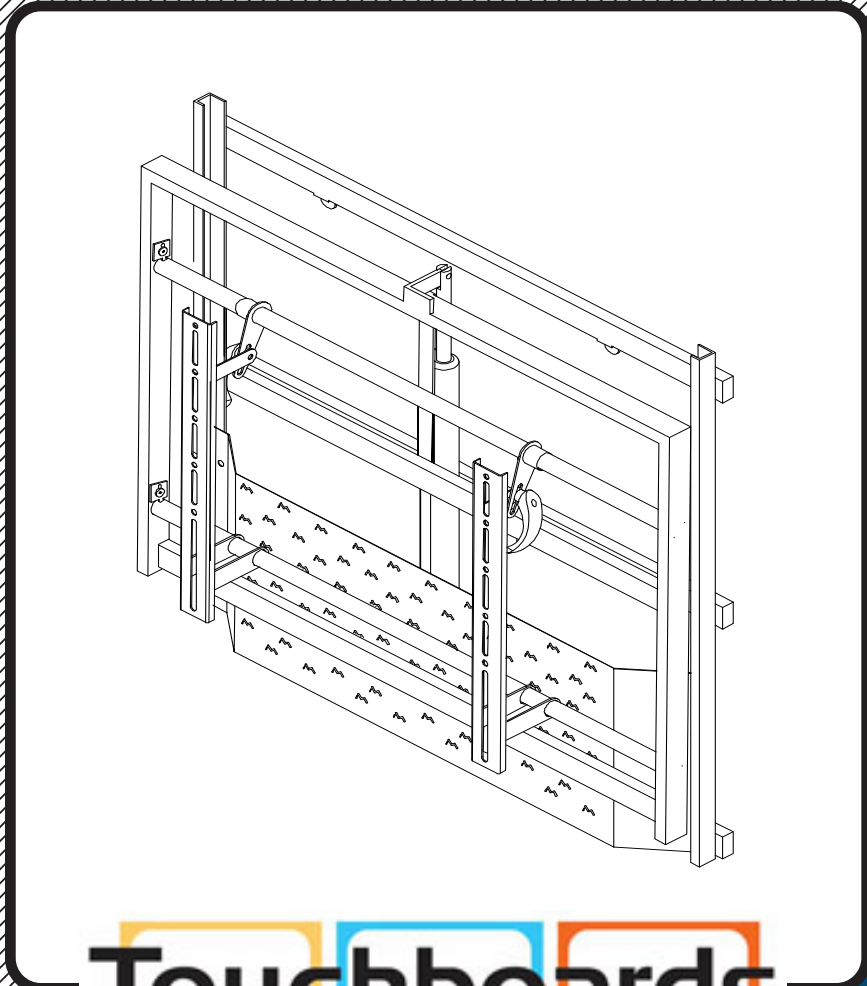




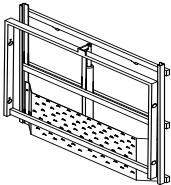
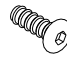


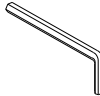



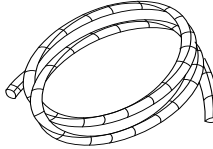


# Electric TV Wall Mount



205 Westwood Ave, Long Branch, NJ 07740  
Phone: 866-94 BOARDS (26273) / (732)-222-1511  
Fax: (732)-222-7088 | E-mail: [sales@touchboards.com](mailto:sales@touchboards.com)

# Assembly Instructions

# Electric TV Wall Mount

Part	Drawing	Description	Qty	Part	Drawing	Description	Qty
P1		Electric Mount	1 EA	<b>Hardware List</b>			
				A		Screw M6X8mm	2 EA
				A1		Screw M6X13mm	2 EA
P2		Bottom Wall Bracket	2 EA	B		Allen Wrench	1 EA
P3		Top Wall Bracket	2 EA	C		Bar Lock	2 EA
P4		Left TV Mount	1 EA	D		Cable Wrap	1 EA
P5		Right TV Mount	1 EA	<b>Missing Parts or UPS Damaged Parts</b> For Your Convenience you can EMAIL us at <a href="mailto:support@moorecoinc.com"><b>support@moorecoinc.com</b></a> 24HOURS 7 DAYS A WEEK			
P6		Horizontal Support	2 EA				

## DISCLAIMER

MooreCo, Inc. makes no claim that the information contained herein covers all details, conditions, variations, nor does it provide for every possible contingency in connection with the installation or use of this product.

## IMPORTANT WARNINGS AND CAUTIONS

Failure to provide adequate structural strength for the installation of this unit can result in serious personal injury or damage to the equipment! It is the installer's responsibility to make sure the structure to which this mount is attached can support three times the combined weight of all equipment.

It is also the installer's responsibility to determine the type of wall and the best wall mounting hardware to use for the safe installation of this equipment. Follow the hardware suppliers instructions for the correct predrill and hole depth for your wall and the type anchor you have chosen.

# Electric TV Wall Mount Assembly Diagram

**READ THROUGH INSTRUCTIONS  
FROM BEGINNING TO END BEFORE  
STARTING TO ASSEMBLE UNIT.**

- 1.) Read Wall Mounting Warnings and Disclaimers on Page 2 before mounting your unit to the wall.
- 2.) Insert the two Horizontal Supports (P6) into the left side holes on the Electric Mount (P1). As you slide the bars in, place the Left TV Mount (P4) and the Right TV Mount (P5) on the bars as shown in illustration #1.

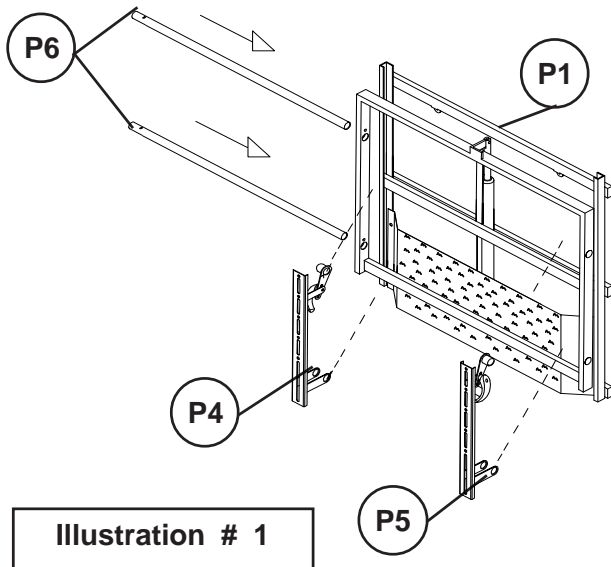


Illustration # 1

- 2a.) Secure Left TV Mount (P4) and Right TV Mount (P5) at desired width by tightening two Screws (A1) with Phillips Screwdriver as shown in illustration #1a.

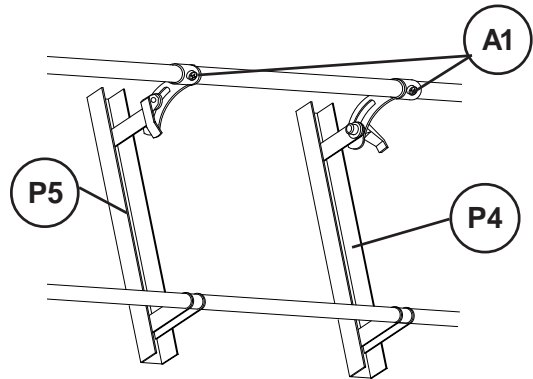


Illustration # 1a

- 3.) Secure the two Horizontal Supports (P6) to the Electric Mount (P1) left side using two Bar Locks (C) and two Screws (A). Place the tab on the bottom of the Bar Lock (C) into the slot in the Horizontal Support (P6) as shown in illustration #2.

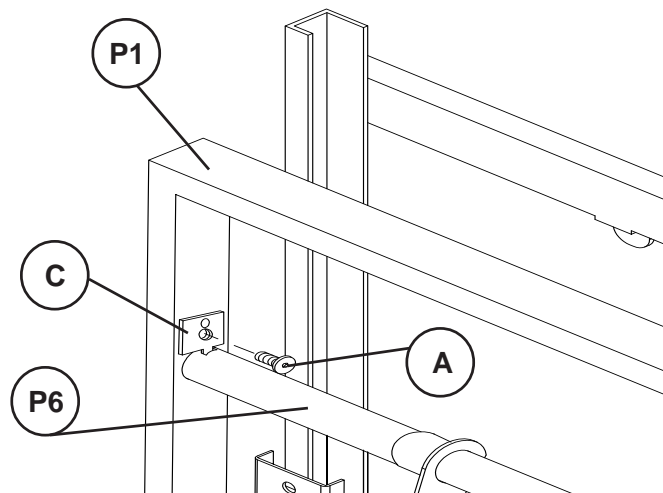


Illustration # 2

4.) Attach the Electric Mount (P1) to the wall using two Bottom Wall Brackets (P2) over the bottom tube of the rear frame and secure to the wall using the appropriate hardware for your type wall. Space the brackets as far apart as possible. Attach two Top Wall Brackets (P3) under the top tube on the rear frame and secure to the wall using the appropriate hardware also as shown in Illustration #3.

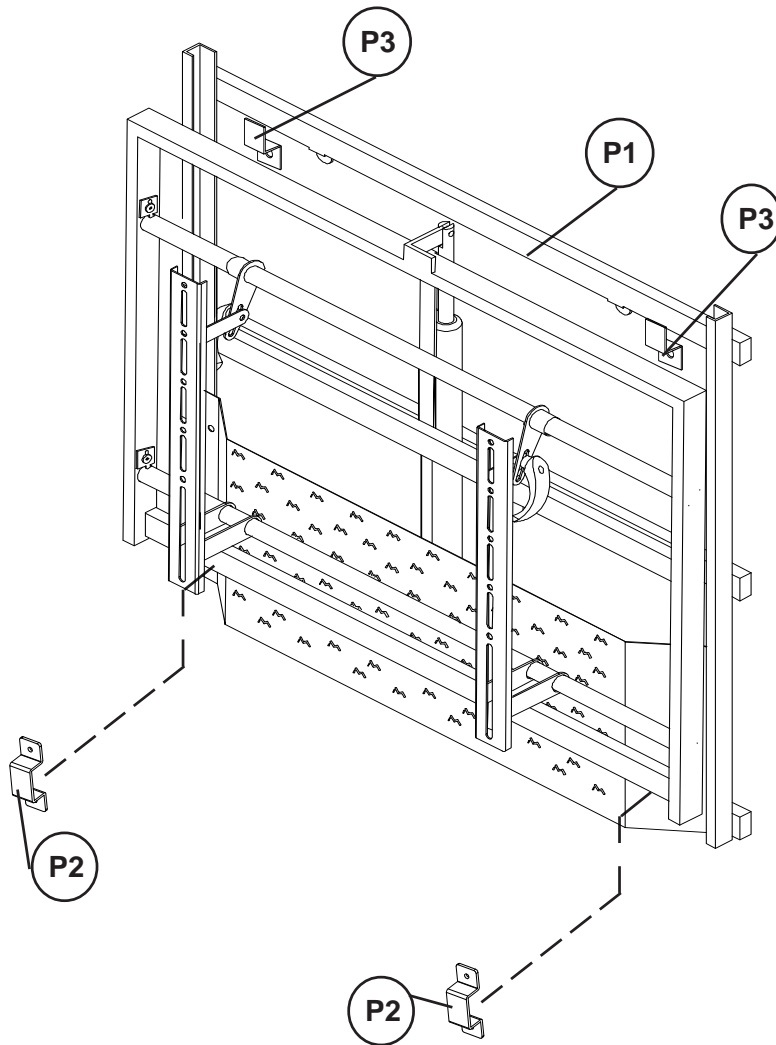


Illustration # 3

5.) Use the Cable Wrap (D) to bind a secure your cables after your TV is installed.

