

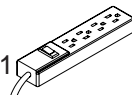
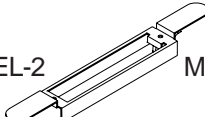


#66450

4 Outlet Electrical Assembly Diagram

***This 4 Outlet Electrical is Part # 66450
and must be purchased separately.***

***Please contact our
Customer Service Department
Monday - Friday
8 a.m. - 5 p.m.
Central Standard Time
1-800-749-2258***

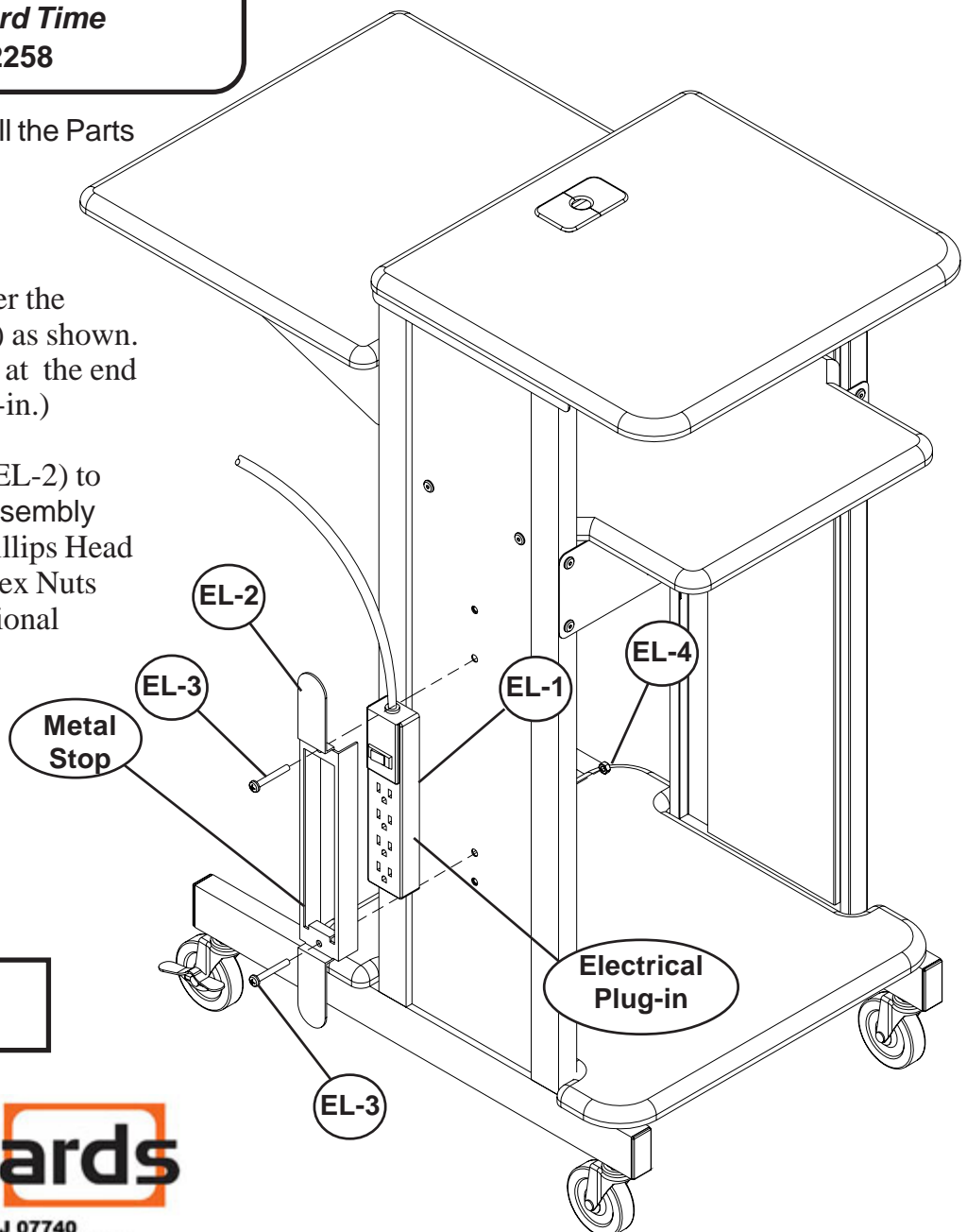
Parts/Hardware List

EL-1		Electric Outlet	1 EA
EL-2		Metal Bracket w/Cord Winder	1 EA
EL-3		Phillips Head Screw	2 EA
EL-4		Hex Nut	2 EA

1.) Identify and Separate all the Parts and Hardware.

2.) Slide Metal Bracket over the Electrical Outlet (EL-1) as shown. (note that Metal Stop is at the end with the electrical Plug-in.)

3.) Attach Metal Bracket (EL-2) to the Right or Left Leg Assembly (P-1 or P-2) using 2 Phillips Head Screws (EL-3) and 2 Hex Nuts (EL-4) as shown in Optional Electrical illustration.



Optional Electrical
Illustration

Touchboards

205 Westwood Ave, Long Branch, NJ 07740
Phone: 866-94 BOARDS (26273) / (732)-222-1511
Fax: (732)-222-7088 | E-mail: sales@touchboards.com