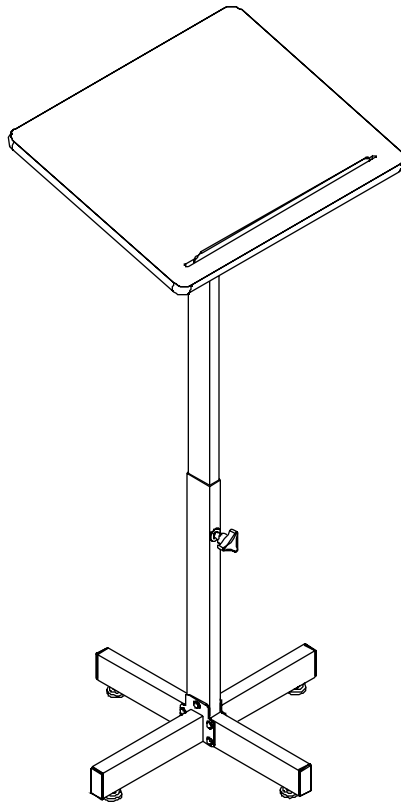


BALT[®]

T-LECT #85751

Adjustable Height Speaker Stand



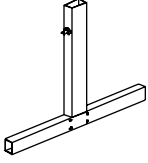




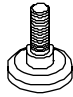
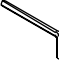
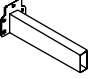
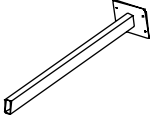
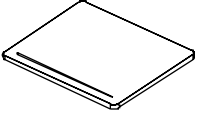
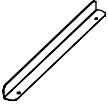
Touchboards

205 Westwood Ave, Long Branch, NJ 07740
Phone: 866-94 BOARDS (26273) / (732)-222-1511
Fax: (732)-222-7088 | E-mail: sales@touchboards.com

Assembly Instructions

T-LECT

Adjustable Height Speaker Stand

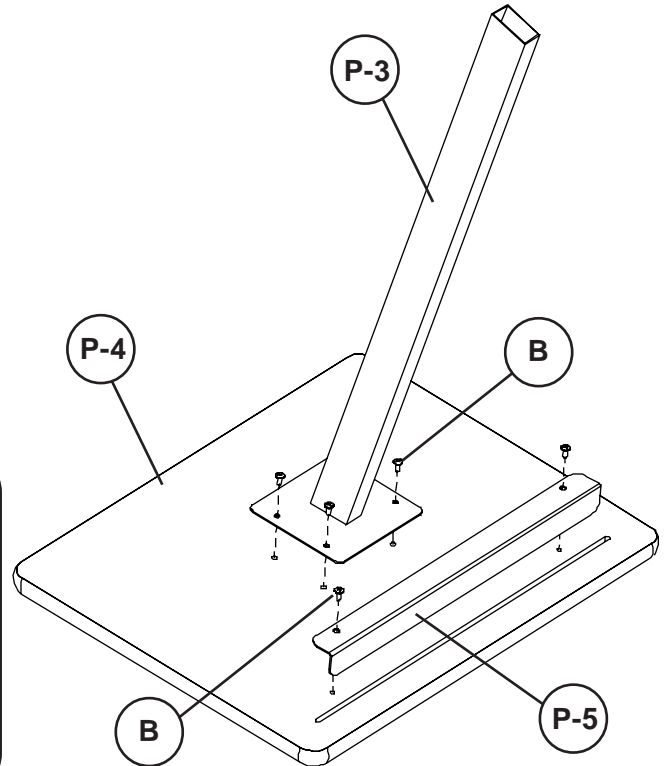
Part Drawing	Description	Qty	Part Drawing	Description	Qty
P-1	 Lower Receiver	1 EA	<div style="border: 2px solid black; border-radius: 15px; padding: 10px;"> <p style="text-align: center;">Hardware List</p> <p>A  Flat Head Screw 5 EA</p> <p>B  Wood Screw 6 EA</p> <p>C  Interior Threaded Post 5 EA</p> <p>D  Plastic Knob 1 EA</p> <p>E  Leveling Feet 4 EA</p> <p>F  Allen Wrench 1 EA</p> <p style="text-align: center;">Tools required: 1 Phillips Screwdriver</p> </div>		
P-2	 Short Foot Assembly	2 EA			
P-3	 Upper Insert	1 EA			
P-4	 Top Platform	1 EA			
P-5	 Pencil Stop	1 EA			

READ THROUGH INSTRUCTIONS FROM BEGINNING TO END BEFORE STARTING TO ASSEMBLE UNIT.

To Assemble:

1. Identify and Separate all the Parts and Hardware.
2. Place the Top Platform (P-4) with the insert nuts facing up. Attach Upper Insert (P-3) using 4 Wood Screws (B) as shown in illustration # 1. (Tighten Wood Screws using Phillips Screwdriver)
3. Attach Pencil Stop (P-5) to the Top Platform (P-4) using 2 Wood screws (B). (Tighten Wood Screws using Phillips Screwdriver)

Illustration # 1 - Top Assembly



Should you require assistance during assembly, please call our Customer Service Department Monday - Friday 8 a.m. - 5 p.m. Central Standard Time

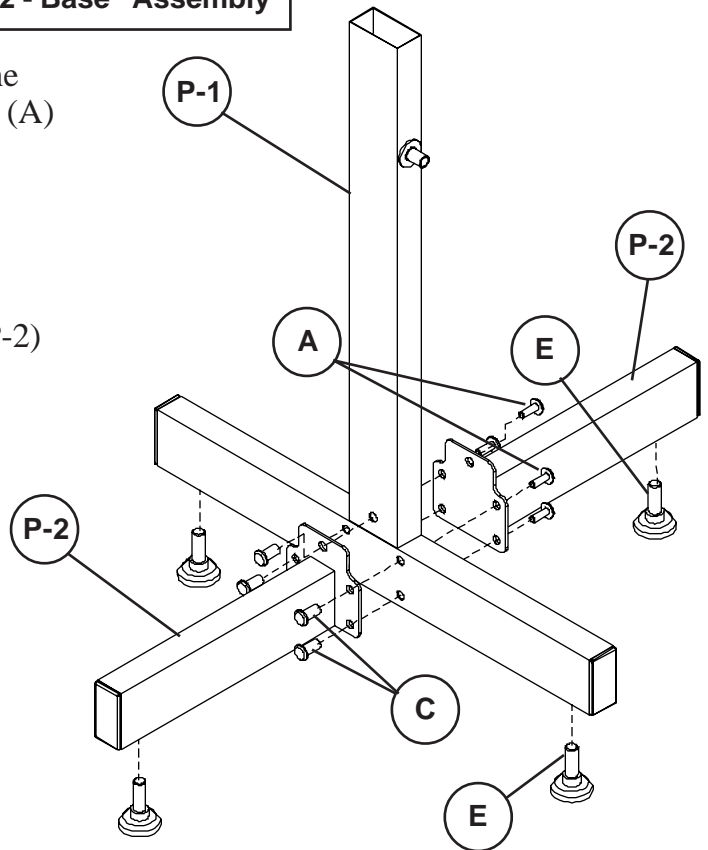
**Toll-Free Customer Service
1-800-749-2258**

T-Lect Assembly Diagram

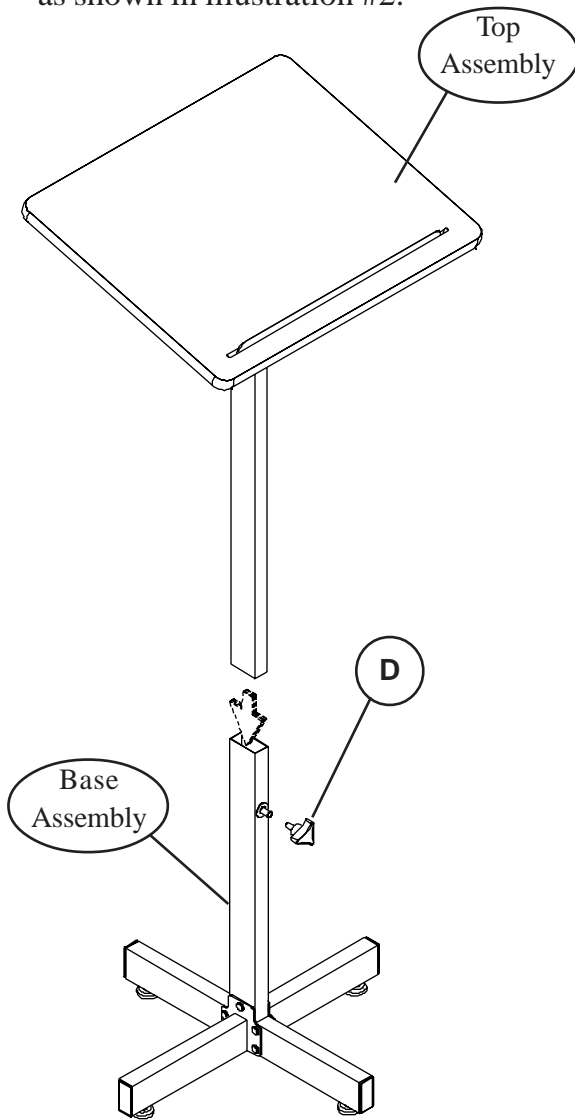


Illustration # 2 - Base Assembly

- Attach 2 each Short Foot Assemblies (P-2) to the Lower Receiver (P-1) using 5 Flat Head screws (A) and 5 Interior Threaded Posts (C) shown in illustration # 2. Tighten Screws using Allen Wrench (F).
- Attach 4 each Leveling Feet (E) to the Lower Receiver (P-1) and 2 Short Foot Assemblies (P-2) as shown in illustration #2.



- Slide the Top Assembly into the Base Assembly and Secure at desired height using Plastic Knob (D).

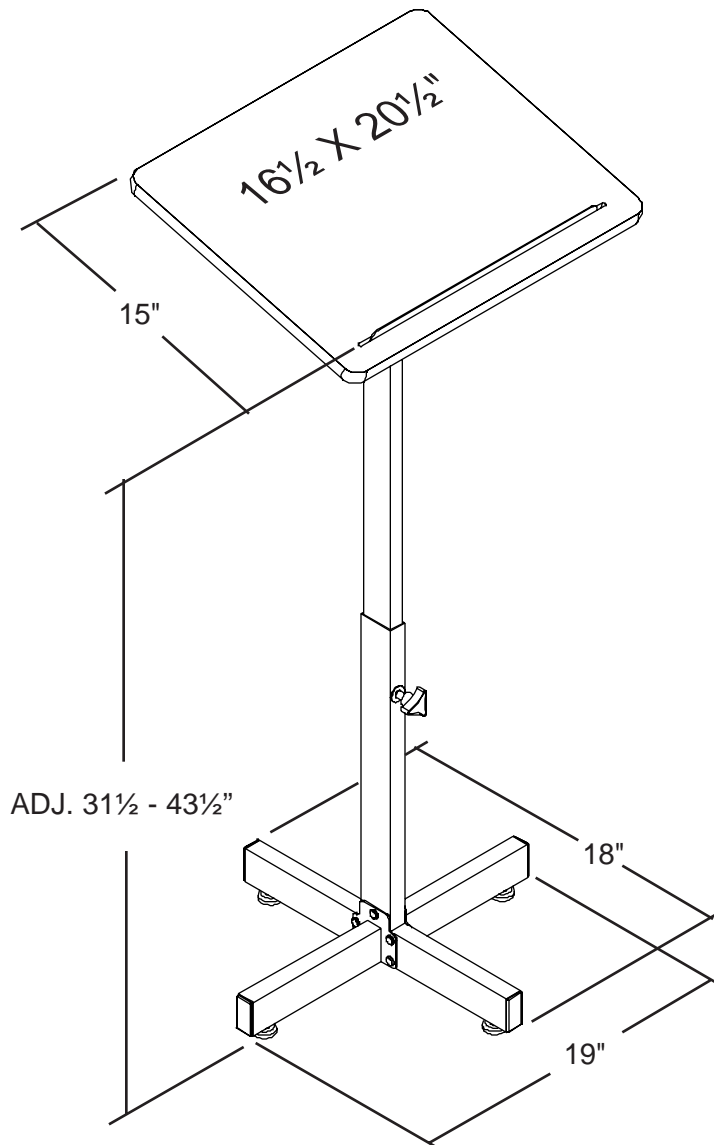


**Illustration # 3
Final Assembly**

Do not use unless all screws are tight. At least every six months, check all screws to be sure they are tight. If parts are missing, broken, damaged, or worn, stop use of the product until repairs are made by your dealer using factory authorized parts.

T-LECT

Adjustable Height Speaker Stand



Shipping Information
2.1 Cubic Feet
17 lbs.



205 Westwood Ave, Long Branch, NJ 07740
Phone: 866-94 BOARDS (26273) / (732)-222-1511
Fax: (732)-222-7088 | E-mail: sales@touchboards.com

