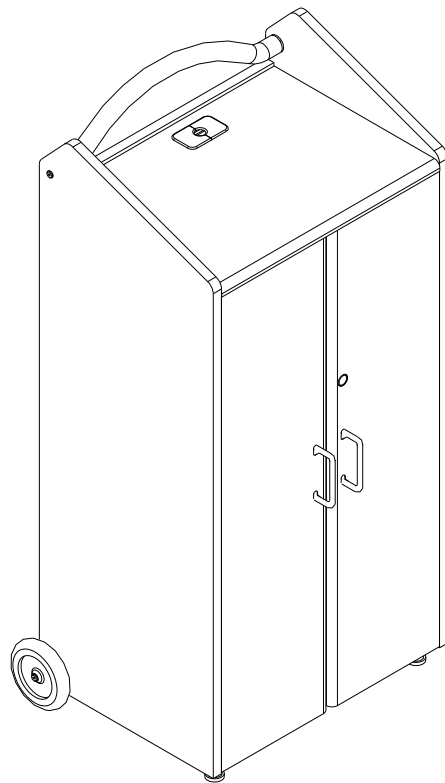




ROLZ-2

Portable AV/Conference Center



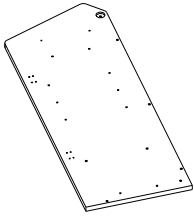
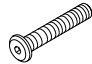
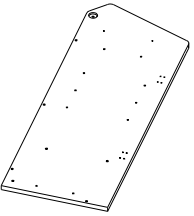

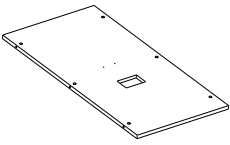
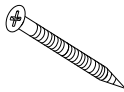
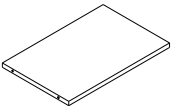

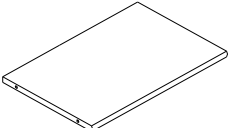

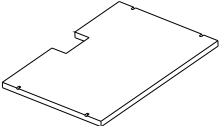

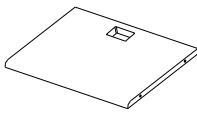

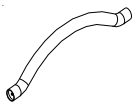

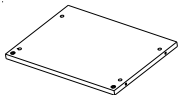

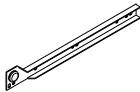
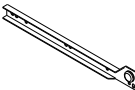
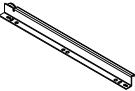
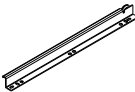


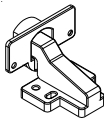


Assembly Instructions



205 Westwood Ave, Long Branch, NJ 07740
Phone: 866-94 BOARDS (26273) / (732)-222-1511
Fax: (732)-222-7088 | E-mail: sales@touchboards.com

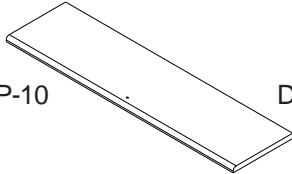
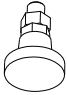
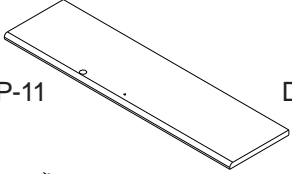
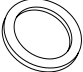
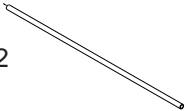

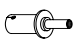
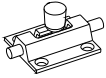
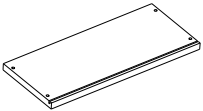
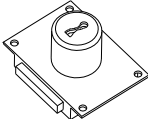
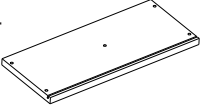

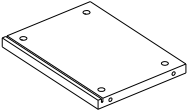
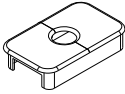
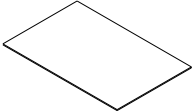

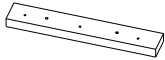
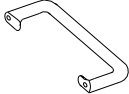

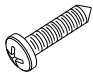
Rolz-2

Portable AV/Conference Center

Part	Drawing	Description	Qty	Part	Hardware List	Qty
P-1		Left Side Panel	1 EA	A	 1 1/2" Flat Head Screw	2 EA
P-2		Right Side Panel	1 EA	A-1	 Pan Head Allen Screw	2 EA
P-3		Back Panel	1 EA	A-2	 Long Wood Screw	8 EA
P-4		Keyboard Shelf	1 EA	A-3	 Short Wood Screw	32 EA
P-5		Fixed Shelf	1 EA	A-4	 Pan Head Short Wood Screw	8 EA
P-6		Removable shelf	1 EA	A-5	 M4 Phillips Head Screw	2 EA
P-7		Top Platform	1 EA	B	 Keyboard Slides	2 EA
P-8		Handle	1 EA	C	 Shelf Support Pins	4 EA
P-9		Bottom Panel	1 EA	D	 5" Wheel	2 EA
				E	 Drawer Slide Outer Left	1 EA
				F	 Drawer Slide Outer Right	1 EA
				G	 Drawer Slide Inner Left	1 EA
				H	 Drawer Slide-Inner Right	1 EA
				K	 Cam Lock	26 EA
				L	 Cam Post	26 EA
				M	 Door Hinge	4 EA
				N	 Large Allen Wrench	1 EA
				N-1	 Small allen Wrench	1 EA

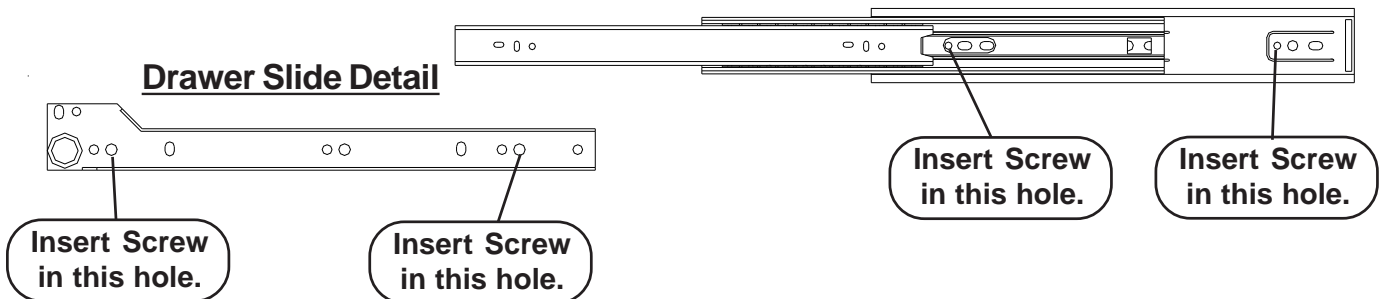
Rolz-2

Portable AV/Conference Center

Part Drawing	Description	Qty	Part	Hardware List	Qty
	Door-Left	1 EA	R	 Glide	2 EA
	Door-Right	1 EA	S	 Washer 25mm	2 EA
	Axle Tube	1 EA	S-1	 Lock Washer	2 EA
	Stub Axle	2 EA	T	 Door Catch	1 EA
	Drawer Back	1 EA	U	 Door Lock	1 EA
	Drawer Front	1 EA	V	 Key	2 EA
	Drawer Side	2 EA	W	 Plastic Grommet	2 EA
	Drawer Bottom	1 EA	X	 Drawer Knob	1 EA
	Slide Spacer	4 EA	Y	 Door Handle	2 EA
			Z	 Screw (drawer knob)	1 EA
			Z1	 Screw (door handle)	4 EA

Keyboard Slide Detail

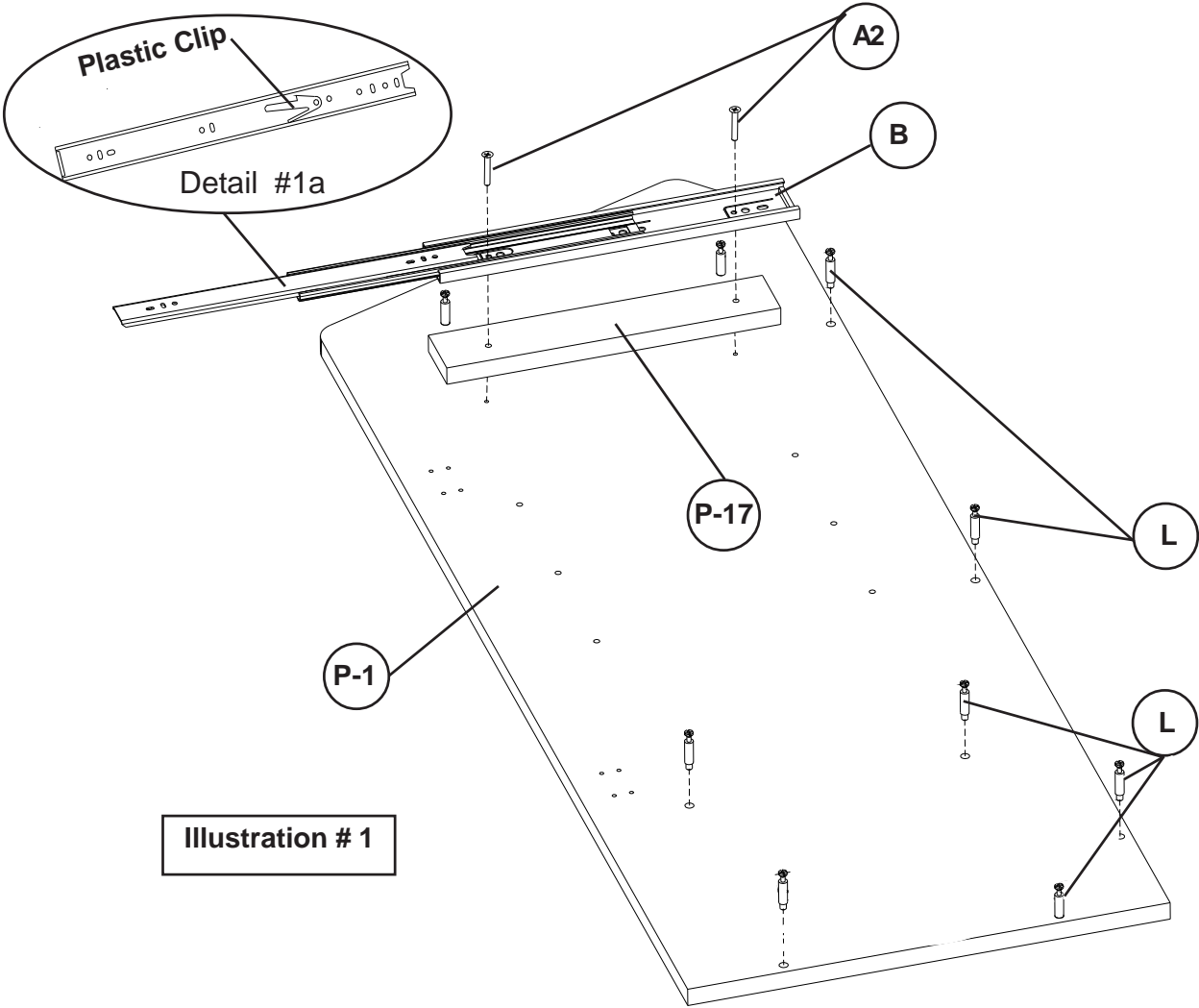
Drawer Slide Detail



ROLZ-2 Assembly Diagram

To Assemble:

1. Identify and Separate all the Parts and Hardware.
2. Place the Left Side Panel (P-1) with the predrilled holes facing up. Attach one Slide Spacer (P-17) and one Keyboard Slide (B) to the Left Side Panel (P-1) using two Wood Screws (A2) as shown in illustration #1. You must release the Plastic Clip on the inside of the small front section of the slide and pull it out enough to reveal the front screw hole. See Detail #1a .



3. Install 9 each Cam Posts (L) in the 9 threaded insert nuts (Pre-installed) as shown in illustration # 1.
4. Repeat Steps 1 through 3 for the Right Side Panel (P-2).

5. Place the Back Panel (P-3) with the Holes facing up and install 6 each Cam Locks (K) into the large holes (Pre-installed) as shown in illustration # 2.

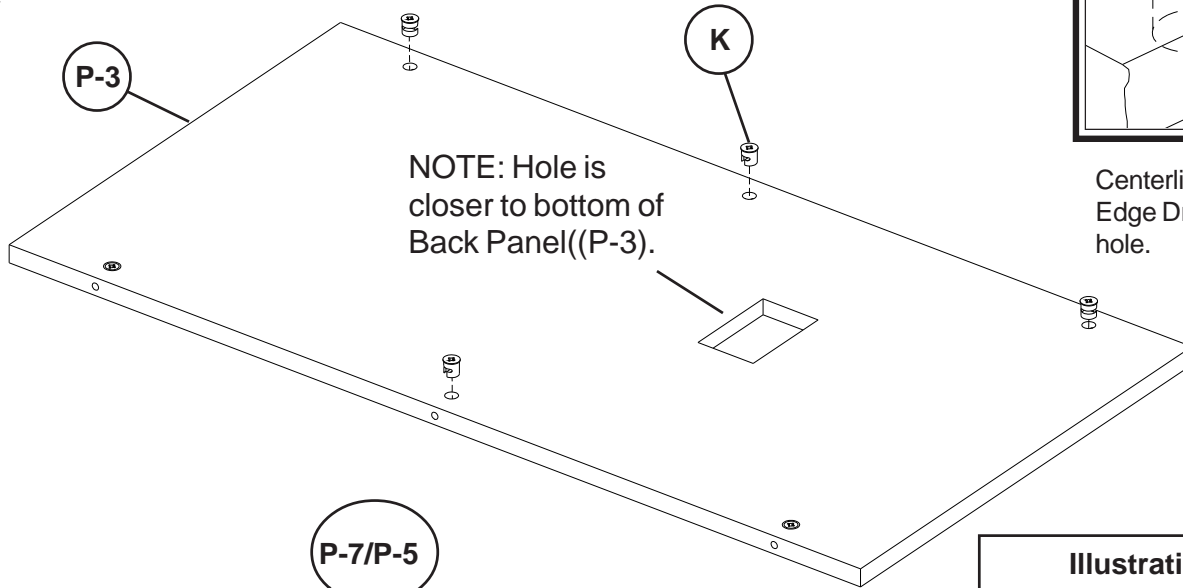


Illustration # 2

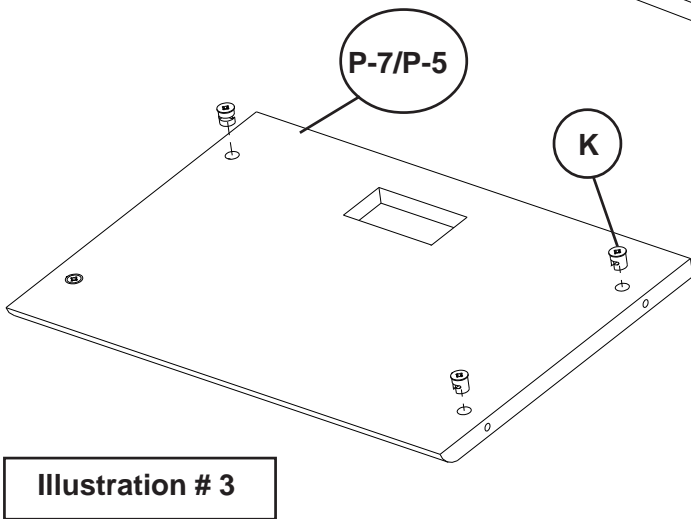


Illustration # 3

6. Place the Top Platform (P-7) and the Fixed Shelf (P-5) with the Pre-drilled Holes facing up and install 4 Cam Locks (K) into the 4 large holes in each as shown in illustration # 3.

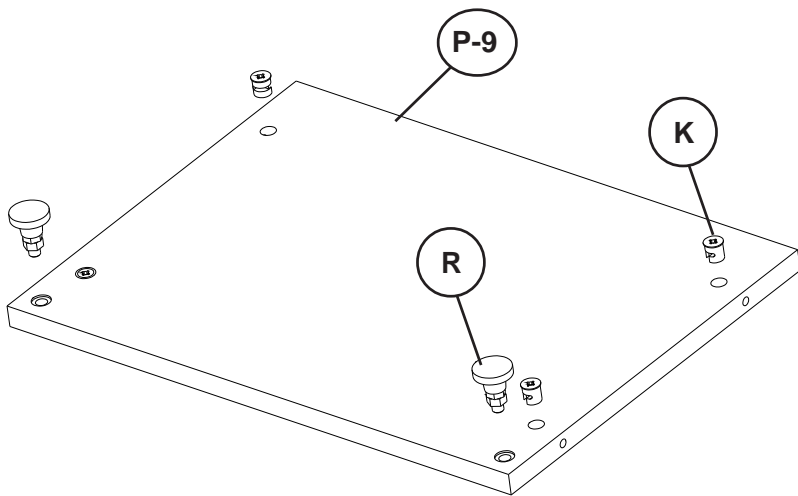
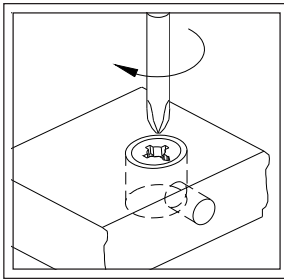


Illustration # 4

7. Place the Bottom Platform (P-9) with the Pre-drilled Holes facing up and install 4 each Cam Locks (K) into the 4 large holes.

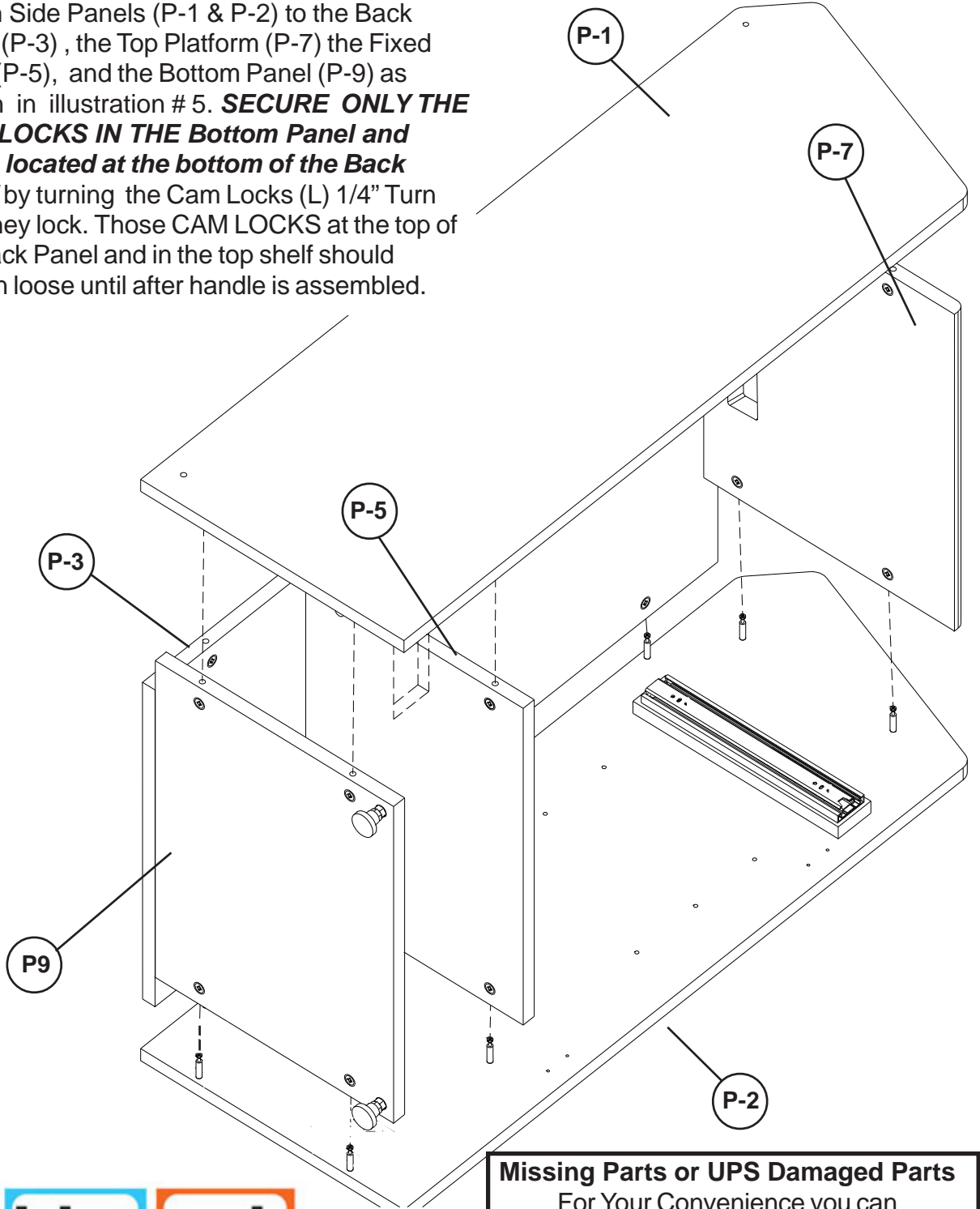
8. Install 2 each Glides (R) as shown in illustration # 4.



To Secure Cam Locks, Insert Large Phillips Head Screwdriver and turn Cam Lock 1/4 turn (90 degrees) clockwise.

Illustration # 5

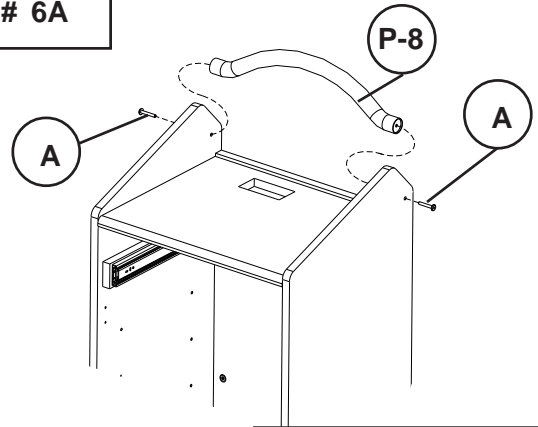
9. Attach Side Panels (P-1 & P-2) to the Back Panel (P-3), the Top Platform (P-7) the Fixed Shelf (P-5), and the Bottom Panel (P-9) as shown in illustration # 5. **SECURE ONLY THE CAM LOCKS IN THE Bottom Panel and those located at the bottom of the Back Panel** by turning the Cam Locks (L) 1/4" Turn until they lock. Those CAM LOCKS at the top of the Back Panel and in the top shelf should remain loose until after handle is assembled.



Missing Parts or UPS Damaged Parts
 For Your Convenience you can
 EMAIL us at
support@moorecoinc.com
 24HOURS 7 DAYS A WEEK

10. Attach Handle (P-8) to the Side Panels (P-1 & P-2) using 2 each Screws (A) as shown in illustration # 6. Tighten Screws (A) using Small Allen Wrench (N1).

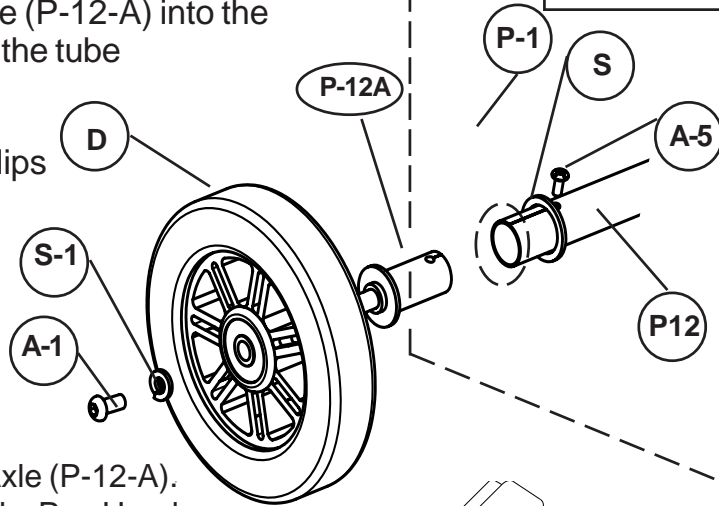
Illustration # 6A



SECURE THE CAM LOCKS located at the top of the Back Panel and in the top shelf by turning Cam Locks (L) 1/4" Turn until they lock.

Illustration # 6B

11. Take tube Axle (P-12) and slide two Washers (S) on. Place the Axle with Washers inside the assembled Rolz-2 body and into the Axle hole in the Left Side Panel (P-1). Place one Stub Axle (P-12-A) into the outside Axle hole in P-1 and into the tube Axle (P-12). Slide one of the Washers (S) over against the inside of P-1. Insert one M4 Phillips Head Screw (A-5) into the drilled hole in P-12 and screw into the threaded hole in Stub Axle (P-12-A). Repeat Step 12A for Right Side Panel (P-2).



12. Slide a Wheel (D) on each Stub Axle (P-12-A). Use a Lock Washer (S-1) and a Pan Head Allen Screw (A-1) to secure each Wheel (D) to both Stub Axles (P-12-A).

- 13A. Squeeze Plastic Clip as shown by arrows in illustration # 7A to release inner keyboard slide (Squeeze up on the left side/down on the right side).

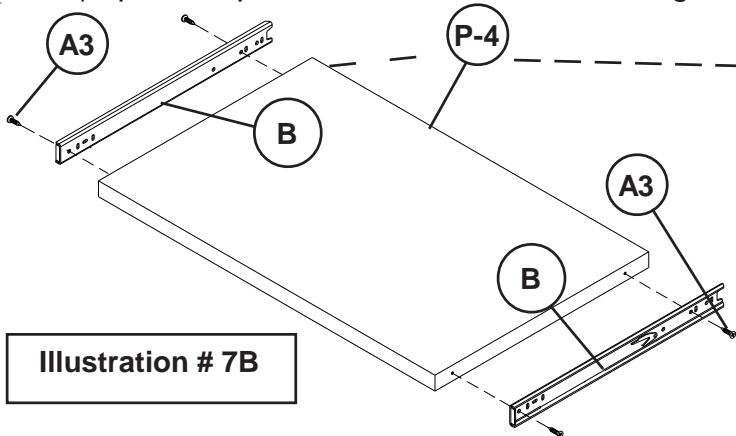
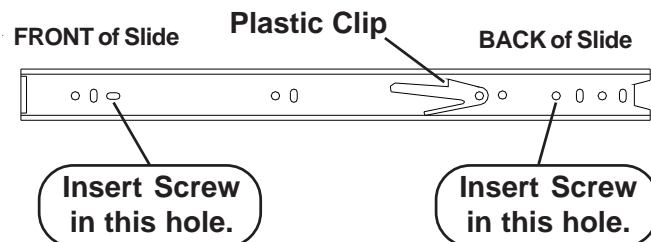


Illustration # 7A



- 13B. Attach Keyboard Shelf (P-4) to the Keyboard Slides (B) using 4 each screws (A3) as shown in illustration # 7B. [Slide Keyboard Shelf Assembly back into the Keyboard Slides.]

Illustration # 8

14. Attach Left Door (P-10) to the Left Side Panel (P-1) using 2 each Door Hinges (M) and 12 each Short Wood Screws (A3) as shown in illustration #8.

15. Attach Door Catch (T) to Left Door (P-10) using 4 each Short Wood Screws (A4) as shown in illustration # 8.

16. Attach Door Handle (Y) to Left Door (P-10) using 2 screw (Z1). Install 1 Slide Spacers (P-17) and 1 Drawer Slide (E) to Left Side Panel (P-1) and secure using 2 Wood Screws (A2).

16A. Repeat this Step for Right Side Panel (P-2).

17. Attach Right Door (P-11) to the Right Side Panel (P-2) using 2 each Door Hinges (M) and 12 each Short Wood Screws (A3) as shown in illustration # 9.

18. Attach Door Lock (U) to Right Door (P-11) using 4 each Short Wood Screws (A4) as shown in illustration # 9.

19. Attach Door Handle (Y) to Right Door (P-11) using 2 screws (Z1).

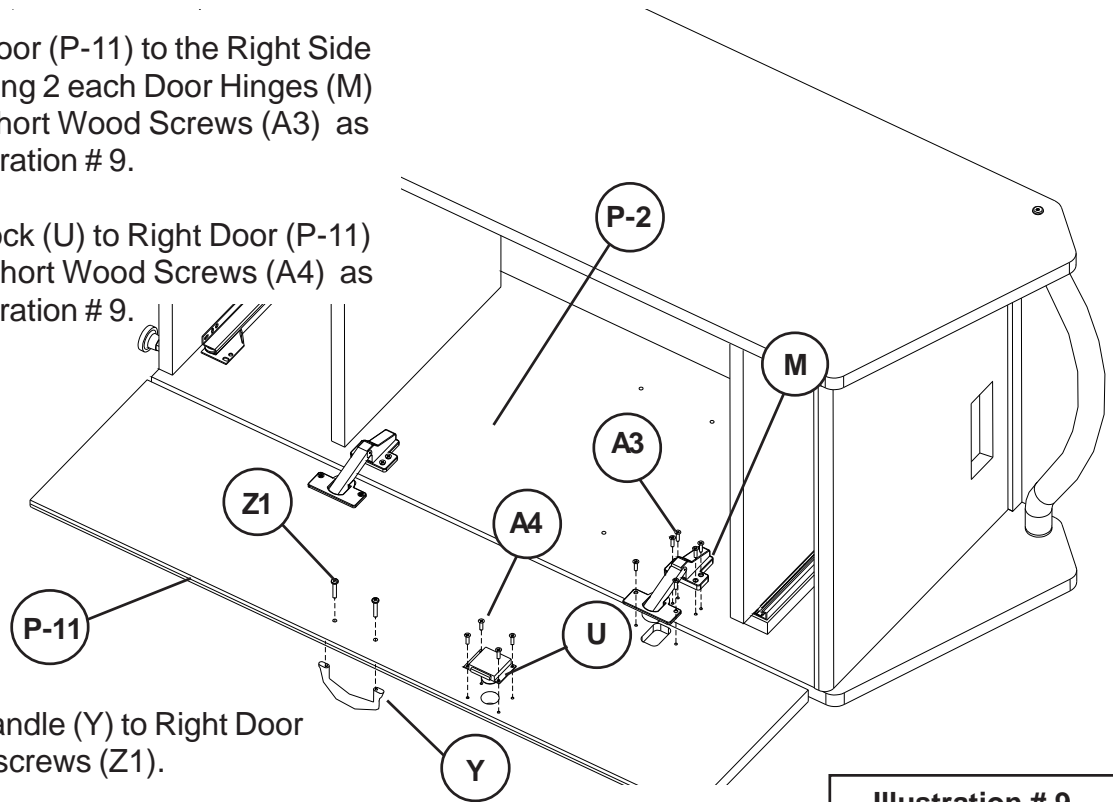
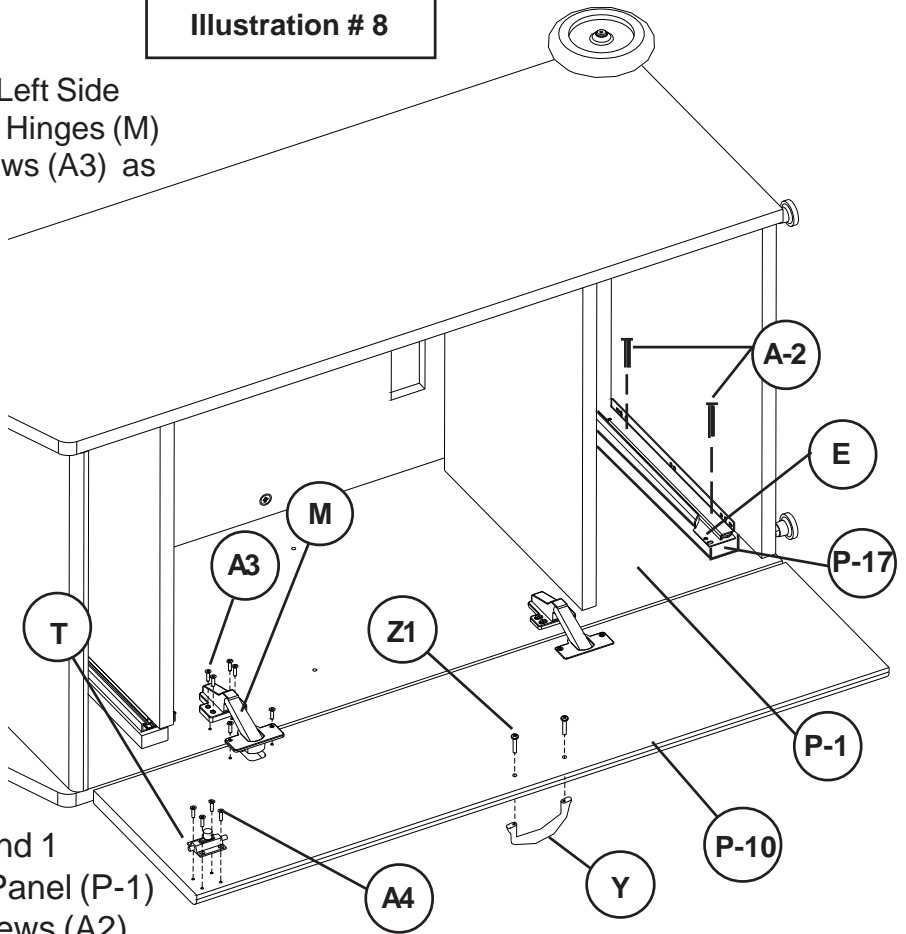


Illustration # 9

20. Place the 2 Drawer Sides (P-15) with the Holes facing up and install 4 each Cam Locks (K) into the large holes (Pre-installed) in each side as shown in illustration # 10.

21. Place the Drawer Back and Front (P-13 & P-14) with the Predrilled holes facing up and install 4 each Cam Posts (L) in the 4 threaded insert nuts (Pre-installed) as shown in illustration # 11.

Illustration # 10

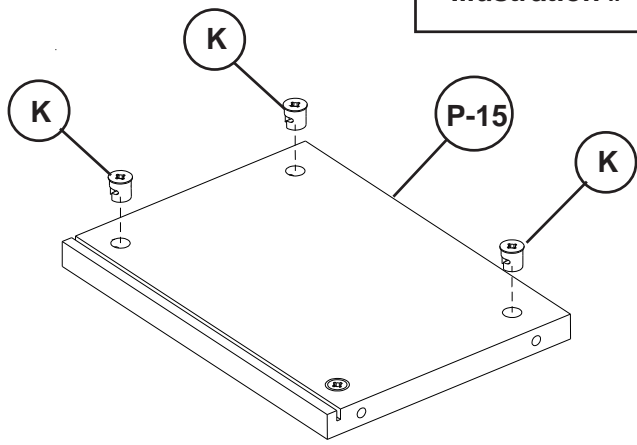
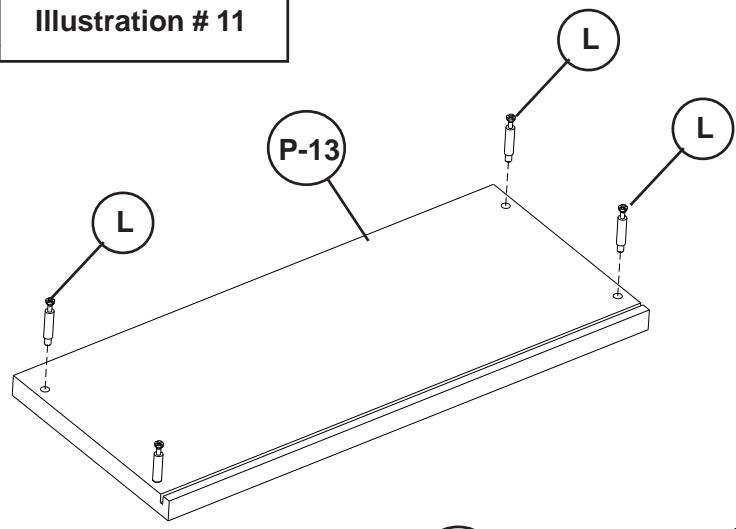


Illustration # 11



22. Attach the Drawer Back (P-13) to the Drawer Sides (P-15) and secure by turning the Cam Locks (K) 1/4 Turn until they lock. as shown in illustration # 12.

23. Slide the Drawer Bottom (P-16) into the slot as shown in illustration # 12.

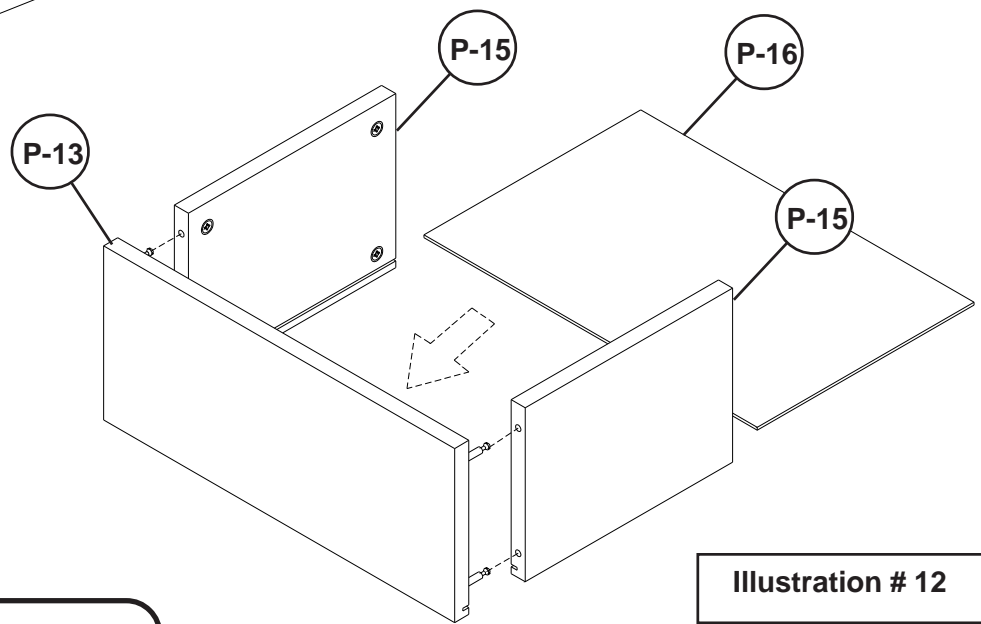


Illustration # 12

Do not use unless all screws are tight. At least every six months, check all screws to be sure they are tight. If parts are missing, broken, damaged, or worn, stop use of the product until repairs are made by your dealer using factory authorised parts.

Should you require assistance during assembly, please call our Customer Service Department Monday - Friday 8 a.m. - 5 p.m. Central Standard Time Toll-Free Customer Service 1-800-749-2258

Illustration # 13

24. Attach the Drawer Front (P-14) to the Drawer Sides (P-15) and secure by turning the Cam Locks (L) 1/4 Turn until they lock. as shown in illustration # 13.

25. Attach Drawer Knob (X) to Drawer Front (P-14) using 1 screw (Z).

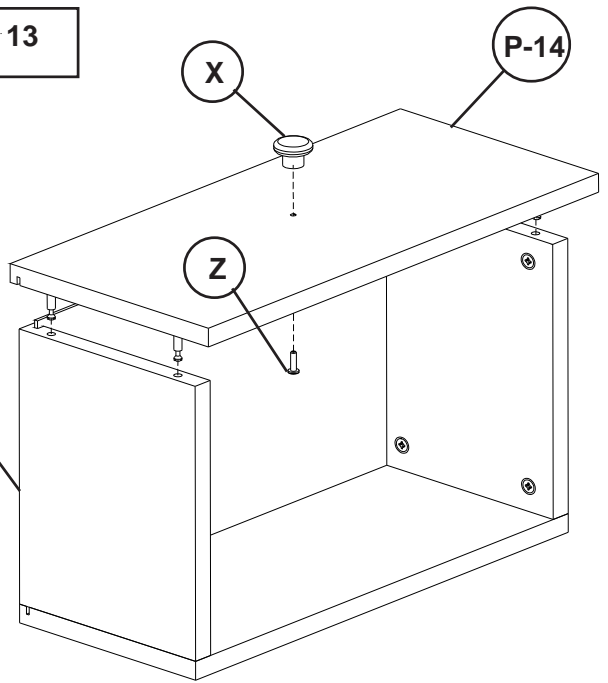
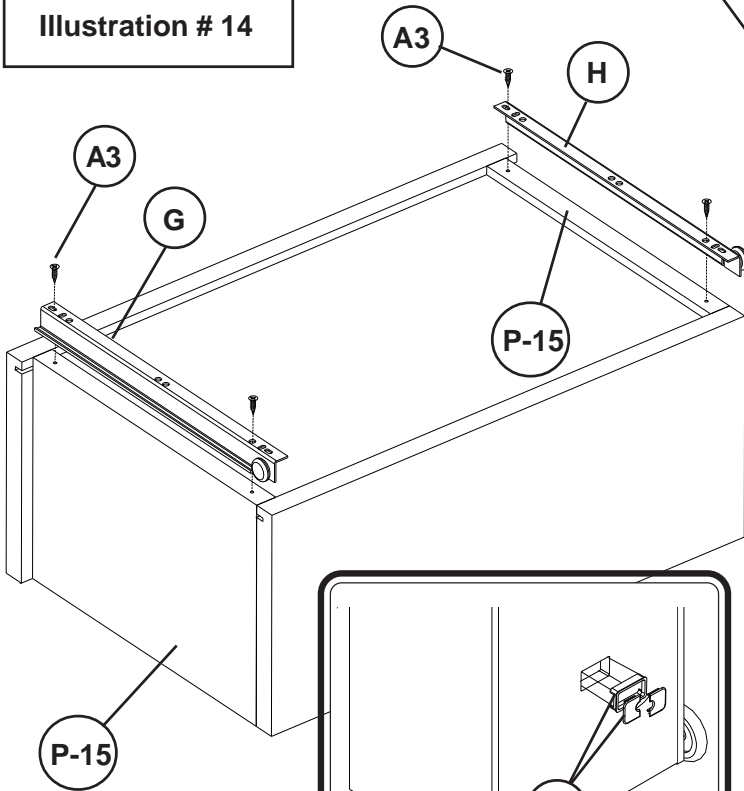


Illustration # 14



26. Attach the Left and Right Drawer Slides (G & H) to the Drawer Sides (P-15) and secure using 4 each screws (A3) as shown in illustration # 14.

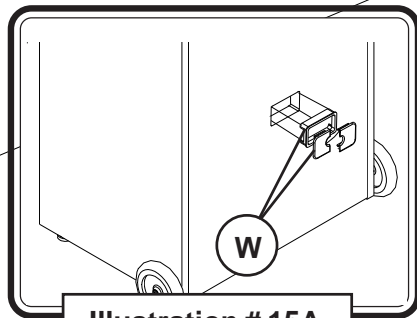


Illustration # 15A

27. Place 2 Shelf Support Pins (C) in each of the two Side Panels (P-1 & P-2) at desired shelf height. Place Removable Shelf (P-6) on four Shelf Support Pins.

28. Insert Drawer Assembly in Drawer Slides (E & F) as shown in illustration # 15.

29. Insert Plastic Grommet (W) into the hole in the Top Shelf (P-7) and the Back Panel (P-3) as shown in illustrations # 15A and 15B.

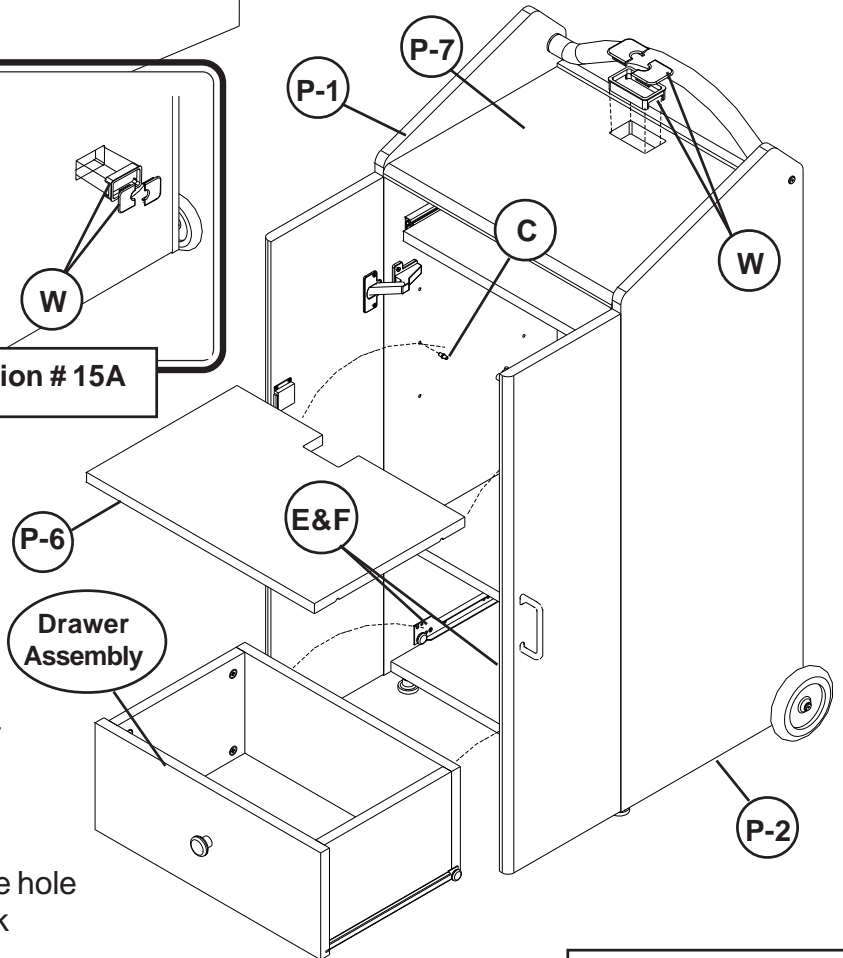


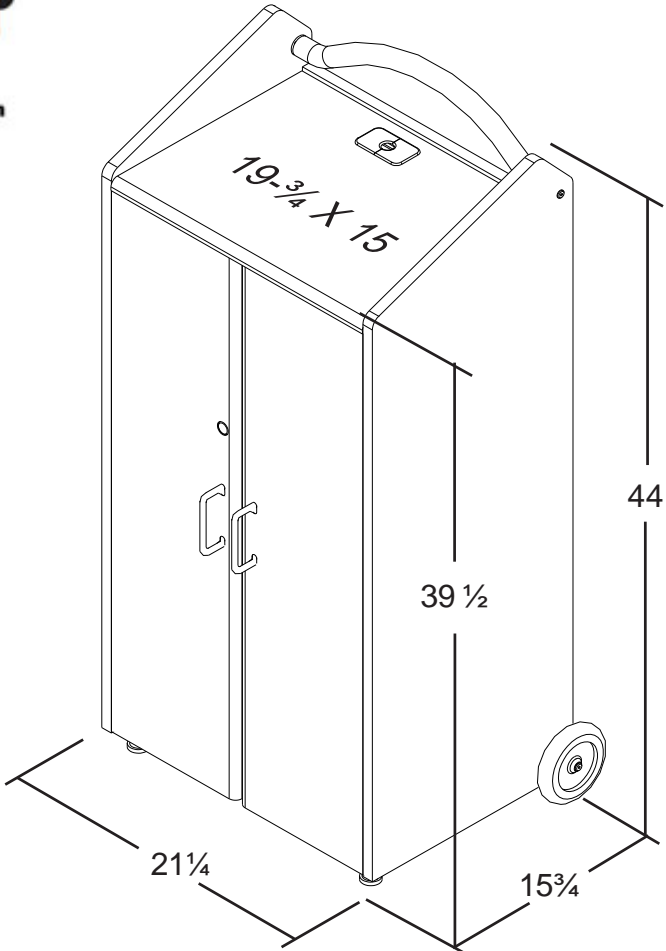
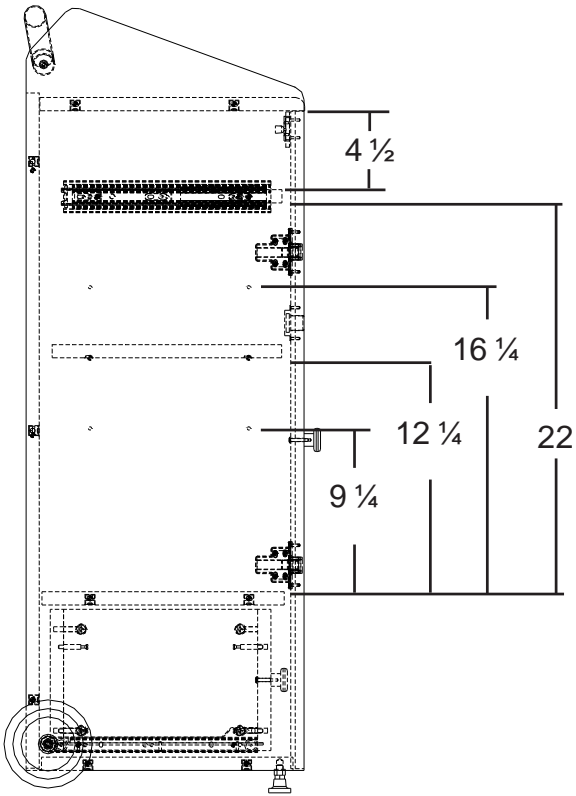
Illustration # 15B

Rolz-2

Portable AV/Conference Center



205 Westwood Ave, Long Branch, NJ 07740
 Phone: 866-94 BOARDS (26273) / (732)-222-1511
 Fax: (732)-222-7088 | E-mail: sales@touchboards.com



Shipping Information
 4.2 Cubic Feet
 92 lbs.

