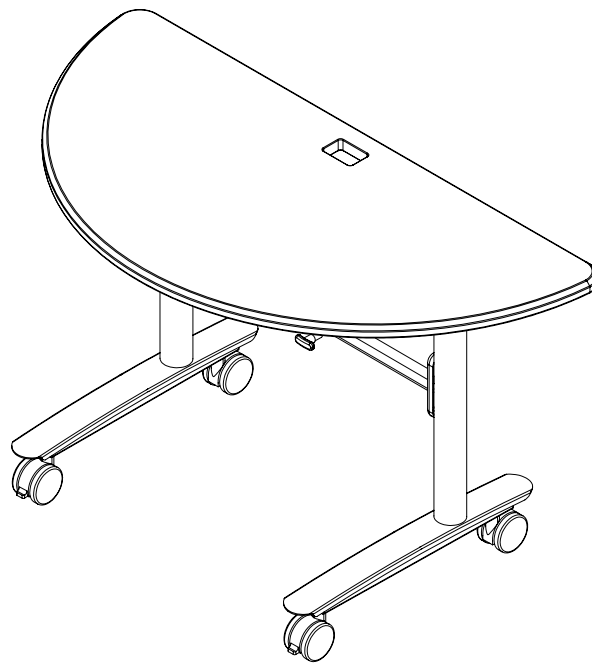




Lumina Flipper-48HR

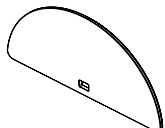

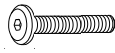




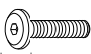

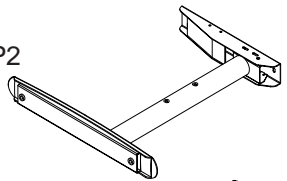
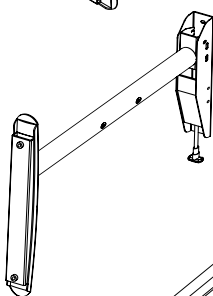
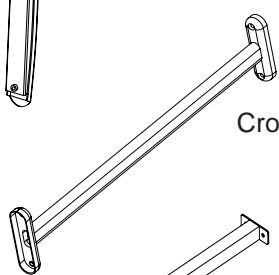
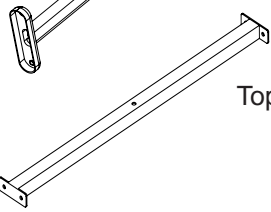
48" Half-round Conference Table



205 Westwood Ave, Long Branch, NJ 07740
Phone: 866-94 BOARDS (26273) / (732)-222-1511
Fax: (732)-222-7088 | E-mail: sales@touchboards.com

Assembly Instructions

Lumina Flipper-48HR

Part	Drawing	Description	Qty	Part	Drawing	Description	Qty
P1		Top Platform	1 EA	Hardware List A  Screw M6X15mm 8 EA B  Screw M6X38mm 1 EA C  3" Locking Caster 2 EA D  3" Non-Locking Caster 2 EA E  Allen Wrench 1 EA F  Caster Wrench 1 EA G  Screw M6X25mm 4 EA H  Caster Lock Washer 4 EA			
P2		Left Leg	1 EA				
P3		Right Leg	1 EA				
P4		Cross Brace	1 EA				
P5		Top Support Brace	1 EA				

We recommend that you assemble this unit on a table.

Missing Parts or UPS Damaged Parts

For Your Convenience you can
EMAIL us at
furniture@baltinc.com
24HOURS 7 DAYS A WEEK

***Should you require assistance during assembly,
please call our Customer Service Department
Monday - Friday 8 a.m. - 5 p.m.
Central Standard Time 1-800-749-2258***

Do not use unless all screws are tight. At least every six months, check all screws to be sure they are tight. If parts are missing, broken, damaged, or worn, stop use of the product until repairs are made by your dealer using factory authorized parts.

Lumina Flipper- Half Round

Assembly Instructions

READ THROUGH INSTRUCTIONS FROM BEGINNING TO END BEFORE STARTING TO ASSEMBLE UNIT.

- 1.) Identify and Separate all the Parts and Hardware.
- 2.) Attach the Cross Brace (P-4) to the Right Leg (P-3) using two Screws (G) as shown in Illustration # 1. Attach the Left Leg (P-2) to the other end of Cross Brace (P-4) using two Screws (G). Attach the Top Support Brace (P-5) between the Right Leg (P-3) and the Left Leg (P-2) using four Screws (A).

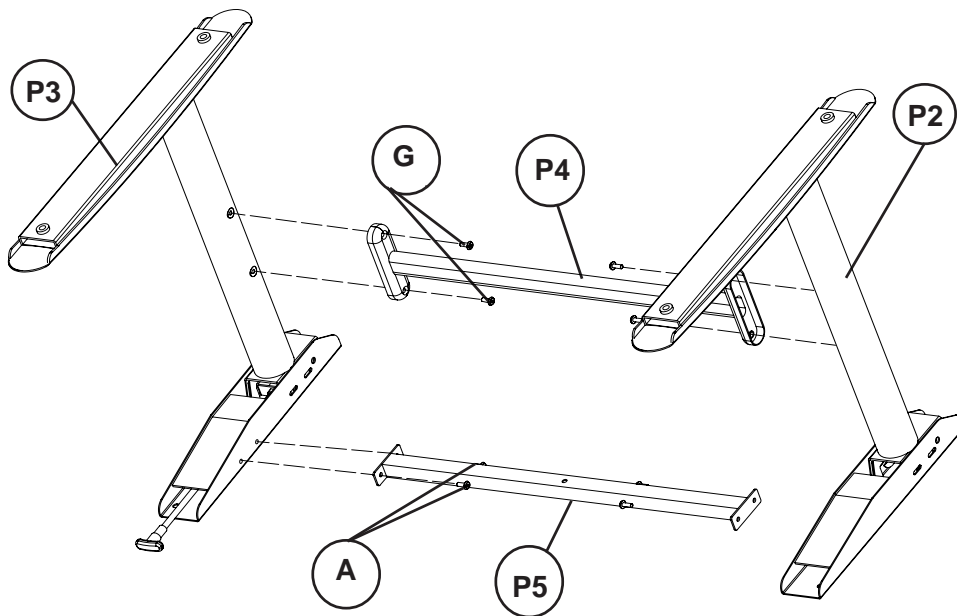


Illustration #1

- 3.) Attach the Right and Left Leg / Brace assembly to the Top Platform (P-1) using one Screw (B) through the Top Support Brace (P-5) and four Screws (A) through the top leg plates. (See Illustration # 2).

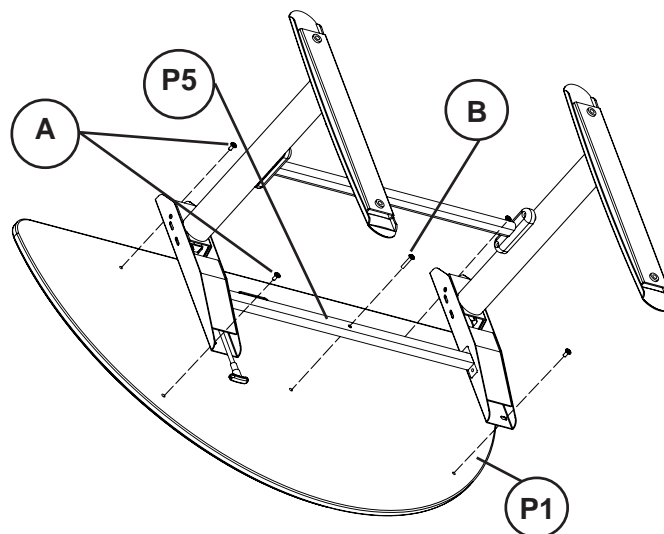


Illustration # 2

Lumina Flipper- 48 HR

- 4.) Place one Caster Lock Washer (H) on each Caster's threaded stem before attaching. Screw in two Locking Casters (C) in the front threaded holes and two Non-Locking Casters (D) in the rear holes of the Right and Left Legs as shown in Illustration # 3. Tighten the Casters using Caster Wrench (F). Set your table on the Casters and tighten all Screws (A,B & G) using Allen Wrench (E).

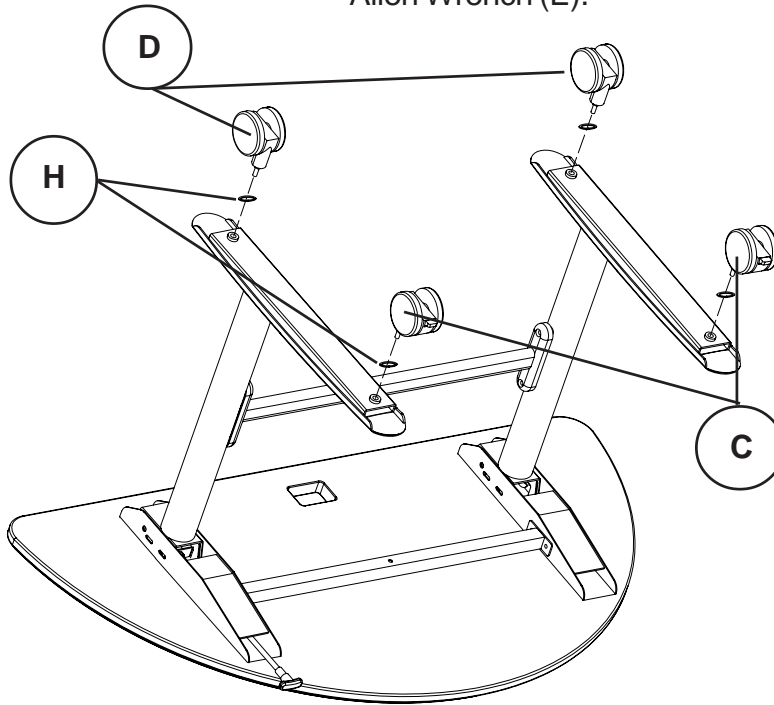


Illustration #3

Touchboards

205 Westwood Ave, Long Branch, NJ 07740
Phone: 866-94 BOARDS (26273) / (732)-222-1511
Fax: (732)-222-7088 | E-mail: sales@touchboards.com