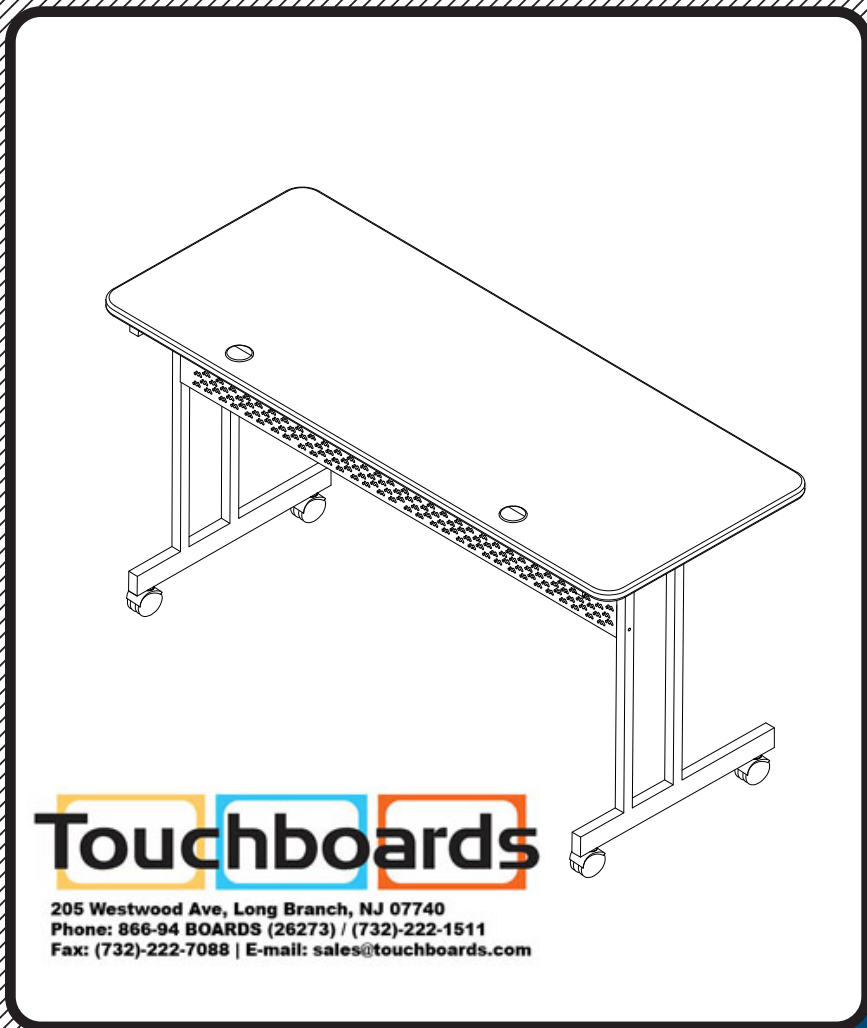




Task Train Table

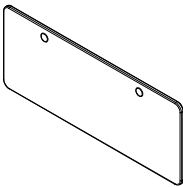
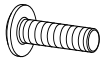




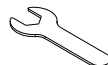
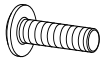




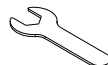
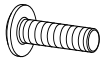




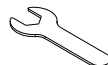
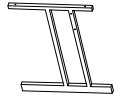
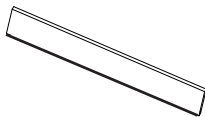


Touchboards

205 Westwood Ave, Long Branch, NJ 07740
Phone: 866-94 BOARDS (26273) / (732)-222-1511
Fax: (732)-222-7088 | E-mail: sales@touchboards.com

Assembly Instructions

Task Train Table

Part	Drawing	Description	Qty	Part	Drawing	Description	Qty																								
P1		Table Top	1 EA	<div style="border: 2px solid black; border-radius: 15px; padding: 10px;"> <p style="text-align: center;">Hardware List</p> <table style="width: 100%; border-collapse: collapse;"> <tr> <td style="width: 5%;">A</td> <td style="width: 15%;"></td> <td style="width: 60%;">M6*38mm Socket Screw</td> <td style="width: 20%;">8 EA</td> </tr> <tr> <td>B1</td> <td></td> <td>Locking Caster</td> <td>2 EA</td> </tr> <tr> <td>B2</td> <td></td> <td>Non-Locking Caster</td> <td>2EA</td> </tr> <tr> <td>C</td> <td></td> <td>Allen Wrench</td> <td>1 EA</td> </tr> <tr> <td>D</td> <td></td> <td>Caster Lock Washer</td> <td>4 EA</td> </tr> <tr> <td>E</td> <td></td> <td>Caster Wrench</td> <td>1 EA</td> </tr> </table> </div>				A		M6*38mm Socket Screw	8 EA	B1		Locking Caster	2 EA	B2		Non-Locking Caster	2EA	C		Allen Wrench	1 EA	D		Caster Lock Washer	4 EA	E		Caster Wrench	1 EA
A		M6*38mm Socket Screw	8 EA																												
B1		Locking Caster	2 EA																												
B2		Non-Locking Caster	2EA																												
C		Allen Wrench	1 EA																												
D		Caster Lock Washer	4 EA																												
E		Caster Wrench	1 EA																												
P2		Leg	2 EA																												
P3		Modesty Panel	1 EA																												
				<p><i>We recommend that you assemble this unit on a table.</i></p>																											

Do not use unless all screws are tight. At least every six months, check all screws to be sure they are tight. If parts are missing, broken, damaged, or worn, stop use of the product until repairs are made by your dealer using factory authorized parts.

Assembly Diagram

READ THROUGH INSTRUCTIONS FROM BEGINNING TO END BEFORE STARTING TO ASSEMBLE UNIT.

- 1.) Identify and Separate all the Parts and Hardware.
- 2.) Place the Top Panel (P-1) upside down on a padded surface. Attach a Leg (P-2) to the Top Panel (P-1) using two Screws (A) as shown in Illustration #1. Attach the second Leg (P-2) on the opposite side of the Top Panel (P-1) using two more Screws (A). Finger tighten only these Screws at this time.

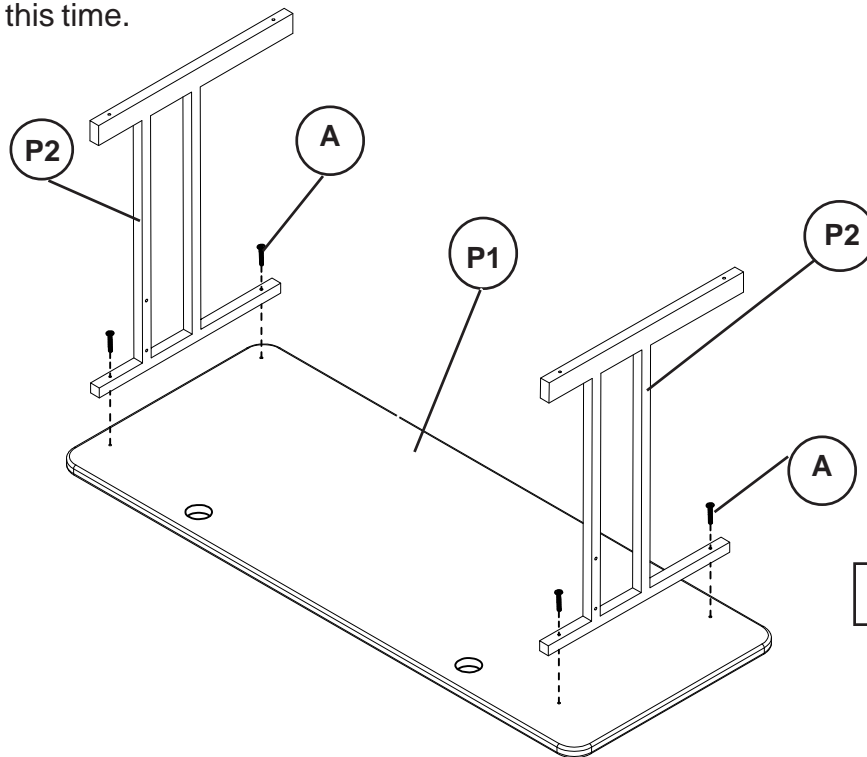


Illustration # 1

- 3.) Place the Modesty Panel (P-3) between the Legs (P-2) and attach it using four Screws (A) as shown in Illustration #2. Tighten all Screws (A) using Allen Wrench (C)

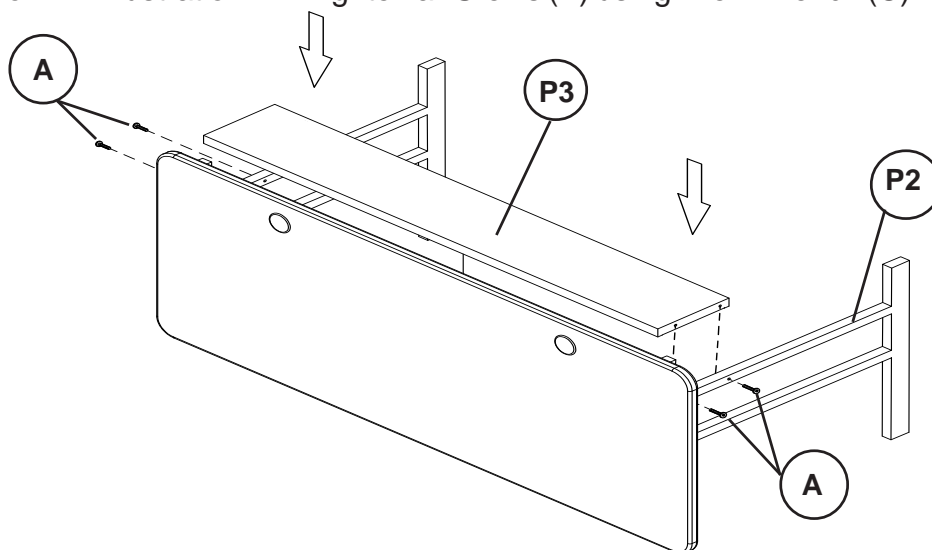
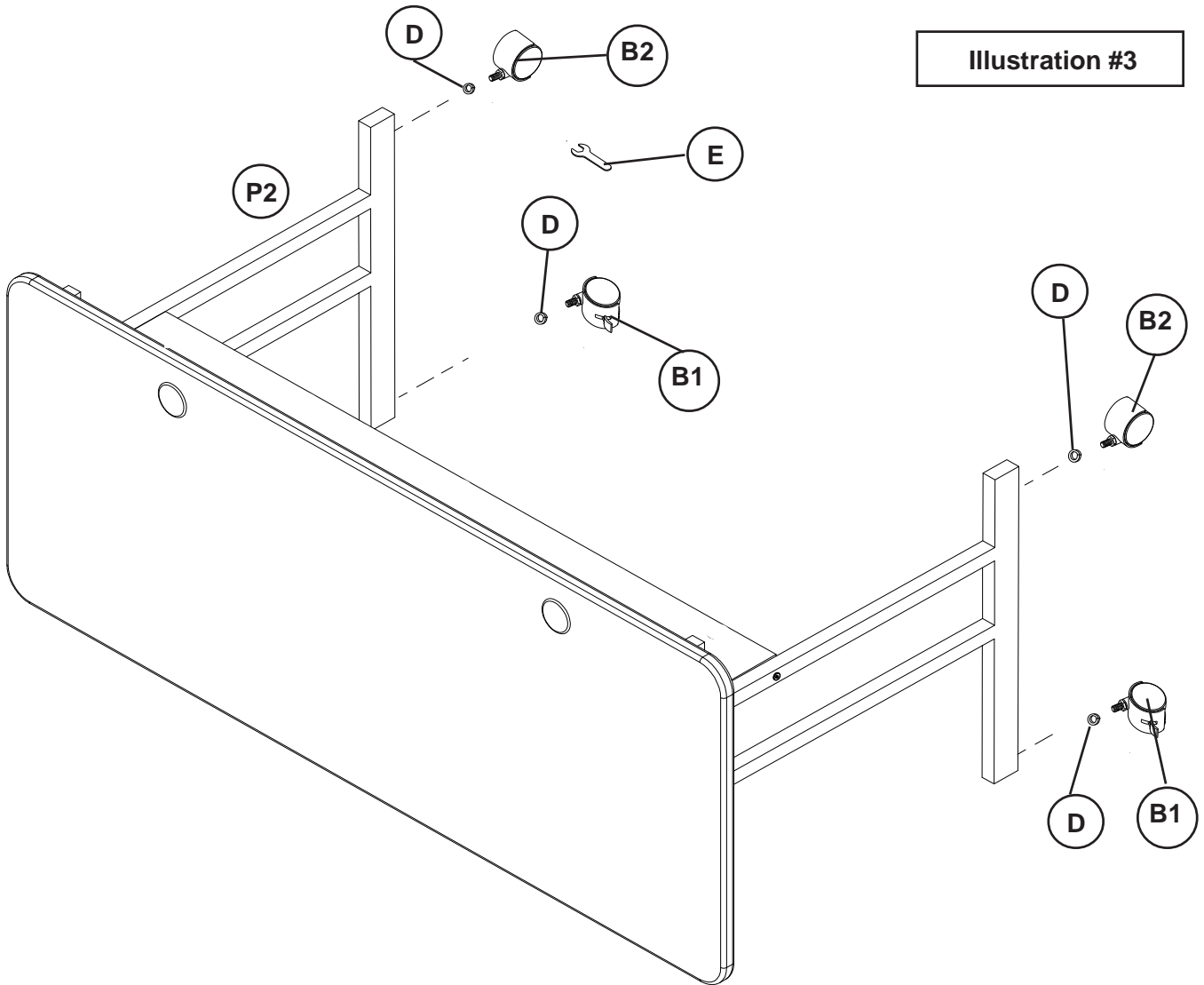


Illustration # 2

- 4.) Place a Caster Lock Washer (D) on each caster stem and screw in two Locking Casters (B1) into the leg's front holes and two Non-Locking Casters (B2) into the leg's rear holes as shown in Illustration #3. Tighten casters using Caster Wrench (E).



205 Westwood Ave, Long Branch, NJ 07740
Phone: 866-94 BOARDS (26273) / (732)-222-1511
Fax: (732)-222-7088 | E-mail: sales@touchboards.com

Task Train 5-21-12