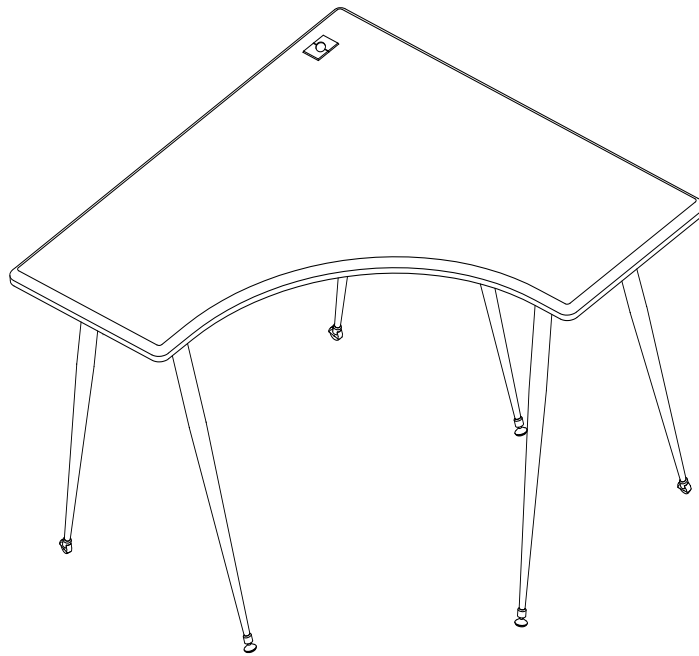




LFLEX Corner Table

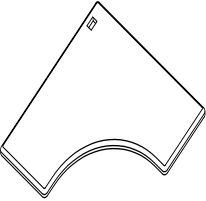


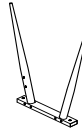
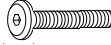
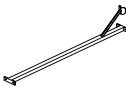
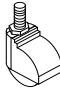
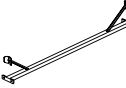

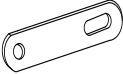
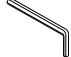
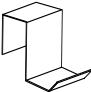


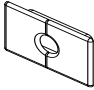


Touchboards

205 Westwood Ave, Long Branch, NJ 07740
Phone: 866-94 BOARDS (26273) / (732)-222-1511
Fax: (732)-222-7088 | E-mail: sales@touchboards.com

Assembly Instructions

LFEX Corner Table

Part	Drawing	Description	Qty	Part	Drawing	Description	Qty
P1		Table Top	1 EA	Hardware List			
P2		Right Leg	2 EA	A		Screw M6X13mm	18 EA
P3		Left Leg	1 EA	B		Screw M6X38mm	6 EA
P4		Left Brace	1 EA	C		Caster	3 EA
P5		Right Brace	1 EA	D		Glide	3 EA
P6		Ganging Bracket	2 EA	E		Allen Wrench	1 EA
P7		Cable Clips	2 EA	F		Caster Wrench	1 EA
				H		Lock Washer	3 EA
				G		Grommet	1 EA

We recommend that you assemble this unit on a table.

Missing Parts or UPS Damaged Parts

For Your Convenience you can
EMAIL us at

support@moorecoinc.com

24HOURS 7 DAYS A WEEK

Should you require assistance during assembly,

please call our Customer Service Department

Monday - Friday 8 a.m. - 5 p.m.

Central Standard Time 1-800-749-2258

Do not use unless all screws are tight. At least every six months, check all screws to be sure they are tight. If parts are missing, broken, damaged, or worn, stop use of the product until repairs are made by your dealer using factory authorized parts.

LFLEX Corner Table

Assembly Instructions



205 Westwood Ave, Long Branch, NJ 07740
Phone: 866-94 BOARDS (26273) / (732)-222-1511
Fax: (732)-222-7088 | E-mail: sales@touchboards.com

READ THROUGH INSTRUCTIONS FROM BEGINNING TO END **BEFORE** STARTING TO ASSEMBLE UNIT.

- 1.) Identify and Separate all the Parts and Hardware.
- 2.) Attach Right Brace (P5) to Left Leg (P3) using four Screws (A). Attach the other end of Front Brace (P5) to Right Leg (P2) using four Screws (A) as shown in Illustration #1.

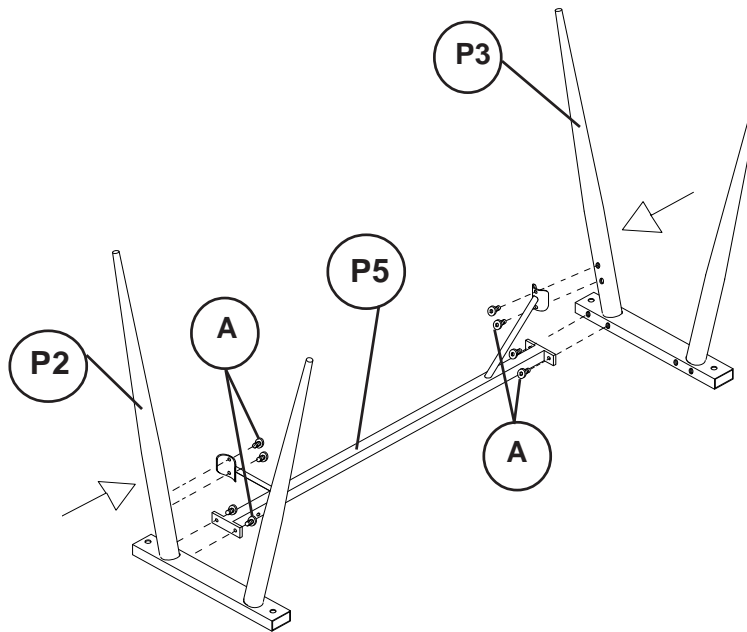


Illustration # 1

- 3.) Attach the Left Brace (P4) to the Right Brace (P5) using two Screws (A). Attach a Right Leg (P2) to the other end of the Left Brace (P4) using four Screws (A) as shown in illustration #2.

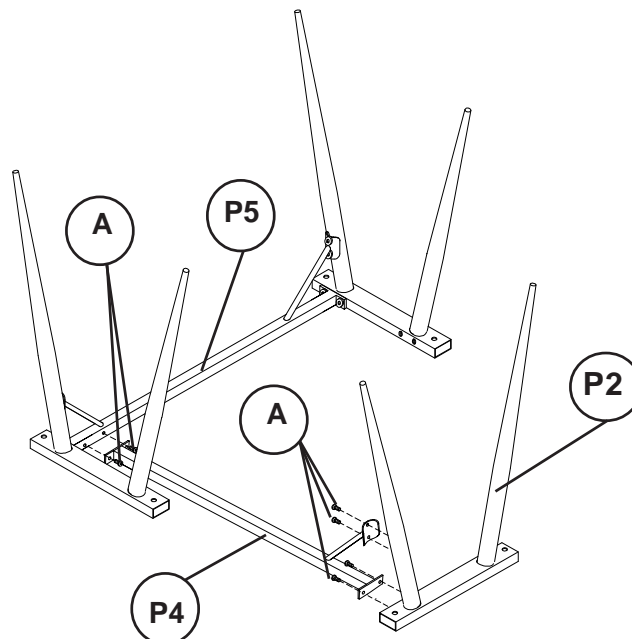


Illustration # 2

- 4.) Place the Table Top (P1) face down on a padded surface.
- 5.) Slip two Cable Clips (P7) under the Right Brace (P5) as you place the leg assembly over the threaded inserts in the bottom of Table Top (P1). Line up the holes and secure the legs to the Table Top (P1) using six Screws (B) as shown in illustration #3.

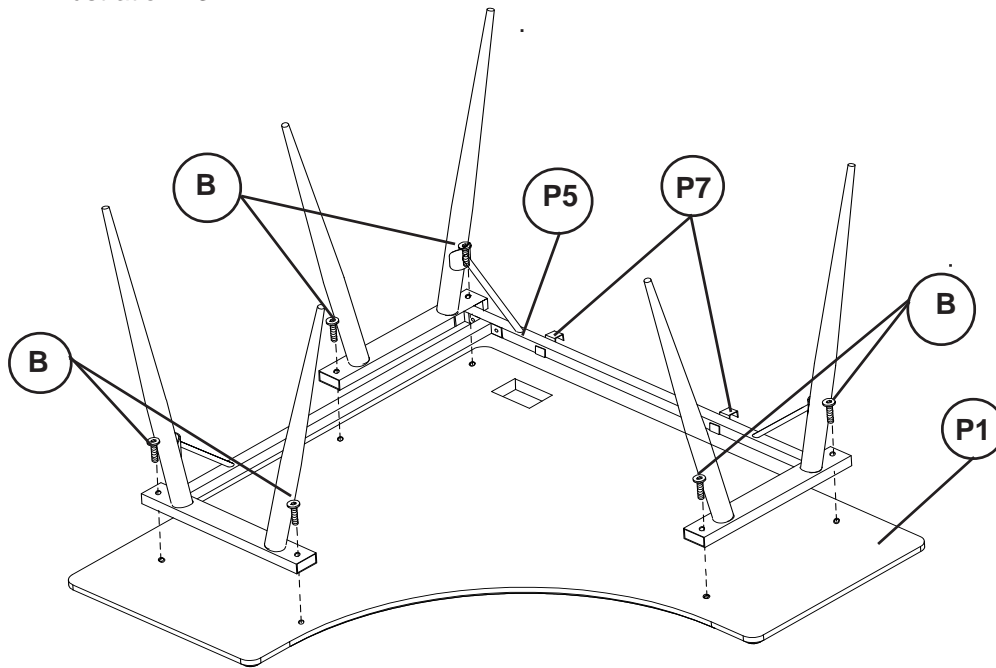


Illustration # 3

- 6.) Screw in three Glides (D) into the Legs as shown. Place a Lock Washer (H) on each Caster (C) and screw them into the rear Legs as shown in illustration #4. Tighten the Casters (C) using Caster Wrench (F). Tighten all Screws (A&B) using Allen Wrench (E) before setting table upright.

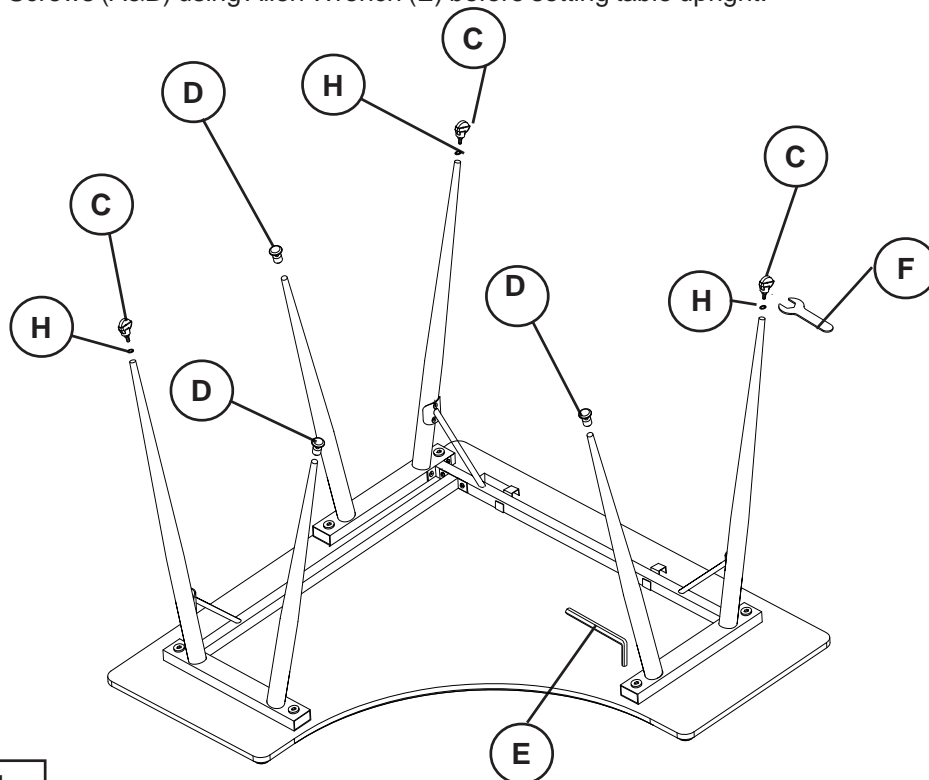
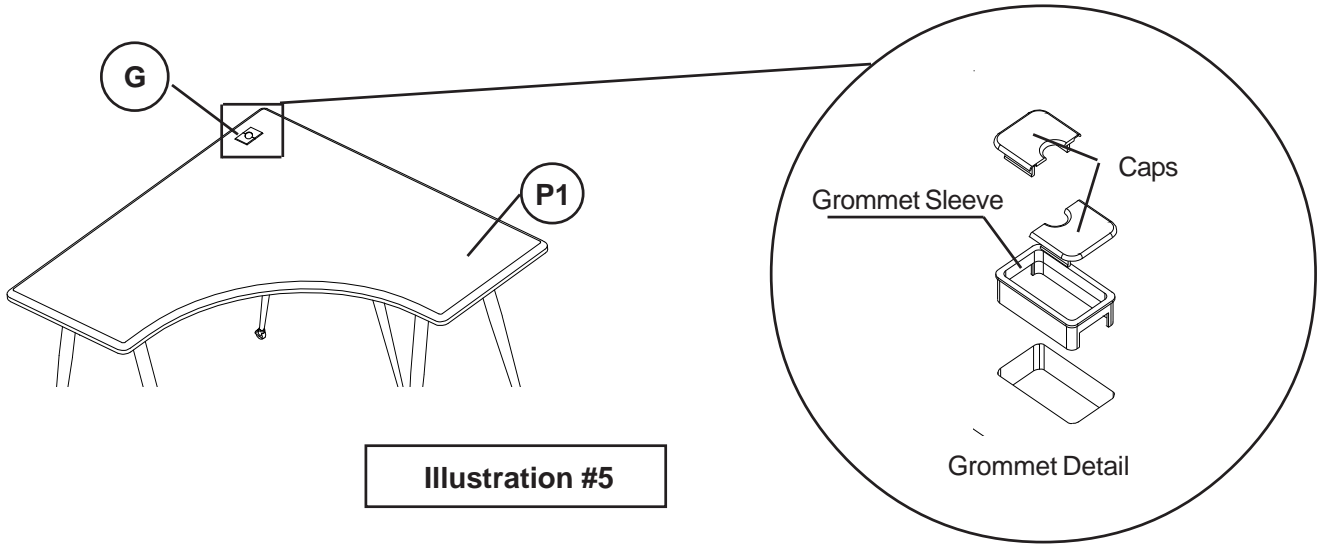


Illustration # 4

- 7.) To install Grommet (G), separate parts and press Grommet Sleeve into the rectangular opening in Table Top (P1) as shown in Illustration #5.
- 8.) Snap 2 plastic Caps over top of Sleeve as shown in Illustration #5.



LFlex Ganging Bracket Details

Option # 1

To gang two tables together, push the two tables together and line up the front and back edges.

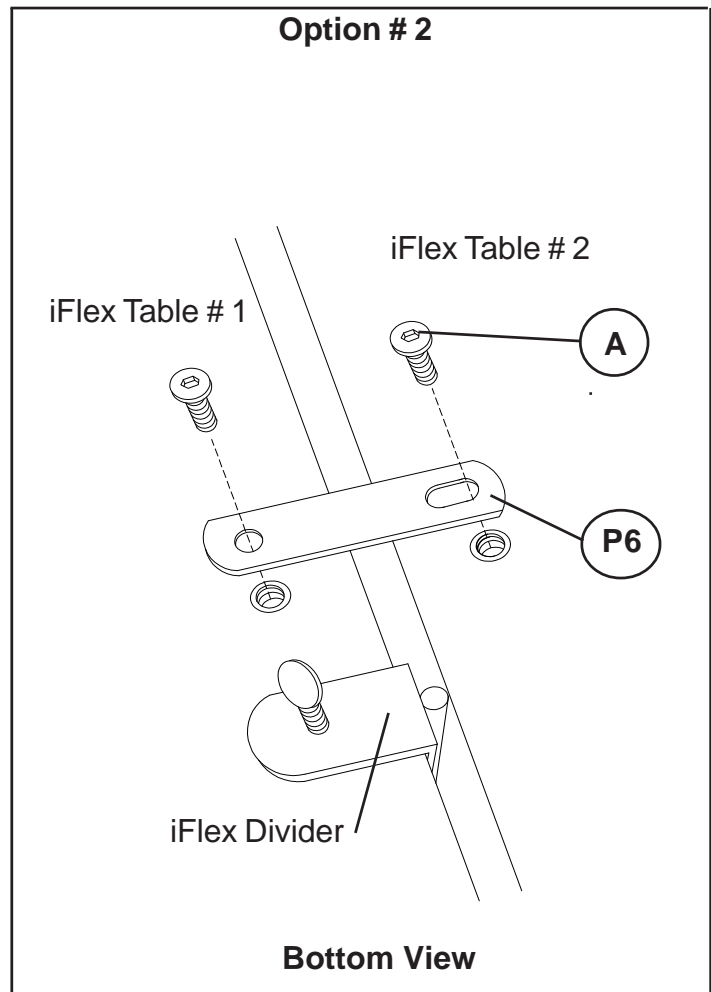
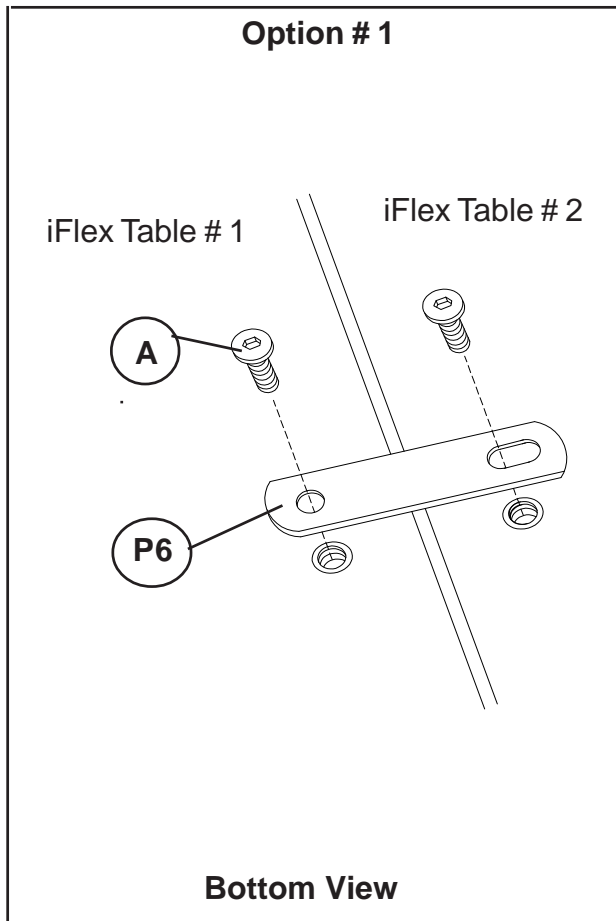
Under the table tops, you will find embedded, threaded inserts on the side and back edges.

Use two Ganging Brackets (P6) and four Screws (A) to attach Table # 1 to the Table # 2 as shown in **Option # 1's** illustration. Tighten the Screws (A) into the threaded inserts using Allen Wrench (E).

Option # 2

To gang two tables together that have an iFlex Divider installed between them, push the two tables and divider together and line up the front and back edges. Under the table tops, you will find embedded, threaded inserts on the side and back edges. Use two Ganging Brackets (P6) and four Screws (A) to attach the Table # 1 with iFlex Divider attached to the Table # 2 as shown in

Option # 2's illustration. Tighten the Screws (A) into the threaded inserts using Allen Wrench (E).



Touchboards

205 Westwood Ave, Long Branch, NJ 07740
Phone: 866-94 BOARDS (26273) / (732)-222-1511
Fax: (732)-222-7088 | E-mail: sales@touchboards.com