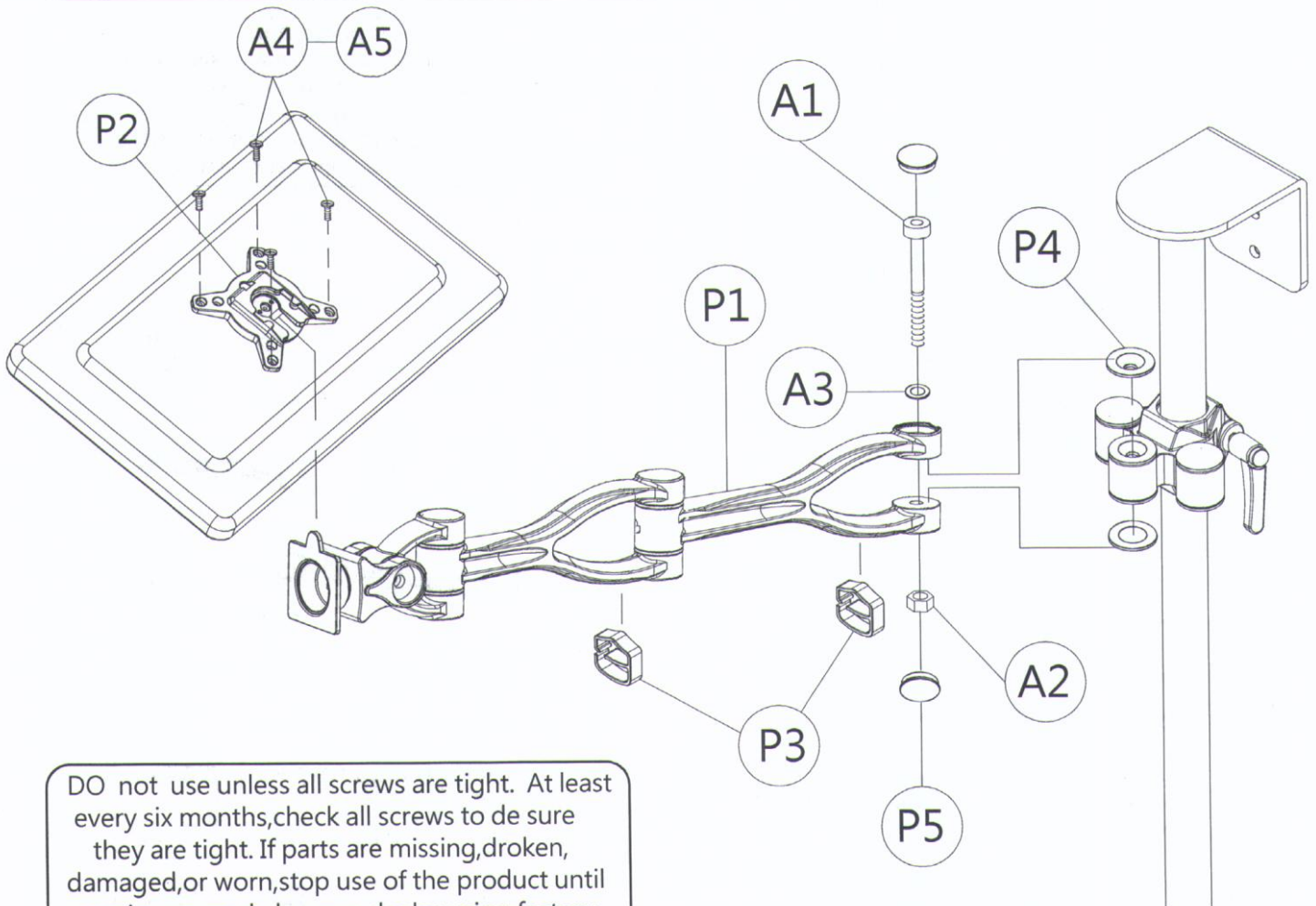
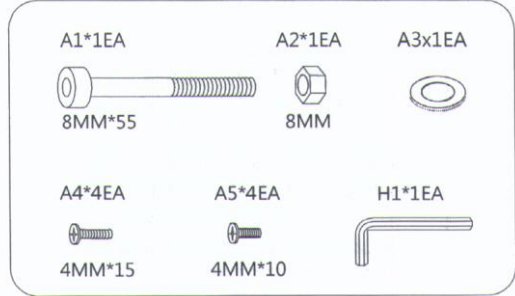
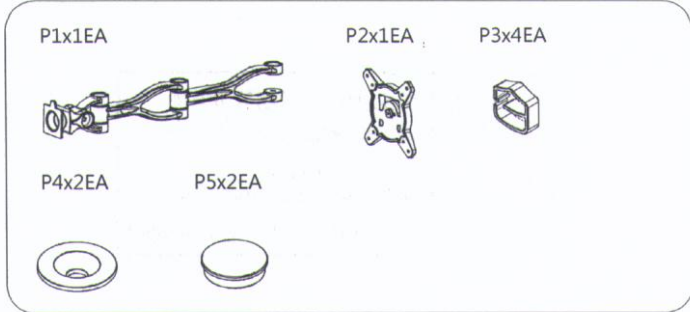




Wallmount Workstation

Optional Add On Arm

90378



DO not use unless all screws are tight. At least every six months, check all screws to be sure they are tight. If parts are missing, broken, damaged, or worn, stop use of the product until repairs are made by your dealer using factory authorized parts

Missing Parts or UPS Damaged Parts
 For Your Convenience you can
 EMAIL us at
support@moorecoinc.com
 24HOURS 7 DAYS A WEEK

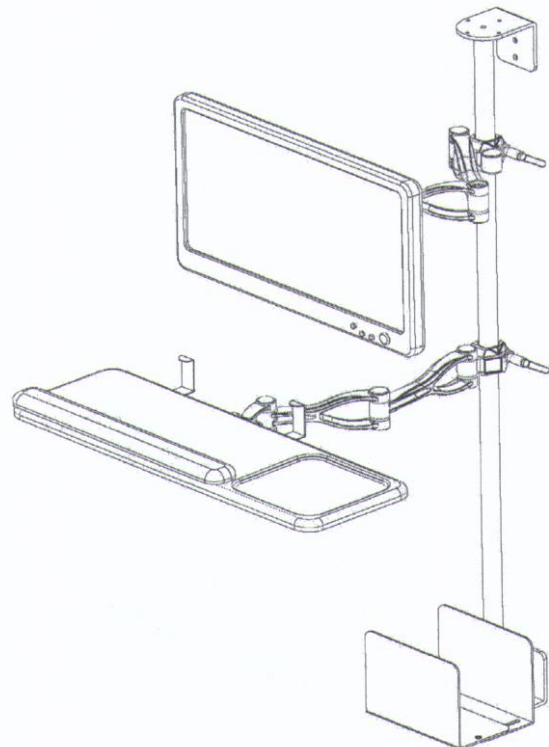
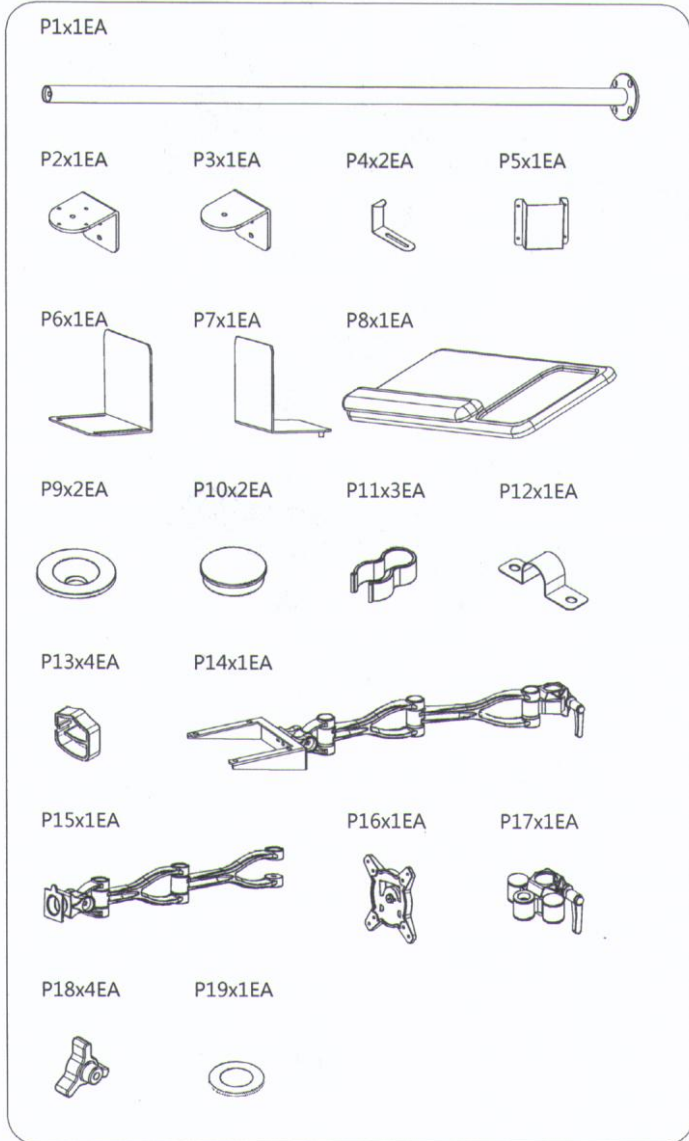
Should you require assistance during assembly, please call our Customer Service Department Monday-friday 8a.m-5p.m Central Standard Time 1-800-749-2258



205 Westwood Ave, Long Branch, NJ 07740
 Phone: 866-94 BOARDS (26273) / (732)-222-1511
 Fax: (732)-222-7088 | E-mail: sales@touchboards.com



Wallmount Workstation 90377

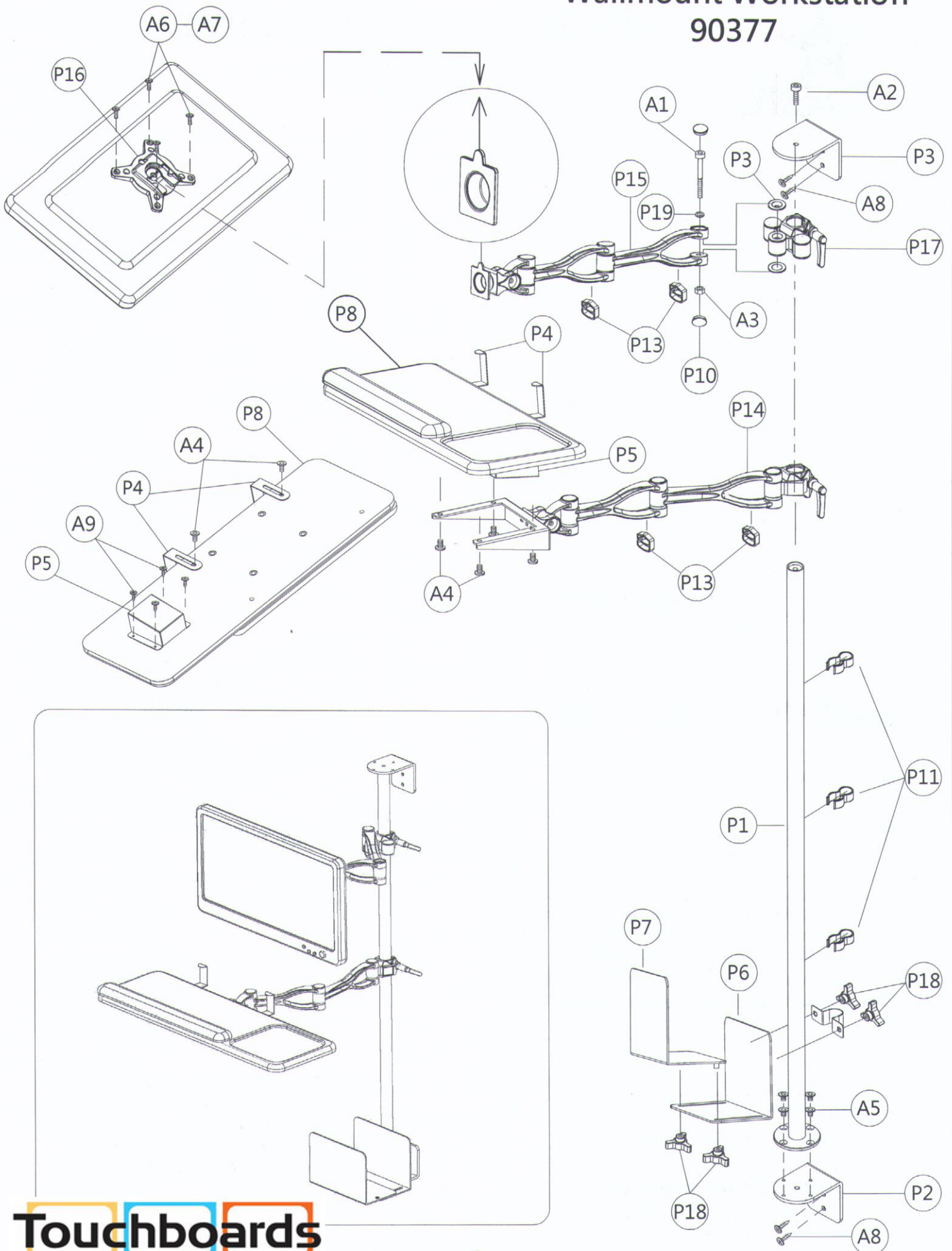


DO not use unless all screws are tight. At least every six months, check all screws to de sure they are tight. If parts are missing, droken, damaged, or worn, stop use of the product until repairs are made by your dealer using factory authorized parts

Missing Parts or UPS Damaged Parts
For Your Convenience you can
EMAIL us at
support@moorecoinc.com
24HOURS 7 DAYS A WEEK

Should you require assistance
during assembly,
please call our Customer Service
Department Monday-friday
8a.m-5p.m
Central Standard Time
1-800-749-2258

Wallmount Workstation 90377



Touchboards

205 Westwood Ave, Long Branch, NJ 07740
 Phone: 866-94 BOARDS (26273) / (732)-222-1511
 Fax: (732)-222-7088 | E-mail: sales@touchboards.com