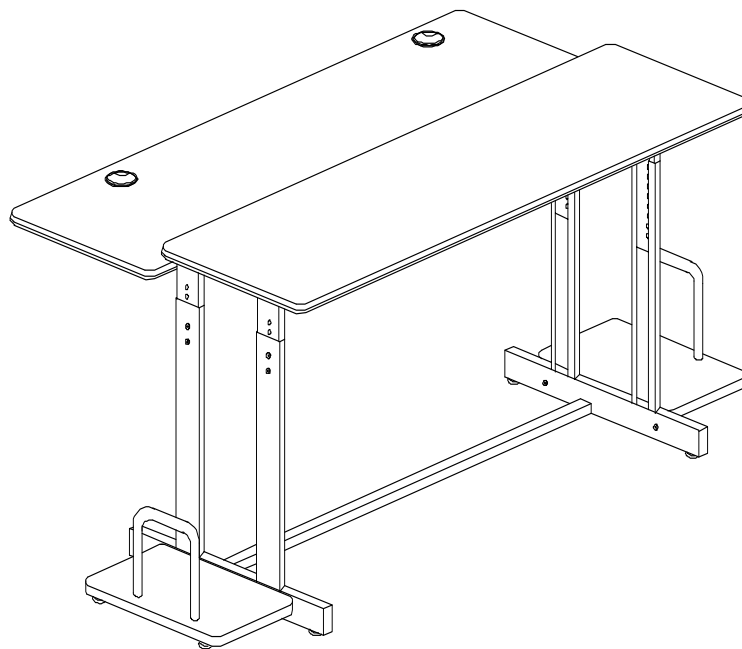


# 83080 Split Level 72

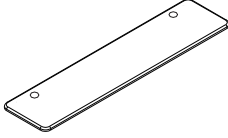


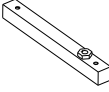
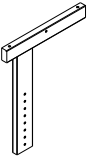
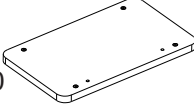
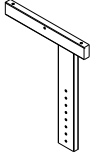
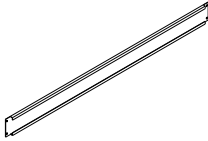
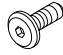
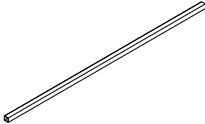
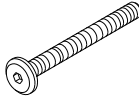
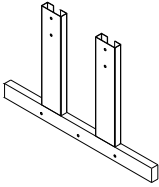
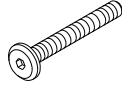
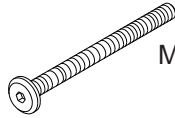



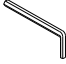
## Task Table



# Assembly Instructions

# Split Level 72

## Task Table

Part	Drawing	Description	Qty	Part	Drawing	Description	Qty
P1		Monitor Platform	1 EA	P8		CPU Rail	2 EA
P2		Keyboard Platform	1 EA	P9		CPU Foot	4 EA
P3		Upper Insert Left Front & Right Back	2 EA	P10		CPU Platform	2 EA
P4		Upper Insert Right Front & Left Back	2 EA	<b>Hardware List</b>			
P5		Stability Panel	2 EA	A		M6*15mm Socket Screw	16 EA
P6		Crossbrace	3 EA	A1		M6*48mm Socket Screw	14 EA
P7		Leg Receiver	2 EA	A2		M6*36mm Screw	8 EA
				B		M6*61mm Socket Screw	8 EA
				C		M6 Square Nut	8 EA
				E		Grommet	2 EA
				F		Glide	8 EA
				G		Allen Wrench	1 EA

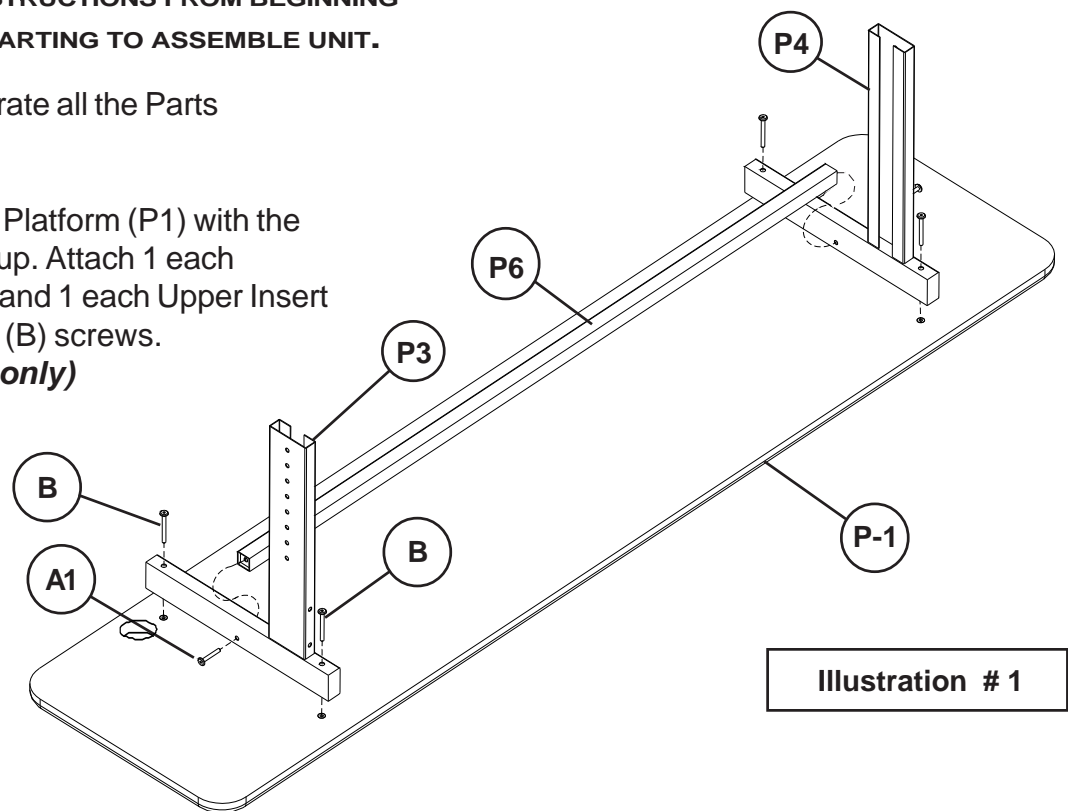
***We recommend that you assemble this unit on a table.***

**Tools required: Adjustable Crescent Wrench**

# Split Level 72 Task Table Assembly Diagram

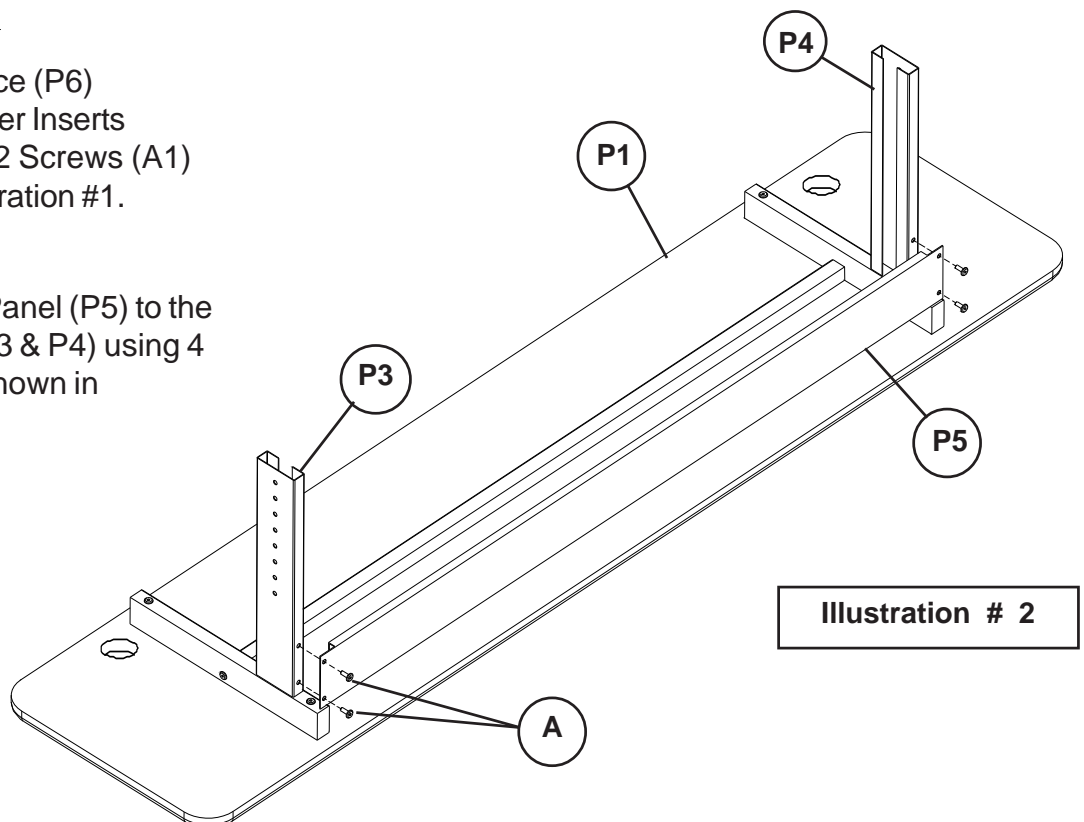
READ THROUGH INSTRUCTIONS FROM BEGINNING TO END BEFORE STARTING TO ASSEMBLE UNIT.

- 1.) Identify and Separate all the Parts and Hardware.
- 2.) Place the Monitor Platform (P1) with the insert nuts facing up. Attach 1 each Upper Insert (P3) and 1 each Upper Insert (P4) using 4 each (B) screws. *(Finger tighten only)*



- 3.) Attach Crossbrace (P6) between the Upper Inserts (P3 & P4) using 2 Screws (A1) as shown in illustration #1.

- 4.) Attach Stability Panel (P5) to the Upper Inserts (P3 & P4) using 4 Screws (A) as shown in illustration #2.



5.) Place the Keyboard Platform (P2) with the insert nuts facing up. Attach 1 each Upper Insert (P3) and 1 each Upper Insert (P4) using 4 each (B) screws.  
**(Finger tighten only)**

6.) Attach Crossbrace (P6) to the Upper Inserts (P3 & P4) using 2 Screws (A1) as shown in illustration #3.

7.) Attach Stability Panel (P5) to the Upper Inserts (P3 & P4) using 4 Screws (A) as shown in illustration #3.

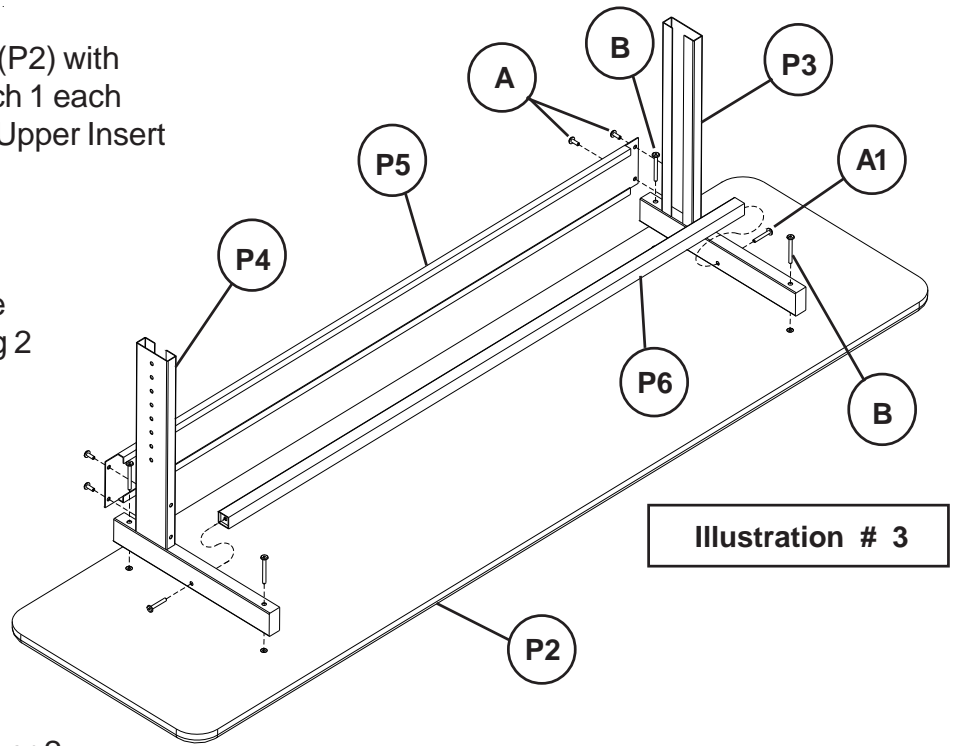


Illustration # 3

8.) Slide 2 Leg Receivers (P7) over 2 Upper Inserts (P3) and 2 Upper Inserts (P4) as shown in illustration #4. Secure at desired height using 8 each (A) Screws and 8 each (C) Square nuts (flat side of the nut should be next to the metal).

9.) Attach 4 each (F) Leveling Glides to the 2 each Leg receivers (P7) .

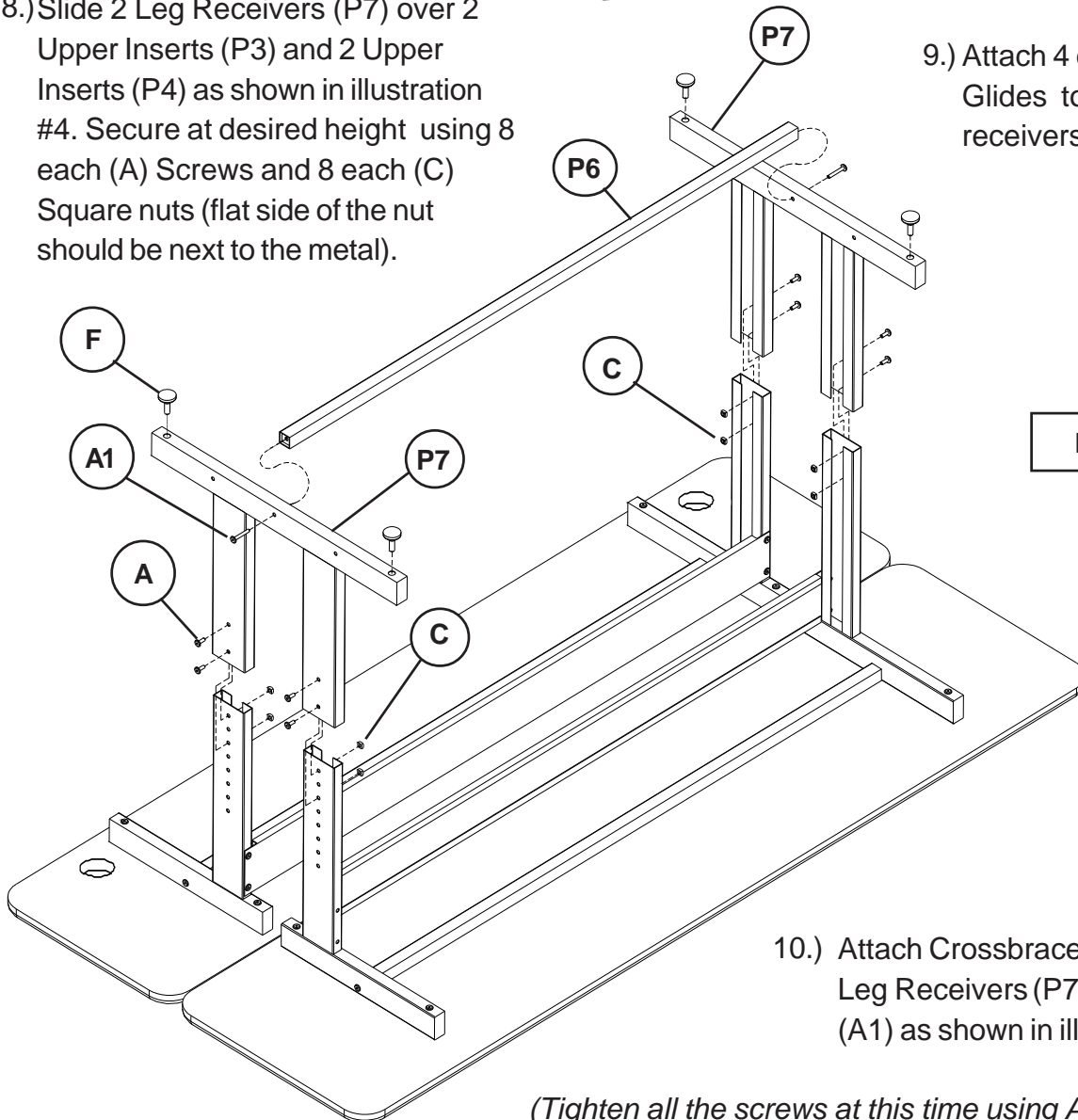


Illustration # 4

10.) Attach Crossbrace (P6) between Leg Receivers (P7) using 2 Screws (A1) as shown in illustration #4.

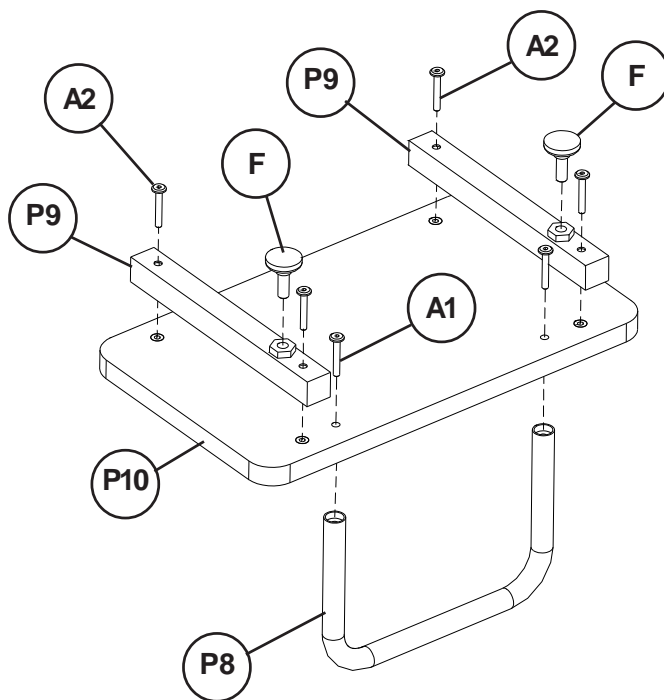
*(Tighten all the screws at this time using Allen Wrench (G)).*

11.) Place the CPU Platform (P10) with the insert nuts facing up. Attach 2 each CPU Feet (P9) using 4 each (A2) screws.  
***(Finger tighten only)***

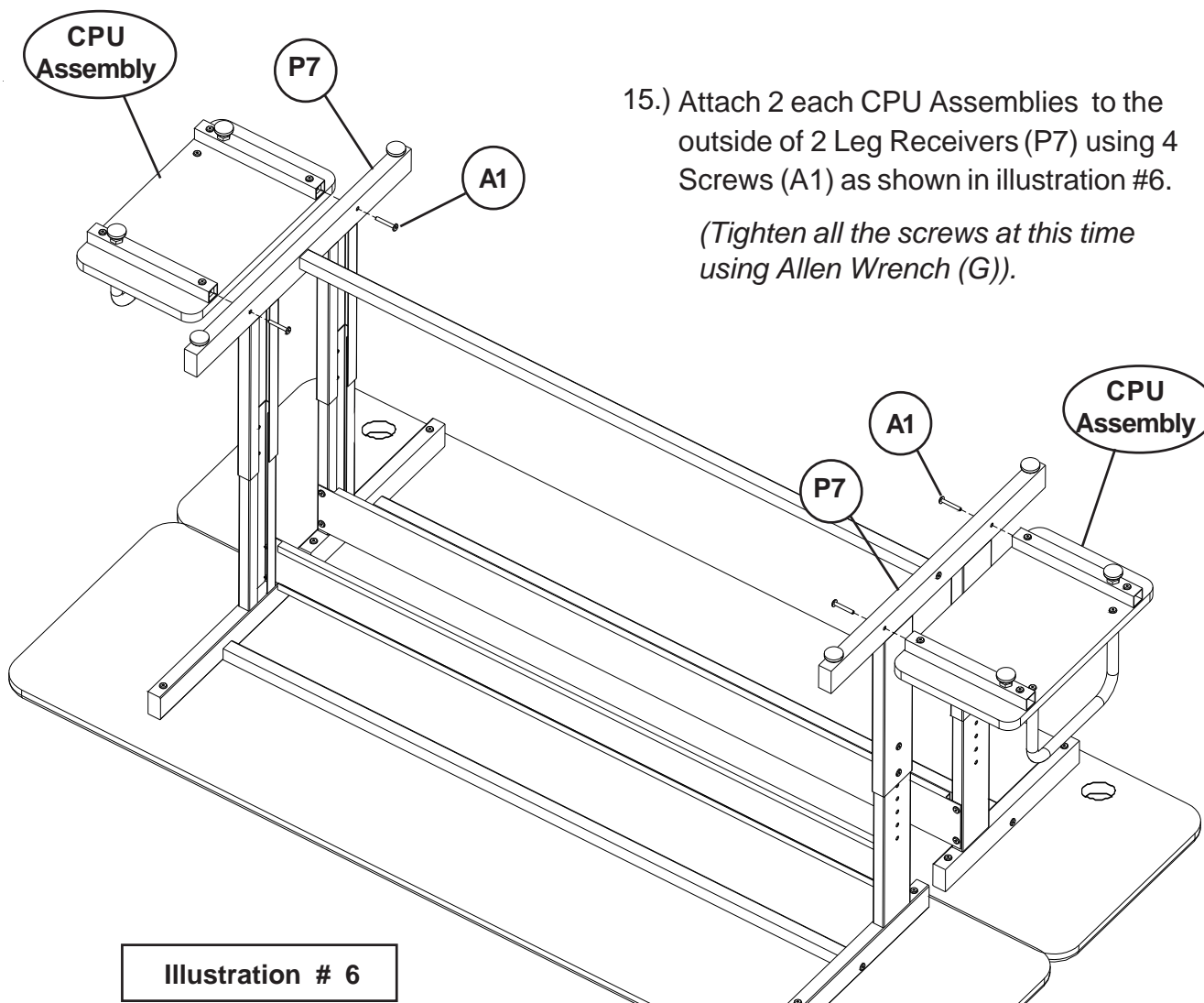
12.) Attach 1 each CPU Rail (P8) to the CPU Platform (P10) using 2 each (A1) screws.  
***(Finger tighten only)***

13.) Attach 2 each Glides (F) to the 2 Feet (P9) as shown in illustration #5.

14.) Repeat Steps 11-13 for Second CPU Platform Assembly.



**Illustration # 5**

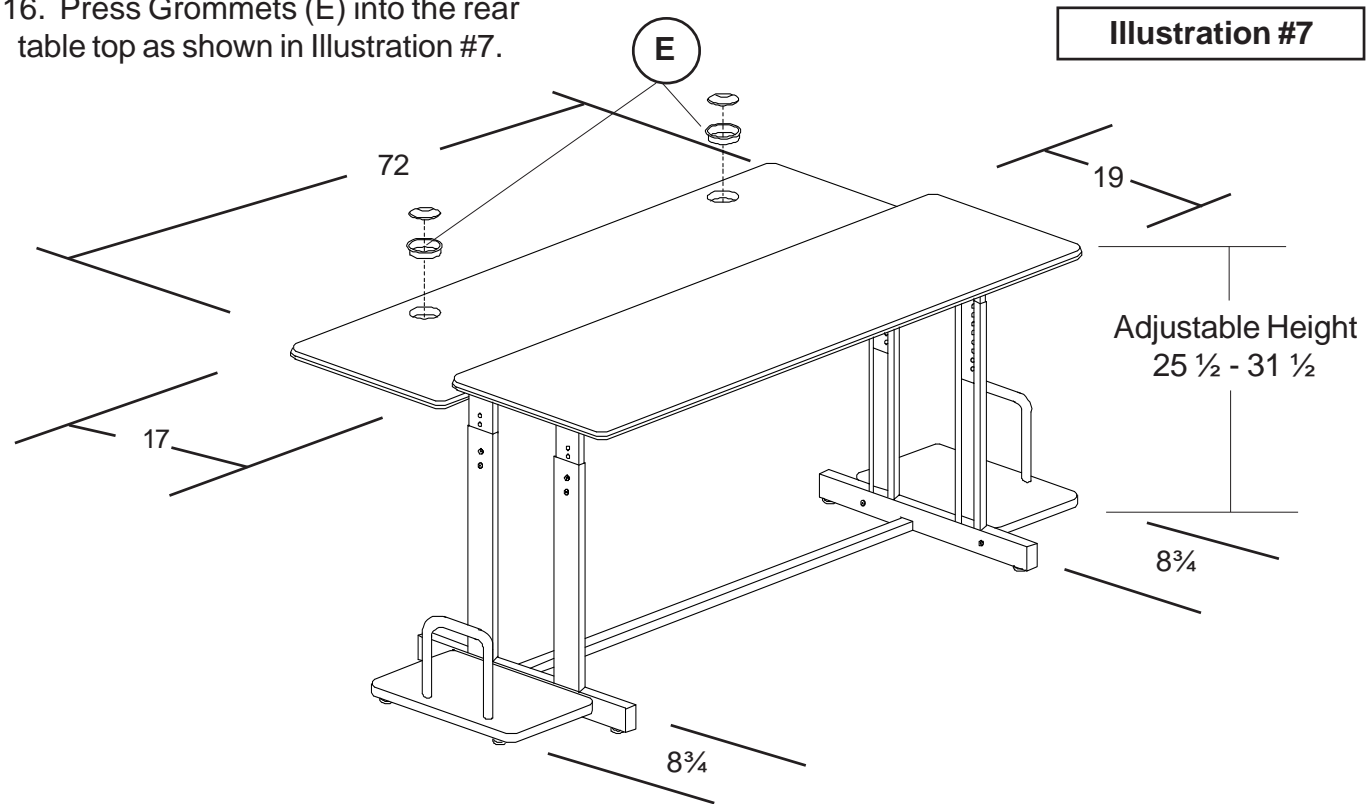


**Illustration # 6**

15.) Attach 2 each CPU Assemblies to the outside of 2 Leg Receivers (P7) using 4 Screws (A1) as shown in illustration #6.

***(Tighten all the screws at this time using Allen Wrench (G)).***

16. Press Grommets (E) into the rear table top as shown in Illustration #7.



Do not use unless all screws are tight. At least every six months, check all screws to be sure they are tight. If parts are missing, broken, damaged, or worn, stop use of the product until repairs are made by your dealer using factory authorized parts.

## Important

The product you have purchased is guaranteed against material and workmanship defects. This guarantee extends 1 year from date of purchase. Should this product fail to function satisfactorily under normal use due to defect or imperfection, the defective part or product will be replaced. Damage caused by common carriers during shipment is not included in this guarantee.

**This guarantee sets forth all applicable guarantees and remedies. No other warranty, expressed or implied shall apply. Failure to follow instructions found in Important Information Section of Owner Sheet shall void the guarantee. Consequential or incidental damages and or costs are not refundable.**