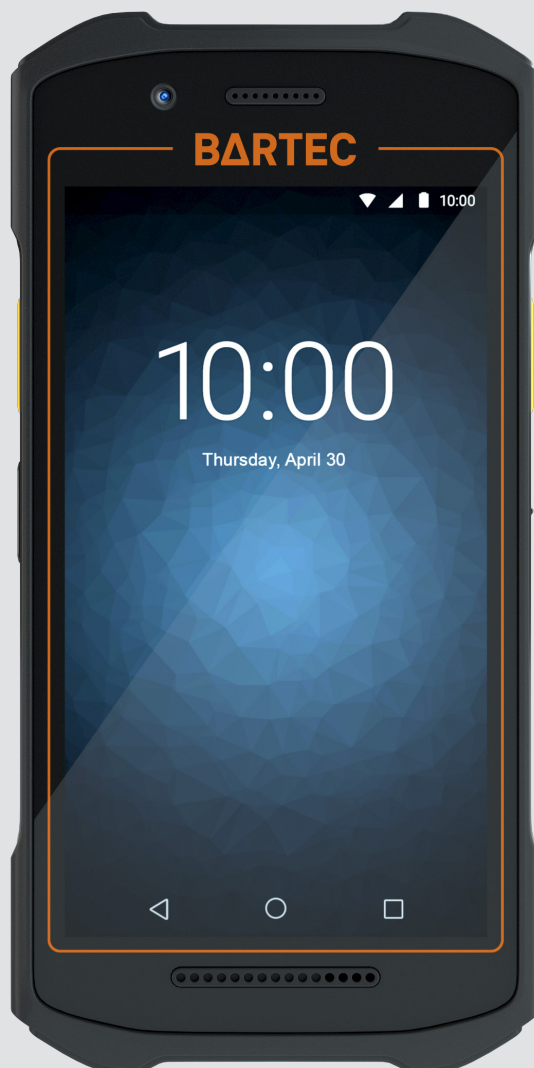


Touch Computer TC26^{ex}-NI

Quick Start Guide



Quick Start Guide - Translation

TC26^{ex}-NI

Touch Computer

Type B7-A2C*-****/*****

Class I, II, III Division 2

Document No.: B1-A2C0-7E0001

Status: June 2022

Proviso: Subject to technical changes. Changes, mistakes and printing errors do not substantiate any claim to damages.

Content	Pages
English	1-56

1	Basic safety information	1
1.1	Information on this Quick Start Guide	1
1.1.1	Languages	2
1.1.2	Changes in the document	2
1.1.3	Registered trademarks	2
1.2	Handling the product	2
1.3	Intended use	3
1.3.1	Exclusive purpose	3
1.3.2	Unintended use	3
1.4	Duties of the operator	3
1.5	Safety information	3
1.6	Maintenance	4
1.6.1	Servicing	4
1.6.2	Inspection	4
1.6.3	Repairs	4
1.6.4	Commissioning	4
1.7	Labelling, test certificate, and standards	4
1.8	Warranty	5
1.9	Co-applicable documents	6
1.10	Definition of terms	6
1.11	Configuration	7
2	Regulatory information	8
2.1	UL Listed Products with GPS	8
2.2	Wireless Device Country Approvals	8
2.2.1	Country Roaming	8
2.2.2	Wi-Fi Direct / Hotspot Mode	8
2.2.3	Frequency of Operation – FCC and IC	9
2.3	Health and Safety Recommendations	9
2.3.1	Ergonomic Recommendations	9
2.3.2	Warnings for Use of Wireless Devices	10
2.3.3	Safety in Aircraft	10
2.3.4	Safety in Hospitals	10
2.3.5	Pacemakers	10
2.3.6	Other Medical Devices	10
2.4	RF Exposure Guidelines	11
2.4.1	US and Canada - Co-located statement	11
2.4.2	LED Devices	11
2.4.3	Power Supply	11
2.5	Batteries	12
2.5.1	Battery information	12
2.5.2	Battery Safety Guidelines	12
2.6	Use with Hearing Aids - FCC	13
2.6.1	ANSI C63.19 Rating System	14
2.6.2	Hearing Aid Compatibility	14
2.7	Radio Frequency Interference Requirements-FCC	14
2.7.1	Radio Frequency Interference Requirements – Canada	15

3	Product description	16
	3.1 TC26 ^{ex} -NI	16
	3.2 Purpose of use	16
4	Structure	17
5	Technical data	19
	5.1 Explosion protection	19
	5.2 Features	20
	5.2.1 Performance features	20
	5.2.2 Physical features	20
	5.2.3 User environment	21
	5.2.4 Data transmission WiFi.....	21
	5.2.5 Wireless WAN Data & Voice Communications.....	22
	5.2.6 Bluetooth Data & Voice Communications.....	23
	5.2.7 Global Positioning System.....	23
	5.2.8 Camera.....	23
	5.2.9 NFC/HF RFID Reader	23
	5.2.10 Barcode capture	24
	5.3 Battery	25
	5.4 Software	26
	5.5 Product labelling	27
	5.5.1 Touch Computer.....	27
	5.5.2 Battery.....	28
6	Transport and storage	29
	6.1 Transport.....	29
	6.2 Storage.....	29
7	Commissioning	30
	7.1 Requirements in hazardous areas.....	30
	7.2 First steps.....	32
8	Operation	33
	8.1 Handling accessories	33
	8.1.1 Insert SIM card	33
	8.1.2 Insert microSD card.....	36
	8.1.3 Insert/change battery	38
	8.1.4 Charging the Main battery	41
	8.1.5 Charging the spare battery	43
	8.1.6 Hand strap.....	45
	8.1.7 Scan handle	46
	8.1.8 Using the touch screen.....	48
	8.2 Scanning - Barcode	50
	8.2.1 Scanning	50
	8.2.2 Scan buttons for the scanner.....	51
	8.2.3 Datawegds	52
	8.3 Scanning – RFID NFC/HF	53
	8.3.1 Scanning	53
	8.3.2 Scan buttons and antenna position	54
9	Disposal	55

1 Basic safety information

1.1 Information on this Quick Start Guide



Read carefully before putting the devices into operation.

The Quick Start Guide is a fixed part of the product. It must be kept in the direct vicinity of the device and the installation, operating and service staff must have access to it at all times.

The Quick Start Guide contains important information, safety instructions and test certificates which are necessary for the perfect function of the device in operation.

The Quick Start Guide is directed at all individuals concerned with the commissioning, handling and servicing of the product. The applicable guidelines and standards for areas with gas and dust atmosphere (EN/IEC 60079-17, EN/IEC 60079-19) must be observed when conducting this work.

Knowledge of the safety and warning information in this Quick Start Guide and the strict compliance with it is essential for safe installation and commissioning. Accidents, injuries and material damage can be avoided by circumspect handling and systematically following the instructions.

The examples, tables, and figures provided in this Quick Start Guide are for illustration purposes. Due to the different requirements of the respective application, the BARTEC company cannot assume responsibility or liability for actual use based on the examples and figures.

The BARTEC company reserves the right to carry out technical changes at any time.

In no event will BARTEC company be responsible or liable for indirect or consequential damages resulting from the use or application of this Quick Start Guide.

Safety and warning information is particularly emphasised in this Quick Start Guide and marked by symbols.

DANGER

DANGER describes a directly imminent danger. If not avoided, death or severe injury will be the consequence.

WARNING

WARNING describes a possibly imminent danger. If not avoided, death or severe injury may be the consequence.

CAUTION

CAUTION describes a possibly imminent danger. If not avoided, mild or slight injury may be the consequence.

ATTENTION

ATTENTION describes a possibly damaging situation. If not avoided, the plant or objects in its vicinity may be damaged.



Important information on effective, economical & environmentally compliant handling.

1.1.1 Languages

The original Quick Start Guide with safety information is written in German. All other available languages are translations of the original Quick Start Guide.

The Quick Start Guide is available in German and English. If further languages are required, these must be requested from BARTEC or stated on placing an order.

1.1.2 Changes in the document

BARTEC reserves the right to change the content of this document without notification. No warranty is assumed for the correctness of the information. In cases of doubt, the German safety instructions apply because it is not possible to rule out errors of translation or printing. In the case of legal disputes, the "General Terms and Conditions of Business" of the BARTEC Group also apply.

The current versions of the datasheets, user manual, certificates and declarations of conformity can be downloaded from www.bartec.com or may be requested directly from BARTEC GmbH.

1.1.3 Registered trademarks

Bluetooth®	is a registered trademark of Bluetooth Special Interest Group
Android	The "Android" name, the Android logo, the Google Play trademark and other Google trademarks are the property of Google LLC.
WiFi	is a registered trademark of Wi-Fi-Alliance, an association of manufacturers founded in 1999.

1.2 Handling the product

The product described in this Quick Start Guide left the factory in a perfect and tested state in terms of safety. To maintain this state and to achieve a perfect and safe operation of this product, it may only be operated in the manner described by the manufacturer. In addition, the perfect and safe operation of this product requires correct transportation, proper storage and careful operation.

The safe and perfect handling of the Touch Computer is a prerequisite for its perfect and correct functioning.

1.3 Intended use

1.3.1 Exclusive purpose

The Touch Computer series is a handheld piece of electrical equipment. It serves the purpose of the mobile recording, processing and/or radio transmission of data within hazardous areas.

It is used exclusively in combination with devices which comply with the requirements placed on the overvoltage category I.

The admissible operating data of the device used must be considered.

1.3.2 Unintended use

Any other use is unintended and may lead to damage and accidents. The manufacturer shall not be liable for any use extending beyond the exclusive purpose.

1.4 Duties of the operator

The operator undertakes to only permit persons to work with the Touch Computer who

- are acquainted with the basic regulations on safety and accident prevention, and who have been inducted in the use of the Touch Computer,
- have read and understood the documentation, the safety chapter and the warnings.

The operator checks that the safety and accident prevention regulations applicable to the respective case of use have been observed.

1.5 Safety information

- Do not dry wipe or clean devices in hazardous areas!
- Do not open devices in hazardous areas.
- Do not replace or charge battery in hazardous areas.
- General statutory provisions or guidelines on occupational health and safety, accident prevention provisions and environmental protection laws must be heeded, e.g. Operational Safety Ordinance (BetrSichV) and nationally applicable ordinances.
- Use suitable clothing and shoes with respect to the danger of hazardous electrostatic charges.
- Avoid heat influences outside the specified temperature range.
- Protect device from external influences! Do not expose device to caustic/aggressive liquids, vapours or spray. In the case of malfunction or damaged enclosure, remove the device immediately from the hazardous area and bring it to a safe place.

1.6 Maintenance

The pertinent erection and operating provisions for electrical systems must be observed! (e.g. Directive 2014/34/EU, BetrSichV and nationally applicable ordinances EN/IEC 60079-14 and the series DIN VDE 0100)!

Observe the national waste disposal regulations when disposing of the devices.

1.6.1 Servicing

No constant servicing will be necessary if operated correctly under consideration of the assembly instructions and environmental conditions.

1.6.2 Inspection

According to EN/IEC 60079-17 and EN/IEC 60079-19 the operator of electrical systems in hazardous areas is obliged to have these inspected by an electrician to ensure correct condition.

1.6.3 Repairs

Repairs to explosion-protected devices may only be performed by authorized personnel with original spare parts and according to the state of the art.

Therefore all repairs to the Touch Computer have to be conducted by BARTEC.

Contact information and instructions for repair requests and processing can be found at:

<https://www.bartec.de/en/service/automation-enterprise-mobility/>

- Procedure guide
- RMA Form

1.6.4 Commissioning

It must be checked that all components and documents are available before commissioning.

1.7 Labelling, test certificate, and standards

Labels on explosion protection and the test certificate are attached to the Touch Computer. Labelling see Chapter: Technical data.

The guidelines and standards applicable to the Touch Computer for devices and protected systems for intended use in hazardous areas are provided in Chapter: Declaration of Conformity.

1.8 Warranty

WARNING

No changes or retrofits may be made without the written consent of the manufacturer.

If non-specified components are used, the explosion protection will no longer be guaranteed. In the case of externally procured parts, it is not guaranteed that these have been designed and manufactured in accordance with their load and requisite safety.

- ▶ Contact the manufacturer before any changes or retrofits to receive a release.
Only use original spare and wearing parts.



The manufacturer shall exclusively assume the complete warranty only for spare parts ordered from him.

Our “General Terms and Conditions of Sale and Delivery” shall apply in principle. These shall be made available to the operator on signing of contract at the latest. Warranty and liability claims in the case of injury and damage to property shall be excluded if they are attributable to one or several of the following causes:

- Unintended use of the Touch Computer.
- Incorrect handling
- Failure to observe the information in the Quick Start Guide and the user manual with respect to transport, storage, commissioning, operation and service.
- Independent structural changes
- Faulty monitoring of parts subject to wear and tear.
- Incorrectly performed repairs.
- Cases of disaster through the impact of foreign bodies and force majeure.

We grant a warranty period of one year starting from the date of delivery from the Bad Mergentheim factory on the Touch Computer (exception: battery 6 months). The warranty period for accessories is one year starting from the date of delivery from the Bad Mergentheim factory. This warranty covers all parts of the delivery and shall be restricted to the free replacement or repair of the defective parts in our Bad Mergentheim factory. For this purpose, any packaging supplied must be kept where possible. In the case of warranty, the goods must be returned to us after written agreement using an RMA form. There shall be no claim to repair at the sight of erection.

The information contained herein refers to the explosion-protected version of the Touch Computer TC26^{ex}-NI.

This Quick Start Guide contains all important information on the subject of explosion protection.

Further product information on handling and commissioning can be found on the BARTEC support page: <https://automation.bartec.de/indexE.htm>

1.9 Co-applicable documents



All documents are available online from the following websites:

BARTEC: www.bartec.com or <http://automation.bartec.de/indexE.htm>

ZEBRA: www.zebra.com

In the event of an overlaps with Zebra, the instructions of BARTEC apply.

Document BARTEC	Explanation
Quick Start Guide Touch Computer TC26^{ex}-NI	This Quick Start Guide describes the safety-related information, first use and further data of the Touch Computer TC26 ^{ex} -NI.
Data sheet Touch Computer TC26^{ex}-NI	This technical data sheet contains the most important explosion-relevant technical data as well as general technical data.
Document ZEBRA	Explanation
For TC26 Touch Computer <ul style="list-style-type: none"> ▪ Quick Start Guide (DE/EN) ▪ Product Reference Guide (EN) 	Instructions for commissioning, operating, configuring, programming and maintaining of the Touch Computer.

1.10 Definition of terms

A few abbreviations are used in the documentation.

NI	=	Non Incendive is used as generic term for Zone 2 and Division 2 version
TC	=	Touch Computer stands for the entire product series

1.11 Configuration



The devices are only supplied with preinstalled operating system.
 Customer software or further applications are not contained in the delivery.

This Quick Start Guide refers to the following configurations:

Configuration	Version
Processor	Qualcomm Snapdragon 660 Octa-Core, 1.8 GHz
Display	5" Color Display with 1280 x 720 Pixel resolution
Memory	4 GB
Mass storage	64 GB
Operating system	The TC26 ^{ex} -NI is delivered by BARTEC according to the currently available Android version (for details see data sheet).
WAN	UMTS/LTE
WLAN	IEEE 802.11 a/b/g/n/ac/d/h/i/r/k/v/w
Bluetooth	Class 2, v5.0, Low Energy (BLE)
GPS	Integrated autonomous assisted GPS (A-GPS)
NFC	MIFARE, ISO 14443 A&B, FeliCa, ISO 15693 and NFC Forum supported
Scanner	SE4710-SR: 1D/2D standard range imager
Camera	13 MP camera on the back 5 MP front camera

2 Regulatory information

All BARTEC devices are designed to be compliant with the rules and regulations in locations they are sold and will be labeled as required.

Any changes or modifications to BARTEC equipment, not expressly approved by BARTEC, could void the user's authority to operate the equipment.

CAUTION

Only use BARTEC approved and UL Listed accessories, batteries, base stations and charging stations. Do NOT attempt to charge damp/wet mobile computers or batteries. All components must be dry before connecting to an external power source.

2.1 UL Listed Products with GPS

Underwriters Laboratories Inc. (UL) has not tested the performance or reliability of the Global Positioning System (GPS) hardware, operating software, or other aspects of this product. UL has only tested for fire, shock, or casualties as outlined in UL's Standard(s) for Safety for Information Technology Equipment. UL Certification does not cover the performance or reliability of the GPS hardware and GPS operating software. UL makes no representations, warranties, or certifications whatsoever regarding the performance or reliability of any GPS related functions of this product.

2.2 Wireless Device Country Approvals

Regulatory markings subject to certification are applied to the device signifying the radio(s) is/are approved for use in the following countries and continents:

United States and Canada

CAUTION

Operation of the device without regulatory approval is illegal.

The regulatory marks specific to this device (including FCC and ISED) are available on the screen of the device by following these instructions: Go to Settings > Regulatory.

2.2.1 Country Roaming

This device incorporates the International Roaming feature (IEEE802.11d), which will ensure the product operates on the correct channels for the particular country of use.

Ad-Hoc operation is limited to Channels 1-11 (2412-2462 MHz).

2.2.2 Wi-Fi Direct / Hotspot Mode

Operation is limited to the following channels/bands as supported in the country of use:

- Channels 1 - 11 (2,412 - 2,462 MHz)
- Channels 36 - 48 (5,150 - 5,250 MHz)
- Channels 149 - 165 (5,745 - 5,825 MHz)

2.2.3 Frequency of Operation – FCC and IC

2.2.3.1 5 GHz Only - Industry Canada Statement

CAUTION / AVERTISSEMENT

The device for the band 5,150 - 5,250 MHz is only for indoor usage to reduce potential for harmful interference to co-Channel mobile satellite systems. High power radars are allocated as primary users (meaning they have priority) of 5,250 - 5,350 MHz and 5,650 - 5,850 MHz and these radars could cause interference and/or damage to LE-LAN devices.

Le dispositif fonctionnant dans la bande 5,150 - 5,250 MHz est réservé uniquement pour une utilisation à l'intérieur afin de réduire les risques de brouillage préjudiciable aux systèmes de satellites mobiles utilisant les mêmes canaux. Les utilisateurs de radars de haute puissance sont désignés utilisateurs principaux (c.-à-d., qu'ils ont la priorité) pour les bandes 5,250 - 5,350 MHz et 5,650 - 5,850 MHz et que ces radars pourraient causer du brouillage et/ou des dommages aux dispositifs LAN-EL.

2.2.3.2 2.4 GHz Only

The available channels for 802.11 operation in the US are Channels 1 to 11. The range of channels is limited by firmware.

2.3 Health and Safety Recommendations

2.3.1 Ergonomic Recommendations

CAUTION

In order to avoid or minimize the potential risk of ergonomic injury follow the recommendations below. Consult with your local Health & Safety Manager to ensure that you are adhering to your company's safety programs to prevent employee injury.

- Reduce or eliminate repetitive motion
- Maintain a natural position
- Reduce or eliminate excessive force
- Keep objects that are used frequently within easy reach
- Perform tasks at correct heights
- Reduce or eliminate vibration
- Reduce or eliminate direct pressure
- Provide adjustable workstations
- Provide adequate clearance
- Provide a suitable working environment
- Improve work procedures

2.3.2 Warnings for Use of Wireless Devices

⚠ CAUTION

Please observe all warning notices with regard to the usage of wireless devices.

2.3.3 Safety in Aircraft

Switch off your wireless device whenever you are instructed to do so by airport or airline staff. If your device offers a 'flight mode' or similar feature, consult airline staff as to its use in flight.

2.3.4 Safety in Hospitals

Wireless devices transmit radio frequency energy and may affect medical electrical equipment.

Wireless devices should be switched off wherever you are requested to do so in hospitals, clinics or healthcare facilities. These requests are designed to prevent possible interference with sensitive medical equipment.

When installed adjacent to other equipment, it is advised to verify that the adjacent equipment is not adversely affected.

2.3.5 Pacemakers

Pacemaker manufacturers recommended that a minimum of 15 cm (6 inches) be maintained between a handheld wireless device and a pacemaker to avoid potential interference with the pacemaker. These recommendations are consistent with independent research and recommendations by Wireless Technology Research.

Persons with Pacemakers:

- Should ALWAYS keep the device more than 15 cm (6 inches) from their pacemaker when turned ON.
- Should not carry the device in a breast pocket.
- Should use the ear furthest from the pacemaker to minimize the potential for interference.
- If you have any reason to suspect that interference is taking place, turn OFF your device.

2.3.6 Other Medical Devices

Please consult your physician or the manufacturer of the medical device, to determine if the operation of your wireless product may interfere with the medical device.

2.4 RF Exposure Guidelines

SAFETY INFORMATION

Reducing RF Exposure – Use Properly

Only operate the device in accordance with the instructions supplied.

The device complies with internationally recognized standards covering human exposure to electromagnetic fields.

2.4.1 US and Canada - Co-located statement

To comply with FCC RF exposure compliance requirement, the antenna used for this transmitter must not be co-located or operating in conjunction with any other transmitter/antenna except those already approved in this filing.

Use only BARTEC tested and approved accessories to ensure FCC Compliance. The use of third-party accessories may not comply with FCC RF exposure compliance requirements and should be avoided. The FCC has granted an Equipment Authorization for these devices with all reported SAR levels evaluated as in compliance with the FCC RF emission guidelines. SAR information on these terminals is on file with the FCC and can be found under the Display Grant section of www.fcc.gov/oet/ea/fccid.

This device was tested for typical body worn operation.

2.4.2 LED Devices

Classified as 'EXEMPT RISK GROUP' according to IEC 62471:2006 and EN 62471:2008.

Pulse duration

SE4710: CW

2.4.3 Power Supply

WARNING ELECTRICAL SHOCK

Use ONLY a BARTEC approved Nationally Recognized Test Laboratory (NRTL) Certified ITE (LPS/SELV) power supply with electrical ratings: Output 5 VDC, min 2.5 A, with a maximum ambient temperature of at least 50° C.

Use of alternative power supply will invalidate any approvals given to this unit and may be dangerous.

2.5 Batteries

2.5.1 Battery information

CAUTION

Risk of explosion if battery is replaced by an incorrect type.

Dispose of batteries according to instructions.

Use only BARTEC approved batteries.

Accessories which have battery charging capability are approved for use with the following battery models:

Standard battery – Type B7-A2Z0-0075 (3.85 V / 3300 mAh)

Extended battery – Type B7-A2Z0-0080 (3.85 V / 5000 mAh)

BARTEC approved rechargeable batteries are designed and constructed to the highest standards within the industry.

However, there are limitations to how long a battery can operate or be stored before needing replacement. Many factors affect the actual life cycle of a battery pack, such as heat, cold, harsh environmental conditions and severe drops.

When batteries are stored over six (6) months, some irreversible deterioration in overall battery quality may occur. Store batteries at half of full charge in a dry, cool place, removed from the equipment to prevent loss of capacity, rusting of metallic parts and electrolyte leakage.

When storing batteries for one year or longer, the charge level should be verified at least once a year and charged to half of full charge.

Replace the battery when a significant loss of run time is detected.

2.5.2 Battery Safety Guidelines



IMPORTANT – SAFETY INSTRUCTIONS – SAVE THESE INSTRUCTIONS

WARNING

When using this product basic safety precautions should always be followed, including the following:

The area in which the units are charged should be clear of debris and combustible materials or chemicals. Particular care should be taken where the device is charged in a non-commercial environment.

- Read all the instructions before using the product.
- Follow battery usage, storage, and charging guidelines found in the Quick Start Guide.
- Improper battery use may result in a fire, explosion, or other hazard.

- To charge the mobile device battery, the battery and charger temperatures must be between 0°C and +40°C (+32°F and +104°F).
- Do not use incompatible batteries and chargers. Use of an incompatible battery or charger may present a risk of fire, explosion, leakage, or other hazard
- For devices that utilize a USB port as a charging source, the device shall only be connected to products that bear the USB-IF logo or have completed the USB-IF compliance program.
- Do not disassemble or open, crush, bend or deform, puncture, or shred.
- Severe impact from dropping any battery-operated device on a hard surface could cause the battery to overheat.
- Do not short circuit a battery or allow metallic or conductive objects to contact the battery terminals.
- Do not modify or remanufacture, attempt to insert foreign objects into the battery, immerse or expose to water or other liquids, or expose to fire, explosion, or other hazard.
- Do not leave or store the equipment in or near areas that might get very hot, such as in a parked vehicle or near a radiator or other heat source. Do not place battery into a microwave oven or dryer.
- Battery usage by children should be supervised.
- Please follow local regulations to promptly dispose of used re-chargeable batteries.
- Do not dispose of batteries in fire.
- Seek medical advice immediately if a battery has been swallowed.
- In the event of a battery leak, do not allow the liquid to come in contact with the skin or eyes. If contact has been made, wash the affected area with large amounts of water and seek medical advice.

2.6 Use with Hearing Aids - FCC

When some wireless devices are used near some hearing devices (hearing aids and cochlear implants), users may detect a buzzing, humming, or whining noise. Some hearing devices are more immune than others to this interference noise, and wireless devices also vary in the amount of interference they generate. In the event of interference you may want to consult your hearing aid supplier to discuss solutions.

The wireless telephone industry has developed ratings for some of their mobile phones to assist hearing device users in finding phones that may be compatible with their hearing devices. Not all phones have been rated.

The ratings are not guarantees. Results will vary depending on the user's hearing device and hearing loss. If your hearing device happens to be vulnerable to interference, you may not be able to use a rated phone successfully. Trying out the phone with your hearing device is the best way to evaluate it for your personal needs.

2.6.1 ANSI C63.19 Rating System

M-Ratings: Phones rated M3 or M4 meet FCC requirements and are likely to generate less interference to hearing devices than phones that are not labeled. M4 is the better/higher of the two ratings.

T-Ratings: Phones rated T3 or T4 meet FCC requirements and are likely to be more usable with a hearing device's telecoil ('T Switch' or 'Telephone Switch') than unrated phones. T4 is the better/higher of the two ratings. (Note that not all hearing devices have telecoils in them.) Hearing devices may also be measured for immunity to this type of interference. Your hearing device manufacturer or hearing health professional may help you find results for your hearing device. The more immune your hearing aid is, the less likely you are to experience interference noise from mobile phones.

2.6.2 Hearing Aid Compatibility

This phone has been tested and rated for use with hearing aids for some of the wireless technologies that it uses. However, there may be some newer wireless technologies used in this phone that have not been tested yet for use with hearing aids. It is important to try the different features of this phone thoroughly and in different locations using your hearing aid or cochlear implant to determine if you hear any interfering noise. Consult your service provider or the manufacturer of this phone for information on hearing aid compatibility. If you have questions about return or exchange policies, consult your service provider or phone retailer.

This phone has been tested to ANSI C63.19 and rated for use with hearing aids; it received an M3 and T3 rating. This device is marked HAC showing compliance with the applicable requirements of the FCC.

2.7 Radio Frequency Interference Requirements-FCC

This device complies with Part 15 of the FCC Rules. Operation is subject to the following two conditions: (1) this device may not cause harmful interference, and (2) this device must accept any interference received including interference that may cause undesired operation.

Note: This equipment has been tested and found to comply with the limits for a Class B digital device, pursuant to Part 15 of the FCC rules. These limits are designed to provide reasonable protection against harmful interference in a residential installation. This equipment generates, uses and can radiate radio frequency energy and, if not installed and used in accordance with the instructions, may cause harmful interference to radio communications. However there is no guarantee that interference will not occur in a particular installation. If this equipment does cause harmful interference to radio or television reception, which can be determined by turning the equipment off and on, the user is encouraged to try to correct the interference by one or more of the following measures:

- Reorient or relocate the receiving antenna
- Increase the separation between the equipment and receiver
- Connect the equipment into an outlet on a circuit different from that to which the receiver is connected
- Consult the dealer or an experienced radio/TV technician for help.

2.7.1 Radio Frequency Interference Requirements – Canada

Innovation, Science and Economic Development Canada ICES-003 Compliance Label:
CAN ICES-3 (B)/NMB-3(B)

2.7.1.1 Radio Transmitters

This device complies with Industry Canada's licenceexempt RSSs. Operation is subject to the following two conditions: (1) This device may not cause interference; and (2) This device must accept any interference, including interference that may cause undesired operation of the device.

Le présent appareil est conforme aux CNR d'Industrie Canada applicables aux appareils radio exempts de licence. L'exploitation est autorisée aux deux conditions suivantes: (1) l'appareil ne doit pas produire de brouillage, et (2) l'utilisateur de l'appareil doit accepter tout brouillage radio électrique subi même si le brouillage est susceptible d'en compromettre le fonctionnement.

3 Product description

3.1 TC26^{ex}-NI

The TC26^{ex}-NI is a tough Touch Computer with 5" color display, which has been designed for use in the industrial environments and especially developed by BARTEC in close cooperation with ZEBRA for use in hazardous areas.



3.2 Purpose of use

The Touch Computer TC26^{ex}-NI are handheld electrical devices. They serve the purpose of entry, processing and (radio) transmission of data within hazardous areas.

The Touch Computer TC26^{ex}-NI are used exclusively in combination with devices which comply with the requirements placed on the overvoltage category I.

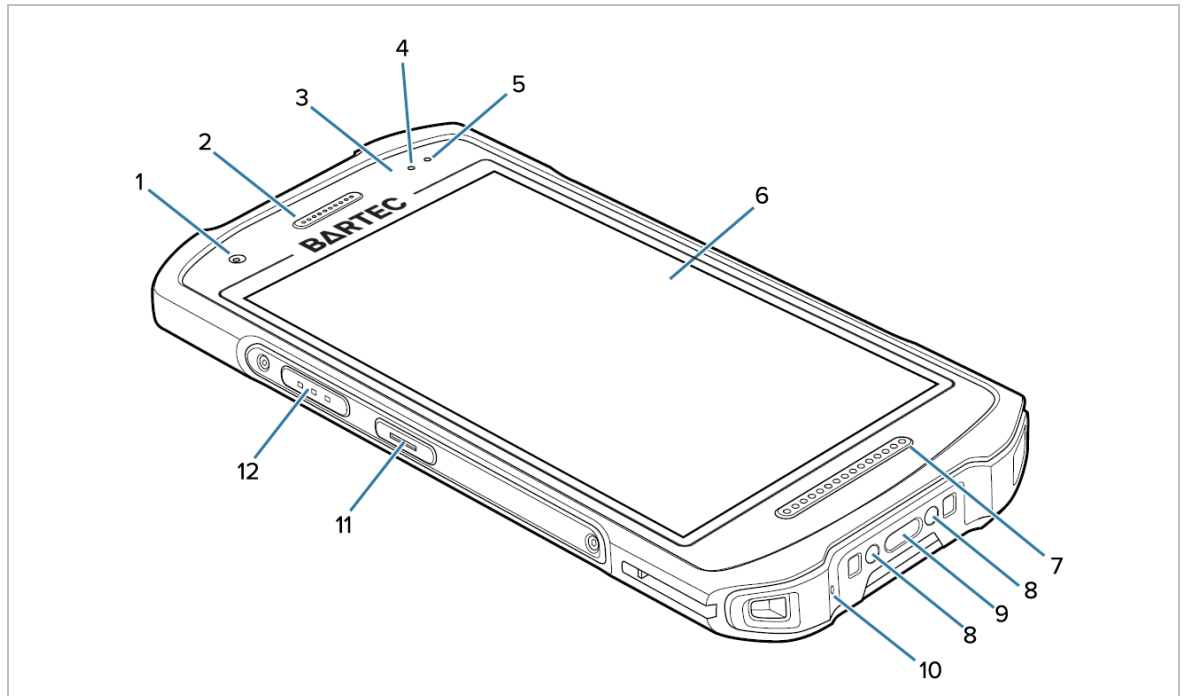
The **Touch Computer TC26^{ex}-NI, Type B7-A2C*-****/******* have been modified for use in the following hazardous areas:

Class I, Division 2, Groups A, B, C, D;

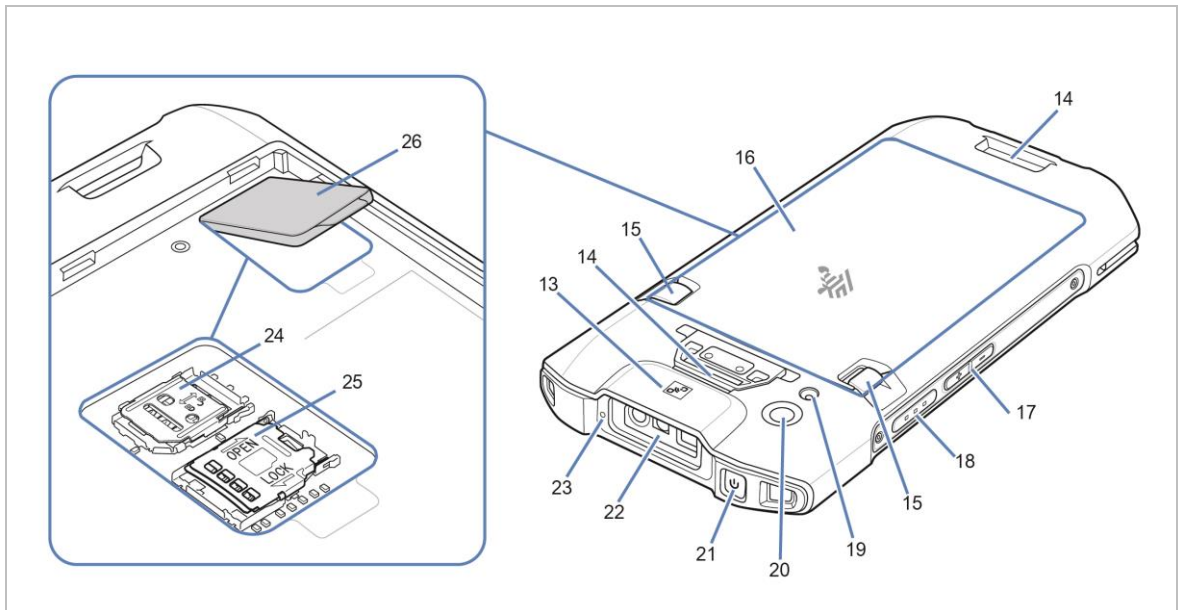
Class II, Division 2, Groups F and G;

Class III Division 2; T4

4 Structure



1	Front Facing Camera	Use to take photos and videos.
2	Receiver	Use for audio playback in Handset mode.
3	Proximity Sensor Light Sensor	Determines proximity for turning off display when in handset mode. Determines ambient light for controlling display backlight intensity.
4	Data Capture LED	Indicates data capture status.
5	Charging/Notification LED	Indicates battery charging status while charging and app generated notifications.
6	Touch Screen	Displays all information needed to operate the device.
7	Speaker	Provides audio output for video and music playback. Provides audio in speakerphone mode.
8	Charging Contacts	Provides power to the device from cables and cradles.
9	USB-C connector	Enables USB host and client communication and device charging via cables and accessories. NOTE: For hazardous area devices, the USB-C cover must remain closed to ensure proper and safety-oriented operation.
10	Microphone	Use for communications in Handset mode.
11	PTT Button	Initiates push-to-talk communications (programmable).
12	Scan Button	Initiates data capture (programmable).



13	NFC antenna	Enables communication with other NFC-enabled devices.
14	Hand strap Mounting Point	Provides latching point for the hand strap.
15	Battery Release Latches	Press to remove the battery.
16	Battery	Provides power to the device.
17	Volume Up/Down Button	Increase and decrease audio volume (programmable).
18	Scan Button	Initiates data capture (programmable).
19	Camera Flash	Provides illumination for the camera.
20	Camera	Takes photos and videos.
21	Power Button	Turns the display on and off. Press and hold to reset the device, power off or swap battery. Press quickly twice when the screen is locked to open the camera app.
22	Exit Window	Provides data capture using the imager.
23	Microphone	Use during video recording and for noise cancellation.
24	Nano SIM card holder	1 x card holder for Nano-SIM cards. Located under a cover below the battery.
25	MicroSD card holder	1 x card holder for MicroSD cards. Located under a cover below the battery.
26	Cover of the card holders	Cover of the Nano-SIM and MicroSD card holders. Located underneath the battery.

5 Technical data

5.1 Explosion protection

NEC500	
Type	B7-A2C*-****/***** TC26 ^{ex} -NI
Labelling	Class I, Division 2, Groups A, B, C, D; Class II, Division 2, Groups F and G; Class III, Division 2; T4 Class I, Zone 2, Group IIC; Zone 22, Group IIIB
Test certificate USA and Canada	E321557
Standards	UL 121201 Ed.9 CSA C22.2 No.213-17 Ed.3

Warning for use within the hazardous areas:

Only use battery pack B7-A2Z0-0075 or B7-A2Z0-0080.
 Read Quick Start Guide B1-A2C0-7E0001 before use.
 Do not charge, change battery or use the corded (USB) data connections in hazardous area.

5.2 Features

5.2.1 Performance features

CPU	Qualcomm Snapdragon 660 Octa-core, 1.8 GHz
Operating system	The TC26 ^{ex} -NI is delivered by BARTEC according to the currently available Android version (for details see data sheet). <ul style="list-style-type: none"> Delivered as GMS (Google Mobility Services) version Upgrade path possibility to Android 14 Supports “GMS Restricted Mode”
Android Enterprise Recommended (AER)	Certified by Zebra for Google AER
Memory	4 GB RAM; 64 GB Flash
Extension slot	1 x MicroSD card slot up to 128 GB Optional MicroSD card from BARTEC: 32 GB Order number 17-A1Z0-0010
Nano SIM card slot	1 x Nano-SIM

5.2.2 Physical features

Dimensions: (Length x Width x Height)	with Standard Battery: 158 x 79 x 13.7 mm (6.22 x 3.11 x 0.54 inch) with Extended Battery: 158 x 79 x 17.3 mm (6.22 x 3.11 x 0.68 inch)
Weight (including battery)	with Standard Battery: approx. 236 g (approx. 8.32 oz) with Extended Battery: approx. 269 g (approx. 9.49 oz)
Display	5" Colour display 1280 x 720 pixel Corning® Gorilla®-Glas
Touchscreen	Capacitive multi-touch Touch function with finger or glove depending on the mode selected
Background lighting	LED technology
Network connections	WWAN (cellular) WLAN (WiFi), WPAN (Bluetooth); USB 2.0 High Speed (host and client)

Interactive sensor technology	<ul style="list-style-type: none"> ▪ Light Sensor: Automatically adjusts display backlight brightness ▪ Motion Sensor: 3-axis accelerometer with MEMS Gyro ▪ Proximity sensor: Automatically detects when the user places the handset against head during a phone call to disable display and touch input ▪ Accelerometer: Measures the linear acceleration of movement to determine the orientation of the device.
Notifications	Audible tone, multi-color LED's, vibration
Keypad	On-screen keypad
Audio	Speaker – 1 Watt Voice support (Internal speaker/receiver and microphones)
Buttons	Scan on each side Volume up/down Power on/off Push-to-talk (PTT) keys

5.2.3 User environment

Operating temperature	-10 °C to +50 °C (+14 °F to +122 °F)
Charging temperature	0 °C to +40 °C (+32 °F to +104 °F)
Storage temperature (without battery)	-30 °C to +70 °C (-22 °F to +158 °F)
Relative humidity	5 % to 90 % (non-condensing)
Class of protection (IEC 60529)	IP 67

5.2.4 Data transmission WiFi

Radio standard	IEEE 802.11 a/b/g/n/ac/d/h/i/k/r/v/w; Wi-Fi™ certified; IPv4, IPv6, 1x1 MU-MIMO
Data Rates	2.4 GHz: 802.11 b/g/n — 20 MHz, 40 MHz, - up to 150 Mbps 5 GHz: 802.11 a/g/n/ac — 20 MHz, 40 MHz, 80 MHz - up to 433 Mbps
Operating Channels	Channel 1-13 (2412-2472 MHz); Channel 36-165 (5180-5825 MHz) Channel Bandwidth: 20, 40, 80 Actual operating channels/ frequencies and bandwidths depend on regulatory rules and certification agency.

Security and Encryption	WEP (40 or 104 bit); WPA/WPA2 Personal (TKIP und AES); WPA3 Personal (SAE); WPA/WPA2 Enterprise (TKIP und AES); WPA3 Enterprise (AES) — EAP-TTLS (PAP, MSCHAP, MSCHAPv2), EAP-TLS, PEAPv0-MSCHAPv2, PEAPv1-EAP-GTC, LEAP und EAP-PWD; WPA Enterprise 192-Bit-Modus (GCMP-256) - EAP-TLS; Enhanced Open (OWE*) * Note that OWE is a separate Wi-Fi Alliance certification program and not WPA3
Certifications	802.11a/b/g/n; WPA; WPA2; WPA3
Fast Roam	PMKID-caching, Cisco CCKM; 802.11r (Over-The-Air), OKC

5.2.5 Wireless WAN Data & Voice Communications

Frequency band	Nordamerika
	UMTS: B2/B4/B5
	LTE: B2/B4/B5/B7/B12/B13/B14/B17/B25/B26/B41/B66
	LTE: Category 6
Voice Communications	
Optional Push-to-Talk (PTT) Express* Mobility DNA software application for instant PTT walkie-talkie style calls inside the four walls.	
Optional Workforce Connect Push-to-Talk (PTT) Pro** Mobility DNA easy-to-deploy, cost-effective subscription-based software application that provides instant PTT walkie-talkie style calls inside and outside the four walls via an easy-to-deploy subscription service.	
Optional Workforce Connect Voice*** to turn TC26 ^{ex} -NI devices into fully-featured PBX handsets with a custom interface that makes it easy to execute even the most complex telephony features - eliminating the need to purchase and manage additional voice-enabled devices.	
* Workforce Connect PTT Express is pre-loaded with a 90-day evaluation license. A full license must be purchased to continue use after 90 days evaluation.	
** To enable maximum performance and voice quality for Workforce Connect PTT Express, PTT Pro and other VoWiFi solutions, the Mobility DNA Enterprise License is recommended.	
*** Mobility DNA Enterprise License is required to deploy Workforce Connect Voice and other 3rd party full duplex voice solutions for optimal performance and support	

5.2.6 Bluetooth Data & Voice Communications

Bluetooth	Bluetooth 5.0, Class 2, Bluetooth Low Energy (BLE)
------------------	---

5.2.7 Global Positioning System

GPS	GPS with A-GPS: Glonass; BeiDou; Galileo
------------	--

5.2.8 Camera

Front camera	5 MP - Megapixel
Rear camera	13 MP - Megapixel

5.2.9 NFC/HF RFID Reader

NFC/HF RFID is a short-range wireless connectivity technology standard that enables a secure transaction between a reader and a contactless smartcard.

The technology is based on ISO/IEC 14443 type A and B (proximity) ISO/IEC 15693 (vicinity) standards, using the HF 13.56 MHz unlicensed band.

NFC/HF	Integrated, MIFARE, ISO 14443 A&B, FeliCa, ISO 15693 and NFC Forum supported, Read range up to 50 mm The device supports the following operating modes: - Reader mode - Card emulation mode
---------------	--



The read/write range of the RFID reader depends on various environmental influences:

- Transponder (tag), size of the installed antenna
- Mounting location (metal or other substrate)
- Magnetic influences from outside
- Environmental conditions (e.g. temperature, humidity, ...)

For detailed information on the RFID reader used, refer to the "Product Reference Guide TC26 (EN)" from ZEBRA.

5.2.10 Barcode capture

1D-/2D Barcodes	
SE4710-SR	1D-/2D Omni-directional Imager Engine



The reading range of the scanner depends on the used barcode type, the print quality and the module width (in mil).
 The scanner used comply with LED devices in accordance with IEC 62471:2006 and EN 62471:2008.
 Pulse duration: SE4710 – CW

Further detailed information on the used scanner refer to the "Product Reference Guide TC26 (EN)" from ZEBRA.

SE4710-SR supports following Symbologies/Barcodes:

Barcode Class	Symbology/Barcode
1D Barcodes	Chinese 2 of 5, Codabar, Code 11, Code 128, Code 39, Code 93, Discrete 2 of 5, EAN-13, EAN-8, Interleaved 2 of 5, MSI, UPCA, UPCE, UPCE1, ISBN/Bookland, ISSN, Coupon Code, Matrix 2 of 5
2D Barcodes	Australian Post, Aztec Code, Canada Postal, Composite AB, Composite C, DataMatrix, Dutch Postal, GS1 DataBar, GS1 Expanded, GS1 Limited, GS1 Datamatrix, Han Xin, Japan Postal, Maxicode, Micro PDF, Micro QR Code, PDF-417, QR Code, TLC-39, PDF-417, UK Postal, US4state, US4State FICS, US Planet, US Postnet

SE4710-SR reading range:

The table below lists the typical distances for selected bar code densities. The minimum element width (or "symbol density") is the width in mils of the narrowest element (bar or space) in the symbol.

Symbol Density/ Barcode Type	Typical Working Ranges	
	Near	Far
4 mil Code 39	8.4 cm (3.3 in.)	22.4 cm (8.8 in.)
5.0 mil Code 128	7.1 cm (2.8 in.)	20.8 cm (8.2 in.)
5 mil Code 39	5.08 cm (2.0 in.)	34.3 cm (13.5 in.)
5 mil PDF417	7.9 cm (3.1 in.)	21.3 cm (8.4 in.)
10 mil Data Matrix	7.4 cm (2.9 in.)	25.7 cm (10.1 in.)
100% UPCA	4.6 cm * (1.8 in.)	66.0 cm (26.0 in.)
20 mil Code 39	5.08 cm * (2.0 in.)	76.2 cm (30.0 in.)
20 mil QR Code	8.1 cm (3.2 in.)	40.1 cm (15.8 in.)

* Limited by width of bar code in field of view.

Note:

Photographic quality bar code at 15° tilt pitch angle under 30 fcd ambient illumination. Distances measured from front edge of scan engine chassis.

5.3 Battery



The life of the battery will depend on different use factors and the device settings, e.g.:

- Use and setting of WLAN/Bluetooth
- Background lighting/screensaver
- The settings in power management
- Use and setting of scanner

Standard Battery Type B7-A2Z0-0075	(only change and charge in the safe area) Lithium ion battery 3.85 V/min. 3300 mAh (12.7 Wh) 3.85 V/typ. 3400 mAh (13.09 Wh)
Extended Battery Type B7-A2Z0-0080	(only change and charge in the safe area) Lithium ion battery 3.85 V/min. 5000 mAh (19.25 Wh) 3.85 V/min. 5260 mAh (20.25 Wh)
Operating temperature	
▪ During charging	5 °C to +40 °C (+41 °F to 104 °F)
▪ During discharging	-10 °C to +50 °C (14 °F to 122 °F)
Storage temperature	-20 °C to +50 °C (-4 °F to 122 °F)
Charging times	Standard Battery: approx. 3 hours (from fully depleted to 90%) Extended Battery: approx.. 4 hours (from fully depleted to 90%)
UN38.3 compliant	Yes



Charge the batteries at temperatures from 5°C to 40°C (41°F to 104°F). The device or charging station always performs the battery charging in a safe and intelligent way. At higher temperatures, such as about +37°C (+98°F), the device or charging station can alternately activate and deactivate battery charging for a short time to keep the battery at acceptable temperatures. The device and the charging station indicate via their LED when charging is disabled due to abnormal temperatures.

5.4 Software

BARTEC already delivers all TC26^{ex}-NI with the "**Mobility DNA Enterprise License**". This means that all Zebra tools covered by the license are already available to all end users. Not all tools are pre-installed. However, the tools that are not pre-installed can be downloaded on demand via Google Play or on the Zebra Support & Download page.

For more detailed information on Mobility DNA: Enterprise Mobility Software, please visit BARTEC's website at:

<https://www.bartec.de/en/products/automation-enterprise-mobility/mobile-computer/tc26ex-ni/>



or on the ZEBRA website:

What is Zebra Mobility DNA:

<https://www.zebra.com/us/en/products/software/zebra-dna.html>

Mobility DNA Enterprise Upgrade Kit:

<https://www.zebra.com/us/en/cpn/mobility-dna-kit.html>

Guides to the various tools:

<https://techdocs.zebra.com/>

Get the most out of your explosion-proof BARTEC (Zebra) mobile device with Mobility DNA - the Zebra difference.

Mobility DNA is a unique toolset just for Zebra that offers valuable new features to put your Zebra devices in a class of their own. The ready-to-use Mobility DNA Professional toolkit is pre-installed and pre-licensed and ready to use out of the box, all at no additional cost. BARTEC has already installed the optional Mobility DNA Enterprise license on all TC26^{ex}-NI devices. This provides the end user with the full set of powerful voice and data tools.

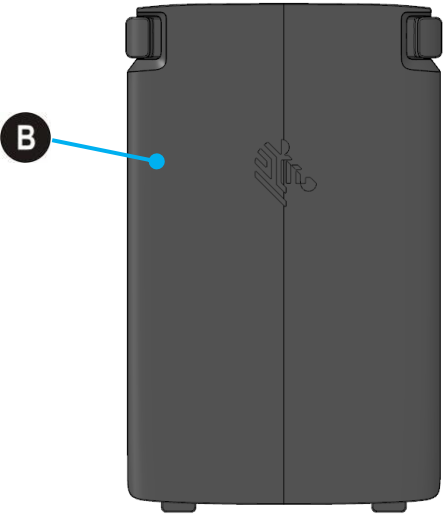


5.5 Product labelling

5.5.1 Touch Computer



<p>A</p>	<p>Type label</p>	<div style="border: 1px solid black; padding: 5px;"> <p>BARTEC Max-Eyth-Strasse 16 97980 Bad Mergentheim / Germany</p> <p>TC26^{ex}-NI / Type: B7-A2C2-A211133211NA</p> <p>ZEBRA ZEBRA TECHNOLOGIES CORP. HOLTSVILLE, NY 11742</p> <p>MODEL: TC26AK / P/N: TC26AK-11A422-NA</p> <p>Class I, Division 2, Groups A, B, C, D Class I, Zone 2, Group IIC Class II, Division 2, Groups F and G Zone 22, Group IIIB Class III, Division 2; T4 AMB. TEMP. -10°C ~ 50°C</p> <p>Warning: Only use battery pack B7-A2Z0-0075 or B7-A2Z0-0080. Read Quick Start Guide B1-A2C0-7E0001 before use. Do not charge, change battery or use data connections in hazardous area. Avertissement: Utilisez uniquement la batterie B7-A2Z0-0075 ou B7-A2Z0-0080. Lire le guide de démarrage rapide B1-A2C0-7E0001 avant l'utilisation. Ne pas charger, changer la batterie ou utiliser les connexions de données dans la zone à risque d'explosion.</p> <p>FCC ID: UZ7TC26AK / IC: 109AN-TC26AK 5V ~ 2.5A E321557</p> <p>HAC US LISTED I.T.E. EQ. for Haz. Loc</p> <p>BT MAC ID: 78B8D638BAE1</p> <p>WLAN: 78B8D634EA51</p> <p>IMEI: 352714110770492</p> <p>SN: 21050523022012 MFD: 05NOV22 Made in China Assembled in Germany</p> </div>
-----------------	-------------------	---

5.5.2 Battery

		
<p>B</p>	<p>Battery marking</p> <p>Standard battery Type: B7-A2Z0-0075</p>	
<p>B</p>	<p>Battery marking</p> <p>Extended battery Type: B7-A2Z0-0080</p>	

6 Transport and storage

6.1 Transport



Report any transport damage or incomplete deliveries immediately after receipt in writing to the forwarding company and BARTEC GmbH.

Any damage caused through incorrect storage shall not be covered by the warranty provisions of BARTEC GmbH.



Battery is UN38.3 conform.

Due to the transport guidelines for air freight, all batteries are delivered ex works charged to max. 30 %.

Further information, like MSDS, can be found at
<http://automation.bartec.de/indexE.htm>

6.2 Storage

ATTENTION

Property damage through incorrect storage!

- ▶ Observe storage temperatures.
- ▶ Keep humidity away from the Touch Computer.

Additional information on the batteries

The batteries of BARTEC (Type B7-A2Z0-0075 and B7-A2Z0-0080) are developed and manufactured in accordance with the highest industrial standards. The operating time or storage period of a battery is restricted, however. The actual life of a battery is influenced by different factors, e.g. hot, cold, rough operating environment and falling from a great height. If a battery is kept longer than six months, the performance may be impaired on a permanent basis. Keep the batteries in a dry, cool place. For longer periods of storage, remove the batteries from the device to prevent self-discharge, rusting of the metallic and the escape of electrolyte.

Batteries kept for a duration of six months or longer should be charged and discharged again at least every three months. If electrolyte has escaped, do not touch the areas affected and dispose of the batteries as prescribed. Replace the battery if the operating time has shortened considerably.

The standard warranty period for all BARTEC batteries is six months, whereby it is irrelevant whether the battery was acquired separately or was contained in the scope of the delivery of the Touch Computer.

7 Commissioning

DANGER

Avoid electrostatic charging in hazardous areas.

Danger to life in explosive atmosphere!

- ▶ Do not dry wipe or clean the devices.
- ▶ Wear suitable clothing and shoes.
- ▶ Do not use rubber gloves or similar.

DANGER

Unintended use endangers explosion protection.

Danger to life in explosive atmosphere!

- ▶ Do not make any changes to the Touch Computer.
- ▶ In the case of function disturbances or damage to the enclosure, the device should be removed immediately from the hazardous area to a safe place. Remove battery to decommission the device!
- ▶ Do not use any battery replicas or batteries from other manufacturers.

7.1 Requirements in hazardous areas

Touch Computer

- The Touch Computer may not be opened.
- Do not use, swap or replace any non-specified components.
- Do not retrofit any components to the internal plugs or slots.
Exception is the slot for the microSD-card and the nano SIM cards.
- Protect the Touch Computer from impact!
- Do not expose the Touch Computer to caustic/aggressive liquids, vapours, mists!
- Avoid the impact of moisture outside the specifications.
- Avoid thermal impact outside the specified temperature range.
- Use the USB-C and the charging contacts only outside the hazardous area and exclusively with the devices specified by the manufacturer!

Battery

- The battery may not be opened.
- Only charge the battery (Type B7-A2Z0-0075 and B7-A2Z0-0080) outside the hazardous area, using the chargers specified by BARTEC.
- To charge the battery, the battery and charging temperatures must be between +5°C and 40°C (41°F and 104°F).
- Only use the battery for the purpose listed in this Quick Start Guide. Is only suitable for the Touch Computer series Type B7-A2C*-****/*****.
- There is a danger of burning if used incorrectly. Do not expose the battery to temperatures of more than +50 °C (+122 °F).
- Defective batteries must be disposed of immediately, whereby the provisions on battery disposal applicable in the respective region must be observed.
- The battery may explode if it catches fire!
- Do not short circuit the battery!

Accessories

- Only install or replace accessories outside the hazardous area.
- User accessories exclusively which have been tested or certified by BARTEC for this purpose.
- The end user can change MicroSD card, nano SIM cards, scan handle, screen protector and handstrap himself.
- The end user can freely choose which MicroSD card or Nano-Sim card to use. These components are not specified in the Ex certificate and are considered harmless.
- The touch display can be operated with fingers or gloves.

7.2 First steps

- ▶ Unpack the Touch Computer.
 - ▶ Insert and charge the battery into the Touch Computer.
- or
- charge the battery and then insert it into the Touch Computer.
- Use one of the following accessories to charge:

Description	Charging process	
	Battery (in Touch Computer)	Spare battery
Base station Type: G7-A0Z0-0052	Yes	No
4-slot battery charging station Type: G7-A0Z0-0054	No	Yes
USB- Cable Type: G7-A0Z0-0046 + Wall Charger Type: G7-A0Z0-0056/0057	Yes	No

- ▶ Switch on the Touch Computer.

Optional:

- ▶ Insert nano SIM cards. (Customer can choose freely)
- ▶ Insert MicroSD card. (Customer can choose freely)
- ▶ Attach/replace screen protector. (Type: B7-A2Z0-0076)
- ▶ Attach Scan handle (Type: B7-A2Z0-0078)
- ▶ Attach Hand strap (Type: B7-A2Z0-0079)

8 Operation

8.1 Handling accessories

DANGER

Non certified accessories endanger explosion protection.

Danger to life exists in hazardous areas!

- ▶ Only use original accessories from BARTEC.

Only permitted outside hazardous areas:

- ▶ Insert/replace nano-SIM card.
- ▶ Insert/replace microSD card.
- ▶ Insert/charge Battery.
- ▶ Attach/remove accessories such as Scan handle, Screen protector and Handstrap.

8.1.1 Insert SIM card

ATTENTION

Damage to the SIM card through electrostatic discharges!

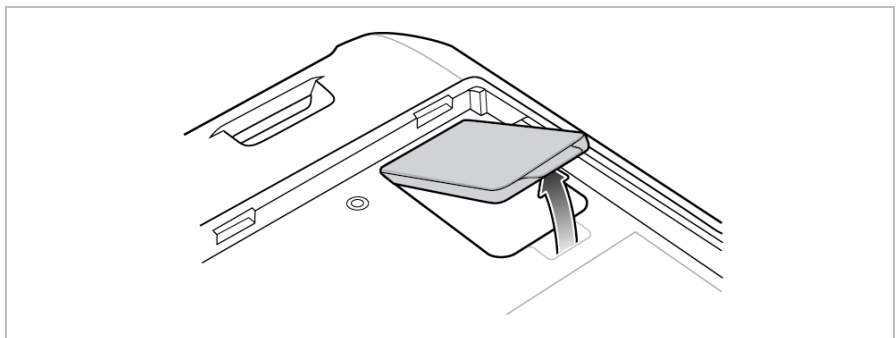
- ▶ Use an antistatic base.
- ▶ Ensure that the operator is correctly earthed.



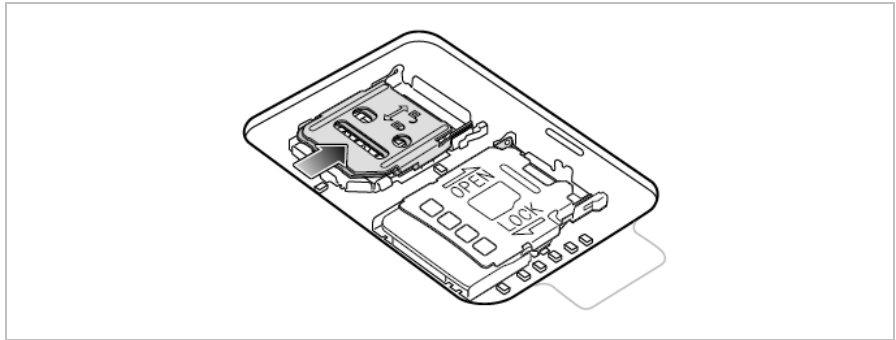
The end user can freely choose which nano-SIM card to use. These components are not specified in the Ex certificate and are considered harmless.

Work steps:

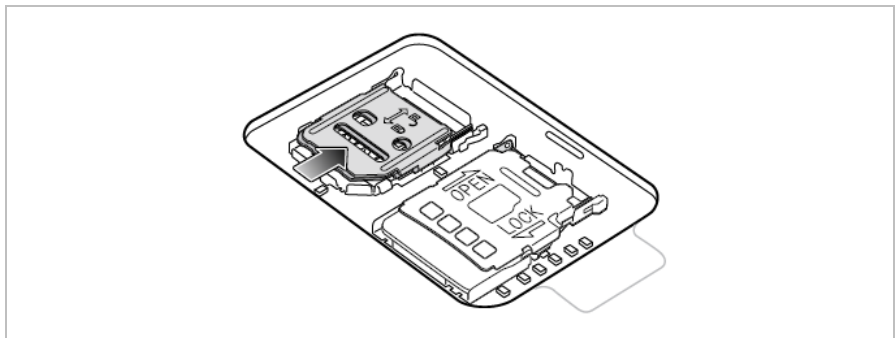
1. Only install or replace the nano-SIM card outside hazardous areas.
2. Remove the hand strap, if installed.
3. Remove the battery.
4. Lift the access door.



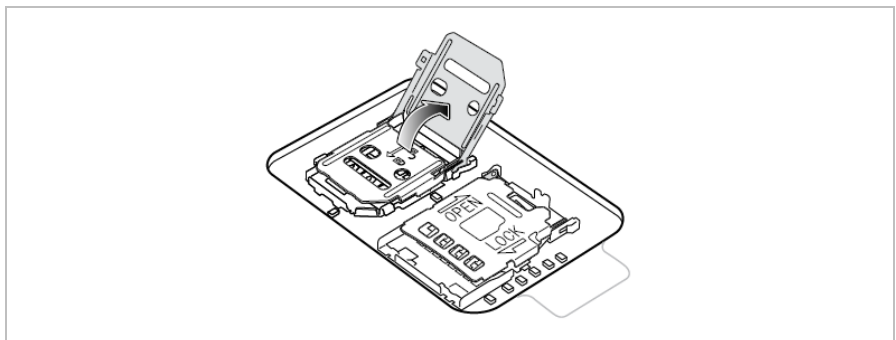
5. Position of the nano-SIM slot in the TC26^{ex}-NI.



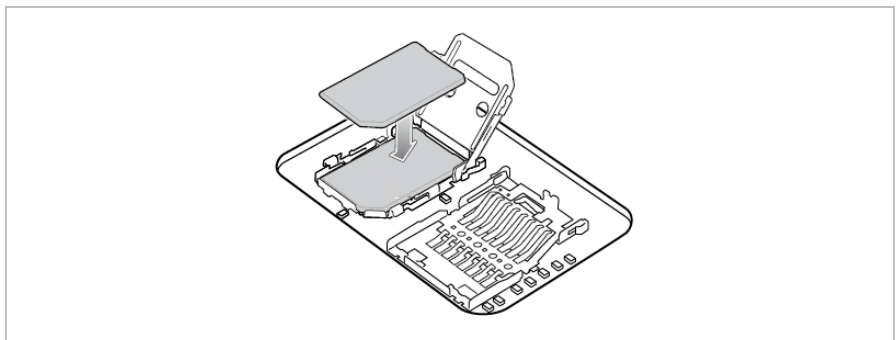
6. Slide the nano-SIM card holder to the unlock position.



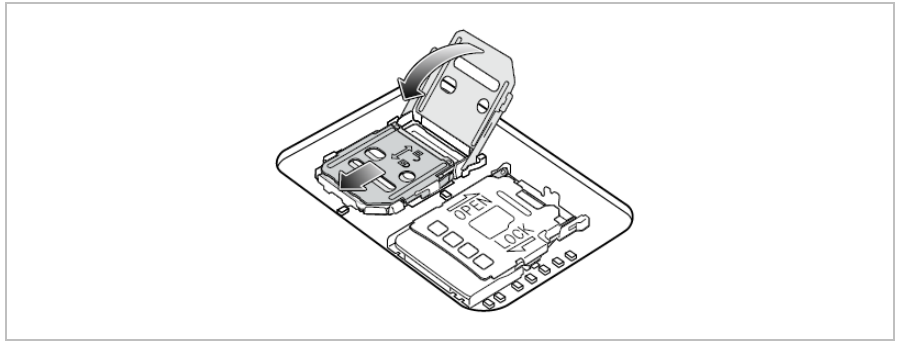
7. Lift the nano-SIM card holder door.



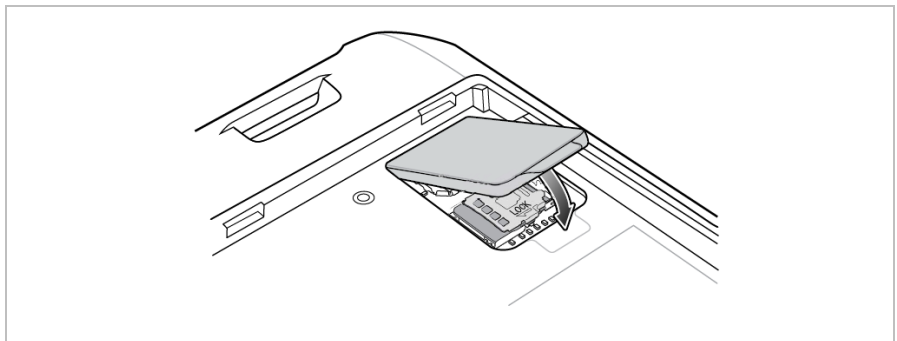
8. Place the nano-SIM card into the card holder with contacts facing down.



9. Close the nano-SIM card holder door and slide to the lock position.



10. Replace the access door.



11. Access door must be replaced and tightened to provide an adequate seal for the device.

8.1.2 Insert microSD card

ATTENTION**Damage to the microSD card through electrostatic discharges!**

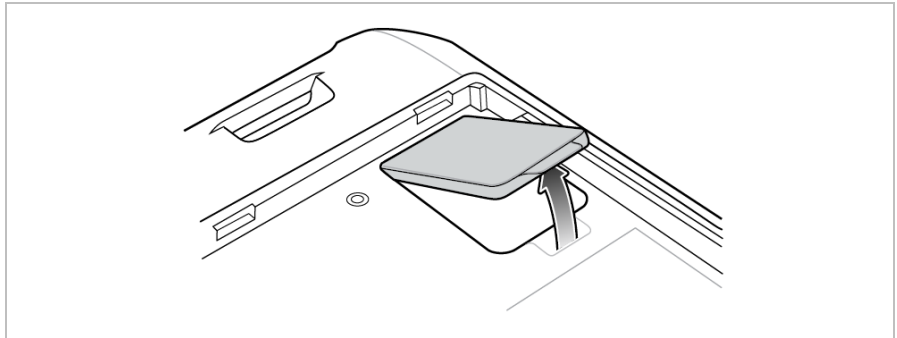
- ▶ Use an antistatic base.
- ▶ Ensure that the operator is correctly earthed.



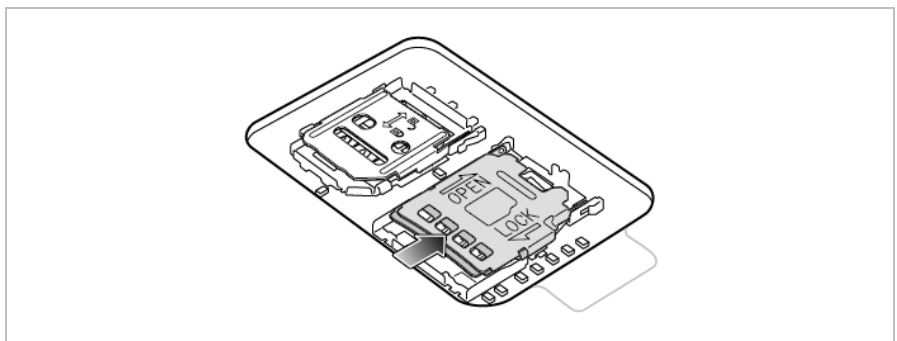
The end user can freely choose which microSD card to use. These components are not specified in the Ex certificate and are considered harmless.

Work steps:

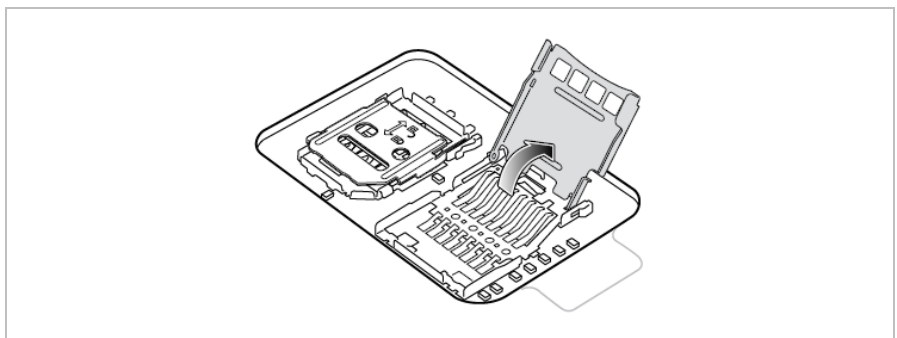
1. Only install or replace the microSD card outside hazardous areas.
2. Remove the hand strap, if installed.
3. Remove the battery.
4. Lift the access door.



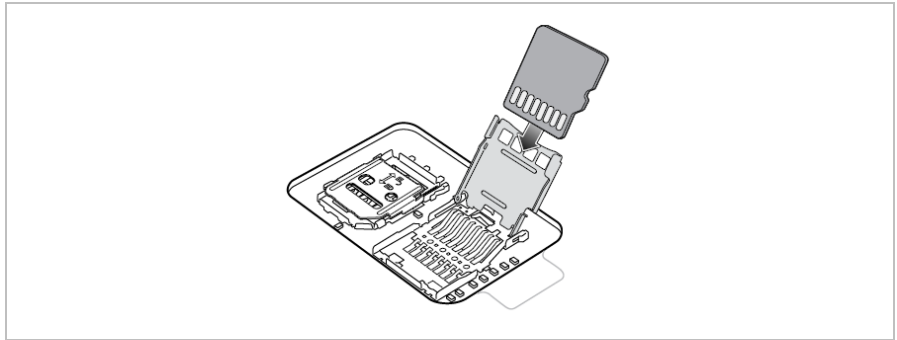
5. Slide the microSD card holder to the Open position.



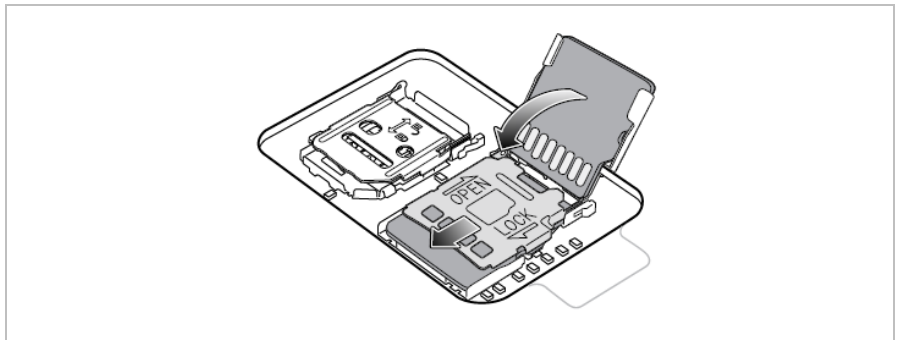
6. Lift the microSD card holder.



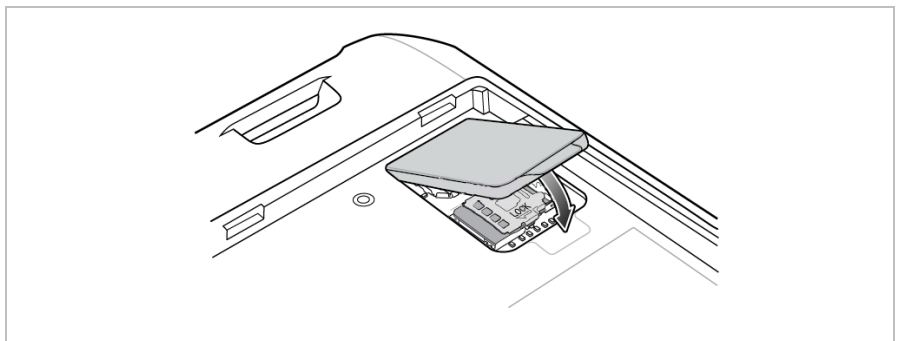
7. Insert the microSD card into the card holder door ensuring that the card slides into the holding tabs on each side of the door.



8. Close the microSD card holder door and slide the door to the Lock position.



9. Replace the access door.



10. Access door must be replaced and tightened to provide an adequate seal for the device.

8.1.3 Insert/change battery

The TC26^{ex}-NI is supplied with a battery:

Type	Order number
Lithium-ion battery 3.8 V/3300 mAh (12.54 Wh)	B7-A2Z0-0075

Also available is an Extended Battery as an optional accessory:

Type	Order number
Lithium-ion battery 3.85 V/5260 mAh (20.25 Wh)	B7-A2Z0-0080

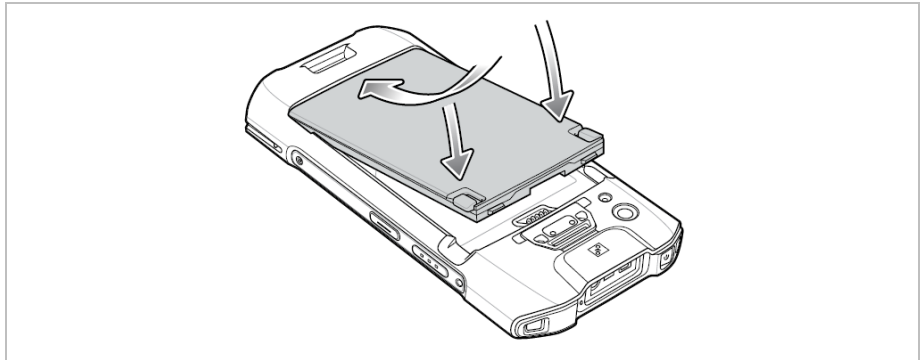
User modifications to the device, especially to the battery compartment, such as labels, engravings, or stickers, may affect the intended performance of the device or accessories.



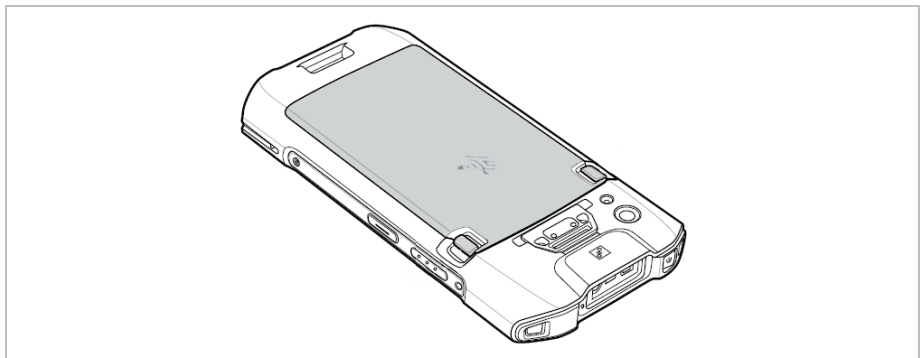
Performance levels such as tightness (Ingress Protection (IP)), shock resistance (drop and fall), functionality, and temperature resistance may be affected. **DO NOT** place labels, engravings, or stickers inside the battery compartment.

Insert battery - work steps:

1. Charge the battery only outside hazardous areas.
2. The battery (Type B7-A2Z0-0075 or B7-A2Z0-0080) may only be inserted/changed outside the hazardous area.
3. Use only batteries which have been tested or certified by BARTEC for this purpose.
4. Insert the battery, bottom first, into the battery compartment in the back of the device. Press the battery down into the battery compartment until the battery release latches snap into place.



5. The battery must be flush with the housing.



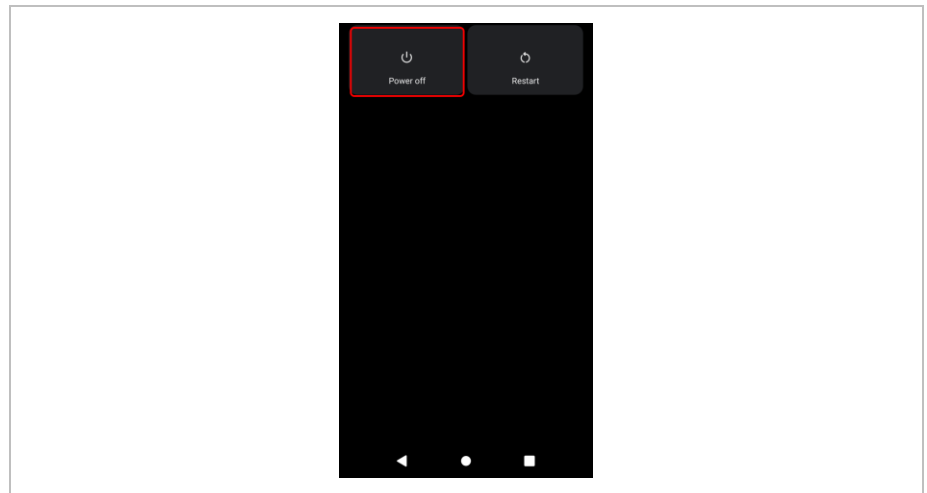
Change battery - work steps:

ATTENTION

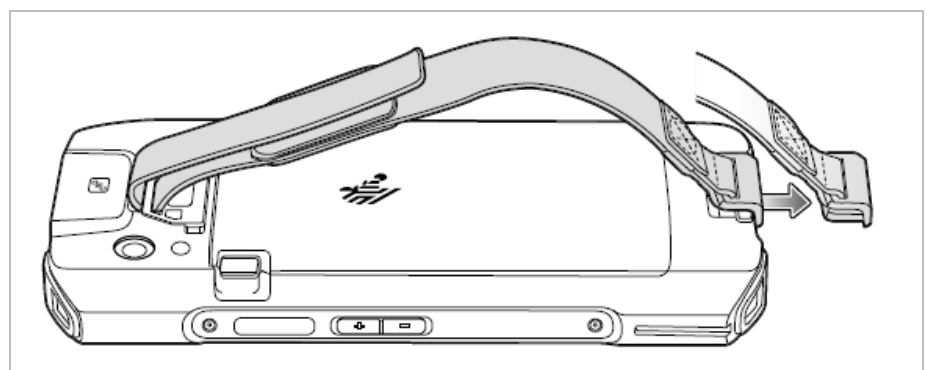
Incorrect handling may cause damage to property!

- ▶ Use only batteries which have been tested or certified by BARTEC for this purpose.
- ▶ Switch off the TC26^{ex}-NI with the "Power Off" function before removing the battery. Errors when removing the battery can result in data loss. The device does not have a hot-swap battery exchange function.

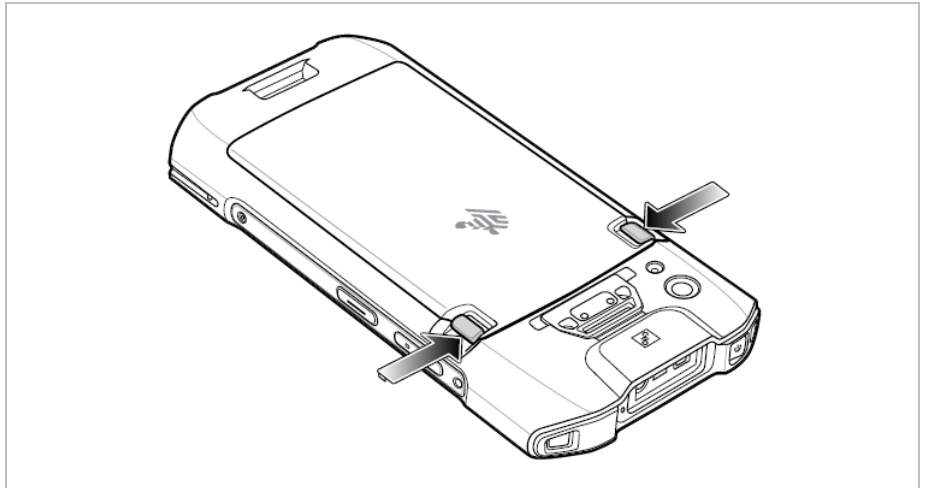
1. Remove any accessory attached to the device. (e.g. Scan handle)
2. Press the Power button until the menu appears.



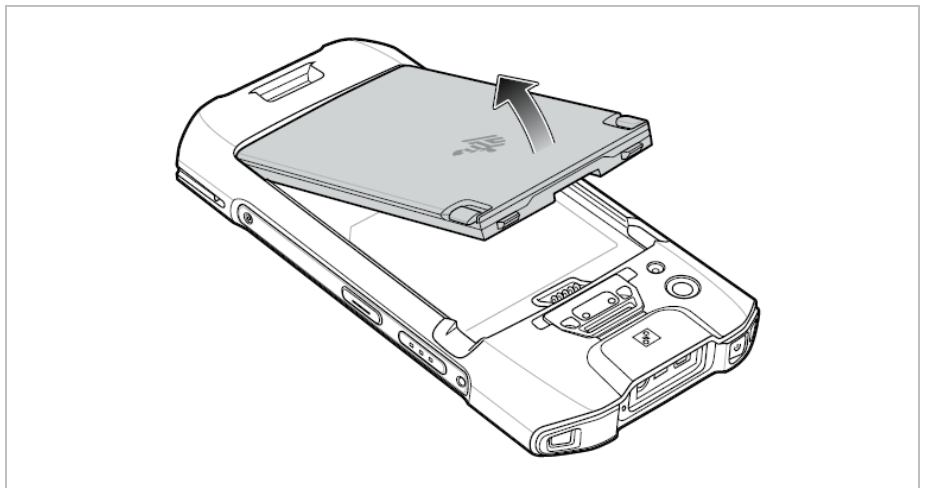
3. Touch Power off.
4. Wait until the device is switched off. (LED indicator goes off and short vibration as feedback).
5. If hand strap is attached, slide the hand strap clip up toward the top of the device and then lift.



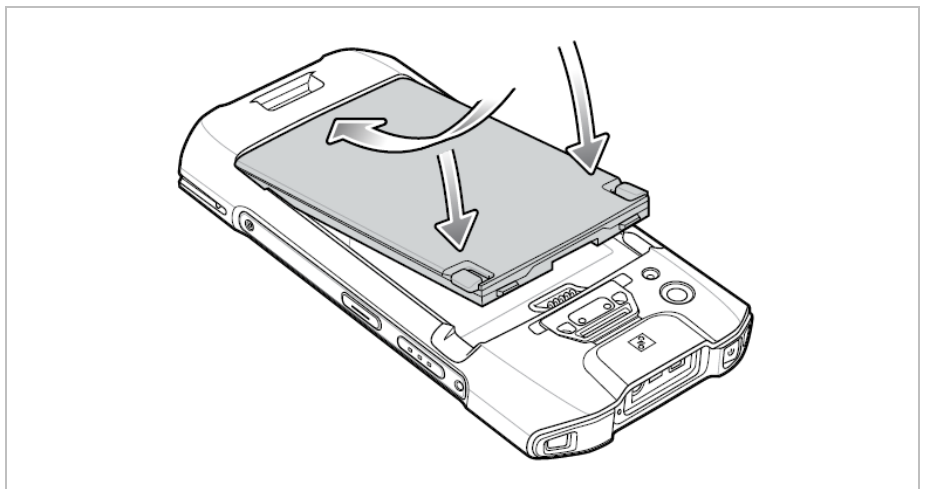
6. Press the two battery latches in.



7. Lift the battery from the device.



8. Insert the replacement battery, bottom first, into the battery compartment in the back of the device.



9. Press the battery down until the battery release latch snaps into place.
10. Replace the hand strap, if required.
11. Press and hold the Power button to turn on the device.

8.1.4 Charging the Main battery

Before using the device for the first time, charge the main battery until the green Charging/Notification light emitting diode (LED) remains lit. To charge the device, use a cable or a cradle with the appropriate power supply.



In many cases, charging the battery to 90% provides plenty of charge for daily use.

8.1.4.1 In Base station (USB/Ethernet)

- Provides 5 VDC power for operating the device.
- Charges the TC26^{ex}-NI with inserted battery.
- Provides USB communication with host computer.

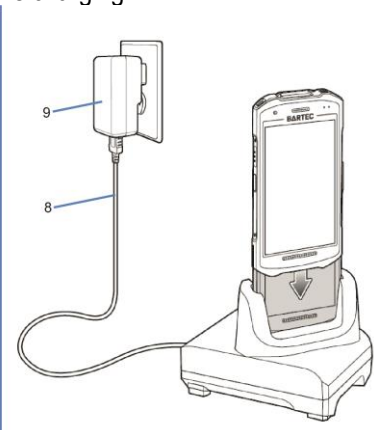
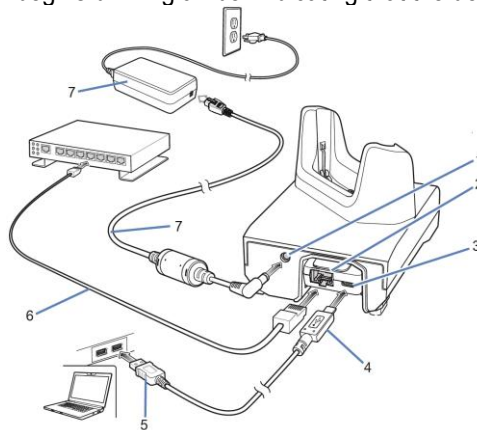
⚠ DANGER

Non certified accessories endanger explosion protection.

Danger to life exists in hazardous areas!

- ▶ Only use the Base station from BARTEC with type G7-A0Z0-0052.

1. Charge the battery only outside hazardous areas.
2. Connect the base station to a power source.
3. Place the bottom of the device into the base station.
4. Rotate the top of the device until the connector on the back of the device mates with the connector on the cradle.
5. Ensure the device is connected properly. The Charging/Notification LED on the device begins blinking amber indicating that the device is charging.



1	DC-power port
2	RJ-45 connector (Ethernet)
3	USB micro-B port
4	USB micro-B connector
5	USB A connector
6	Ethernet cable
7	Power supply with DC connecting cable
8	USB cable
9	Wall charger

8.1.4.2 With USB-C cable

- Provides 5 VDC power for operating the device.
- Charges the TC26^{ex}-NI with inserted battery.
- Enables USB communication with the host computer.

DANGER

**Non certified accessories endanger explosion protection.
 Danger to life exists in hazardous areas!**



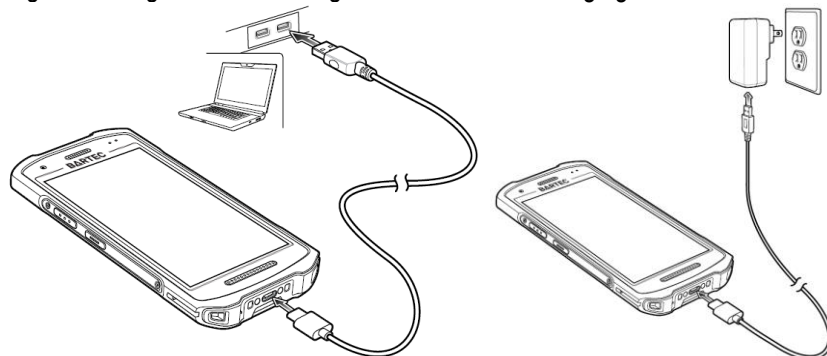
Only use accessories tested by BARTEC:

USB cable with type B7-A2Z0-0046

Wall charger - Version: US with type G7-A0Z0-0056

Wall charger - Version: EU with type G7-A0Z0-0057

1. Charge the battery only outside hazardous areas.
2. Connect the TC26^{ex}-NI with the USB-C cable.
3. Connect the USB-C cable either directly to the USB port on the PC or with a USB adapter.
4. Ensure the device is connected properly. The Charging/Notification LED on the device begins blinking amber indicating that the device is charging.



8.1.4.3 Charging/Notifications-LED

The device's Charging/Notification LED indicates the status of the battery charging in the device.

- The Standard Battery charges in approximately 3 hours (from fully depleted to 90%).
- The extended battery charges in approximately 4 hours (from fully depleted to 90%).

State	Indication
Off	<ul style="list-style-type: none"> ▪ Device is not charging. ▪ Device is not inserted correctly in the cradle or connected to a power source. ▪ Charger/cradle is not powered.
Slow Blinking Amber (1 blink every 4 seconds)	Device is charging.
Slow Blinking Red (1 blink every 4 seconds)	Device is charging but the battery is at end of useful life.
Solid Green	Charging complete.

8.1.5 Charging the spare battery

8.1.5.1 In 4-slot battery charging station



Make sure that you follow all the guidelines for battery safety and observe the following chapter: Requirements in hazardous areas.

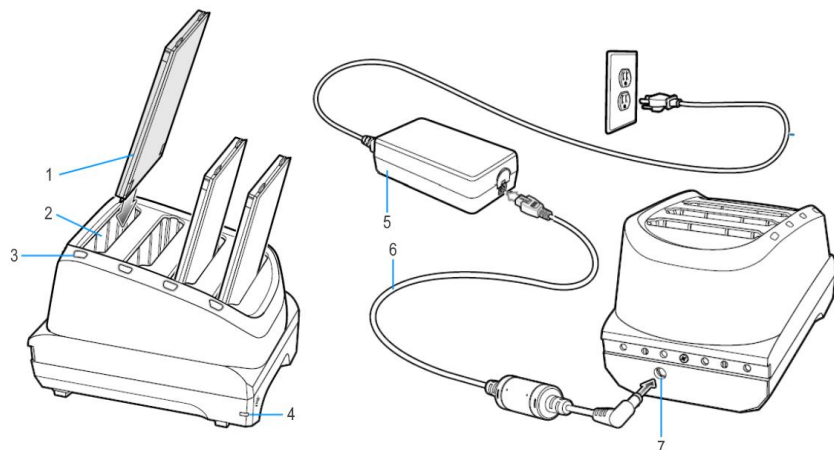
⚠ DANGER

Non certified accessories endanger explosion protection.

Danger to life exists in hazardous areas!

- ▶ Only use the 4-slot battery charging station from BARTEC with type G7-A0Z0-0054.

1. Charge the battery only outside hazardous areas.
2. Connect the 4-slot battery charging station to a power source.
3. Insert the battery into a battery charging well and gently press down on the battery to ensure proper contact.



1.	Spare battery
2.	Battery charging slot
3.	Battery charging LED
4.	Power LED of 4-slot battery charging station
5.	Power supply
6.	DC line cord (connection power supply to 4-slot battery charging station)
7.	DC-power port

8.1.5.2 Charging LED

The device's Charging/Notification LED indicates the status of the battery charging in the device.

- The Standard Battery charges in approximately 3 hours (from fully depleted to 90%).
- The extended battery charges in approximately 4 hours (from fully depleted to 90%).



Each battery charging LED indicates the status of the charging process in each slot.

State	Indication
Slow Blinking Amber	Spare battery is charging.
Solid Green	Spare battery charging is complete.
Solid Red	<ul style="list-style-type: none"> ▪ Spare battery is charging and battery is at the end of useful life. ▪ Charging complete and battery is at the end of useful life.
Fast Blinking Red	Charging error. <ul style="list-style-type: none"> ▪ Check placement of spare battery ▪ Check if battery is at the end of useful life.
Off	<ul style="list-style-type: none"> ▪ The battery is not charging. ▪ The battery is not inserted in the battery charging station. ▪ The battery is not correctly inserted in the battery charging station. ▪ Base station/battery charging station is not powered.

8.1.6 Hand strap

The hand strap provides securing when holding the device.

⚠ DANGER

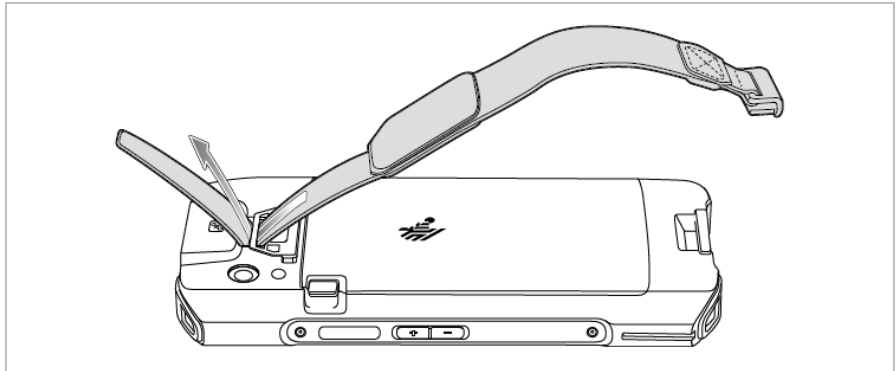
Non certified accessories endanger explosion protection.

Danger to life exists in hazardous areas!

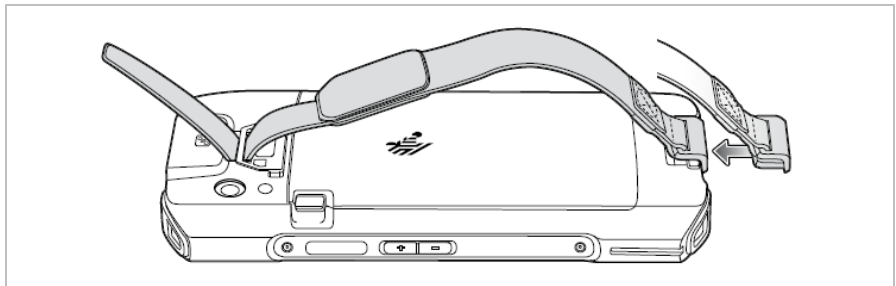
▶ Only use the Hand strap from BARTEC with type B7-A2Z0-0079

To install the Hand strap on the device:

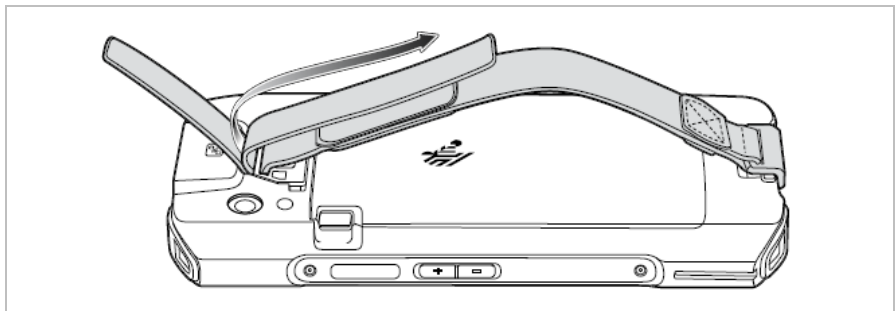
1. Install or replace the handstrap only outside hazardous areas.
2. Feed the top end of the hand strap through the slot at the top of the device.



3. Pull the end through the slot.
4. Insert the other end of the hand strap into the hand strap slot on the bottom of the device.



5. Pull the hand strap until the clip snaps into the slot.
6. Place hand between device and hand strap and adjust hand strap as necessary.



8.1.7 Scan handle

The Scan handle adds a gun-style handle with a scanning trigger to the device. It increases comfort when using the device in scan-intensive applications for extended periods of time.

⚠ DANGER

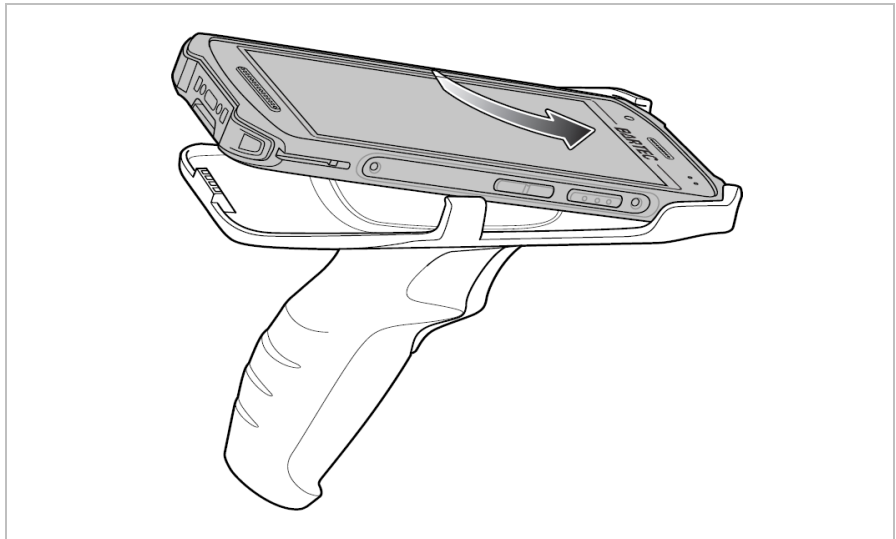
Non certified accessories endanger explosion protection.

Danger to life exists in hazardous areas!

▶ Only use the Scan handle from BARTEC with type B7-A2Z0-0078.

To insert the device into the Scan handle:

1. Insert the device into the Scan handle only outside hazardous areas.
2. Align and insert the top of the device into the front of the Scan handle.

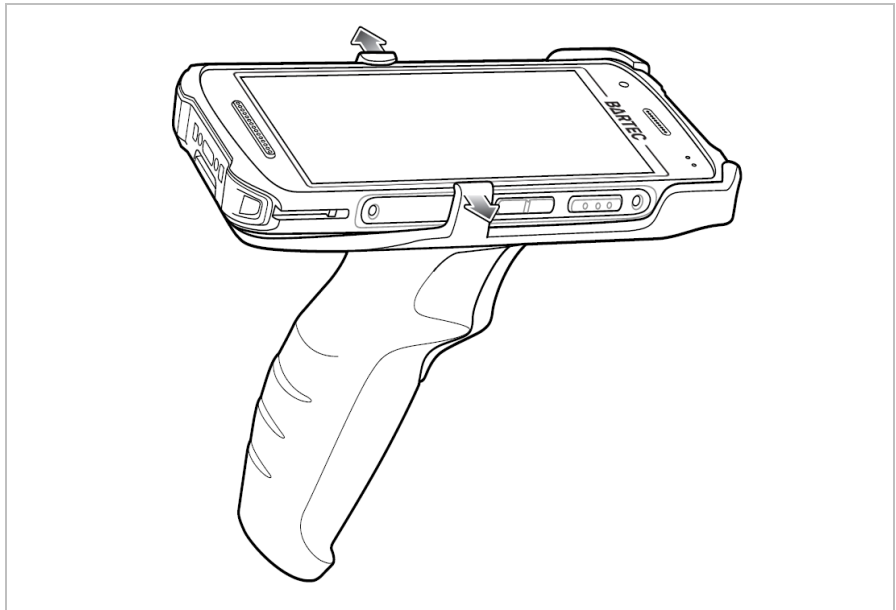


3. Rotate the device down and press down until it snaps into place.

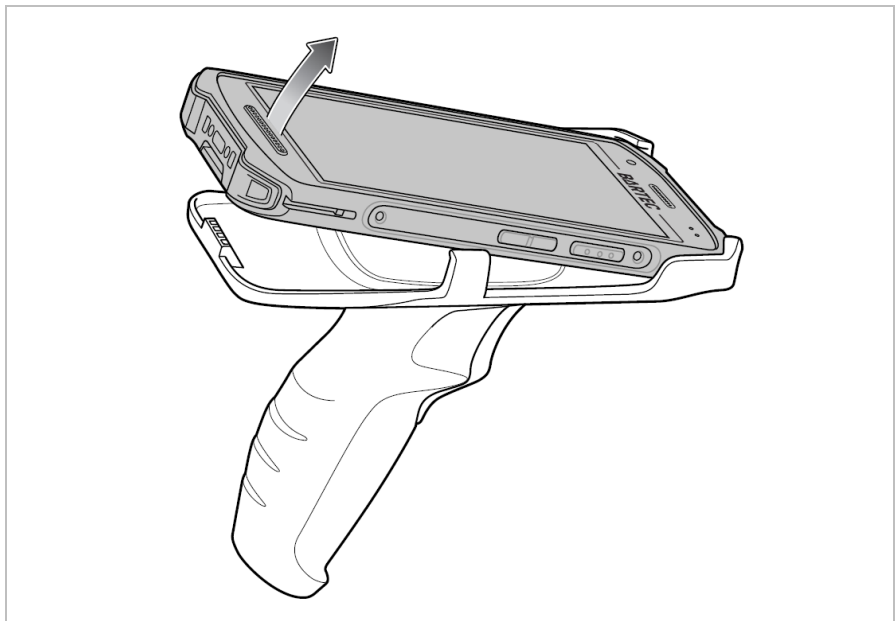


To remove the device from the Scan handle:

1. Remove the device from the Scan handle only outside hazardous areas.
2. Press Scan handle release latches.



3. Rotate the bottom of the device up.



8.1.8 Using the touch screen

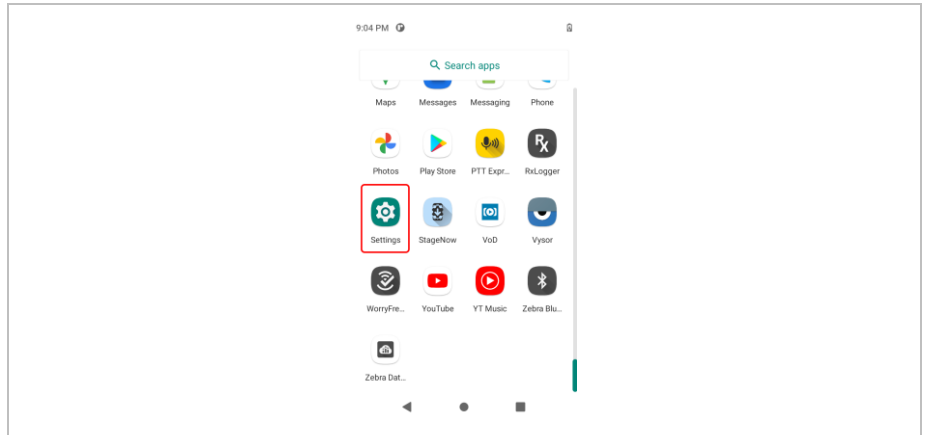
The touch screen can be operated using the following methods.

- Finger
- Gloves

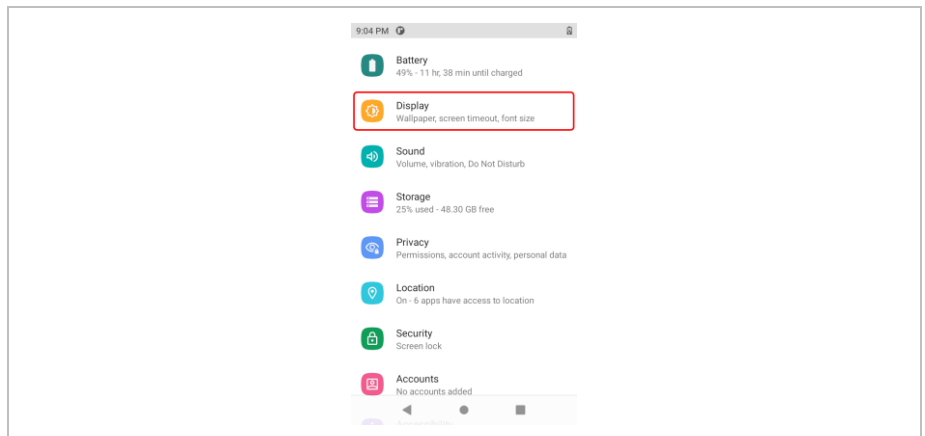
Please note that the touch mode must be adjusted depending on the method used.

Work steps:

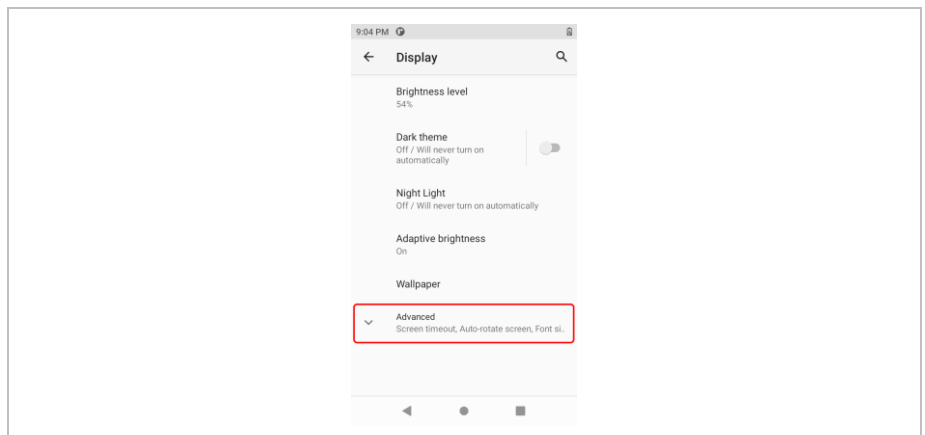
1. Go to the **Settings**.



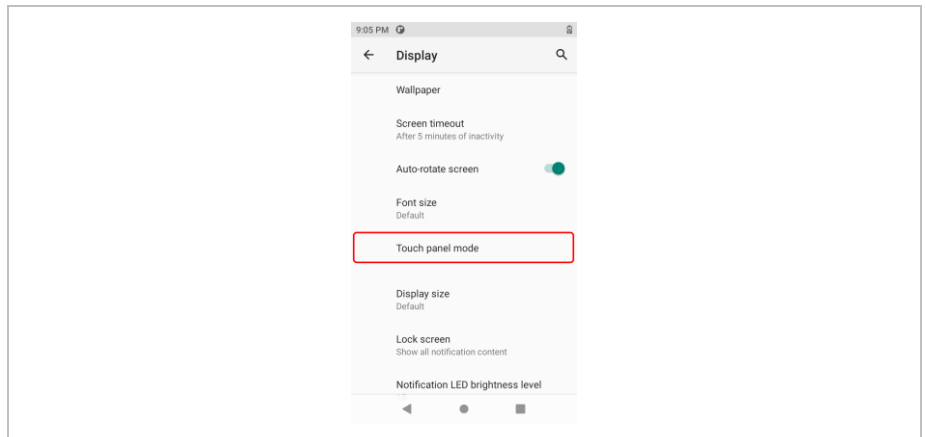
2. Scroll down and select the **"Display"** menu.



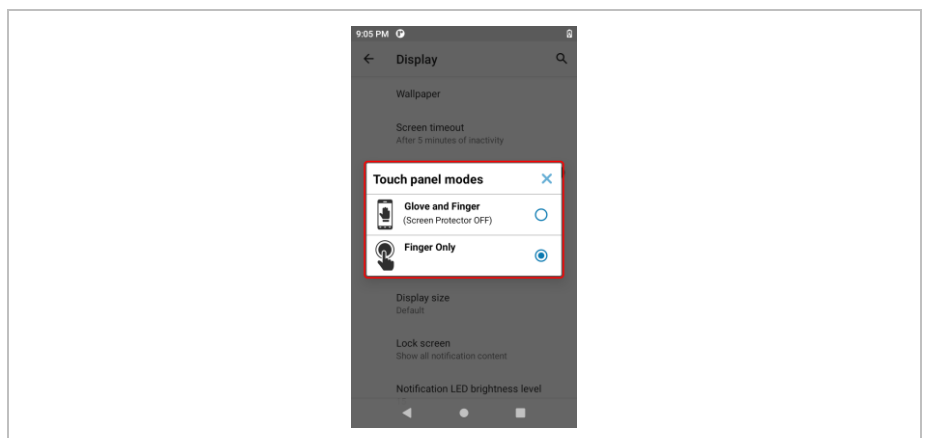
3. Select **"Advanced"** in the menu.




4. Select "Touch panel mode" in the menu.



5. Set the "Touch Mode" for your input method.



- Glove and Finger (screen protector off), to operate the screen with fingers or glove.
 - Finger only, to operate the screen with finger only.
6. Exit the menu by touch on the backspace key  or the "Home Screen" key.



Detailed information and further instructions on the use of the touch screen can be found in the "Product Reference Guide TC26 (EN)" from ZEBRA.

8.2 Scanning - Barcode

Use the internal 1D/2D imager to capture barcode data.

8.2.1 Scanning

1. Ensure that an application is open on the device and a text field is in focus (text cursor in text field).
2. Point the top of the device at a barcode.
3. Press and hold the Scan button or trigger.
The red laser aiming pattern turns on to assist in aiming.



NOTE: When the device is in "Picklist Mode", the device will not decode the barcode until the center of the crosshairs touches the barcode.

4. Ensure the barcode is within the area formed by the cross-hairs in the aiming pattern.
The aiming dot is used for increased visibility in bright lighting conditions.
5. The Scan LEDs light green and a beep sounds, by default, to indicate the barcode was decoded successfully.
6. Release the scan button or trigger key.

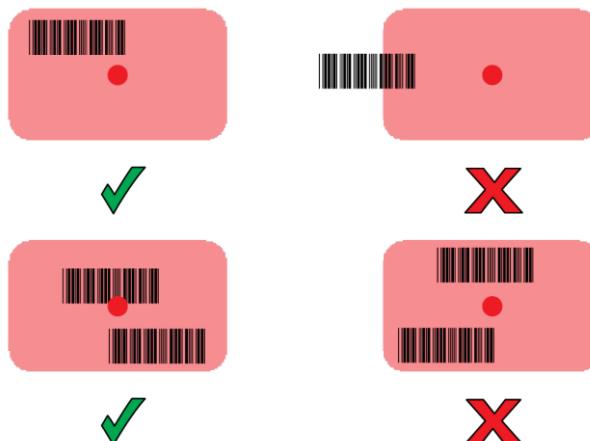


Note:

Decoding of the imager is normally instantaneous. The device repeats the steps required to make a digital image (Image) of a bad or difficult barcode as long as the scan button remains pressed.

The content data of the barcode is displayed in the text field.

Aiming Pattern – Default Settings

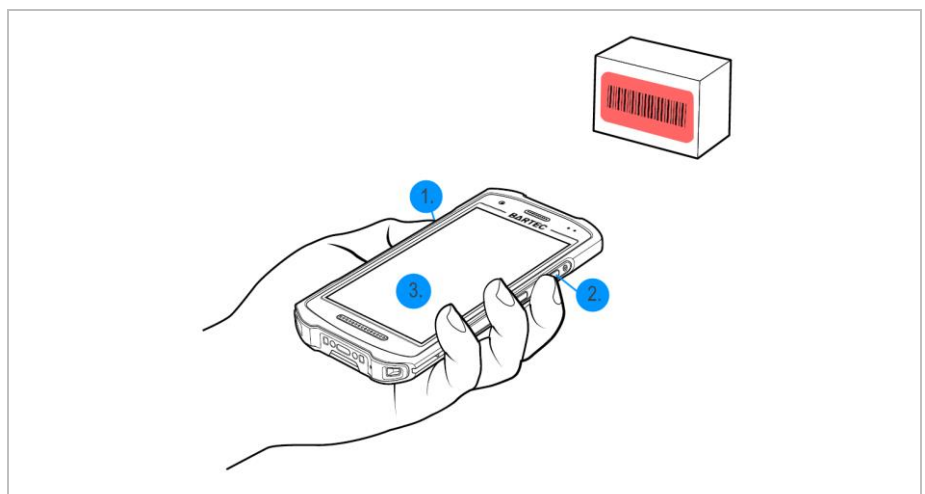


“Picklist Mode” with Multiple Barcodes

In Picklist Mode, the scan engine only decodes barcodes that are aligned under the laser crosshair or LED aiming point. It allows the user to select and scan a single barcode from an array of barcodes.



8.2.2 Scan buttons for the scanner



1. Left scan button (Trigger button)
2. Right scan button (trigger button)
3. Virtual trigger key
 - in the software application
 - "Swipe Assist" tool (part of Datawedge) allows free placement of a virtual scan trigger

8.2.3 Datawedgs

The Zebra DataWedge application is preinstalled on the touch computer.
The application is freeware.



For more information on DataWedge, see:

<https://www.zebra.com/us/en/products/software/mobile-computers/datawedge.html>

Guide to DataWedge:

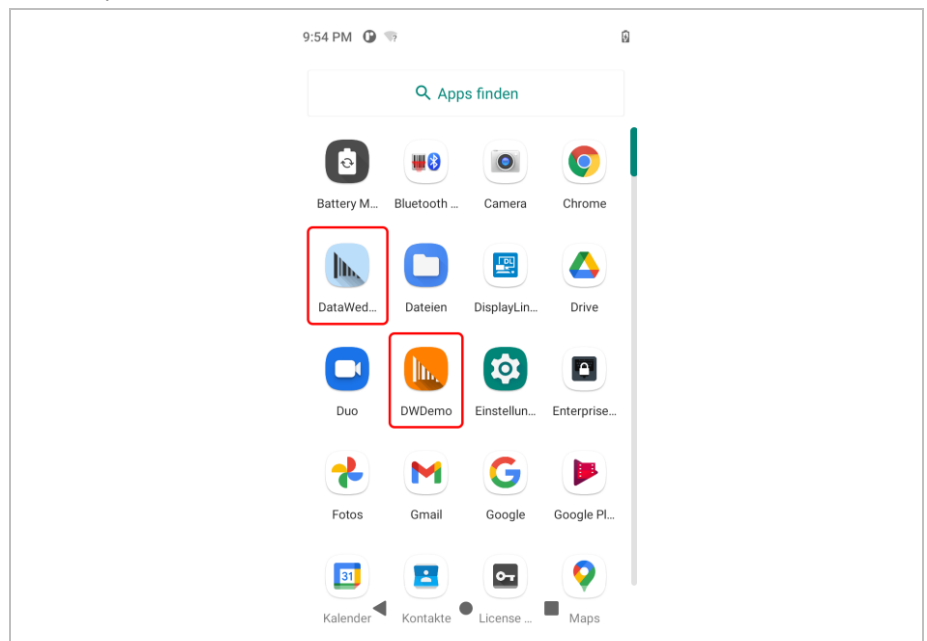
<https://techdocs.zebra.com/>

The DataWedge is a utility that adds advanced barcode scanning capabilities to any application without writing code. It runs in the background and manages the interface to built-in barcode scanners. Captured barcode data is converted to keyboard input and sent to the target application as if it had been entered from the keyboard.

With DataWedge, any application on the device can retrieve data from the barcode scanner and manipulate the data using options or rules.

Configure DataWedge for:

- Provide data collection services from any application.
- Use a specific scanner, reader, or other peripheral device.
- To properly format and transfer data to a specific application.



8.3 Scanning – RFID NFC/HF

NFC/HF RFID is a short-range wireless connectivity technology standard that enables a secure transaction between a reader and a contactless smartcard.

The technology is based on ISO/IEC 14443 type A and B (proximity) ISO/IEC 15693 (vicinity) standards, using the HF 13.56 MHz unlicensed band.

The device supports the following operating modes:

- Reader mode
- Card Emulation mode

With NFC, the device can:

- Read contactless cards such as contactless tickets, ID cards and ePassport.
- Read and write information to contactless cards such as SmartPosters and tickets, as well as devices with NFC interface such as vending machines.
- Exchange data with another NFC device.
- Emulate contactless cards such as payment, or ticket, or SmartPoster.

The device NFC antenna is positioned to read NFC cards from the top of the device while the device is being held.

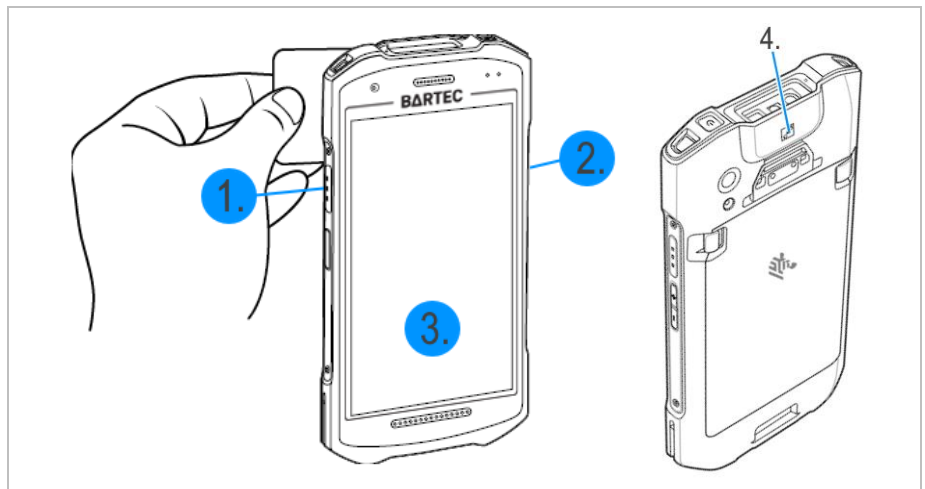
8.3.1 Scanning

1. Start an NFC-enabled application.
2. Move the device near the NFC card until the card is detected.
3. Hold the card in position until the read process is complete. This is usually indicated/acknowledged by the application.



For detailed information on the RFID NFC/HF reader used, refer to the "Product Reference Guide TC26 (EN)" from ZEBRA.

8.3.2 Scan buttons and antenna position



1. Left scan button (Trigger button)
2. Right scan button (Trigger button)
3. Virtual trigger key
- in the software application
4. Position of the NFC/HF antenna

9 Disposal



Touch Computer and accessories contains metallic and plastic parts and electronic components.

WEEE registration number of the BARTEC GmbH:
DE 95940350



As professional electrical devices, our devices are intended exclusively for commercial use, so-called B2B devices, in accordance with the WEEE Directive. The WEEE Directive provides the framework for the treatment of old electrical equipment throughout Europe. This means that you may not dispose of these devices in usual household waste but must dispose of them separately in an environmentally compatible manner and can also bring them to the collection points of public disposal companies. All products purchased from us can be returned to us by our customers for disposal. We will ensure disposal in accordance with the applicable laws. The sender shall bear the costs of postage and packaging.

BARTEC

BARTEC GmbH
Max-Eyth-Str. 16
97980 Bad Mergentheim
Germany

Phone: +49 7931 597 0
info@bartec.com

bartec.com