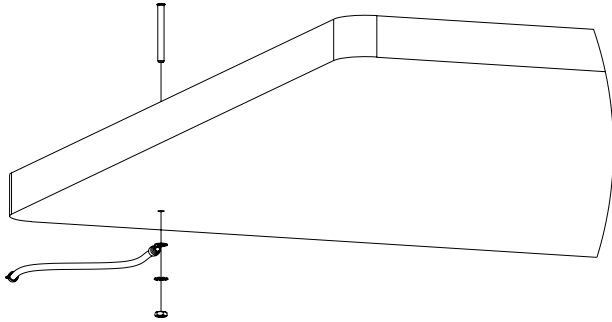


GROUND BOLT

For ESD Laminate Worksurfaces and Shelving



| PARTS AND HARDWARE | QUANTITY |
|--------------------|----------|
| Ground Bolt | 1 |
| Ground Wire | 1 |
| Washer | 2 |
| Nut | 1 |

1. Insert Ground Bolt through top of work surface through pre-drilled hole.
2. Slip ground wire over bolt underneath the work surface. Add the nut and tighten.
3. Ground other end of wire to electrical ground.
4. For additional information on grounding, contact your company's ESD manager or the ESD Association at 315.339.6937, www.esda.org.