



## WORKSTATIONS

### PEDSYS SERIES, LEFT SIDE STORAGE RIGHT SIDE STORAGE

Item Numbers 7000-7232, 7400-7455

PARTS AND HARDWARE	QUANTITY
--------------------	----------

Frame Leg, Left or Right	1
PedSys Support Leg	1
Leg Adjusters	3
Short Support Rail (Front)	1
Long Support Rail (Back)	1
Chrome Mounting Plate	4
Leveling Feet	7
Basic Bolts	17
3/8 Kep nuts	3
Wood screws	14
Storage Package	1
7/32 Basic Allen Wrench (included)	1

#### Other Items Needed (not included)

Worksurface (sold separately)

Phillips head screwdriver or drill

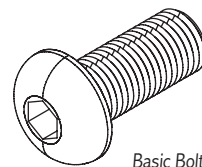
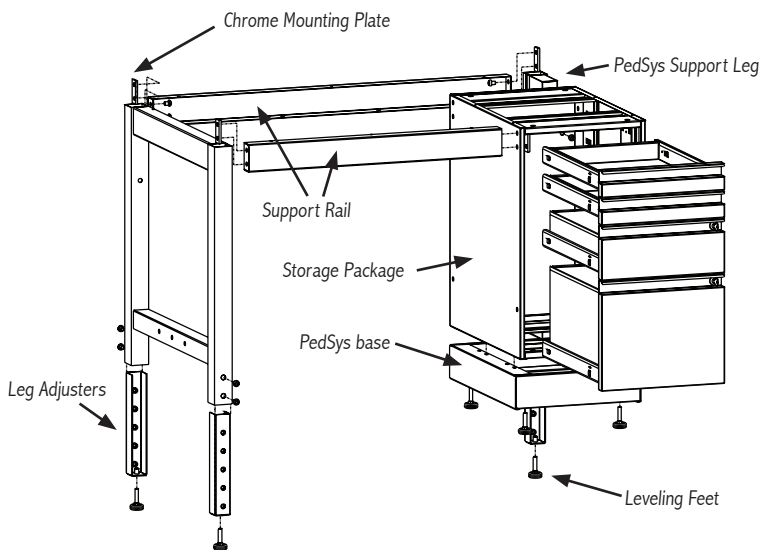
Rubber Mallet

Level

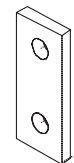
Tape Measure

#### Assembly Tips

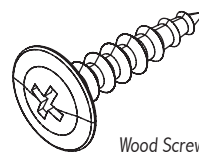
- Review entire instruction manual before proceeding.
- Production Basics name plate indicates front of frame.
- Don't be a slave to gravity—recruit a co-worker to help you install and correctly position components and accessories.
- References to 'Left' and 'Right' are oriented as if you were facing the front of the workstation.



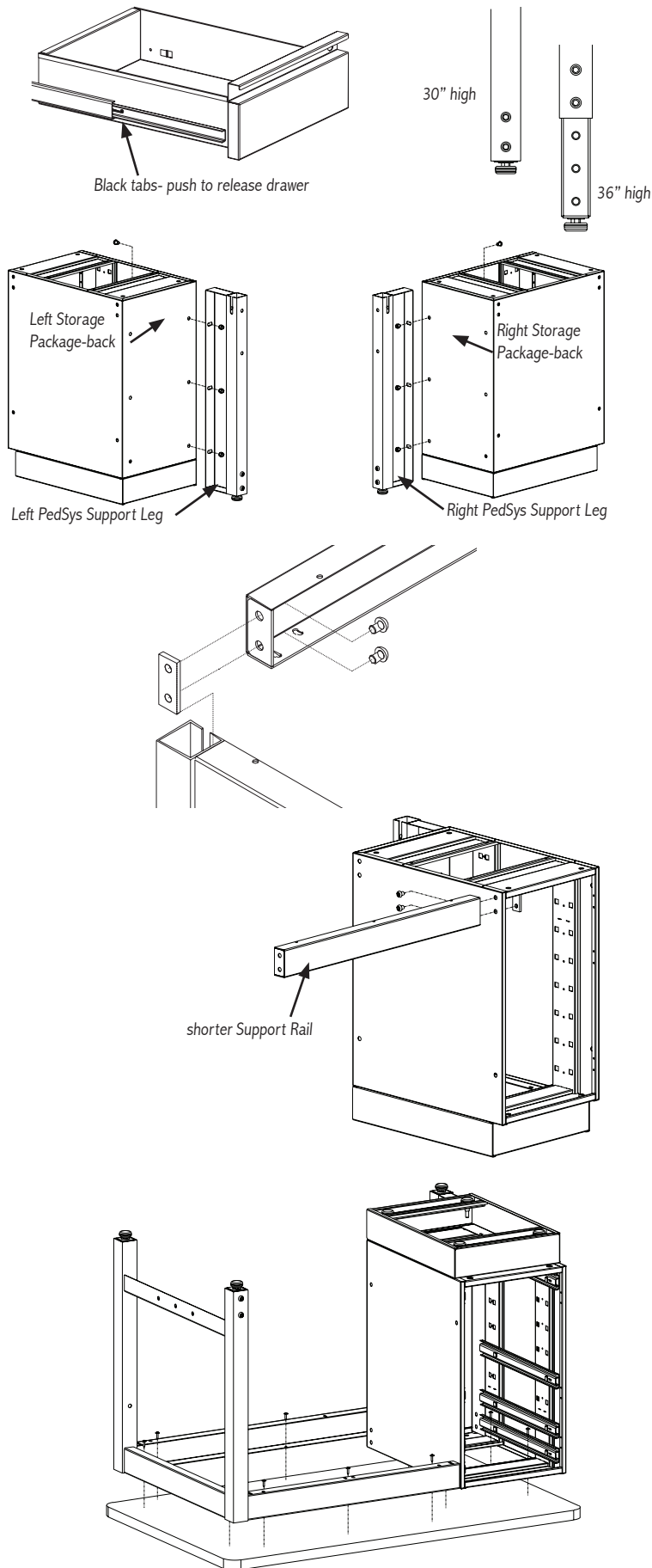
Basic Bolt



Chrome Mounting Plate



Wood Screw



1. Remove drawers and/or pull-out shelves from the Storage Package by pushing up or down (depending on side) on the black tabs on both sides of the drawer slide and pull forward. Set aside.
2. Screw leveling feet into the bottom of the Leg Adjusters.
3. Slide Leg Adjusters into the bottom of Frame Leg and PedSys Support Leg and secure position by inserting two (2) Basic Bolts. For 30" high models, Basic Bolts will secure Leg Adjusters in the lowest position. For 36" high models, Basic Bolts will secure Leg Adjusters in the highest position, using top 2 holes on the Frame and Support Leg.
4. Insert the Basic Bolt from the inside of the Storage Package through the PedSys Support Leg and secure with kep nut. **Note steps 4a and 4b below before continuing.**
  - a. **For Left-side Storage**, punch out bolt holes using a mallet and screwdriver. PedSys Support Leg will be positioned on the far **LEFT REAR** corner on the back of the Storage Package.
  - b. **For Right-Side Storage**, punch out bolt holes using a mallet and screwdriver. PedSys Support Leg will be positioned on the far **RIGHT REAR** corner on the back of the Storage Package.
5. Locate Support Rails. Loosely attach the Chrome Mounting Plates to the outside of the longer Support Rail with two (2) Basic Bolts using Allen wrench provided. Attach Chrome Mounting Plate to outside of shorter Support Rail, opposite the position of your Storage Package. Oval slots face downward.
6. Set Support Rail between Frame Leg from Step 3 and the PedSys Support Leg from Step 4, creating the back width of your work bench. Channel faces inward. Tighten bolts.
7. Punch out bolt holes on side corner of Storage Package using a mallet and screwdriver. Set shorter Support Rail (channel faces inward) with attached Chrome Mounting Plate in the Frame Leg. Insert Basic Bolts from the inside of the Support Rail through the Storage Package and secure with a Chrome Mounting Plate on the inside corner of Storage Package. Tighten connections.
8. Make final adjustments and tighten all hardware, ensuring PedSys Support Frame and Storage Package components are square.
9. Invert the assembled PedSys work bench onto the underside of the worksurface. Position the worksurface flush with the back of the unit with equal overhang, left and right.
10. Attach the worksurface to the assembly by drilling wood screws through the pre-drilled holes in the Support Rails and Storage Package, then into the underside of the worksurface. For Phenolic Resin surfaces, see Phenolic Resin assembly instructions.
11. Turn complete assembly right side up. Replace drawers and pull-out shelves in Storage Package.