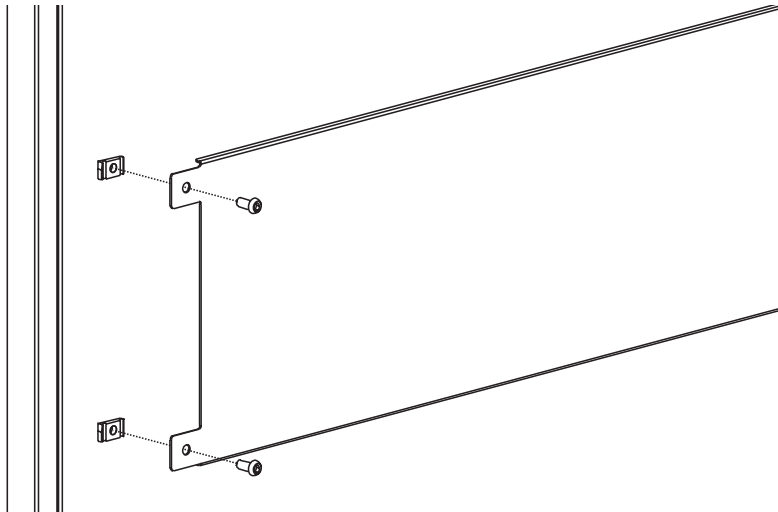


GLOBAL INSTALLATION: These instructions apply to the following accessories:

| | |
|--------------------------|-------------------------------------|
| Peg Board | Item Numbers 8721-8724 |
| Bin Panel Enclosure | Item Numbers 8312-8315 |
| Tack Board | Item Numbers 8729, 8730, 8733, 8735 |
| Modesty Panel | Item Numbers 8705, 8709, 8712, 8715 |
| Magnetic Dry Erase Board | Item Numbers 8716-8719 |
| Multi- Panel Enclosures | Item Numbers 8776-8797 |



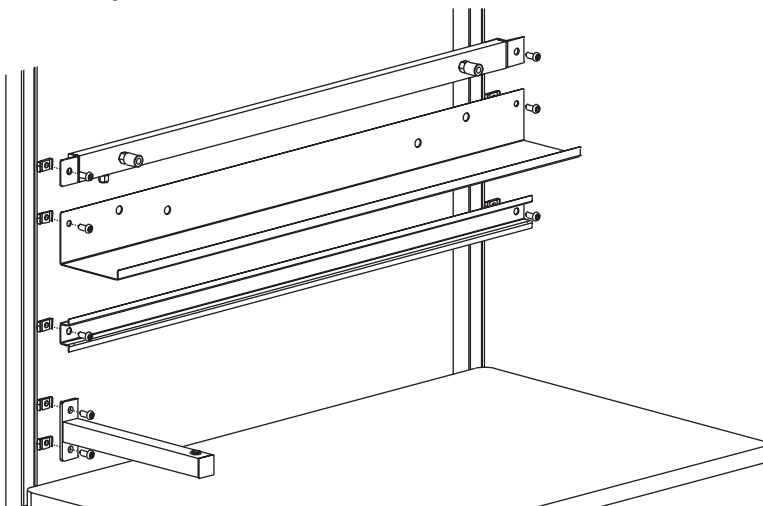
ACCESSORIES

| PARTS AND HARDWARE | QUANTITY |
|--|----------|
| Basic Bolts | 4 |
| Basic Nuts | 4 |
| 7/32 Allen Wrench | 1 |
| Other Items Needed (not included) | |
| Tape Measure | |
| Level | |

1. Insert a Basic Bolt into the holes on the product's mounting plate. Secure with a Basic Bolt by turning one revolution.
2. Insert the nuts into the Frame or Uprights and tighten bolts.
3. Repeat for other side

GLOBAL INSTALLATION: These instructions apply to the following accessories:

| | |
|-------------------------|-------------------------------------|
| Tool Shelf and Bin Rail | Item Numbers 8492-8494 |
| Universal Mount | Item Numbers 8640, 8643 |
| Cable Trough | Item Numbers 8620-8623 |
| Binder Holder | Item Numbers 8352 |
| Document Holder | Item Numbers 8353 |
| Peg Board Panel | Item Numbers 8626, 8649 |
| Parts Bin Panel | Item Numbers 8627, 8639 |
| Tray Arm | Item Numbers 8630, 8631 |
| Flat Screen Monitor Arm | Item Numbers 8632 |
| Air Rail | Item Numbers 8330, 8331, 8333, 8336 |
| Bin Rail | Item Numbers 8300, 8301, 8303, 8306 |
| Universal Mounting Bar | Item Numbers 8675-8678 |

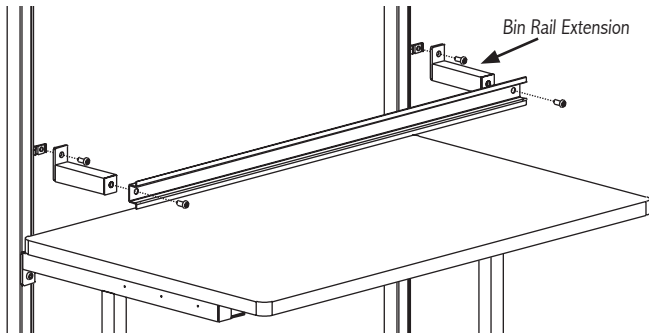


| PARTS AND HARDWARE | QUANTITY | |
|--|-------------|------------|
| | BASIC BOLTS | BASIC NUTS |
| Tool Shelf and Bin Rail | 2 | 2 |
| Universal Mount | 2 | 2 |
| Cable Trough | 2 | 2 |
| Binder Holder | 2 | 2 |
| Parts Bin Panel | 2 | 2 |
| Air Rail | 2 | 2 |
| Bin Rail | 2 | 2 |
| 7/32 Allen Wrench | 1 | |
| Other Items Needed (not included) | | |
| Tape Measure | | |
| Level | | |

1. Insert a Basic Bolt into the holes on the product's mounting plate. Secure with a Basic Nut by turning one revolution.
2. Insert the nuts into the Frame or Uprights and tighten bolts.
3. Repeat for other side.

BIN RAIL EXTENSION

Item Numbers 8308, 8310

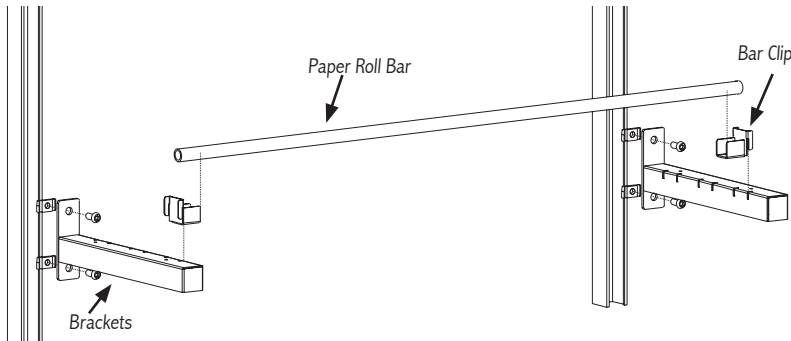


| PARTS AND HARDWARE | QUANTITY |
|--------------------|----------|
| Basic Bolts | 2 |
| Basic Nuts | 2 |
| Bin Rail Extension | 2 |
| 7/32 Allen Wrench | 1 |

1. Attach extension to back of Parts Bin Rail by inserting a Basic Bolt through hole on the Bin Rail and into Extension. Repeat for other side. Tighten bolts.
2. Insert Basic Bolt through mounting plate on Extension, secure with a Basic Nut, turning one revolution.
3. Insert the nuts into the Frame or Uprights and tighten bolts.

ENCLOSURES: PAPER & LABEL ROLL HOLDER

Item Numbers 8740-8743

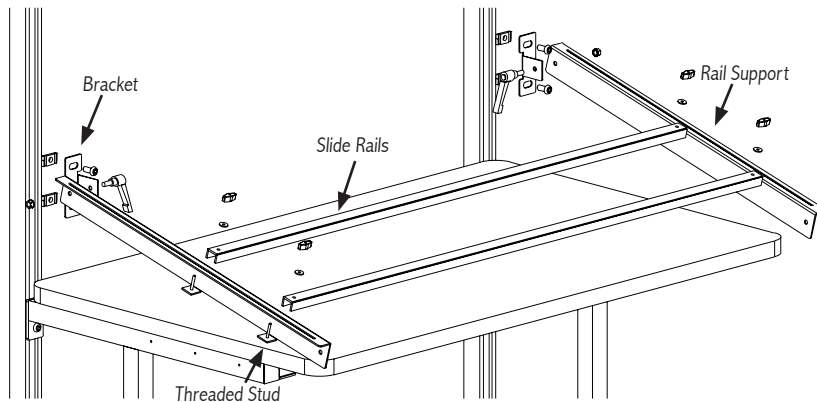


| PARTS AND HARDWARE | QUANTITY |
|--------------------|----------|
| Paper Roll Bar | 1 |
| Brackets | 2 |
| Bar Clip | 2 |
| Basic Bolts | 4 |
| Basic Nuts | 4 |
| 7/32 Allen Wrench | 1 |

1. Insert Basic Bolt into holes on bracket. Secure with a Basic Nut turning one revolution.
2. Insert Nuts into Frame or Upright and tighten bolts. Notches on brackets face inward, as shown. Repeat for other bracket. Measure or use a level to ensure brackets are at the same height.
3. Insert the bar clip into one of 3 positions on the bracket. Repeat for other bar clip in the same position.
4. Add labels, foam or paper rolls to rod and nest rod into each bar clip.

ENCLOSURES: SLIDE LINE

Item Numbers 8770- 8773



| PARTS AND HARDWARE | QUANTITY |
|------------------------|----------|
| Slide Rails | 2 |
| Brackets | 2 |
| Rail Support | 2 |
| Basic Bolts | 4 |
| Basic Nuts | 4 |
| Handles | 2 |
| Keyp Nut | 2 |
| Threaded Stud and Knob | 4 |
| 7/32 Allen Wrench | 1 |

1. Insert Basic Bolt into holes on bracket. Secure with a Basic Nut turning one revolution.
2. Position brackets on the left and right with bracket flange on the inside, as shown. Insert Nuts through bracket and into Frame or Upright as shown in diagram and tighten bolts. Repeat for other bracket. Measure or use a level to ensure brackets are at the same height.
3. Position rail supports as shown. Line up holes on rail supports with holes on bracket flange. Insert a handle into the hole from the inside (recommended) and secure with a key nut.
4. To install slide rails, position rails to accommodate your circuit boards and insert a threaded stud through the bottom of the rail support and slide rail. Secure with silver knob.