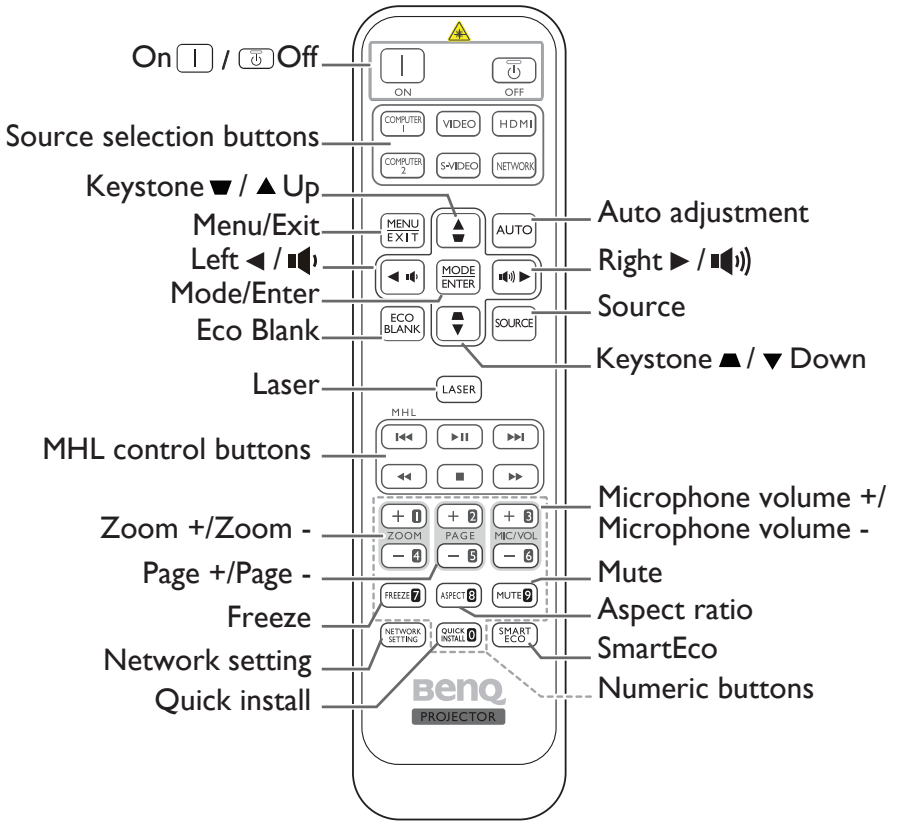
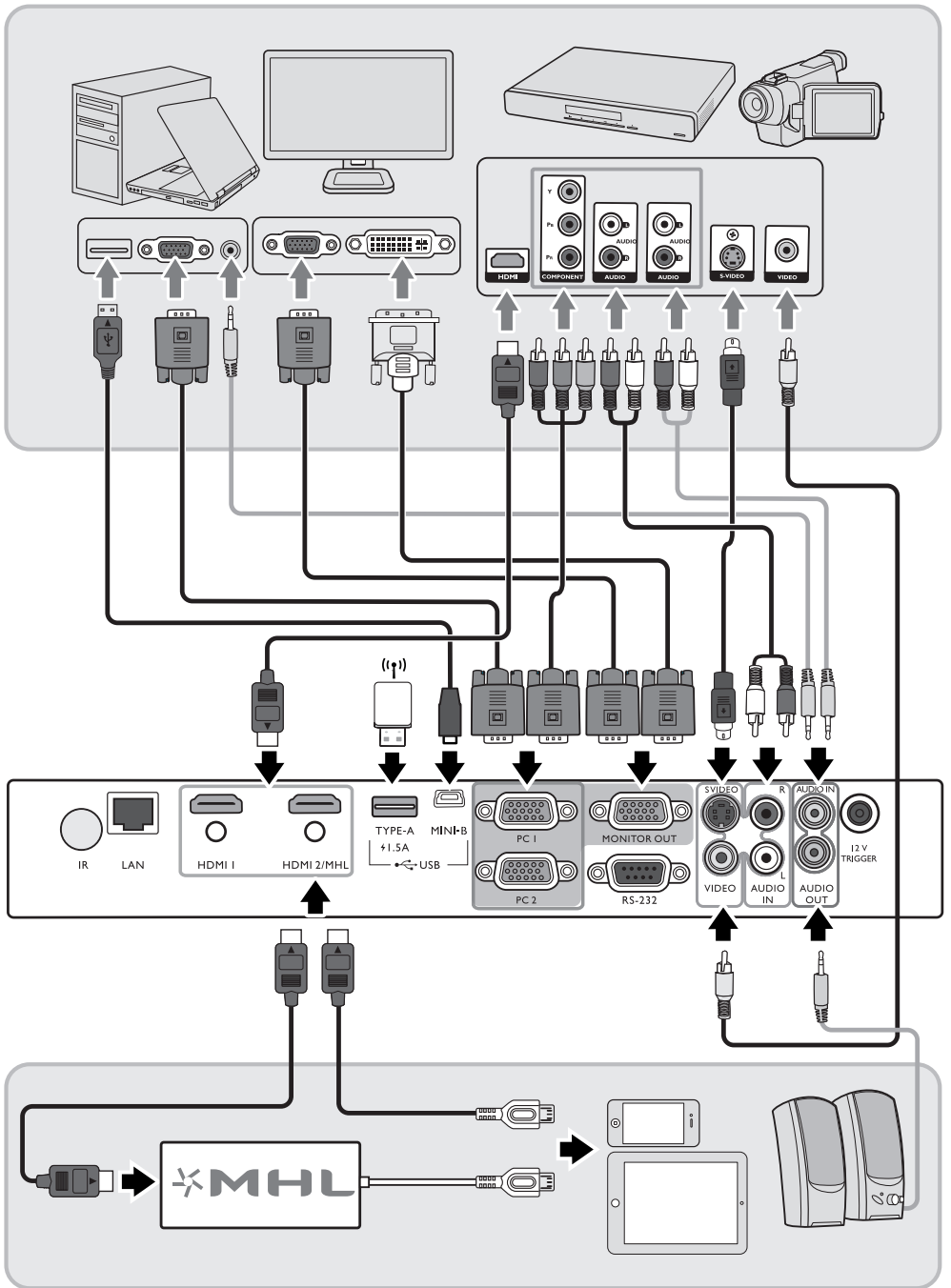
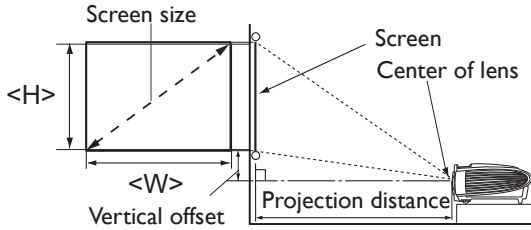


Remote control





Projection dimensions



The screen aspect ratio is 4:3 and the projected picture is in a 4:3 aspect ratio.

Screen size				Distance from screen (mm)	Vertical offset (mm)
Diagonal		W	H		
Inch	mm	(mm)	(mm)		
80	2032	1626	1219	988	183
100	2540	2032	1524	1235	229
120	3048	2438	1829	1481	274
150	3810	3048	2286	1852	343
180	4572	3658	2743	2222	411
200	5080	4064	3048	2469	457
220	5588	4470	3353	2716	503
240	6096	4877	3658	2963	549
270	6858	5486	4115	3333	617
300	7620	6096	4572	3704	686



All measurements are approximate and may vary from the actual sizes. BenQ recommends that if you intend to permanently install the projector, you should physically test the projection size and distance using the actual projector in situ before you permanently install it, so as to make allowance for this projector's optical characteristics. This will help you determine the exact mounting position so that it best suits your installation location.

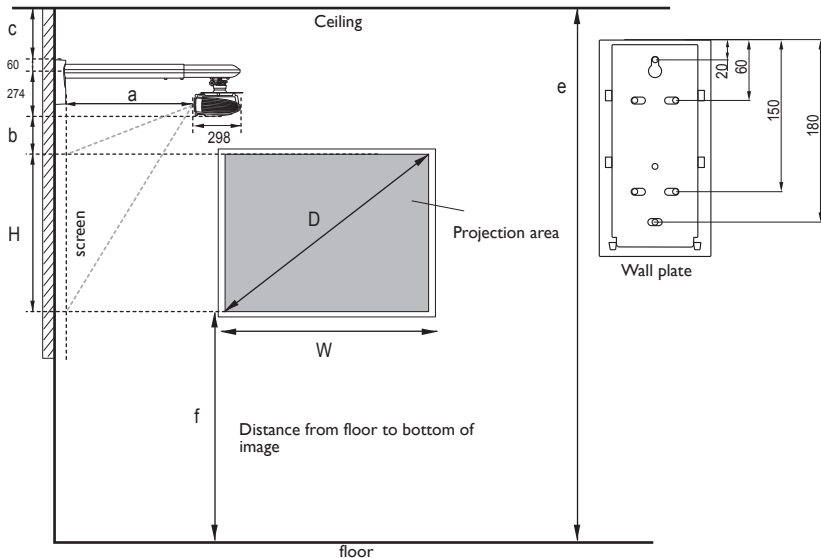
Wall mount installation

Minimum installation requirements

Computer Resolution: XGA Image Resolution: XGA	Diagram Reference	SMART Board 660	Smart Board 680	Promethean ActivBoard 164	Promethean ActivBoard 178	RM ClassBoard2 77.5	Hitachi StarBoard FX-63	StarBoard FX-77
Image Diagonal (inches)	D	64	77	64	78	78	63	77
Image Height (mm)	H	975	1173	975	1189	1181	960	1173
Image Width (mm)	W	1300	1565	1300	1585	1575	1280	1565
Distance from floor to bottom of image (mm)	f	900	900	900	900	900	900	900
Distance from screen surface to projector lens (mm)	a	790	951	790	963	957	778	951
Distance from top case to the top of image(mm)	b	78.6	108.6	78.6	110.6	109.6	76.6	108.6
Distance from top of wall mount to ceiling (mm)	c	50	50	50	50	50	50	50
Minimum Ceiling Height (mm)	e	2337.6	2565.6	2337.6	2583.6	3274.6	2320.6	2565.6

Wall mount installation

$$\text{Minimum Ceiling Height (mm)} = f + H + b + 60 + 274 + c$$

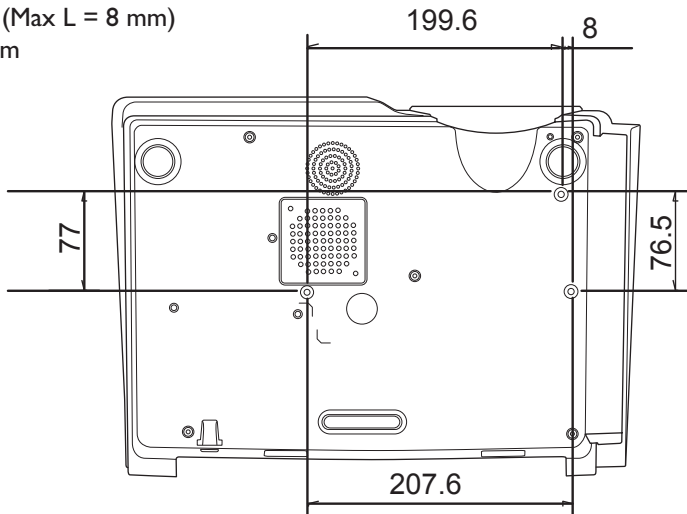


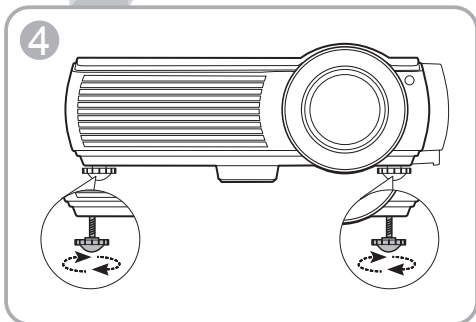
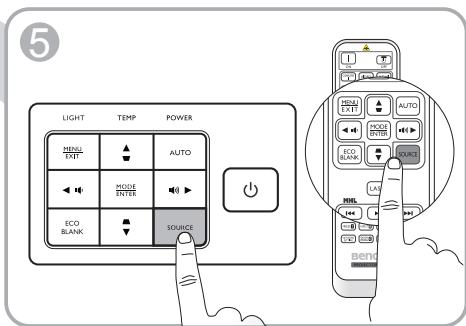
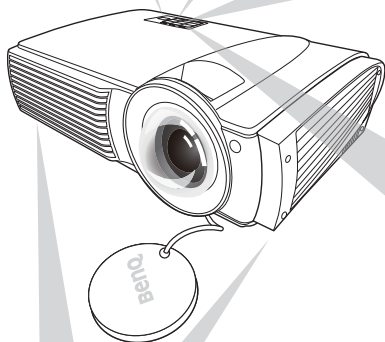
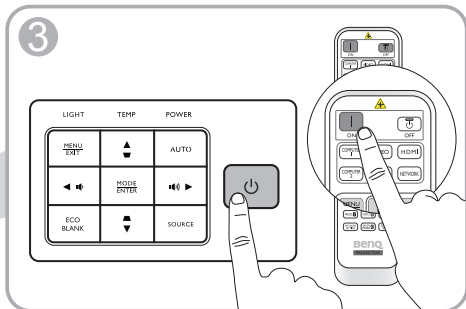
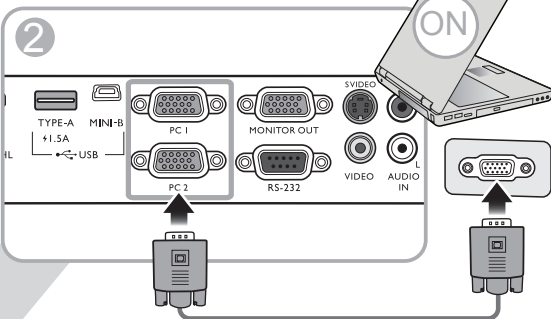
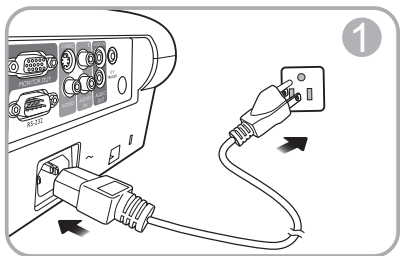
- The dimensions are based on the BenQ wall mount (P/N: 5J4R10.01 I).
- All measurements are approximate and may vary from the actual sizes. BenQ recommends that if you intend to permanently install the projector, you should physically test the projection size and distance using the actual projector in situ before you permanently install it, so as to make allowance for this projector's optical characteristics. This will help you determine the exact mounting position so that it best suits your installation location.
- The dimensions supplied are offered as a guide only and may differ depending on several factors relating to any specific installation.
- The dimensions are based on the projector being configured with zero keystone correction.
- The dimensions assume that the wall mount arm is positioned 90° from the bottom case of projector and screen surface.

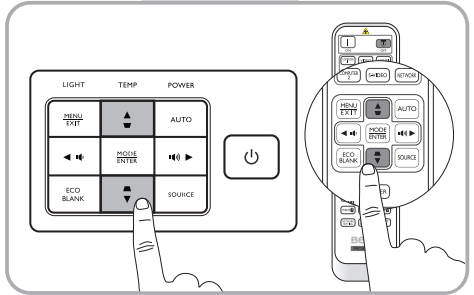
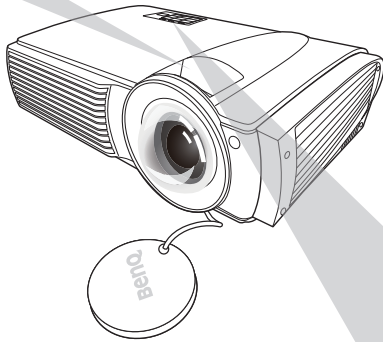
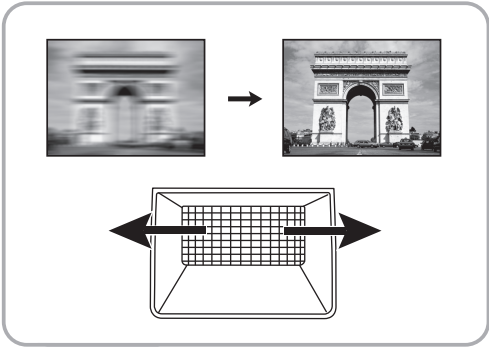
Ceiling Mount screw:

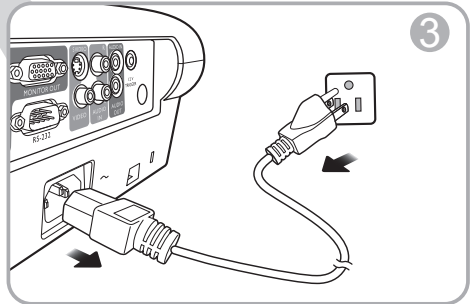
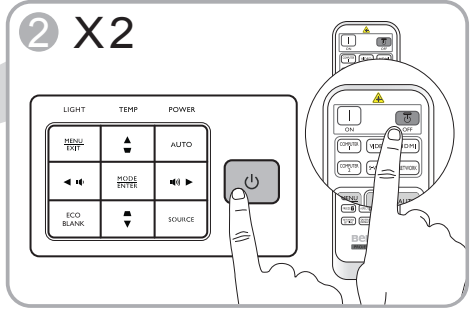
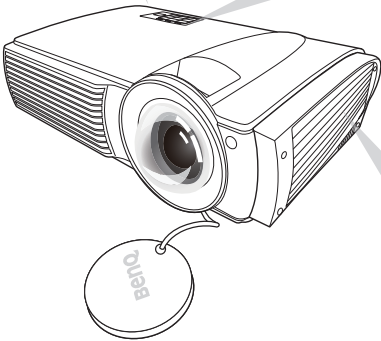
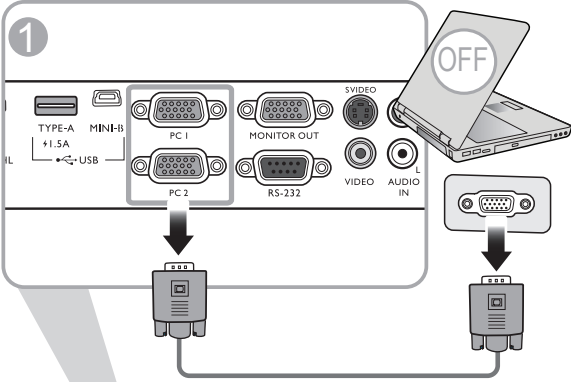
M4 x 8 (Max L = 8 mm)

Unit: mm









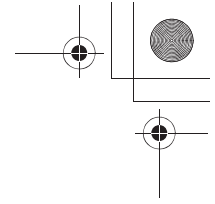
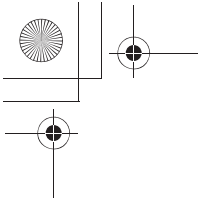
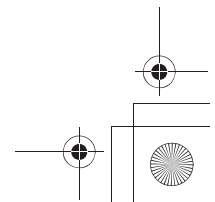
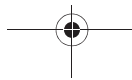
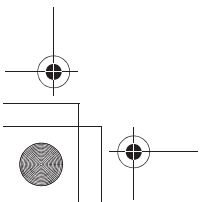
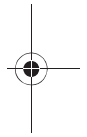
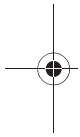


Table of contents

English	11
Español	12
繁體中文	13
简体中文	14



Specifications



All specifications are subject to change without notice.

Optical

Resolution
1024 x 768 XGA

Display system
1-CHIP DMD

Lens
F = 2.6

Light source
LASER DIODE NUBM08 8pcs x 2

Electrical

Power supply
AC100–240V, 3.3 A, 50–60 Hz (Automatic)

Power consumption
320 W (Max); < 0.5 W (Standby)

Mechanical

Weight
5.5 Kg \pm 100 g

Output terminals

RGB output
D-Sub 15-pin (female) x 1

Speaker
10 watt x 2

Audio signal output
PC audio jack x 1

Control

RS-232 serial control
9 pin x 1

LAN control
RJ45 x 1

IR receiver x 2

12V trigger x 1 (Max. 1A)

Input terminals

Computer input
RGB input
D-Sub 15-pin (female) x 2

Video signal input
S-VIDEO
Mini DIN 4-pin port x 1

VIDEO
RCA jack x 1

SD/HDTV signal input
Analog - Component RCA jack x 3
(through RGB input)

Digital - HDMI x 1; HDMI/MHL x 1

Audio signal input
Audio in
PC audio jack x 1
RCA audio jack (L/R) x 2

Others

USB Type-A x 1 (5V/1.5A power supply)

USB Mini-B x 1

Environmental Requirements

Operating temperature
0°C–40°C at sea level

Operating relative humidity
10%–90% (without condensation)

Operating altitude
0–1499 m at 0°C–35°C
1500–3000 m at 0°C–30°C (with
High Altitude Mode on)

(ES)

Especificaciones

 Todas las especificaciones están sujetas a cambio sin previo aviso.

Óptico

Resolución
1024 x 768 XGA

Sistema óptico
1 CHIP DMD

Lente
F = 2,6

Fuente de luz
DIOLO LÁSER NUBM08 8 unidades x 2

Especificaciones eléctricas

Fuente de alimentación
100–240 V de CA, 3,3 A, 50–60 Hz (automático)

Consumo de energía
320 W (máx.); < 0,5 W (modo de espera)

Especificaciones mecánicas

Peso
5,5 kg ± 100 g

Terminales de salida

Salida RGB
D-Sub de 15 patillas (hembra) x 1

Altavoz
10 vatios x 2

Salida de señal de audio
Clavija de audio de PC x 1

Control

Control de serie RS-232
9 patillas x 1

Control de LAN
RJ45 x 1

Receptor de infrarrojos (IR) x 2

Disparador de 12 V x 1 (máx. 1 amp.)

Terminales de entrada

Entrada de ordenador
Entrada RGB
D-Sub de 15 patillas (hembra) x 2

Entrada de señal de vídeo
S-VÍDEO
Puerto Mini DIN de 4 patillas x 1

VÍDEO
Clavija RCA x 1

Entrada de señal de SD/HDTV
Analogico: clavija RCA de componente x 3
(a través de entrada RGB)

Digital: HDMI x 1; HDMI/MHL x 1

Entrada de señal de audio
Entrada de audio
Clavija de audio de PC x 1
Clavija de audio de RCA (I/D) x 2

Otros

USB Tipo A x 1 (suministro eléctrico de 5 V/ 1,5 A)

USB Mini-B x 1

Requisitos medioambientales

Temperatura de funcionamiento
0°C–40°C al nivel del mar

Humedad relativa operativa
10%–90% (sin condensación)

Altitud de funcionamiento
0–1499 m a 0°C–35°C
1500–3000 m a 0°C–30°C (con el Modo altitud elevada activado)

規格

(TG)

☞ 所有規格如有變更，恕不另行通知。

光學

解析度
1024 x 768 XGA

顯示系統
1-CHIP DMD

鏡頭
F = 2.6

光源
雷射二極體 NUBM08 8 個 x 2

電子

電源
AC 100-240 V、3.3 A、50/60 Hz (自動)

耗電量
320 瓦 (最大)；< 0.5 瓦 (待機)

機械

重量
5.5 公斤 ± 100 公克

輸出端子

RGB 輸出
D-Sub 15 針 (母端) x 1

喇叭
10 瓦 x 2

音訊訊號輸出
電腦音訊插孔 x 1

控制

RS-232 序列控制
9 針 x 1

區域網路控制
RJ45 x 1

紅外線接收器 x 2

12V 觸發器 x 1 (最大 1A)

輸入端子

電腦輸入
RGB 輸入
D-Sub 15 針 (母端) x 2

視訊訊號輸入
S-VIDEO
Mini DIN 4 針連接埠 x 1

VIDEO
RCA 插孔 x 1

SD/HDTV 訊號輸入
類比 - 色差 RCA 插孔 x 3
(透過 RGB 輸入)

數位 - HDMI x 1；HDMI/MHL x 1

音訊訊號輸入
音訊輸入
電腦音訊插孔 x 1
RCA 音訊插孔 (L/R) x 2

其它

USB Type-A x 1 (5 V/1.5 A 電源)

USB Mini-B x 1

環境需求


操作溫度
0°C-40°C、海平面

操作相對濕度
10%-90% (無冷凝狀態)

操作海拔
0-1499 公尺、0°C-35°C
1500-3000 公尺、0°C-30°C (開啟
高海拔模式)

(SC)

规格

 所有规格如有更改，恕不另行通知。

光学

分辨率

1024 x 768 XGA

显示系统

1-CHIP DMD

镜头

F = 2.6

光源

LASER DIODE (激光二极管) NUBM08
8 个 x 2

电气

电源

AC100-240 V、3.3 A、50-60 Hz (自动)

功耗

320 W (最大) ; < 0.5 W (待机)

机械

重量

5.5 公斤 ± 100 克

输出端子

RGB 输出

D-Sub 15 针 (母) x 1

扬声器

10 瓦 x 2

音频信号输出

PC 音频插口 x 1

控制

RS-232 串口控制

9 针 x 1

局域网控制

RJ45 x 1

红外线接收器 x 2

12 V 触发器 x 1 (最大 1 A)

输入端子

电脑输入

RGB 输入

D-Sub 15 针 (母) x 2

视频信号输入

S- 视频

Mini DIN 4 针插口 x 1

视频

RCA 插口 x 1

SD/HDTV 信号输入

模拟 - 分量 RCA 插口 x 3
(通过 RGB 输入)

数字 - HDMI x 1 ; HDMI/MHL x 1

音频信号输入

音频输入

PC 音频插口 x 1

RCA 音频插口 (左 / 右) x 2

其它

USB Type-A x 1 (5 V/1.5 A 电源)

USB Mini-B x 1

环境要求

运行温度

海平面时 0°C-40°C

工作相对湿度

10%-90% (无冷凝)

操作高度

0°C-35°C 时 0-1499 米

0°C-30°C 时 1500-2000 米

(高海拔模式开启)

- En For further information, please refer to the enclosed User Manual.
- Es Para obtener más información, consulte la Guía del usuario adjunta.
- Tc 若需要進一步的詳細資料，請參考隨機所附的使用手冊。
- Sc 若需进一步讯息，请参考随机所附的用户指南。