

DIGITAL
PROJECTOR

MW523

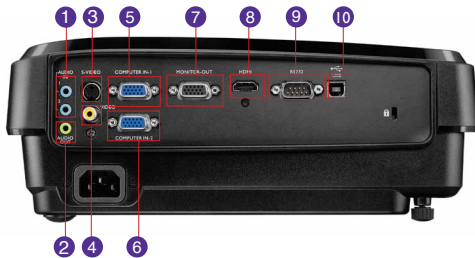


Features

- Native WXGA Resolution (1280 x 800)
- 3,000 ANSI Lumens; 10,000:1 Contrast Ratio
- SmartEco™ Power Saving Technology
- Up to 10,000 Hours Long Lamp Life
- Instant Restart & HDMI
- Various 3D Format for Entertainment



Input and Output Terminals



- | | |
|----------------------------|-----------------------------|
| 1 Audio In 1&2 (Mini Jack) | 6 Computer-2 (D-sub 15pin) |
| 2 Audio Out (Mini Jack) | 7 Monitor Out (D-sub 15pin) |
| 3 S-Video (Mini DIN 4-pin) | 8 HDMI |
| 4 Video Out (RCA Jack) | 9 RS232 (DB-9pin) |
| 5 Computer-1 (D-sub 15pin) | 10 USB (Mini-B) |



Specifications

Projection System	DLP
Native Resolution	WXGA (1280 x 800)
Brightness	3,000AL
Contrast Ratio	10,000:1
Display Color	1.07 Billion Colors
Lens	F=2.55-3.06, f=21-25.6mm
Aspect Ratio	Native 16:10 (5 aspect ratio selectable)
Throw Ratio	1.49 ~1.79 (99.6" @3.2m)
Image Size Diagonal	39"~300"
Zoom Ratio	1.2:1
Lamp Type	190W
Lamp Life*	4,500/6,000/6,500/10,000 hours
Keystone Adjustment	1D, Vertical +/- 40 degrees
Projection Offset	125% ±5%
Resolution Support	VGA(640 x 480) to UXGA(1600 x 1200)
Horizontal Frequency	15~102KHz
Vertical Scan Rate	23~120Hz
Compatibility	HDTV Compatibility: 480i, 480p, 576i, 576p, 720p, 1080i, 1080p Video Compatibility: NTSC, PAL, SECAM 3D Compatibility: Frame Sequential: Up to 480i Frame Packing: Up to 24 Hz 1080p Side by Side: Up to 60Hz 1080i Top Bottom: Up to 24Hz 1080p
Interface	Computer In (D-Sub 15pin) x 2 (shared with Component) Monitor Out (D-Sub 15 pin) x 1 Composite Video In (RCA) x 1 S-Video In (Mini DIN 4pin) x 1 HDMI x 1 Audio In (Mini Jack) x 2 Audio Out (Mini Jack) x 1 Speaker 2W x 1 USB (Type B) x 1 (Download & page up/down) RS232 (DB-9Pin) x 1 IR Receiver x 1 (Front)
Dimensions (WxHxD)	302.8 x 111.8x 221.8 mm
Weight	2.3kg (5.06lbs)
Power Supply	AC100 to 240 V, 50 to 60 Hz
Power Consumption	240W (typical), Standby<0.5W
Audible Noise	32/30 dBA (Normal/Economic mode)
On-Screen Display Languages	Arabic/Bulgarian/ Croatian/ Czech/ Danish/ Dutch/ English/ Finnish/ French/ German/ Greek/ Hindi/ Hungarian/ Italian/ Indonesian/ Japanese/ Korean/ Norwegian/ Polish/ Portuguese/ Romanian/ Russian/ Simplified Chinese/Spanish/ Swedish/ Turkish/ Thai/ Traditional Chinese (28 Languages)
Picture Mode	Dynamic/Presentation/sRGB/Cinema/User 1/User 2
Accessories (Standard)	Lens Cover, Remote Control w/ Battery, Power Cord, User Manual CD, Quick Start Guide, Warranty Card, VGA(D-sub 15pin) Cable
Accessories (Optional)	Spare Lamp Kit 5J.JA105.001 Ceiling Mount 5J.J4N10.001 3D Glasses 5J.J7K25.001 Carry bag 5J.J4R09.001
UPC Code	8400460-2493-2
Limited Warranty	1 year parts & labor; 1 year or 2000 hours of lamp life

*Lamp life results will vary depending on environmental conditions and usage. Actual product's features and specifications are subject to change without notice.

MW523 06-26-13-BQca



Touchboards

205 Westwood Ave, Long Branch, NJ 07740
Phone: 866-94 BOARDS (26273) / (732)-222-1511
Fax: (732)-222-7088 | E-mail: sales@touchboards.com

BenQ Canada Corp.

Tél : (416) 363-2367 www.BenQ.ca

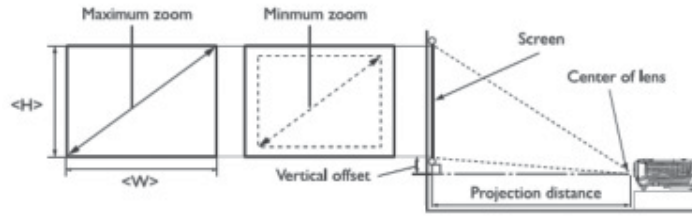


Enjoyment Matters

BenQ est une marque déposée de BenQ Corp. DLP™ est une marque déposée de Texas Instruments. Tous droits réservés.
Les marques d'entreprise et de commerce sont la propriété de leurs sociétés respectives. Les spécifications sont sujettes à modification sans préavis.

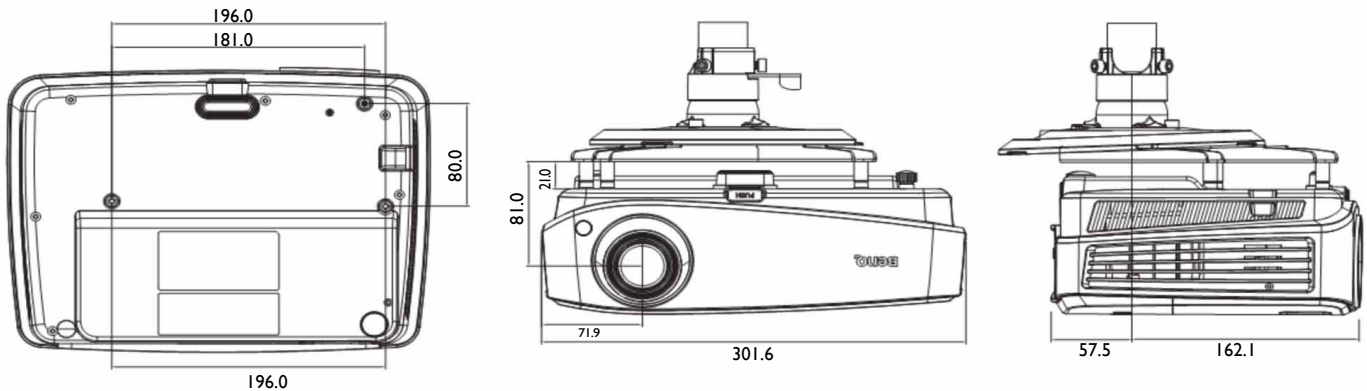
MW523 Digital Projector

Distance Chart



Screen Size				Projection distance (mm)			Vertical offset (mm)
Diagonal		W (mm)	H (mm)	Min distance	Average	Max distance	
Inch	mm			(Max zoom)		(Min zoom)	
30	762	646	403	963	1060	1157	50
40	1016	861	538	1284	1413	1542	67
60	1524	1292	807	1926	2119	2313	101
80	2032	1723	1077	2567	2826	3084	135
100	2540	2153	1346	3209	3532	3856	168
120	3048	2584	1615	3851	4239	4627	202
150	3810	3230	2019	4814	5299	5783	252
200	5080	4307	2692	6419	7065	7711	337
250	6350	5384	3365	8023	8831	9639	421
300	7320	6461	4038	9628	10597	11567	505

Ceiling Mount Chart



Units: mm

Dimensions

