

DIGITAL  
PROJECTOR

# MW621ST

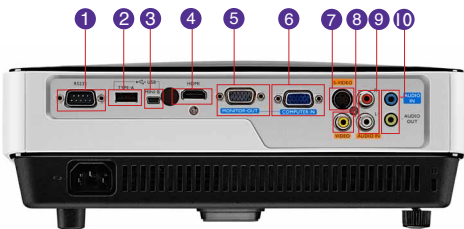


## Features

- Native WXGA (1280x800) Resolution
- 3,000 ANSI Lumens; 13,000:1 Contrast Ratio
- Wireless Display / USB Reader & Display
- Up to 10,000 Hours Long Lamp Life
- SmartEco™ Power Saving Technology
- 3D PC & Blu-Ray Ready
- 10W Speaker



## Input and Output Terminals



- |                             |                             |
|-----------------------------|-----------------------------|
| 1 RS232 (DB-9pin)           | 6 Computer in (D-sub 15pin) |
| 2 USB (Type A)              | 7 S-Video (Mini DIN 4-pin)  |
| 3 USB (Type Mini-B)         | 8 Composite Video in        |
| 4 HDMI                      | 9 Audio in L/R (RCA)        |
| 5 Monitor Out (D-sub 15pin) | 10 Audio In/Out (Mini Jack) |

## Specifications

|  |  |
|--|--|
| Projection System                          | DLP®   |
| Native Resolution                          | WXGA (1280x800)  |
| Brightness                                 | 3,000AL  |
| Contrast Ratio                             | 13,000:1   |
| Display Color                              | 1.07 Billion Colors  |
| Lens                                       | F=2.6-2.78, f=10.2-12.24mm   |
| Aspect Ratio                               | Native 16:10 (5 aspect ratio selectable)   |
| Throw Ratio                                | 0.72~0.87 (64"±3% @ 1m)  |
| Image Size Diagonal                        | 30"~300"   |
| Zoom Ratio                                 | 1.2:1  |
| Lamp Type                                  | 190W   |
| Lamp(Normal/Economic/Smart-Eco/ LampSave)* | 4500/6000/6500/10000 hours   |
| Keystone Adjustment                        | 1D, Vertical +/- 40 degrees  |
| Projection Offset                          | 100%±5%  |
| Resolution Support                         | VGA(640 x 480) to UXGA(1600 x 1200)  |
| Horizontal Frequency                       | 15~102KHz  |
| Vertical Scan Rate                         | 23~120Hz   |
| Compatibility                              | HDTV Compatibility: 480i, 480p, 576i, 576p, 720p, 1080i, 1080p<br>Video Compatibility: NTSC, PAL, SECAM  |
| Interface                                  | Computer in (D-sub 15pin) x 1 (Share with component)<br>Monitor out (D-sub 15pin) x 1<br>Composite Video in (RCA) x 1<br>S-Video in (Mini DIN 4pin) x 1<br>HDMI x1<br>Audio in (Mini Jack) x 1<br>Audio out (Mini Jack) x 1<br>Audio L/R in (RCA) x 1<br>Speaker 10W x 1<br>USB (Type A) x 1 (Download & page/down)<br>USB (Type Mini-B) x 1<br>RS232 (DB-9pin) x 1<br>IR Receiver x2 (Front+Rear) |
| Dimensions (WxHxD)                         | 287.3 x 114.4x 232.6 mm (w/ feet)  |
| Weight                                     | 2.6kg (5.06lbs)  |
| Power Supply                               | AC100 to 240 V, 50 to 60 Hz  |
| Power Consumption                          | 247W(typical), 206W (Eco), Standby<0.5W  |
| Audible Noise                              | 33/28 dBA (Normal/Economic mode)   |
| On-Screen Display Languages                | Arabic/Bulgarian/ Croatian/ Czech/ Danish/ Dutch/ English/ Finnish/ French/ German/ Greek/ Hindi/ Hungarian/ Italian/ Indonesian/ Japanese/ Korean/ Norwegian/ Polish/ Portuguese/ Romanian/ Russian/ Simplified Chinese/Spanish/ Swedish/ Turkish/ Thai/ Traditional Chinese (28 Languages)   |
| Picture Mode                               | Dynamic/Presentation/sRGB/Cinema/User 1/User 2   |
| Accessories (Standard)                     | Lens Cover, Remote Control w/ Battery, Power Cord, User Manual CD, Quick Start Guide, Warranty Card, VGA (D-sub 15 pin) Cable  |
| Accessories (Optional)                     | Spare Lamp Kit P/N: 5J.JAR05.001<br>Ceiling Mount P/N: 5J.J4N10.001<br>3D Glasses P/N: 5J.J7K25.001<br>Carry Bag P/N: 5J.J4R09.001   |
| UPC Code / Part #                          | 8400460-2951-7 / 9H.JAR77.13A  |
| Limited Warranty                           | 1 Year Parts & Labor / 180 Days or 500 Hours of Lamp Life  |

\*Lamp life results will vary depending on environmental conditions and usage. Actual product's features and specifications are subject to change without notice.



BenQ Canada Corp.

Tel: (416) 363-2367

www.BenQ.ca

BenQ is a registered trademark of BenQ Corp. DLP is a registered trademark of Texas Instruments. All rights reserved. Product names, logos, brands, and other trademarks featured or referred to in this materials are the property of their respective trademark holders. Specifications subject to change without notice.

# Touchboards

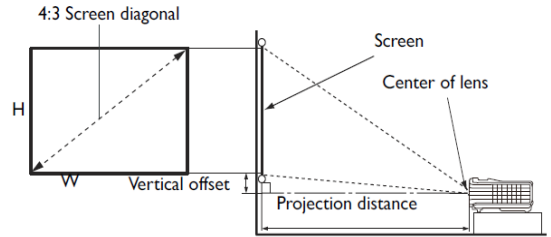
205 Westwood Ave, Long Branch, NJ 07740  
Phone: 866-94 BOARDS (26273) / (732)-222-1511  
Fax: (732)-222-7088 | E-mail: sales@touchboards.com

MW621ST 11-01-13-BQca

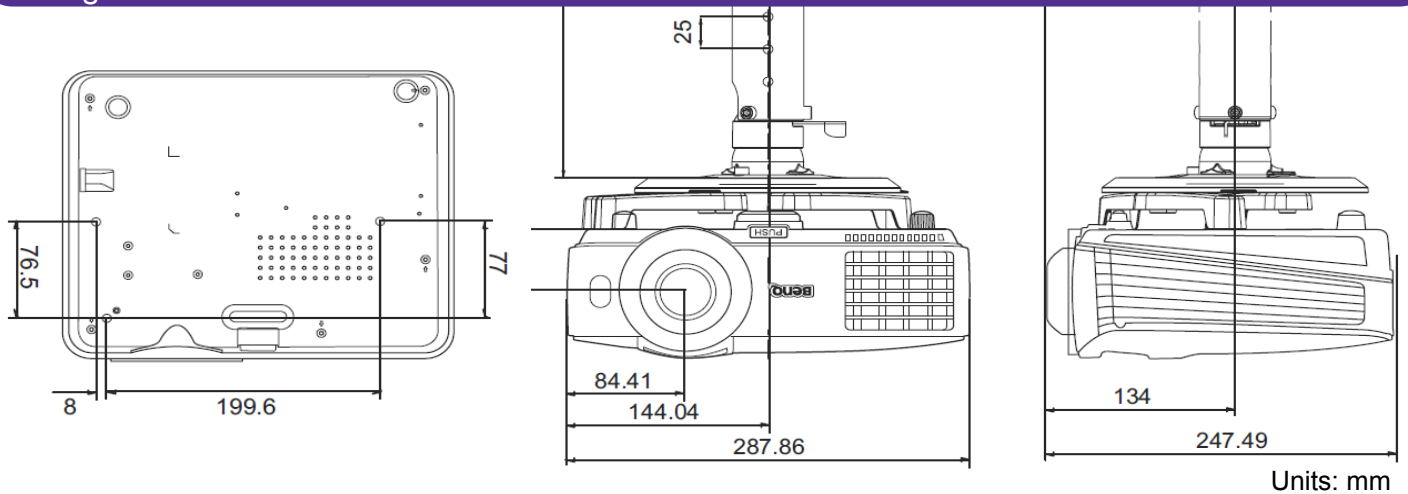
# MW621ST Digital Projector

## Distance Chart

| Screen Size |      |        |        | Distance from screen (mm) |         |                        | Vertical offset (mm) |
|-------------|------|--------|--------|---------------------------|---------|------------------------|----------------------|
| Diagonal    |      | W (mm) | H (mm) | Min length<br>Max zoom    | Average | Min length<br>Max zoom |                      |
| Inch        | mm   |        |        |                           |         |                        |                      |
| 30          | 762  | 646    | 404    | 469                       | 516     | 563                    | 10                   |
| 40          | 1016 | 862    | 538    | 625                       | 688     | 750                    | 13                   |
| 50          | 1270 | 1077   | 673    | 781                       | 859     | 938                    | 17                   |
| 60          | 1524 | 1292   | 808    | 938                       | 1031    | 1125                   | 20                   |
| 70          | 1778 | 1508   | 942    | 1094                      | 1203    | 1313                   | 24                   |
| 80          | 2032 | 1723   | 1077   | 1250                      | 1375    | 1500                   | 27                   |
| 90          | 2286 | 1939   | 1212   | 1406                      | 1547    | 1688                   | 30                   |
| 100         | 2540 | 2154   | 1346   | 1563                      | 1719    | 1875                   | 34                   |
| 110         | 2794 | 2369   | 1481   | 1719                      | 1891    | 2063                   | 37                   |
| 120         | 3048 | 2585   | 1615   | 1875                      | 2063    | 2250                   | 40                   |
| 130         | 3302 | 2800   | 1750   | 2031                      | 2234    | 2438                   | 44                   |
| 140         | 3556 | 3015   | 1885   | 2188                      | 2406    | 2625                   | 47                   |
| 150         | 3810 | 3231   | 2019   | 2344                      | 2578    | 2813                   | 50                   |
| 160         | 4064 | 3446   | 2154   | 2500                      | 2750    | 3000                   | 54                   |
| 170         | 4318 | 3662   | 2289   | 2656                      | 2922    | 3188                   | 57                   |
| 180         | 4572 | 3877   | 2423   | 2813                      | 3094    | 3375                   | 61                   |
| 190         | 4826 | 4092   | 2558   | 2969                      | 3266    | 3563                   | 64                   |
| 200         | 5080 | 4308   | 2692   | 3125                      | 3438    | 3750                   | 67                   |
| 250         | 6350 | 5385   | 3365   | 3906                      | 4297    | 4688                   | 84                   |
| 300         | 7620 | 6462   | 4039   | 4688                      | 5156    | 5625                   | 101                  |



## Ceiling Mount Chart



## Dimensions

