

DIGITAL PROJECTOR

MX600

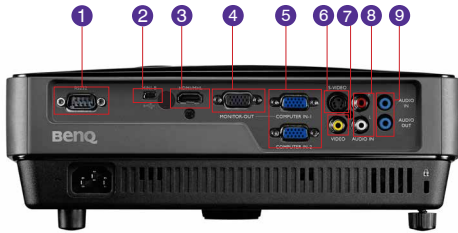


Features

- Native XGA (1024x768) Resolution
- 3,200 ANSI Lumens; 13,000:1 Contrast Ratio
- MHL-Enabled HDMI Port
- Up to 10,000 Hours Long Lamp Life
- SmartEco™ Power Saving Technology
- Various 3D Format for Entertainment



Input and Output Terminals



- | | |
|------------------------------|----------------------------|
| 1 RS232 (DB-9pin) | 6 S-Video (Mini DIN 4-pin) |
| 2 USB (Mini-B) | 7 Composite Video in |
| 3 HDMI/MHL | 8 Audio in L/R (RCA) |
| 4 Monitor Out (D-sub 15pin) | 9 Audio In/Out (Mini Jack) |
| 5 Computer-I/2 (D-sub 15pin) | |



Specifications

Projection System	DLP®
Native Resolution	XGA(1024x768)
Brightness	3,200 ANSI lumens
Contrast Ratio	13,000:1
Display Color	1.07 Billion Colors
Lens	F=2.57-2.65, f=21-23.1mm
Aspect Ratio	Native 4:3 (5 aspect ratio selectable)
Throw Ratio	1.86-2.04 (53" @2m)
Image Size Diagonal	30"~300"
Zoom Ratio	1.1:1
Lamp Type	210W
Lamp(Normal/Economic/SmartEco/LampCare/LumenCare Mode)*	3500/5000/6500/10000/21000 hours
Keystone Adjustment	1D, Vertical +/- 40 degrees
Projection Offset	120% ±5%
Resolution Support	VGA(640 x 480) to UXGA(1600 x 1200)
Horizontal Frequency	15~102KHz
Vertical Scan Rate	23~120Hz
Compatibility	HDTV Compatibility: 480i, 480p, 576i, 576p, 720p, 1080i, 1080p Video Compatibility: NTSC, PAL, SECAM 3D Compatibility: Frame Sequential: Up to 60Hz 720p Frame Packing: Up to 24Hz 1080p Side by Side: Up to 60Hz 1080i Top Bottom: Up to 24Hz 1080p
Interface	Computer in (D-sub 15pin) x 2(Share with component) Monitor out (D-sub 15pin) x 1 Composite Video in (RCA) x 1 S-Video in (Mini DIN 4pin) x 1 Audio in (Mini Jack) x 1 Audio out (Mini Jack) x 1 Audio L/R in (RCA) x 1 HDMI/MHL x 1 Speaker 10W x 1 USB (Type Mini B) x1 (Download & page/down) RS232 (DB-9pin) x 1 IR Receiver x 2 (Front+Rear)
Dimensions (WxHxD)	287.3 x 114.4 x 232.6 mm (w/ feet)
Weight	2.3kg (5.06lbs)
Power Supply	AC100 to 240 V, 50 to 60 Hz
Power Consumption	293W(Normal), 243W (Eco), Standby<0.5W"
Audible Noise	33/28 dBA (Normal/Economic mode)
On-Screen Display Languages	Arabic/Bulgarian/ Croatian/ Czech/ Danish/ Dutch/ English/ Finnish/ French/ German/ Greek/ Hindi/ Hungarian/ Italian/ Indonesian/ Japanese/ Korean/ Norwegian/ Polish/ Portuguese/ Romanian/ Russian/ Simplified Chinese/Spanish/ Swedish/ Turkish/ Thai/ Traditional Chinese (28 Languages)
Picture Mode	Dynamic/Presentation/sRGB/Cinema/User 1/User 2
Accessories (Standard)	Remote Control w/ Battery, Power Cord, Quick Start Guide, Warranty Card, VGA (D-sub 15 pin) Cable
Accessories (Optional)	Spare Lamp Kit P/N: 5J.JAG05.001 Ceiling Mount P/N: 5J.J4N10.001 3D Glasses P/N: 5J.J7K25.001 Carry Bag P/N: 5J.J4R09.001
UPC Code / Part #	8400460-2608-0 / 9H.JAG77.13A
Limited Warranty	3 Years Parts & Labor / 1 Year or 2000 Hours of Lamp Life

*Lamp life results will vary depending on environmental conditions and usage. Actual product's features and specifications are subject to change without notice.

MX600 09-19-13-BQca



BenQ Canada Corp.
Tel: (416) 363-2367 www.BenQ.ca



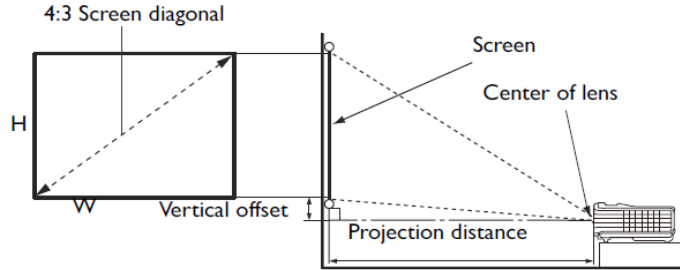
205 Westwood Ave, Long Branch, NJ 07740
Phone: 866-94 BOARDS (26273) / (732)-222-1511
Fax: (732)-222-7088 | E-mail: sales@touchboards.com



BenQ is a registered trademark of BenQ Corp. DLP is a registered trademark of Texas Instruments. All rights reserved. Product names, logos, brands, and other trademarks featured or referred to in this materials are the property of their respective trademark holders. Specifications subject to change without notice.

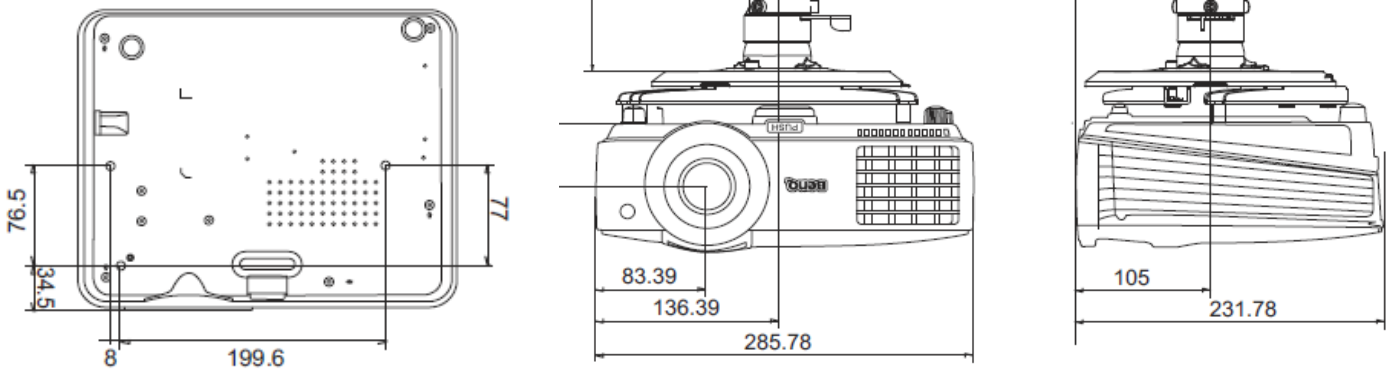
MX600 Digital Projector

Distance Chart



Screen Size				Distance from screen (mm)			Vertical offset (mm)
Diagonal		W (mm)	H (mm)	Min length	Average	Min length	
Inch	mm			Max zoom		Max zoom	
30	762	610	457	1134	1191	1247	46
40	1016	813	610	1509	1585	1660	61
50	1270	1016	762	1887	1981	2075	76
60	1524	1219	914	2264	2377	2491	91
80	2032	1626	1219	3019	3170	3321	122
100	2540	2032	1524	3774	3962	4151	152
120	3048	2438	1829	4528	4755	4981	183
150	3810	3048	2286	5660	5943	6226	229
200	5080	4064	3048	7547	7925	8302	305
220	5588	4470	3353	8302	8717	9132	335
250	6350	5080	3810	9434	9906	10377	381
300	7620	6096	4572	11321	11887	12453	457

Ceiling Mount Chart



Units: mm

Dimensions

