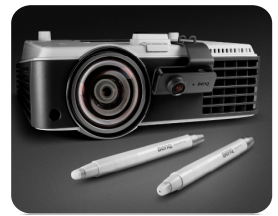


PointWrite

Virtual Interactive Whiteboard

Touchboards

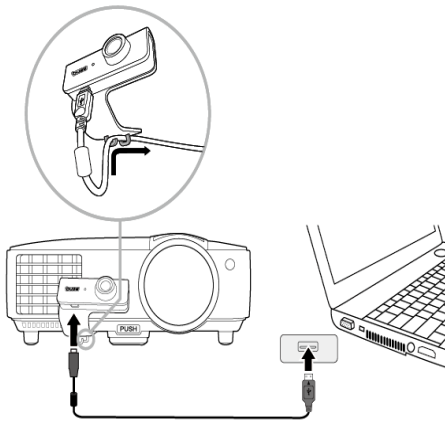
205 Westwood Ave, Long Branch, NJ 07740
 Phone: 866-94 BOARDS (26273) / (732)-222-1511
 Fax: (732)-222-7088 | E-mail: sales@touchboards.com



Features

- Easy setup with 1 second auto calibration
- Easy install with BenQ short throw projector
- Interactivity on any display surface
- Up to 4 pens writing simultaneously

Connection Images



Dimensions



Specifications

Model name	PW01
Compatible projector	MX819ST/MW820ST/MX822ST
Technology	Infrared
Multi pen supported	Up to 4 Pens
Response time	0.016Sec
Refresh Rate	60 Frames/Sec
Calibration	Auto/ Manual
Connection to PC	USB 2.0
Power supply	5V 500mA, USB Power/Type mini B
Power consumption	Max 250mA
Working area	Max 150" projection size.
USB cable distance	Max 15meter (5meter USB cable + Repeater)
Dimension	71*29*86.3mm
Weight	32g

PointWrite Pen

Battery type	1.5v 3A Battery x2
Dimension	153mm(L) x 14.5mm(R)
Weight	80g(Battery included)
Packing	PointWrite module *1, PointWrite Pen *2, screw *2(fix to Projector), AAA battery *4, Alternative pen nib*5 ,USB cable *1(5m, minB to A), CD*1(UM, PointWrite, Qwrite,Qplayer), Quick installation guide*1, Wrist strip*2"
QSG(21 languages)	Arabic, Czech, German, English, European Spanish, European French, Italian, Japanese, Korean, Dutch, Polish, European Portuguese, Russian, Simplified Chinese, Swedish, Traditional Chinese, Thai, Turkish, Finnish, Norwegian, Romanian
User's manual(26 languages)	Arabic, Czech, German, English, European Spanish, European French, Italian, Japanese, Korean, Dutch, Polish, European Portuguese, Russian, Simplified Chinese, Swedish, Traditional Chinese, Thai, Turkish, Bulgarian, Greek, Croatian, Hungarian, Indonesian, Romanian, Finnish, Norwegian

Software

Calibration software	PointWrite
Interactive software	Qwrite, Qwrite player
Min. system requirements	CPU: Pentium RAM: 512MB Hard Disk: 20MB USB: USB 2.0
Operating system supported	PointWrite driver : Win XP, Vista, 7, 8 / Mac QWrite: Win XP,Vista,7,8/ Mac(Oct,2013 available)
Languages supported(21 languages)	English, Japanese, Simple Chinese, Traditional Chinese, Danish, German, European Spanish, European French, Italian, Bulgarian Polish Portuguese Persian Russian Indonesian Korean Czech, Finnish, Norwegian, Swedish,Romanian

Certification

Certification	CE/FCC/IC/BSMI/KCC
---------------	--------------------

Purchase Information

PointWrite kit (10kit/Carton)	PN: 5J.J9A26.10E
PontWrite Pen only (20Pen/Carton)	PN: 5J.J9A26.001
	Pen*1, Wrist strip*1, Pen nib*5, AAA Battery*2

* the speed of auto calibration will depends on CPU power of computer

PW01 09-16-13-BQca

BenQ Canada Corp.
 Tel: (416) 363-2367 | www.BenQ.ca

BenQ is a registered trademark of BenQ Corp. All rights reserved.
 Product names, logos, brands, and other trademarks featured or referred to in the materials are the property of their respective trademark holders.
 Specifications subject to change without notice.

