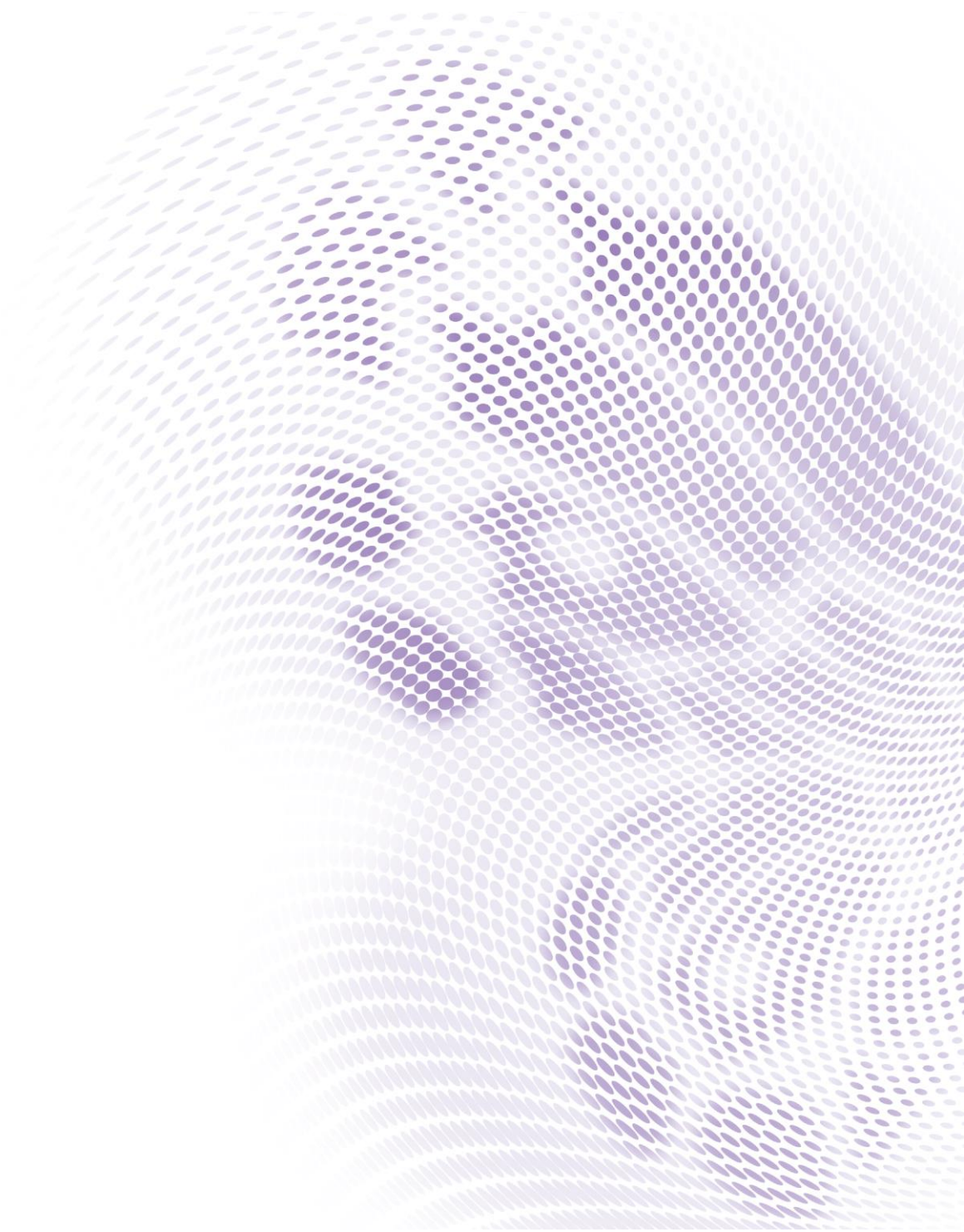




TK700STi

Projector RS232 Command Control

Installation Guide



# Table of Contents

Introduction .....	3
Wire arrangement.....	3
RS232 pin assignment.....	3
Connections and communication settings .....	4
RS232 serial port with a crossover cable .....	4
Settings .....	4
RS232 via LAN.....	6
Settings .....	6
RS232 via HDBaseT.....	6
Settings .....	6
Command table.....	8

# Introduction

The document describes how to control your BenQ projector via RS232 from a computer. Follow the procedures to complete the connection and settings first, and refer to the command table for RS232 commands.



Available functions and commands vary by model. Check the specifications and user manual of the purchased projector for product functions.

## Wire arrangement

Wire Arrangement		
P1	Color	P2
1	Black	1
2	Brown	3
3	Red	2
4	Orange	4
5	Yellow	5
6	Green	6
7	Blue	7
8	Purple	8
9	Gray	9
Case	Drain wire	Case

## RS232 pin assignment

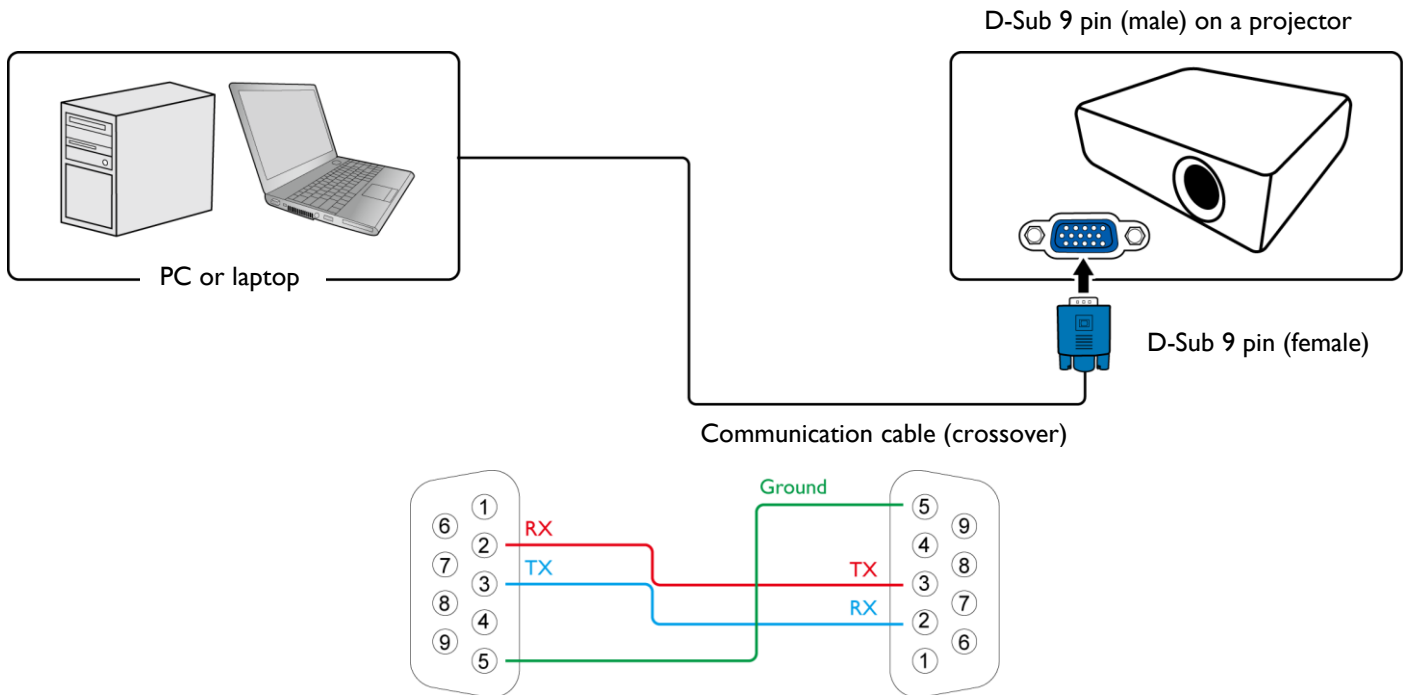


Pin	Description	Pin	Description
1	NC	2	RXD
3	TXD	4	NC
5	GND	6	NC
7	RTS	8	CTS
9	NC		


# Connections and communication settings

Choose one of the connections and set up properly before RS232 control.

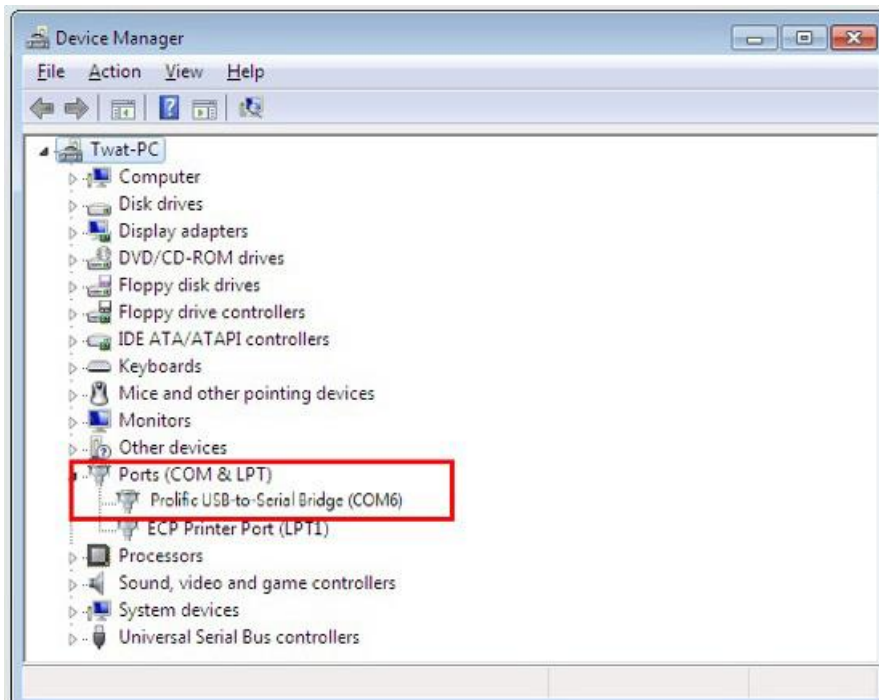
## RS232 serial port with a crossover cable



## Settings

 On-screen images in this document are for reference only. The screens may vary depending on your Operating System, I/O ports used for connection, and the specifications of the connected projector.

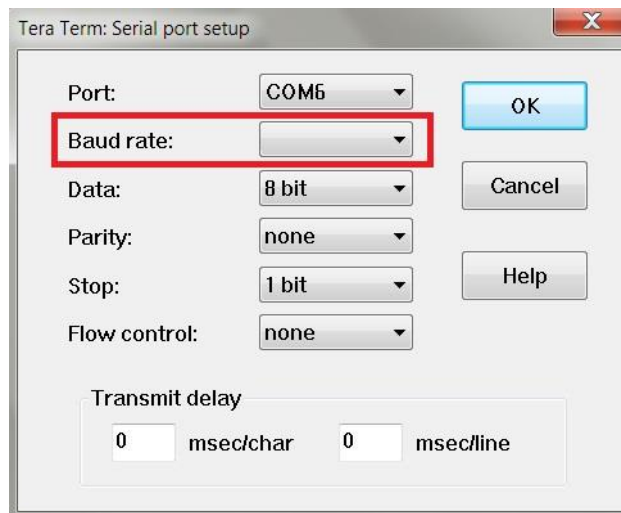
- I. Determine the COM Port name used for the RS232 communications in **Device Manager**.




2. Choose **Serial** and the corresponding COM port as the communication port. In this given example, COM6 is selected.

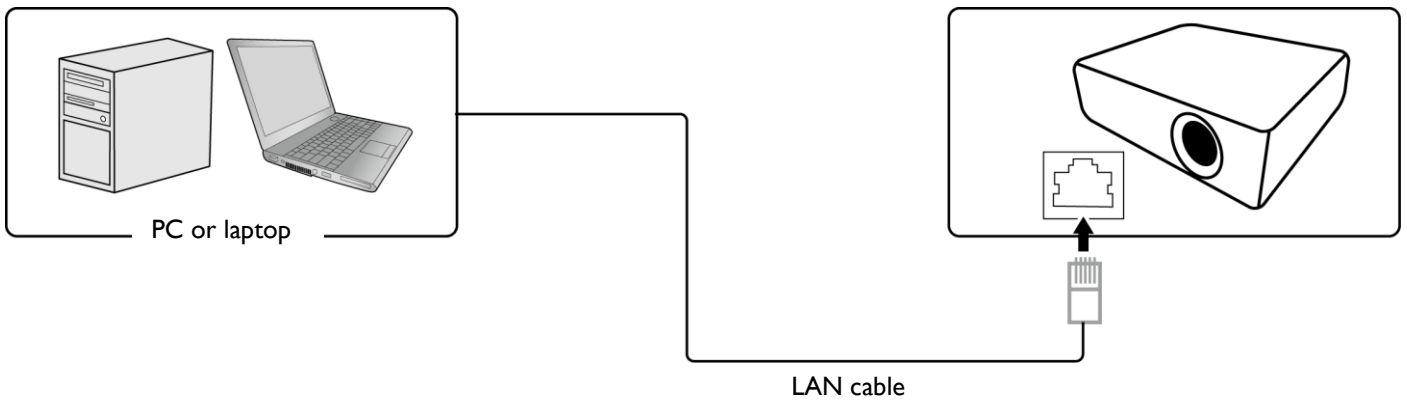


3. Finish **Serial port setup**.



Baud rate	9600 / 14400 / 19200 / 38400 / 57600 / 115200 bps  Check the baud rate of the connected projector from its OSD menu.
Data length	8 bit
Parity check	None
Stop bit	1 bit
Flow control	None

## RS232 via LAN

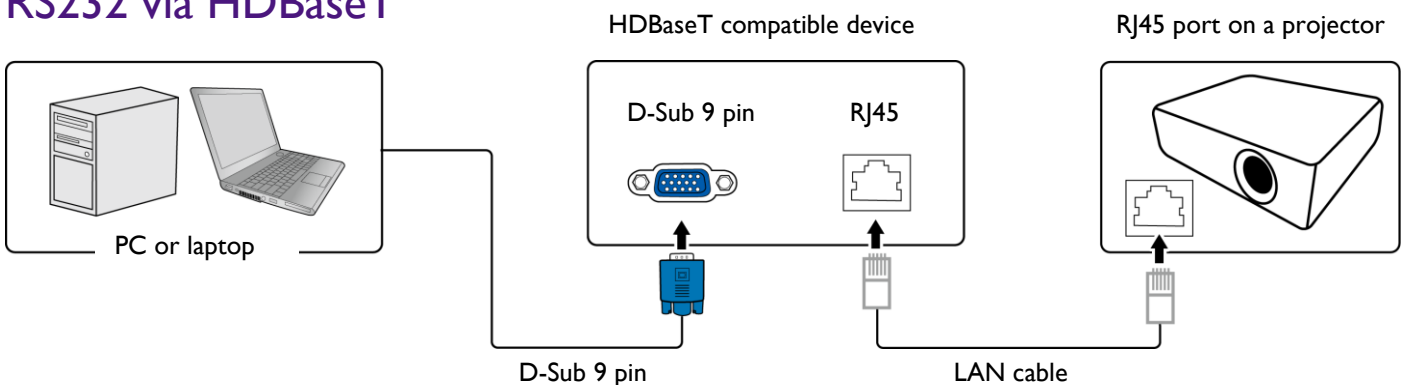


## Settings

1. Find the Wired LAN IP address of the connected projector from the OSD menu and make sure the projector and the computer are within the same network.
2. Input **8000** in the **TCP port #** field.



## RS232 via HDBaseT

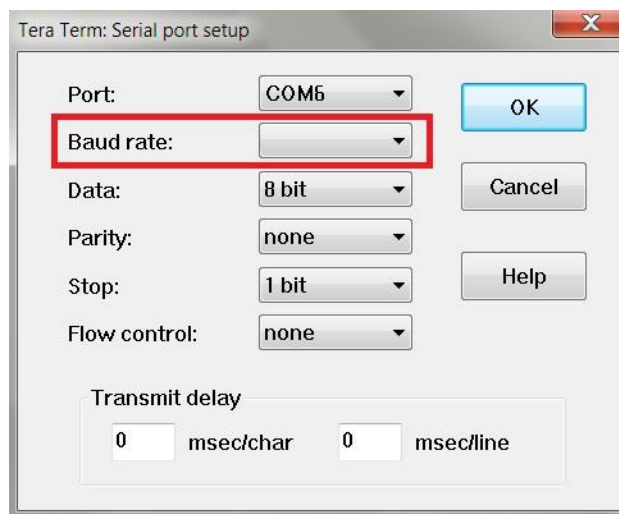



## Settings

1. Determine the COM Port name used for the RS232 communications in **Device Manager**.
2. Choose **Serial** and the corresponding COM port as the communication port. In this given example, COM6 is selected.



3. Finish **Serial** port setup.



Baud rate	9600 / 14400 / 19200 / 38400 / 57600 / 115200 bps  Check the baud rate of the connected projector from its OSD menu.
Data length	8 bit
Parity check	None
Stop bit	1 bit
Flow control	None

# Command table



- Available features differ by projector specification, input sources, settings, etc..
- Commands are working if the standby power is 0.5W or a supported baud rate of the projector is set.
- Uppercase, lowercase, and a mixture of both types of characters are accepted for a command.
- If a command format is illegal, it will echo **Illegal format**.
- If a command with correct format is not valid for the projector model, it will echo **Unsupported item**.
- If a command with correct format cannot be executed under certain condition, it will echo **Block item**.
- If RS232 control is performed via LAN, a command works whether it starts and ends with **<CR>**. All the commands and behaviors are identical with the control through a serial port.

Function	Type	Operation	ASCII	Support
Power	Write	Power On	<CR>*pow=on#<CR>	YES
	Write	Power Off	<CR>*pow=off#<CR>	YES
	Read	Power Status	<CR>*pow=?#<CR>	YES
Source Selection	Write	COMPUTER/YPbPr	<CR>*sour=RGB#<CR>	NO
	Write	COMPUTER 2/YPbPr2	<CR>*sour=RGB2#<CR>	NO
	Write	COMPUTER 3/YPbPr3	<CR>*sour=RGB3#<CR>	NO
	Write	Component	<CR>*sour=ypr#<CR>	NO
	Write	Component2	<CR>*sour=ypr2#<CR>	NO
	Write	DVI-A	<CR>*sour=dviA#<CR>	NO
	Write	DVI-D	<CR>*sour=dvid#<CR>	NO
	Write	HDMI(MHL)	<CR>*sour=hdmi#<CR>	YES
	Write	HDMI 2(MHL2)	<CR>*sour=hdmi2#<CR>	YES
	Write	HDMI 3	<CR>*sour=hdmi3#<CR>	YES
	Write	Composite	<CR>*sour=vid#<CR>	NO
	Write	S-Video	<CR>*sour=svid#<CR>	NO
	Write	Network	<CR>*sour=network#<CR>	NO
	Write	USB Display	<CR>*sour=usbdisplay#<CR>	NO
	Write	USB Reader	<CR>*sour=usbreader#<CR>	NO
	Write	HDbaseT	<CR>*sour=hdbaset#<CR>	NO
	Write	DisplayPort	<CR>*sour=dp#<CR>	NO
	Write	3G-SDI	<CR>*sour=sdi#<CR>	NO
	Write	Smart System	<CR>*sour=smartsystem#<CR>	NO
Read	Current source	<CR>*sour=?#<CR>	YES	
Audio Control	Write	Mute On	<CR>*mute=on#<CR>	YES
	Write	Mute Off	<CR>*mute=off#<CR>	YES
	Read	Mute Status	<CR>*mute=?#<CR>	YES
	Write	Volume +	<CR>*vol=+#<CR>	NO
	Write	Volume -	<CR>*vol=-#<CR>	NO



	Write	Volume level for customer	<CR>*vol=value#<CR>	YES
	Read	Volume Status	<CR>*vol=?#<CR>	YES
	Write	Mic.Volume +	<CR>*micvol=+#<CR>	NO
	Write	Mic.Volume -	<CR>*micvol=-#<CR>	NO
	Read	Mic.Volume Status	<CR>*micvol=?#<CR>	NO
Audio source select	Write	Audio pass Through off	<CR>*audiosour=off#<CR>	NO
	Write	Audio-Computer 1	<CR>*audiosour=RGB#<CR>	NO
	Write	Audio-Computer2	<CR>*audiosour=RGB2#<CR>	NO
	Write	Audio-Video/S-Video	<CR>*audiosour=vid#<CR>	NO
	Write	Audio-Component	<CR>*audiosour=yprb#<CR>	NO
	Write	Audio-HDMI	<CR>*audiosour=hdmi#<CR>	NO
	Write	Audio-HDMI2	<CR>*audiosour=hdmi2#<CR>	NO
	Write	Audio-HDMI3	<CR>*audiosour=hdmi3#<CR>	NO
	Read	Audio pass Status	<CR>*audiosour=?#<CR>	NO
Picture Mode	Write	Dynamic	<CR>*appmod=dynamic#<CR>	NO
	Write	Presentation	<CR>*appmod=preset#<CR>	NO
	Write	sRGB	<CR>*appmod=srgb#<CR>	NO
	Write	Bright	<CR>*appmod=bright#<CR>	YES
	Write	Living Room	<CR>*appmod=livingroom#<CR>	YES
	Write	Game	<CR>*appmod=game#<CR>	YES
	Write	Cinema(Rec.709)	<CR>*appmod=cine#<CR>	YES
	Write	Standard/Vivid	<CR>*appmod=std#<CR>	NO
	Write	Football	<CR>*appmod=football#<CR>	NO
	Write	Football Bright	<CR>*appmod=footballbt#<CR>	NO
	Write	DICOM	<CR>*appmod=dicom#<CR>	NO
	Write	THX	<CR>*appmod=thx#<CR>	NO
	Write	Silence mode	<CR>*appmod=silence#<CR>	NO
	Write	DCI-P3 mode(D. Cinema)	<CR>*appmod=dci-p3#<CR>	NO
	Write	Vivid	<CR>*appmod=vivid#<CR>	NO
	Write	Infographic	<CR>*appmod=infographic#<CR>	NO
	Write	User 1	<CR>*appmod=user 1#<CR>	YES
	Write	User2	<CR>*appmod=user2#<CR>	NO
	Write	User3	<CR>*appmod=user3#<CR>	NO
	Write	ISF Day	<CR>*appmod=isfday#<CR>	NO
	Write	ISF Night	<CR>*appmod=isfnight#<CR>	NO
	Write	3D	<CR>*appmod=threed#<CR>	NO
	Write	Sport	<CR>*appmod=sport#<CR>	YES
Write	HDR10	<CR>*appmod=hdr#<CR>	NO	

	Write	HLG	<CR>*appmod=hlg#<CR>	NO
	Read	Picture Mode	<CR>*appmod=?#<CR>	YES
Picture Setting	Write	Contrast +	<CR>*con=+#<CR>	NO
	Write	Contrast -	<CR>*con=-#<CR>	NO
	Write	Set Contrast value	<CR>*con=value#<CR>	YES
	Read	Contrast value	<CR>*con=?#<CR>	YES
	Write	Brightness +	<CR>*bri=+#<CR>	YES
	Write	Brightness -	<CR>*bri=-#<CR>	YES
	Write	Set Brightness value	<CR>*bri=value#<CR>	YES
	Read	Brightness value	<CR>*bri=?#<CR>	YES
	Write	Color +	<CR>*color=+#<CR>	NO
	Write	Color -	<CR>*color=-#<CR>	NO
	Write	Set Color value	<CR>*color=value#<CR>	YES
	Read	Color value	<CR>*color=?#<CR>	YES
	Write	Sharpness +	<CR>*sharp=+#<CR>	NO
	Write	Sharpness -	<CR>*sharp=-#<CR>	NO
	Write	Set Sharpness value	<CR>*sharp=value#<CR>	YES
	Read	Sharpness value	<CR>*sharp=?#<CR>	YES
	Write	Flesh Tone +	<CR>*fleshtone=+#<CR>	NO
	Write	Flesh Tone -	<CR>*fleshtone=-#<CR>	NO
	Write	Set Flesh Tone value	<CR>*fleshtone=value#<CR>	NO
	Read	Flesh Tone value	<CR>*fleshtone=?#<CR>	NO
	Write	Color Temperature-Warmer	<CR>*ct=warm#<CR>	NO
	Write	Color Temperature-Warm	<CR>*ct=warm#<CR>	YES
	Write	Color Temperature-Normal	<CR>*ct=normal#<CR>	YES
	Write	Color Temperature-Cool	<CR>*ct=cool#<CR>	YES
	Write	Color Temperature-Cooler	<CR>*ct=cooler#<CR>	NO
	Write	Color Temperature-lamp native	<CR>*ct=native#<CR>	YES
	Read	Color Temperature Status	<CR>*ct=?#<CR>	YES
	Write	Aspect 4:3	<CR>*asp=4:3#<CR>	YES
	Write	Aspect 16:6	<CR>*asp=16:6#<CR>	NO
	Write	Aspect 16:9	<CR>*asp=16:9#<CR>	YES
	Write	Aspect 16:10	<CR>*asp=16:10#<CR>	NO
	Write	Aspect 2.35:1	<CR>*asp=2.35#<CR>	NO
Write	Aspect Auto	<CR>*asp=AUTO#<CR>	YES	
Write	Aspect Real	<CR>*asp=REAL#<CR>	NO	
Write	Aspect Letterbox	<CR>*asp=LBOX#<CR>	NO	
Write	Aspect Wide	<CR>*asp=WIDE#<CR>	NO	

Write	Aspect Anamorphic	<CR>*asp=ANAM#<CR>	NO
Write	Aspect Anamorphic 2.35	<CR>*asp=ANAM2.35#<CR>	NO
Write	Aspect Anamorphic 16:9	<CR>*asp=ANAM16:9#<CR>	NO
Read	Aspect Status	<CR>*asp=?#<CR>	YES
Write	Vertical Keystone +	<CR>*vkeystone=+#<CR>	YES
Write	Vertical Keystone -	<CR>*vkeystone=-#<CR>	YES
Read	Vertical Keystone value	<CR>*vkeystone=?#<CR>	YES
Write	Horizontal Keystone +	<CR>*hkeystone=+#<CR>	YES
Write	Horizontal Keystone -	<CR>*hkeystone=-#<CR>	YES
Read	Horizontal Keystone value	<CR>*hkeystone=?#<CR>	YES
Write	Overscan Adjustment +	<CR>*overscan=+#<CR>	NO
Write	Overscan Adjustment -	<CR>*overscan=-#<CR>	NO
Read	Overscan Adjustment value	<CR>*overscan=?#<CR>	NO
Write	4 Corners Top-Left-X Decrease	<CR>*cornerfittlx=-#<CR>	NO
Write	4 Corners Top-Left-X Increase	<CR>*cornerfittlx=+#<CR>	NO
Read	4 Corners Top-Left-X Status	<CR>*cornerfittlx=?#<CR>	NO
Write	4 Corners Top-Left-Y Decrease	<CR>*cornerfittly=-#<CR>	NO
Write	4 Corners Top-Left-Y Increase	<CR>*cornerfittly=+#<CR>	NO
Read	4 Corners Top-Left-Y Status	<CR>*cornerfittly=?#<CR>	NO
Write	4 Corners Top-Right-X Decrease	<CR>*cornerfittrx=-#<CR>	NO
Write	4 Corners Top-Right-X Increase	<CR>*cornerfittrx=+#<CR>	NO
Read	4 Corners Top-Right-X Status	<CR>*cornerfittrx=?#<CR>	NO
Write	4 Corners Top-Right-Y Decrease	<CR>*cornerfittry=-#<CR>	NO
Write	4 Corners Top-Right-Y Increase	<CR>*cornerfittry=+#<CR>	NO
Read	4 Corners Top-Right-Y Status	<CR>*cornerfittry=?#<CR>	NO
Write	4 Corners Bottom-Left-X Decrease	<CR>*cornerfitblx=-#<CR>	NO
Write	4 Corners Bottom-Left-X Increase	<CR>*cornerfitblx=+#<CR>	NO
Read	4 Corners Bottom-Left-X Status	<CR>*cornerfitblx=?#<CR>	NO
Write	4 Corners Bottom-Left-Y Decrease	<CR>*cornerfitbly=-#<CR>	NO
Write	4 Corners Bottom-Left-Y Increase	<CR>*cornerfitbly=+#<CR>	NO
Read	4 Corners Bottom-Left-Y Status	<CR>*cornerfitbly=?#<CR>	NO
Write	4 Corners Bottom-Right-X Decrease	<CR>*cornerfitbrx=-#<CR>	NO
Write	4 Corners Bottom-Right-X Increase	<CR>*cornerfitbrx=+#<CR>	NO
Read	4 Corners Bottom-Right-X Status	<CR>*cornerfitbrx=?#<CR>	NO
Write	4 Corners Bottom-Right-Y Decrease	<CR>*cornerfitbry=-#<CR>	NO

	Write	4 Corners Bottom-Right-Y Increase	<CR>*cornerfitbry=+#<CR>	NO	
	Read	4 Corners Bottom-Right-Y Status	<CR>*cornerfitbry=?#<CR>	NO	
	Write	Digital Zoom In	<CR>*zoomI#<CR>	NO	
	Write	Digital Zoom out	<CR>*zoomO#<CR>	NO	
	Write	Auto	<CR>*auto#<CR>	NO	
	Write	Brilliant color on	<CR>*BC=on#<CR>	YES	
	Write	Brilliant color off	<CR>*BC=off#<CR>	YES	
	Read	Brilliant color status	<CR>*BC=?#<CR>	YES	
	Write	Auto(HDR)	<CR>*hdr=auto#<CR>	NO	
	Write	SDR	<CR>*hdr=sdr#<CR>	NO	
	Write	HDR10	<CR>*hdr=hdr#<CR>	NO	
	Write	HLG	<CR>*hdr=hl#<CR>	NO	
	Read	HDR status	<CR>*hdr=?#<CR>	NO	
	Write	Reset current picture settings	<CR>*rstcurpicsetting#<CR>	YES	
	Write	Reset all picture settings	<CR>*rstallpicsetting#<CR>	YES	
	Operation Settings	Write	Projector Position-Front Table	<CR>*pp=FT#<CR>	YES
		Write	Projector Position-Rear Table	<CR>*pp=RE#<CR>	YES
		Write	Projector Position-Rear Ceiling	<CR>*pp=RC#<CR>	YES
Write		Projector Position-Front Ceiling	<CR>*pp=FC#<CR>	YES	
Read		Projector Position Status	<CR>*pp=?#<CR>	YES	
Write		Quick cooling on	<CR>*qcool=on<CR>	NO	
Write		Quick cooling off	<CR>*qcool=off<CR>	NO	
Read		Quick cooling status	<CR>*qcool=?<CR>	NO	
Write		Quick auto search	<CR>*QAS=on#<CR>	NO	
Write		Quick auto search	<CR>*QAS=off#<CR>	NO	
Read		Quick auto search status	<CR>*QAS=?#<CR>	NO	
Write		Menu Position - Center	<CR>*menuposition=center#<CR> >	YES	
Write		Menu Position - Top-Left	<CR>*menuposition=tl#<CR>	YES	
Write		Menu Position - Top-Right	<CR>*menuposition=tr#<CR>	YES	
Write		Menu Position - Bottom-Right	<CR>*menuposition=br#<CR>	YES	
Write		Menu Position - Bottom-Left	<CR>*menuposition=bl#<CR>	YES	
Read		Menu Position Status	<CR>*menuposition=?#<CR>	YES	
Write		Direct Power On-on	<CR>*directpower=on#<CR>	YES	
Write		Direct Power On-off	<CR>*directpower=off#<CR>	YES	
Read		Direct Power On-Status	<CR>*directpower=?#<CR>	YES	
Write		Signal Power On-on	<CR>*autopower=on#<CR>	NO	
Write	Signal Power On-off	<CR>*autopower=off#<CR>	NO		

	Read	Signal Power On-Status	<CR>*autopower=?#<CR>	NO
	Write	Standby Settings-Network on	<CR>*standbynet=on#<CR>	NO
	Write	Standby Settings-Network off	<CR>*standbynet=off#<CR>	NO
	Read	Standby Settings-Network Status	<CR>*standbynet=?#<CR>	NO
	Write	Standby Settings-Microphone on	<CR>*standbymic=on#<CR>	NO
	Write	Standby Settings-Microphone off	<CR>*standbymic=off#<CR>	NO
	Read	Standby Settings-Microphone Status	<CR>*standbymic=?#<CR>	NO
	Write	Standby Settings-Monitor Out on	<CR>*standbymnt=on#<CR>	NO
	Write	Standby Settings-Monitor Out off	<CR>*standbymnt=off#<CR>	NO
	Read	Standby Settings-Monitor Out Status	<CR>*standbymnt=?#<CR>	NO
Baud Rate	Write	2400	<CR>*baud=2400#<CR>	NO
	Write	4800	<CR>*baud=4800#<CR>	NO
	Write	9600	<CR>*baud=9600#<CR>	YES
	Write	14400	<CR>*baud=14400#<CR>	YES
	Write	19200	<CR>*baud=19200#<CR>	YES
	Write	38400	<CR>*baud=38400#<CR>	YES
	Write	57600	<CR>*baud=57600#<CR>	YES
	Write	115200	<CR>*baud=115200#<CR>	YES
	Read	Current Baud Rate	<CR>*baud=?#<CR>	YES
Lamp Control	Read	Lamp	<CR>*ltim=?#<CR>	YES
	Read	Lamp2 Hour	<CR>*ltim2=?#<CR>	NO
	Write	Normal mode	<CR>*lampm=lnor#<CR>	YES
	Write	Eco mode	<CR>*lampm=eco#<CR>	YES
	Write	SmartEco mode	<CR>*lampm=seco#<CR>	YES
	Write	SmartEco mode 2	<CR>*lampm=seco2#<CR>	YES
	Write	SmartEco mode 3	<CR>*lampm=seco3#<CR>	NO
	Write	Dimming mode	<CR>*lampm=dimming#<CR>	NO
	Write	Custom mode	<CR>*lampm=custom#<CR>	NO
	Write	Light level for custom mode	<CR>*lampcustom=value#<CR>	NO
	Read	Light level status for custom mode	<CR>*lampcustom=?#<CR>	NO
	Read	Lamp Mode Status	<CR>*lampm=?#<CR>	YES
Miscellaneous	Read	Model Name	<CR>*modelname=?#<CR>	YES
	Read	System F/W Version	<CR>*sysfwversion=?#<CR>	YES
	Read	Scaler F/W Version	<CR>*scalerfwversion=?#<CR>	YES
	Read	Format F/W version	<CR>*formatfwversion=?#<CR>	NO
	Read	Lan F/W Version	<CR>*lanfwversion=?#<CR>	NO
	Read	MCU F/W Version	<CR>*mcutfwversion=?#<CR>	YES

Read	Ballast F/W Version	<CR>*ballastfwversion=?#<CR>	NO
Write	Blank On	<CR>*blank=on#<CR>	YES
Write	Blank Off	<CR>*blank=off#<CR>	YES
Read	Blank Status	<CR>*blank=?#<CR>	YES
Write	Freeze On	<CR>*freeze=on#<CR>	YES
Write	Freeze Off	<CR>*freeze=off#<CR>	YES
Read	Freeze Status	<CR>*freeze=?#<CR>	YES
Write	Menu On	<CR>*menu=on#<CR>	YES
Write	Menu Off	<CR>*menu=off#<CR>	YES
Read	Menu Status	<CR>*menu=?#<CR>	YES
Write	Up	<CR>*up#<CR>	YES
Write	Down	<CR>*down#<CR>	YES
Write	Right	<CR>*right#<CR>	YES
Write	Left	<CR>*left#<CR>	YES
Write	Enter	<CR>*enter#<CR>	YES
Write	Back	<CR>*back#<CR>	YES
Write	Source Menu On	<CR>*sourmenu=on#<CR>	YES
Write	Source Menu Off	<CR>*sourmenu=off#<CR>	YES
Read	Source Menu Status	<CR>*sourmenu=?#<CR>	YES
Write	3D Sync Off	<CR>*3d=off#<CR>	YES
Write	3D Auto	<CR>*3d=auto#<CR>	NO
Write	3D Sync Top Bottom	<CR>*3d=tb#<CR>	NO
Write	3D Sync Frame Sequential	<CR>*3d=fs#<CR>	YES
Write	3D Frame packing	<CR>*3d=fp#<CR>	NO
Write	3D Side by side	<CR>*3d=sbs#<CR>	NO
Write	3D inverter disable	<CR>*3d=da#<CR>	NO
Write	3D inverter	<CR>*3d=iv#<CR>	NO
Write	2D to 3D	<CR>*3d=2d3d#<CR>	NO
Write	3D nVIDIA	<CR>*3d=nvidia#<CR>	NO
Read	3D Sync Status	<CR>*3d=?#<CR>	YES
Write	Remote Receiver On	<CR>*rr=on#<CR>	NO
Write	Remote Receiver Off	<CR>*rr=off#<CR>	NO
Write	Remote Receiver-front+rear	<CR>*rr=fr#<CR>	NO
Write	Remote Receiver-front	<CR>*rr=f#<CR>	NO
Write	Remote Receiver-rear	<CR>*rr=r#<CR>	NO
Write	Remote Receiver-top	<CR>*rr=t#<CR>	NO
Write	Remote Receiver-top+front	<CR>*rr=tf#<CR>	NO
Write	Remote Receiver-top+rear	<CR>*rr=tr#<CR>	NO

	Read	Remote Receiver Status	<CR>*rr=?#<CR>	NO
	Write	Instant On-on	<CR>*ins=on#<CR>	NO
	Write	Instant On-off	<CR>*ins=off#<CR>	NO
	Read	Instant On Status	<CR>*ins=?#<CR>	NO
	Write	Lamp Saver Mode-on	<CR>*lpsaver=on#<CR>	NO
	Write	Lamp Saver Mode-off	<CR>*lpsaver=off#<CR>	NO
	Read	Lamp Saver Mode Status	<CR>*lpsaver=?#<CR>	NO
	Write	Projection Log In Code on	<CR>*prjlogincode=on#<CR>	NO
	Write	Projection Log In Code off	<CR>*prjlogincode=off#<CR>	NO
	Read	Projection Log In Code Status	<CR>*prjlogincode=?#<CR>	NO
	Write	Broadcasting on	<CR>*broadcasting=on#<CR>	NO
	Write	Broadcasting off	<CR>*broadcasting=off#<CR>	NO
	Read	Broadcasting Status	<CR>*broadcasting=?<CR>	NO
	Write	AMX Device Discovery-on	<CR>*amxdd=on#<CR>	NO
	Write	AMX Device Discovery-off	<CR>*amxdd=off#<CR>	NO
	Read	AMX Device Discovery Status	<CR>*amxdd=?#<CR>	NO
	Read	Mac Address	<CR>*macaddr=?#<CR>	NO
	Write	High Altitude mode on	<CR>*Highaltitude=on#<CR>	YES
	Write	High Altitude mode off	<CR>*Highaltitude=off#<CR>	YES
	Read	High Altitude mode status	<CR>*Highaltitude=?#<CR>	YES
Installation	Write	Load Lens memory 1	<CR>*lensload=m1#<CR>	NO
	Write	Load Lens memory 2	<CR>*lensload=m2#<CR>	NO
	Write	Load Lens memory 3	<CR>*lensload=m3#<CR>	NO
	Write	Load Lens memory 4	<CR>*lensload=m4#<CR>	NO
	Write	Load Lens memory 5	<CR>*lensload=m5#<CR>	NO
	Write	Load Lens memory 6	<CR>*lensload=m6#<CR>	NO
	Write	Load Lens memory 7	<CR>*lensload=m7#<CR>	NO
	Write	Load Lens memory 8	<CR>*lensload=m8#<CR>	NO
	Write	Load Lens memory 9	<CR>*lensload=m9#<CR>	NO
	Write	Load Lens memory 10	<CR>*lensload=m10#<CR>	NO
	Read	Read Lens memory status	<CR>*lensload=?#<CR>	NO
	Write	save Lens memory 1	<CR>*lenssave=m1#<CR>	NO
	Write	save Lens memory 2	<CR>*lenssave=m2#<CR>	NO
	Write	save Lens memory 3	<CR>*lenssave=m3#<CR>	NO
	Write	save Lens memory 4	<CR>*lenssave=m4#<CR>	NO
	Write	save Lens memory 5	<CR>*lenssave=m5#<CR>	NO
	Write	save Lens memory 6	<CR>*lenssave=m6#<CR>	NO
	Write	save Lens memory 7	<CR>*lenssave=m7#<CR>	NO

	Write	save Lens memory 8	<CR>*lenssave=m8#<CR>	NO
	Write	save Lens memory 9	<CR>*lenssave=m9#<CR>	NO
	Write	save Lens memory 10	<CR>*lenssave=m10#<CR>	NO
	Write	Reset Lens to center	<CR>*lensreset=center#<CR>	NO
Color Calibration (only for service)	Write	Tint +	<CR>*tint=+#<CR>	NO
	Write	Tint -	<CR>*tint=-#<CR>	NO
	Write	Set Tint value	<CR>*tint=value#<CR>	NO
	Read	Get Tint value	<CR>*tint=?#<CR>	NO
	Write	Set BenQ gamma value	<CR>*gamma=value#<CR>	YES
	Read	Gamma value status	<CR>*gamma=?#<CR>	YES
	Write	Set HDR Brightness value	<CR>*hdrbri=value#<CR>	YES
	Read	Get HDR Brightness value	<CR>*hdibri=?#<CR>	YES
	Write	Red Gain +	<CR>*RGain=+#<CR>	NO
	Write	Red Gain -	<CR>*RGain=-#<CR>	NO
	Write	Set Red Gain value	<CR>*RGain=value#<CR>	YES
	Read	Get Red Gain value	<CR>*RGain=?#<CR>	YES
	Write	Green Gain +	<CR>*GGain=+#<CR>	NO
	Write	Green Gain -	<CR>*GGain=-#<CR>	NO
	Write	Set Green Gain value	<CR>*GGain=value#<CR>	YES
	Read	Get Green Gain value	<CR>*GGain=?#<CR>	YES
	Write	Blue Gain +	<CR>*BGain=+#<CR>	NO
	Write	Blue Gain -	<CR>*BGain=-#<CR>	NO
	Write	Set Blue Gain value	<CR>*BGain=value#<CR>	YES
	Read	Get Blue Gain value	<CR>*BGain=?#<CR>	YES
	Write	Red Offset +	<CR>*ROffset=+#<CR>	NO
	Write	Red Offset -	<CR>*ROffset=-#<CR>	NO
	Write	Set Red Offset value	<CR>*ROffset=value#<CR>	YES
	Read	Get Red Offset value	<CR>*ROffset=?#<CR>	YES
	Write	Green Offset +	<CR>*GOffset=+#<CR>	NO
	Write	Green Offset -	<CR>*GOffset=-#<CR>	NO
	Write	Set Green Offset value	<CR>*GOffset=value#<CR>	YES
	Read	Get Green Offset value	<CR>*GOffset=?#<CR>	YES
	Write	Blue Offset +	<CR>*BOffset=+#<CR>	NO
	Write	Blue Offset -	<CR>*BOffset=-#<CR>	NO
	Write	Set Blue Offset value	<CR>*BOffset=value#<CR>	YES
	Read	Get Blue Offset value	<CR>*BOffset=?#<CR>	YES
Write	Primary Color	<CR>*primcr=value#<CR>	YES	
Read	Primary Color Status	<CR>*primcr=?#<CR>	YES	



Write	Hue +	<CR>*hue=+#<CR>	NO
Write	Hue -	<CR>*hue=-#<CR>	NO
Write	Set Hue value	<CR>*hue=value#<CR>	YES
Read	Get Hue value	<CR>*hue=?#<CR>	YES
Write	Saturation +	<CR>*saturation =+#<CR>	NO
Write	Saturation -	<CR>*saturation =-#<CR>	NO
Write	Set Saturation value	<CR>*saturation =value#<CR>	YES
Read	Get Saturation value	<CR>*saturation =?#<CR>	YES
Write	Gain +	<CR>*gain=+#<CR>	NO
Write	Gain -	<CR>*gain=-#<CR>	NO
Write	Set Gain value	<CR>*gain=value#<CR>	YES
Read	Get Gain value	<CR>*gain=?#<CR>	YES
Write	Color Gamut Auto	<CR>*cgamut=auto#<CR>	NO
Write	Color Gamut BT.709	<CR>*cgamut=bt.709#<CR>	NO
Write	Color Gamut BT.2020	<CR>*cgamut=bt.2020#<CR>	NO
Write	Color Gamut DCI-P3	<CR>*cgamut=dcip3#<CR>	NO
Read	Color Gamut Value	<CR>*cgamut=?#<CR>	NO
Write	Dynamic Iris ON	<CR>*diris=on#<CR>	NO
Write	Dynamic Iris OFF	<CR>*diris=off#<CR>	NO
Read	Dynamic Iris status	<CR>*diris=?#<CR>	NO
Write	Color Calibration Save	<CR>*colorsave#<CR>	NO
Write	Color Calibration pattern display	<CR>*colorpattern=value#<CR>	NO

**BenQ.com**

© 2018 BenQ Corporation

All rights reserved. Rights of modification reserved.

Version: 1.01-C