

DVY2I  
HD Video Camera  
User Manual



## Disclaimer

BenQ Corporation makes no representations or warranties, either expressed or implied, with respect to the contents of this document. BenQ Corporation reserves the right to revise this publication and to make changes from time to time in the contents thereof without obligation to notify any person of such revision or changes.

## Copyright

Copyright 2020 BenQ Corporation. All rights reserved. No part of this publication may be reproduced, transmitted, transcribed, stored in a retrieval system or translated into any language or computer language, in any form or by any means, electronic, mechanical, magnetic, optical, chemical, manual or otherwise, without the prior written permission of BenQ Corporation.

# Table of Contents

Important notices .....	4
Application instructions .....	4
Electric safety.....	4
Transport caution.....	4
Careful installation.....	4
Do not disassemble discretionarily .....	4
Installation instructions .....	5
Product interface.....	5
Using the product.....	5
Features .....	5
Advantages .....	6
Product information.....	7
Specifications .....	7
Dimensions .....	8
Maintenance and troubleshooting.....	9
Maintenance.....	9
Troubleshooting.....	9

## Important notices

This manual briefly introduces the camera functions, installation, and operations. Please read carefully before application.

### Application instructions

To prevent damages to this camera or any products connected to it, this product can only be used within the specified range:

1. Do not expose the camera to rain or moisture.
2. To prevent an electric shock, do not disassemble the camera; only qualified technicians can perform installation and maintenance.
3. Do not use under conditions that exceed the limited temperature, humidity or power supply specifications.
4. When cleaning the camera lens, please wipe it with a dry soft cloth. When the product is heavily soiled, please wipe it gently with a neutral detergent. Do not use strong or corrosive cleaning agents to avoid scratching the lens and affecting the image quality.

### Electric safety

This product must be installed in strict compliance with local electrical safety standards.

### Transport caution

Avoid heavy pressure, severe vibration, soaking damage to the product in transportation, storage, and installation.

### Careful installation

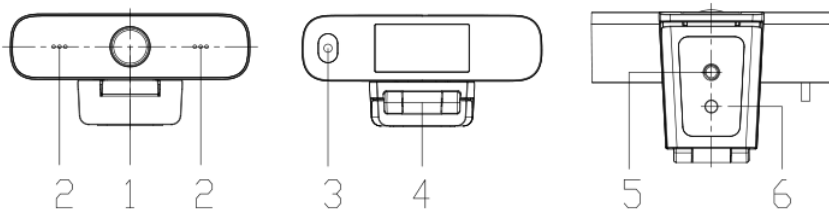
The camera body is made of organic material, please do keep away from corrosive liquid, gas, or solid material.

### Do not disassemble discretionarily

We are not responsible for any damage caused by unauthorized disassembling.

# Installation instructions

## Product interface



No.	Name
1	Lens (fixed focus)
2	Audio IN (built-in pickup)
3	USB 2.0 cable outlet hole (unpluggable): USB 2.0 port is available for plug and play. You can use USB 2.0 to play videos and charge the camera's battery.
4	Flexible clip/base
5	Screw hole for tripod
6	Mount and locate holes

## Using the product

1. Fix the product to the top of the display; place it directly on the desktop or mount it on a tripod.
2. Connect the USB cable with the computer, video conference devices, or other USB input devices.
3. Open the video software, then select the video device to get the video output.

## Features

DVY21 features perfect functions and excellent performance. It adopts advanced ISP processing algorithms so as to provide vivid images with evenly clear brightness, strong color layering, high resolution, and fantastic color rendition. Stable and reliable, it is easy and convenient to install and maintain.

1. USB 2.0: Easy to plug and play, support for power supply & software upgrades.
2. Lens optional: 87 degree wide angle lens with free distortion.
3. Built-in Mic: Inbuilt Microphone pick up for clear and natural stereo sound without external pickup equipment.
4. Multiple video encoding: Support H.264, H.265, MJPEG, YUV video encoding which enables the video to play more fluently.

## Advantages

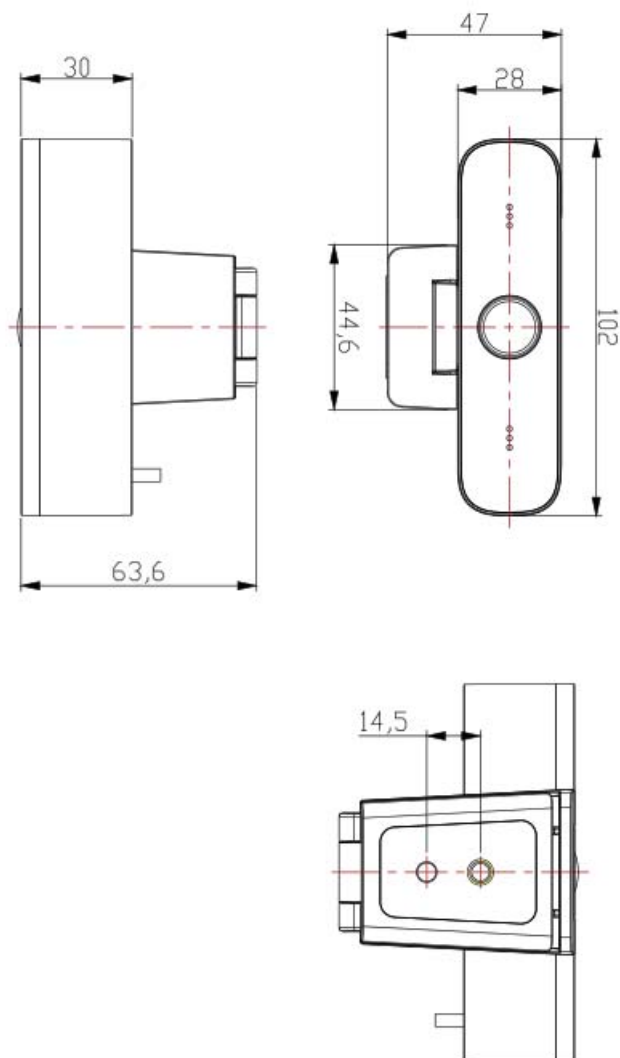
1. High-definition image: High quality CMOS sensor. Support compression of resolution up to 1920x1080 with frame up to 30fps. Provide clear, vivid HD image
2. Multiple installation: Free to choose installation location, the device is with a fixed clamp which enables it to be installed on the display or directly on the desk or tripod.
3. Wide application: Personal video platform, videoconferencing, cooperative office, etc.
4. Convenient application: Convenient and easy to use; no need to download driver or extra software.

# Product information

## Specifications

Item		Specifications
		DVY21
Camera Parameter	Image sensor	High quality CMOS sensor
	Effective Pixels	2.07MP, 16:9
	Video Resolution	USB Output: 960x540/320x180/432x240/640x360/800x448/ 800x600/864x480/960x720/1024x576/ 1280x720/1600x896/1920x1080/272x144/ 368x208/384x216/480x272/624x352/ 912x512/424x240/640x480/320x240/160x120/ P30
	View Angle	88°(D) /87°(H)/ 50°(V)
	Focal Length	3.24 mm
	Minimum Illumination	0.5Lux (F1.8, AGC ON)
	Focus	Manual
	AF	Fixed
	Backlight contrast	On/Off
	Exposure	Auto/Manual
	Video adjustments	Brightness, Definition, Saturation, Contrast, white balance, gain, anti-flicker, low brightness compensation adjustable
	SNR	>50dB
Output Parameter	Video output	USB2.0 (Power, upgrade support)
	Video compression	MJPEG, YUY2, H.264, H.265
	Audio input	Directional mics
Other Parameter	Input voltage	5V
	Input current	500mA (max)
	Power	2.5W (max)
	Store temperature	-10°C ~ 60°C
	Store humidity	20°C ~ 95°C
	Working temperature	-10°C ~ 50°C
	Working humidity	20°C ~ 80°C
	Dimensions (mm)	102×46×30
	Weight	0.15 kg

## Dimensions



Unit: mm



---

# Maintenance and troubleshooting

## Maintenance

1. If camera is not used for a long time, please turn off power adapter switch and AC plug.
2. Use soft cloth or tissue to clean the camera cover.
3. Use soft cloth to clean the lens; use neuter cleanser if smeared. Do NOT use strong or corrosive cleanser that may scuff the lens and affect the image.

## Troubleshooting

No video output & no image

1. Make sure the camera USB cable is connected properly.
2. Make sure the USB port is normal and the power indication light is on.
3. Disconnect the camera with computer and re-connect the USB cable.
4. Check if the video software has selected the right device.