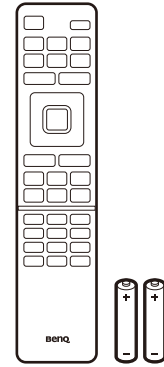
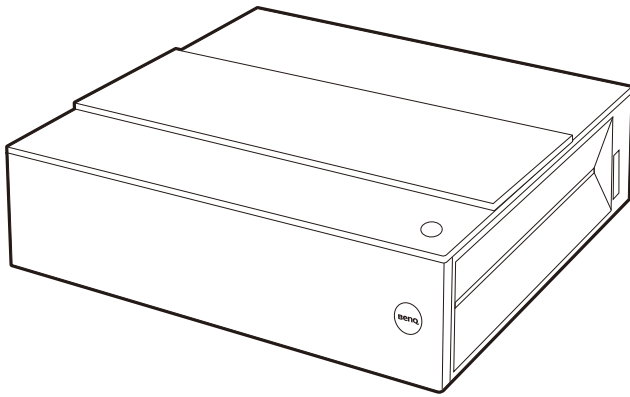
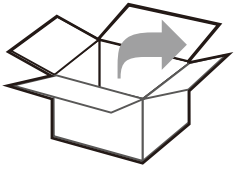




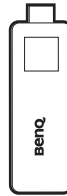
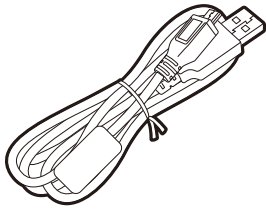
IMPORTANT

To install the projector properly, you are strongly recommended to follow the steps and safety precautions in this document.

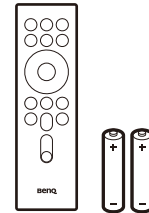
Digital Projector Installation Guide



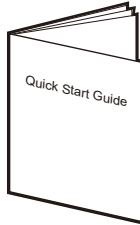
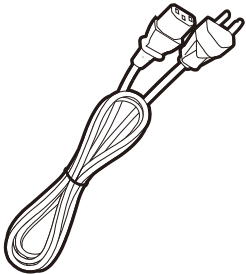
Projector's remote control



ATV dongle (QS01)



Dongle's remote control



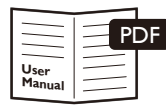
Quick Start Guide



Warranty card



Support.BenQ.com



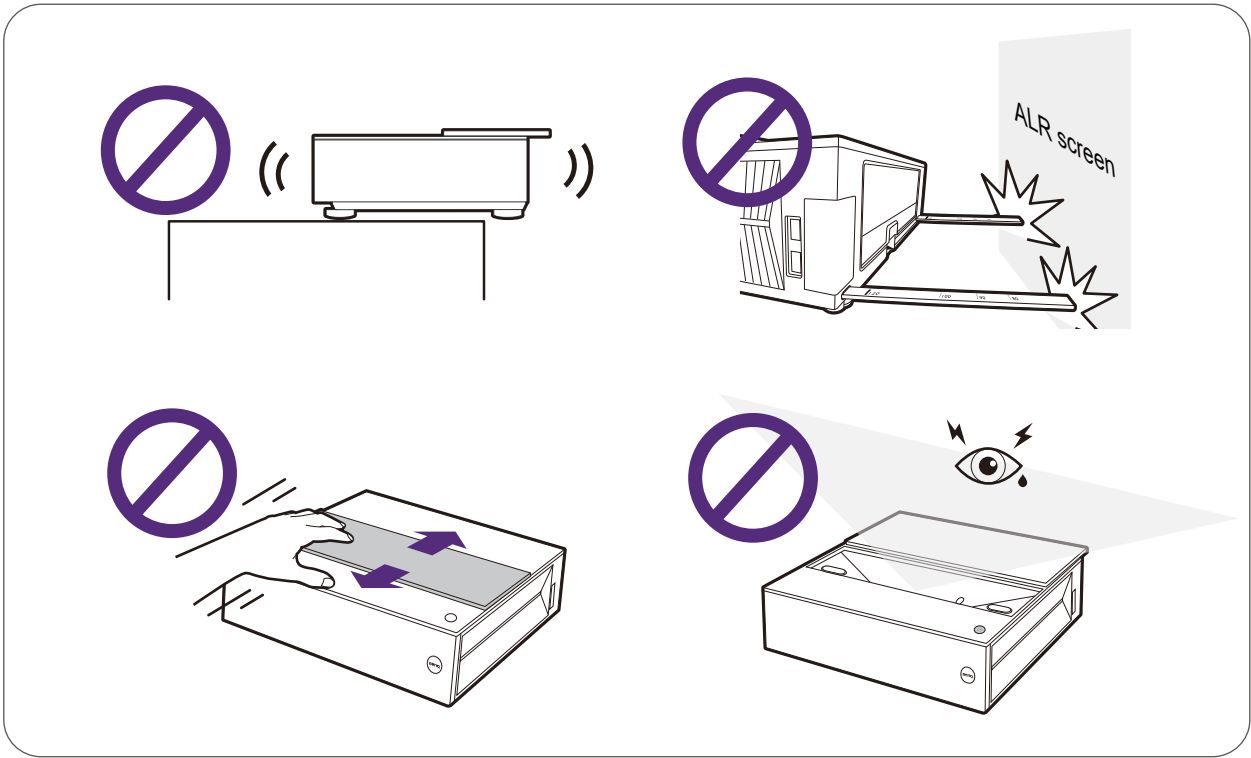
Online Manual
V7000i / V70500i / QS01



Product Support



Scan to watch how-to videos.

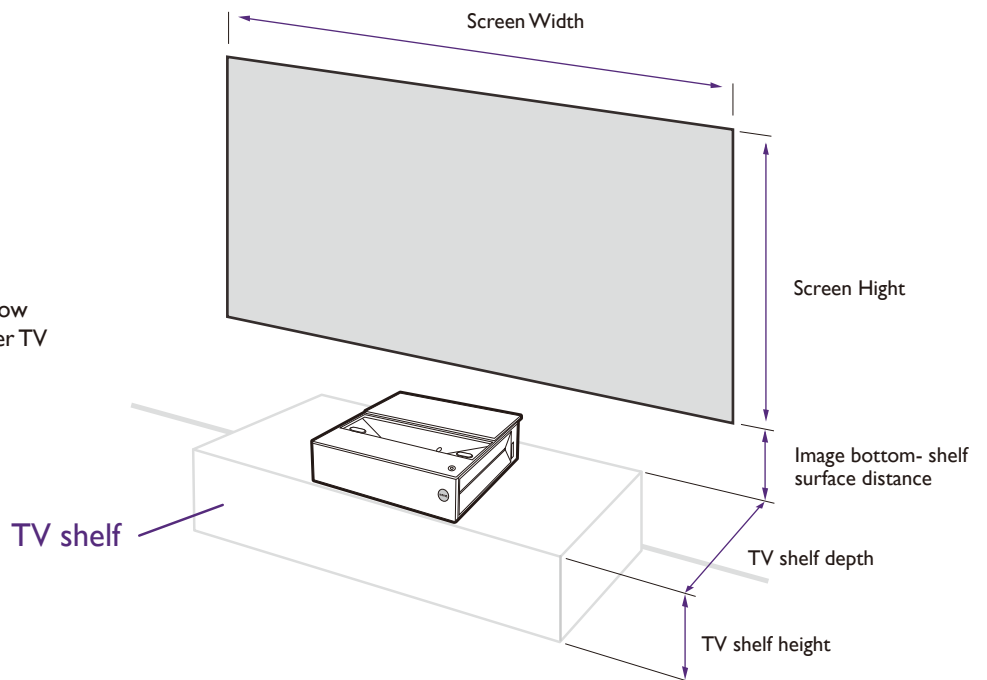


Before getting started

Check the size of your projection wall/screen and determine where to install the projector.

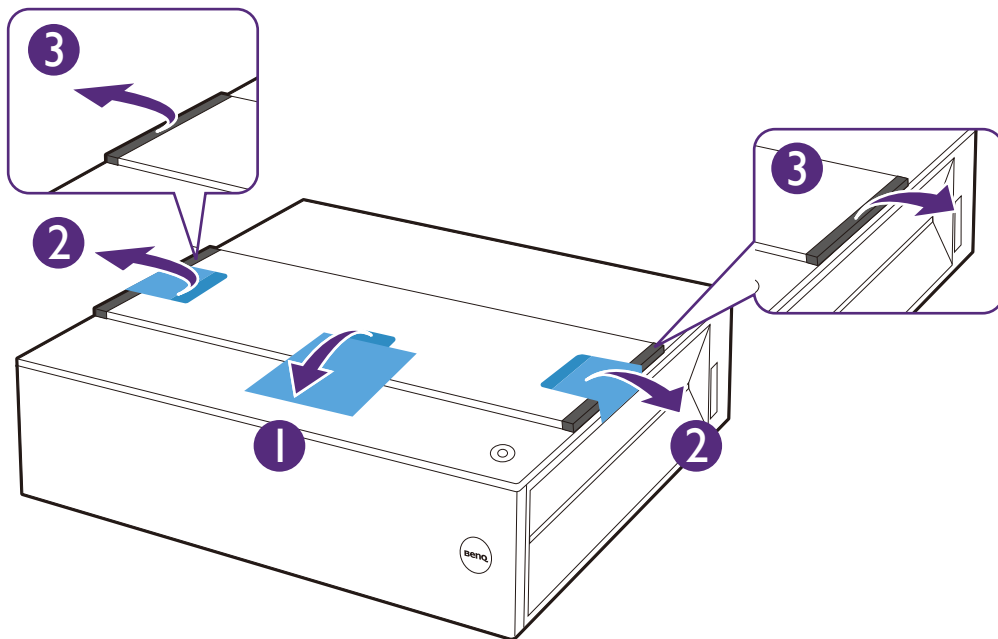


What You Need To Know Before You Buy Your Laser TV

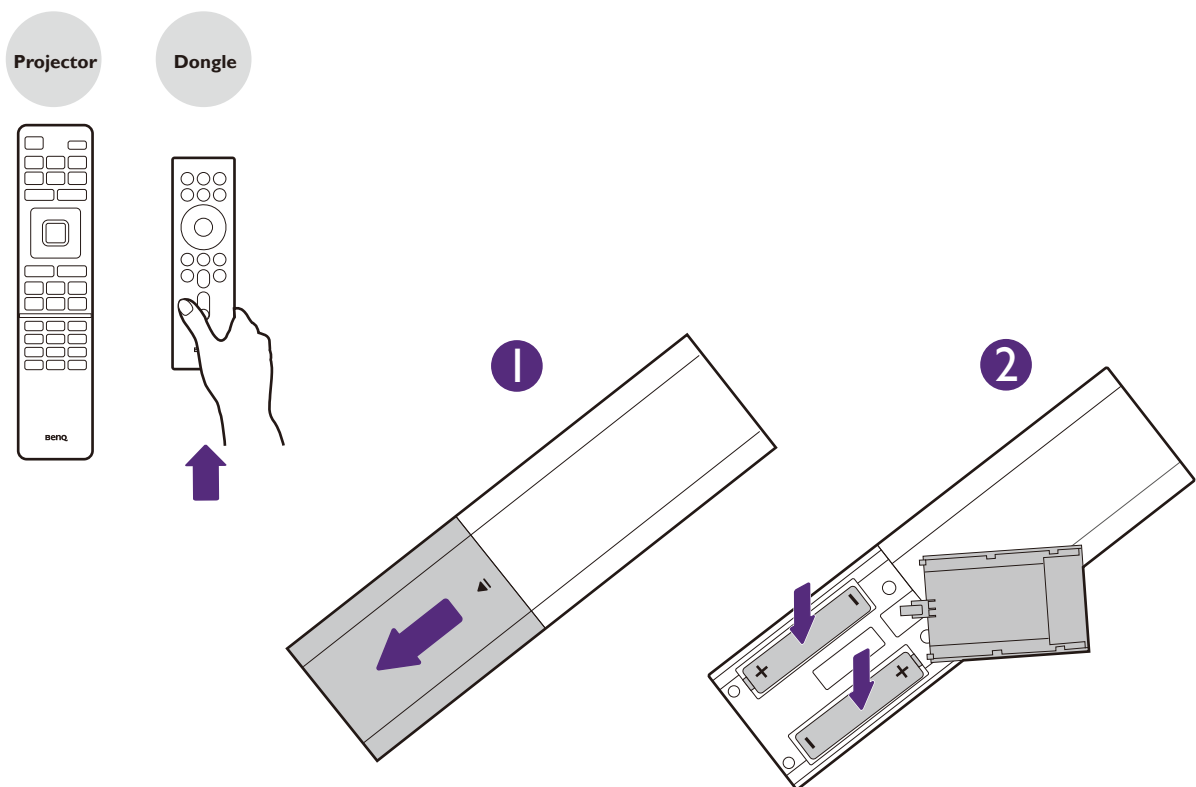


Note For details for projector placement, see “**Measurements**” on page 6.

Remove packing materials.



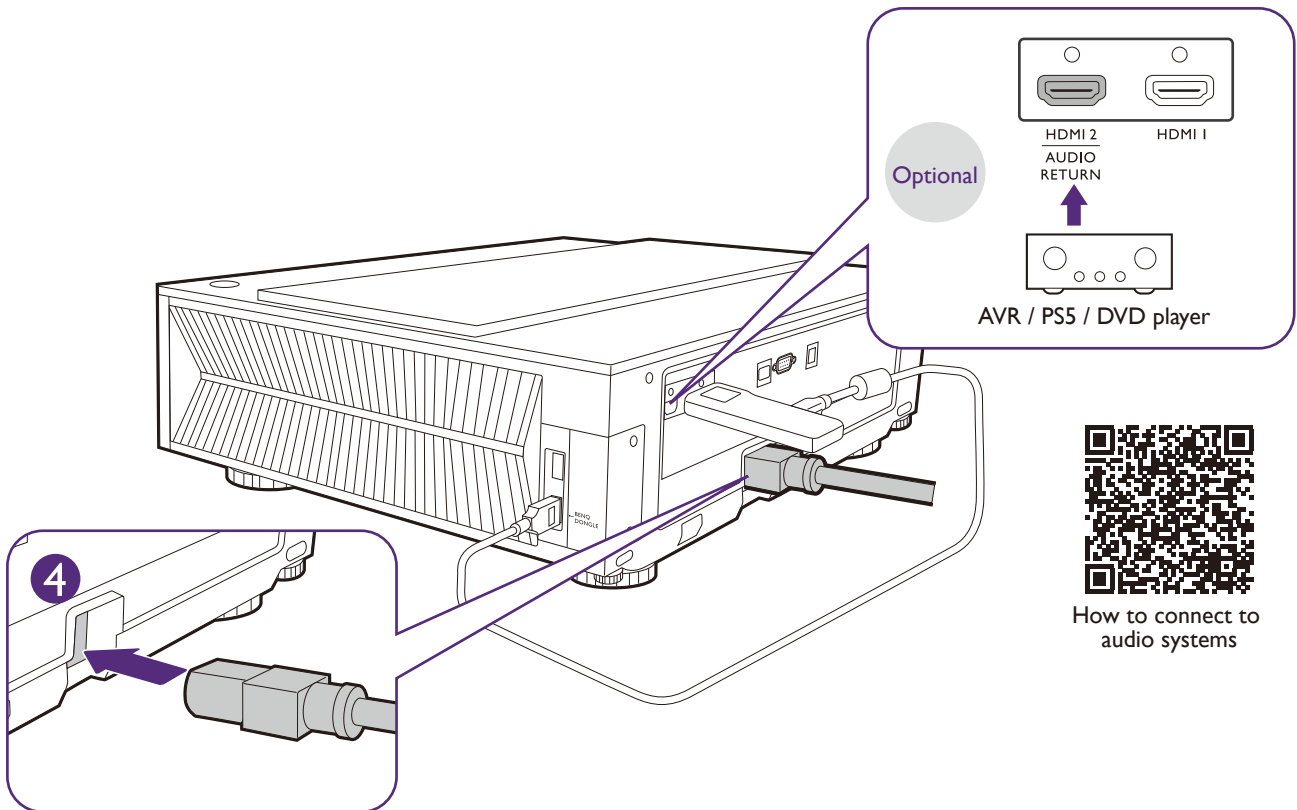
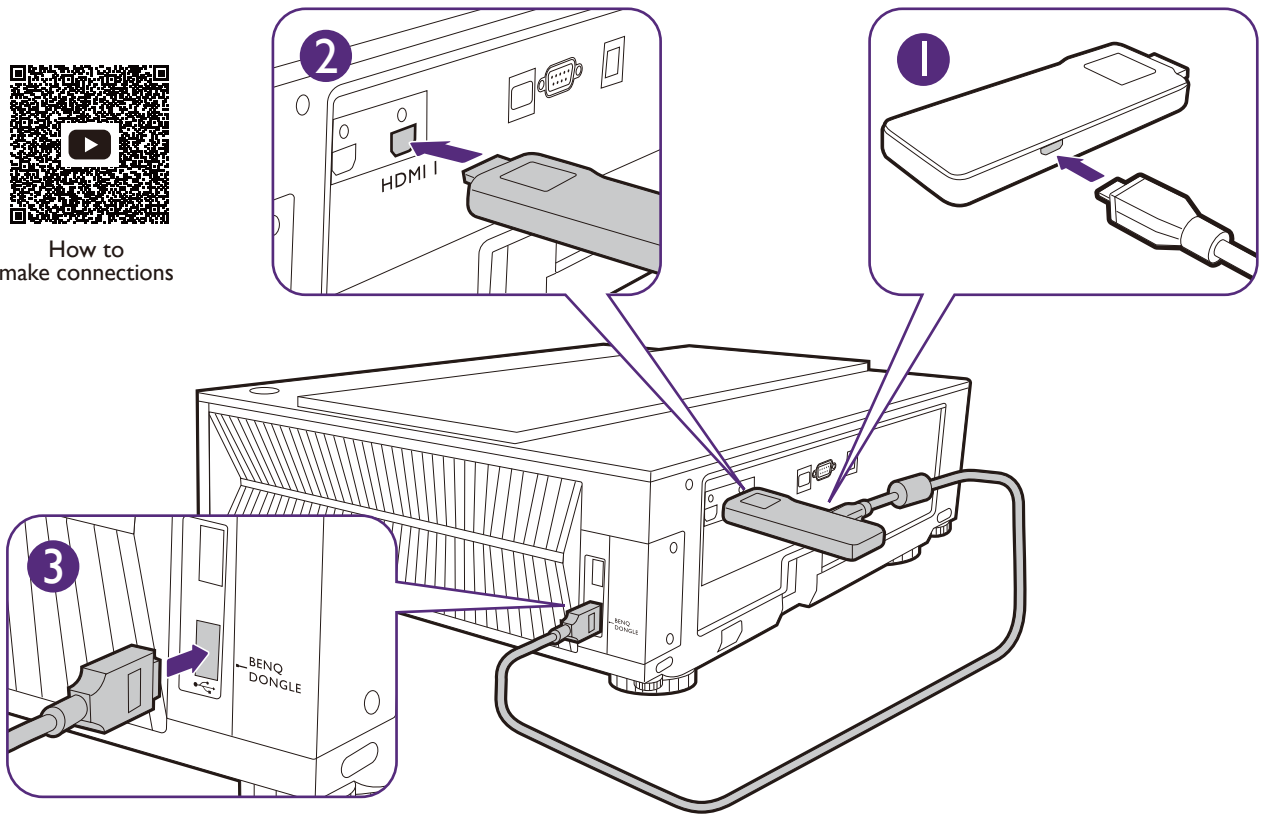
2 Install batteries to dongle's remote control.



3 Connect ATV dongle and power cord.



How to make connections



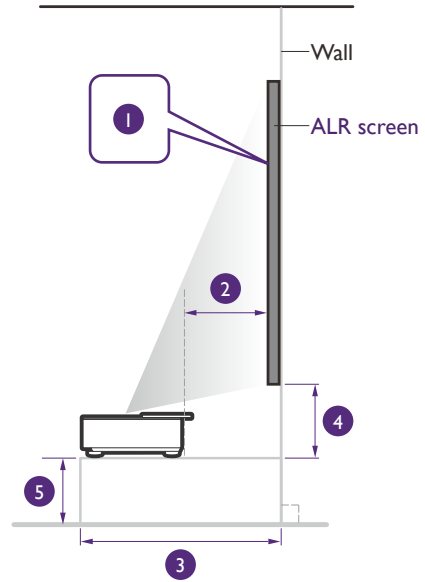
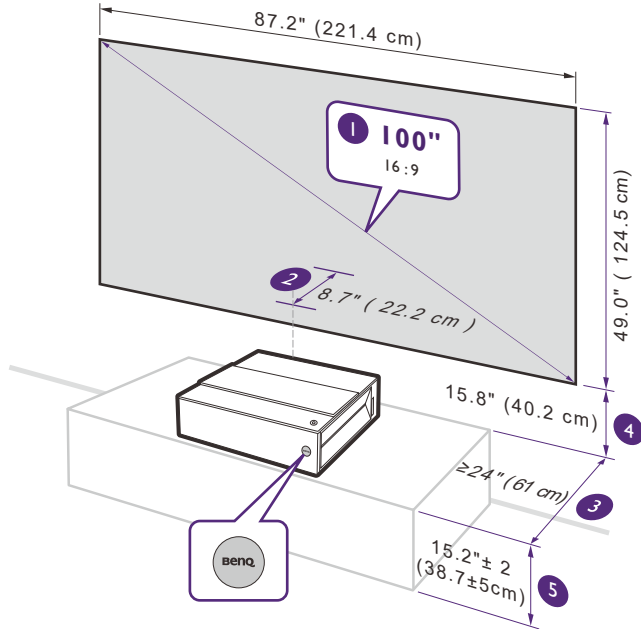
How to connect to audio systems

4 Place the projector.

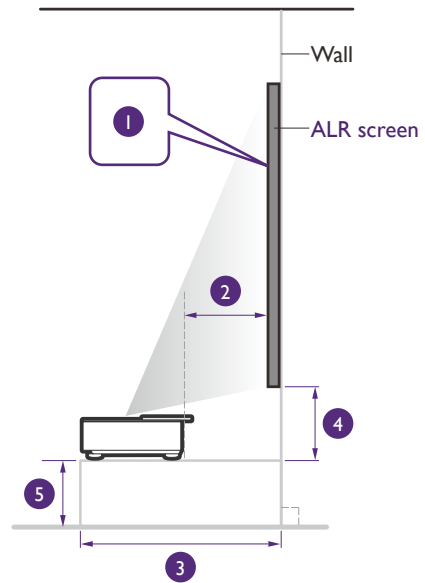
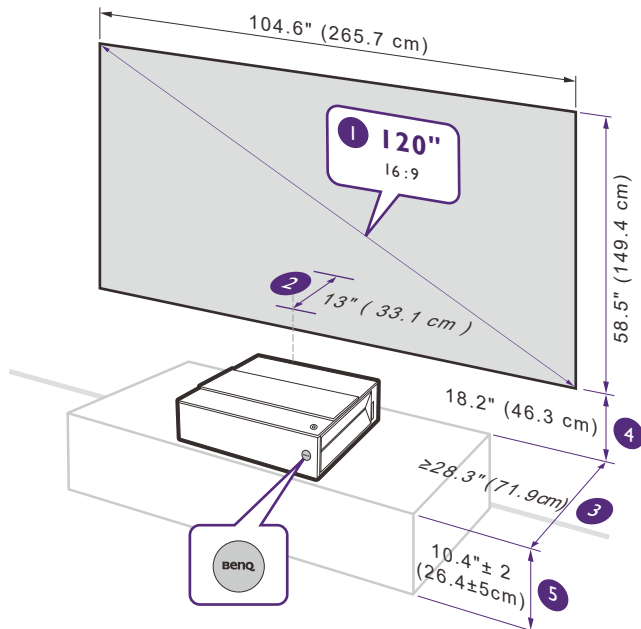


How to place the projector

100" Measurements of 100" projection screen



120" Measurements of 120" projection screen



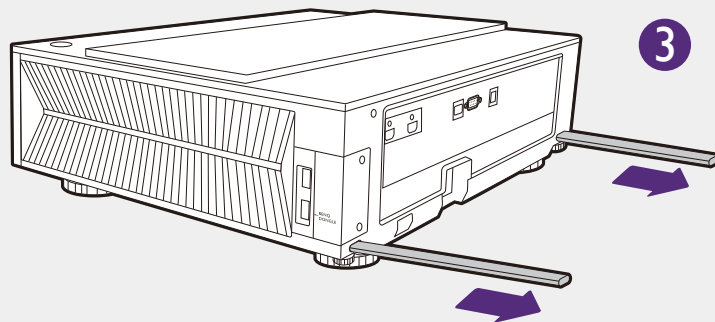
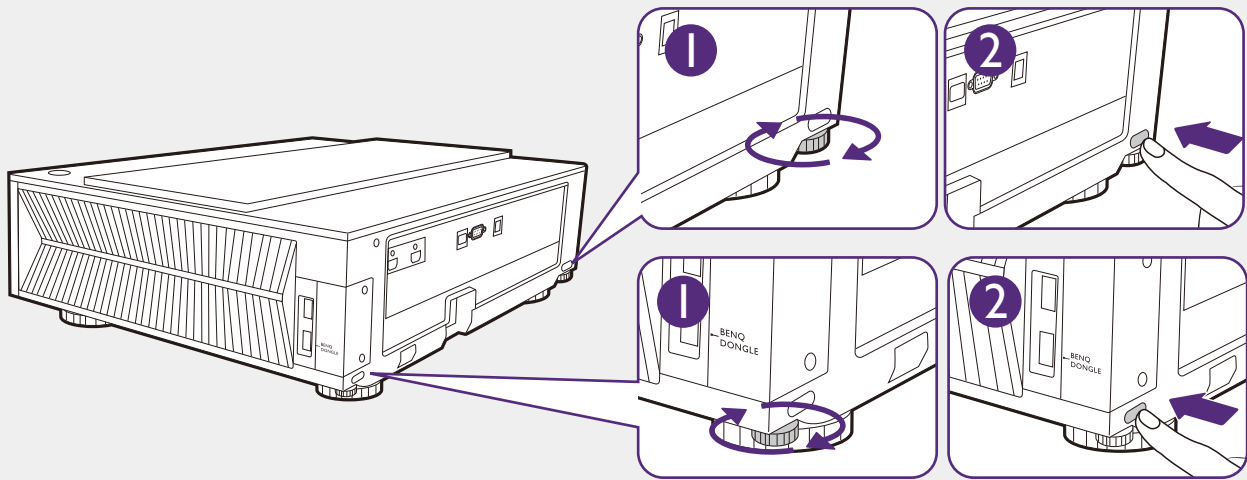
Projector dimensions: 50.0 (W) x 38.8 (L) x 15.7 (H) cm

	1	2	3	4	5
Image size & aspect ratio	Image dimensions	Projector-screen surface distance	TV shelf depth (Immobile)	Image bottom- shelf surface distance	TV shelf height (While image center at 1.4m high)

Note Values are provided for your quick installation. Fine adjustments may be required according to your needs.

Using the integrated measuring tool

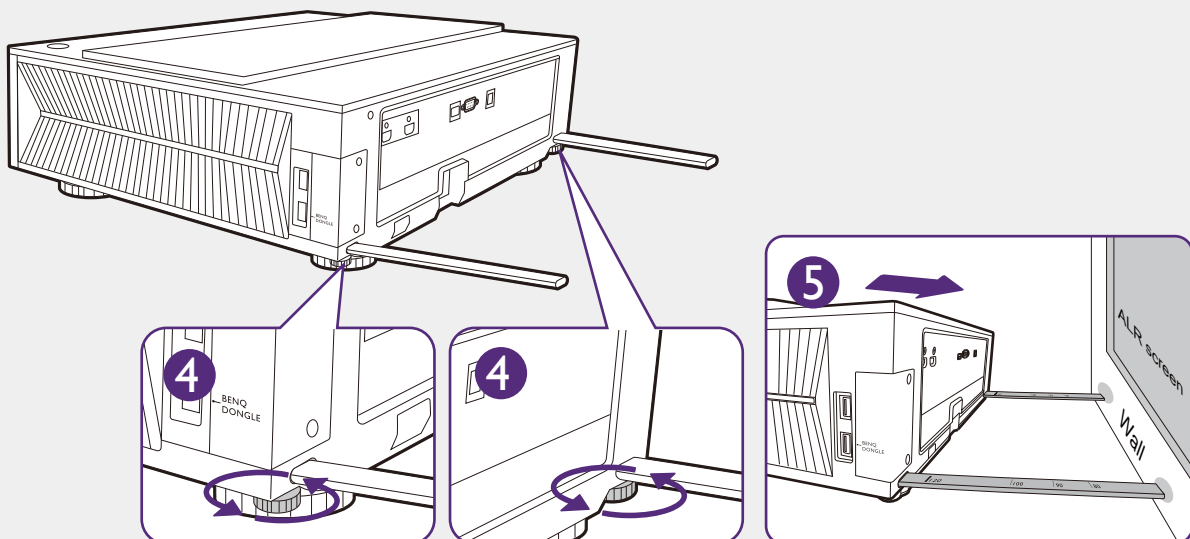
to measure distance from projector to the wall



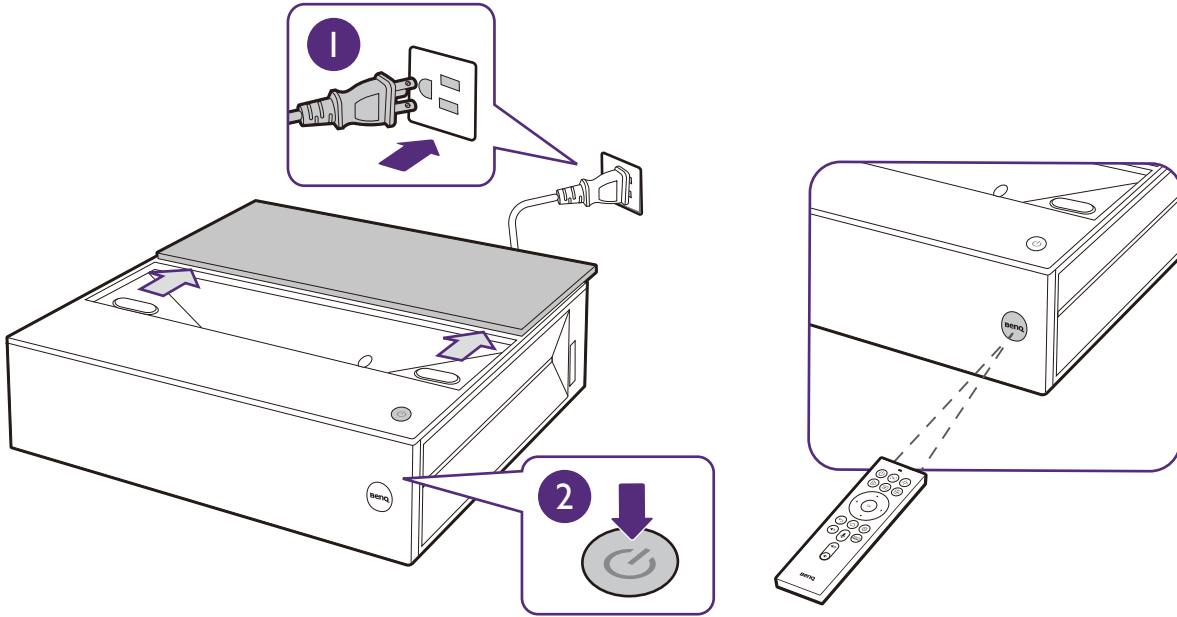
Distance to the wall



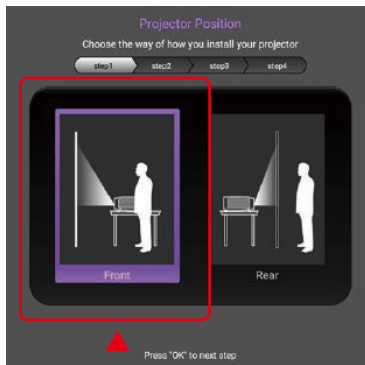
Recommended for 100" ALR screen with frame depth of 2.8 cm.



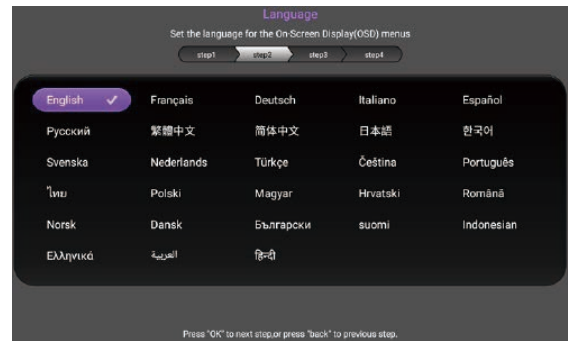
5 Power on and complete initial setup.



3



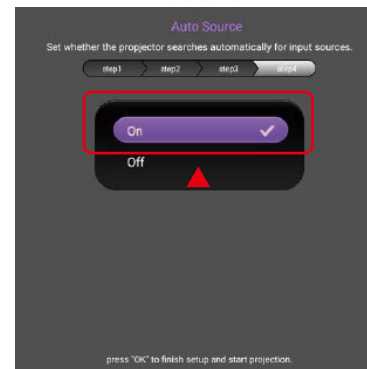
4



5

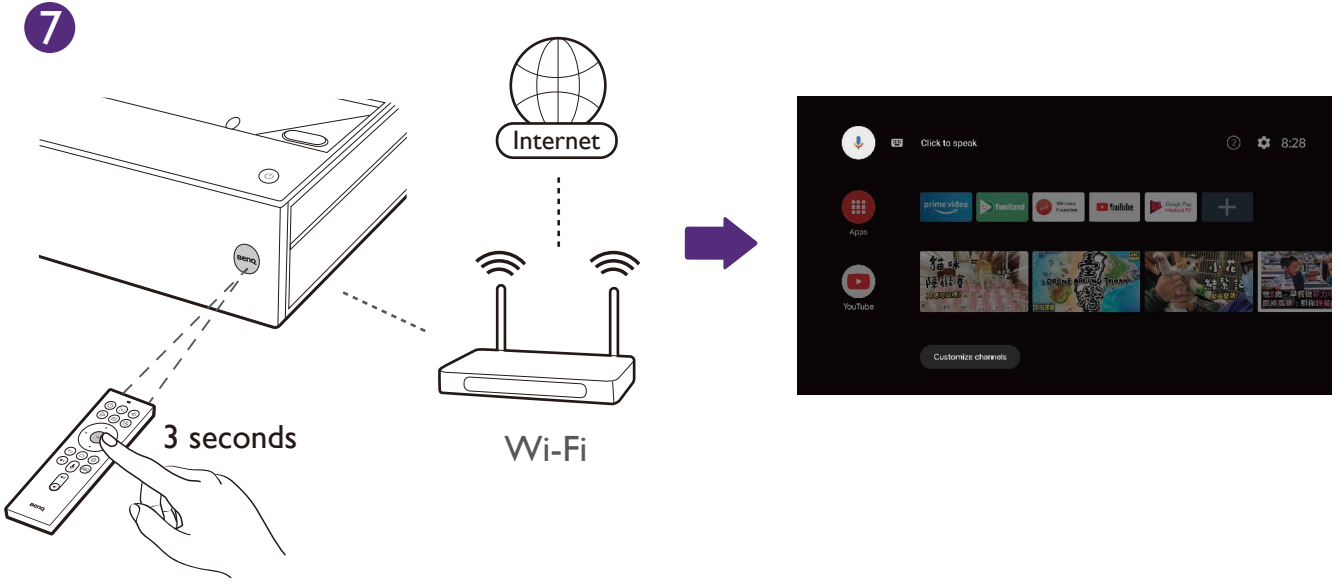


6



Press **OK** on remote control to skip.

Note See "6. Screen adjustment" on page 9 for details.

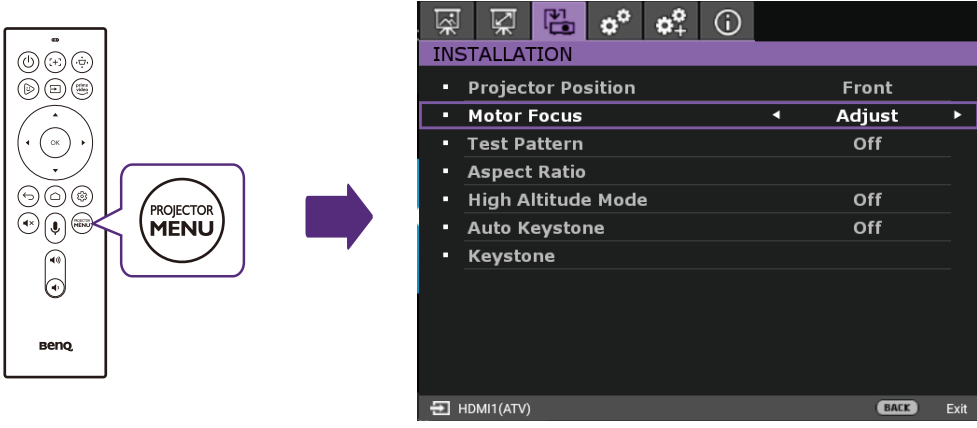


6 Screen adjustment.



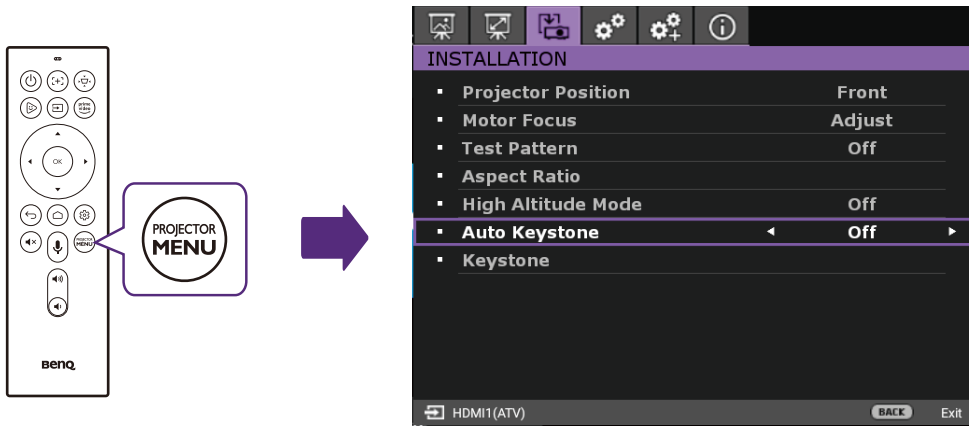
How to adjust the screen

I Focus adjustment

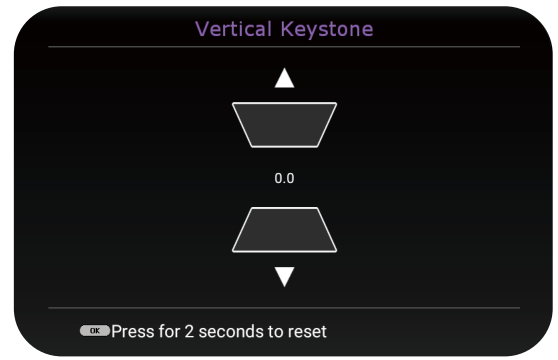
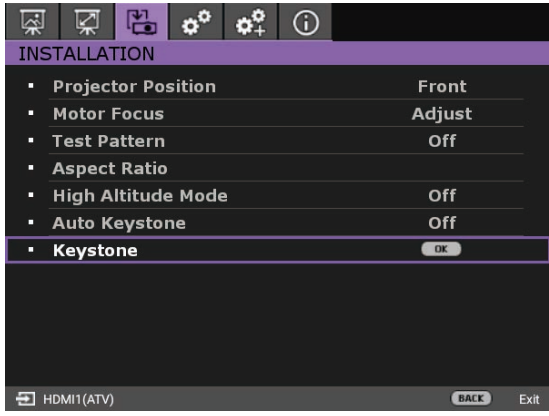


> INSTALLATION > Motor Focus > Adjust

2 Disable auto keystone

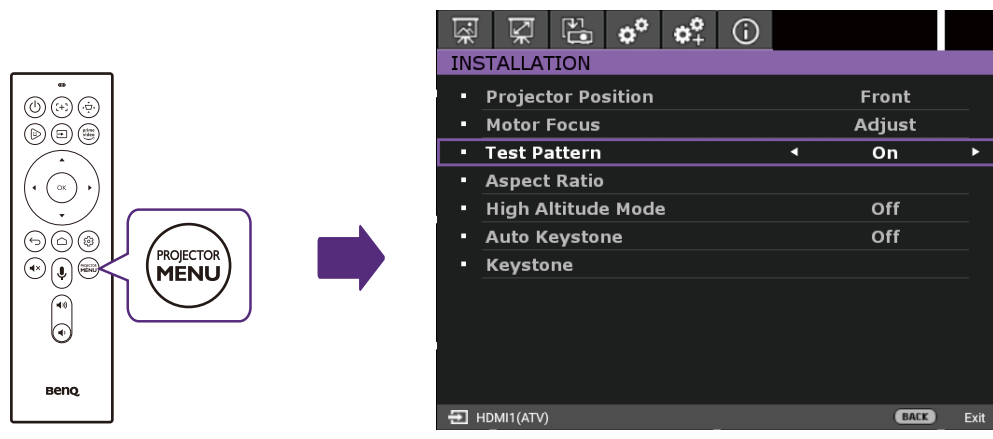


> **INSTALLATION** > **Auto Keystone** > **Off**



> **INSTALLATION** > **Keystone** > **0.0**

3 Screen edge adjustment



> **INSTALLATION** > **Test Pattern** > **On**

Image size

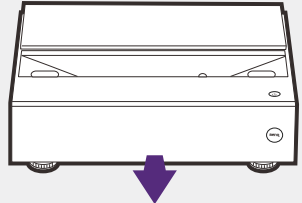
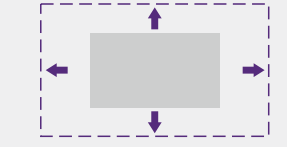
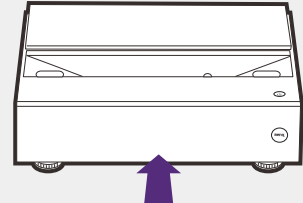
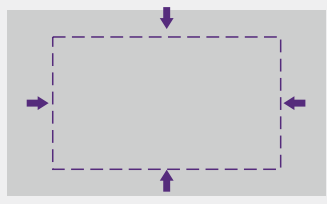
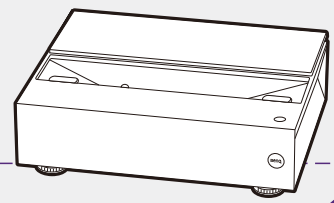
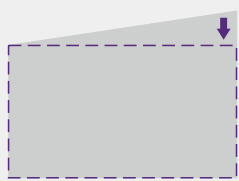
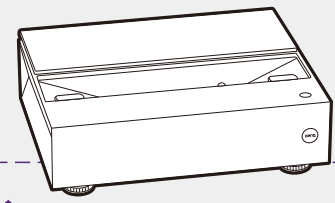
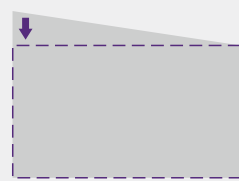
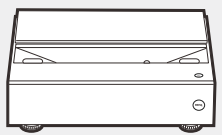
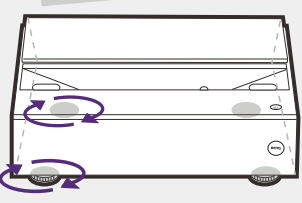
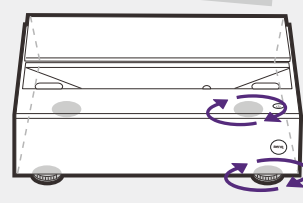
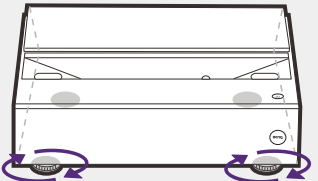
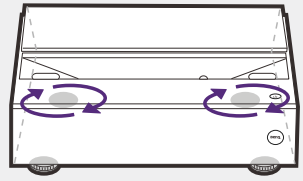


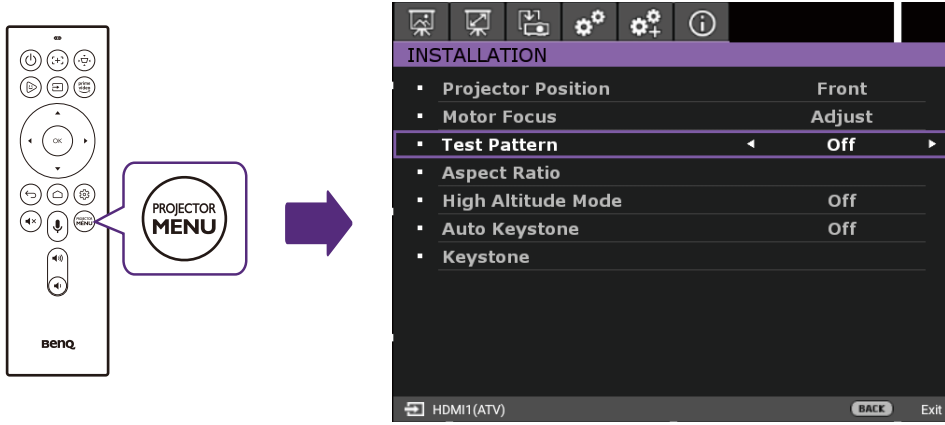
Image alignment



Keystone correction



4 Complete screen adjustment



> INSTALLATION > Test Patter > Off

7 Mark the position.

The projector placement is complete. Mark the position if possible so you can align the projector again quickly once it is moved.

