

Table of Contents

Important safety instructions	4
Notice	5
Laser notice	5
Cooling notice	5
Product information	6
Shipping contents	6
Specifications	6
Control terminals	6
Remote control	7
Installation	8
Projection dimensions	8
Adjusting the projector position	10
LED Indicators	11
Dimensions	12
Projector dimensions	12
Ceiling mount installation diagram	12
RS232 command	13
RS232 pin assignment	13
Regulatory Statements	129

Please visit below website for latest version of User Manual / Installation Guide.

<http://business-display.benq.com/>

Important safety instructions

Your projector is designed and tested to meet the latest standards for safety of information technology equipment. However, to ensure safe use of this product, it is important that you follow the instructions mentioned in the user manual / installation guide and marked on the product.

1. **Please read the user manual / installation guide before you operate your projector.** Save it for future reference.
2. **Do not look straight at the projector lens during operation.** The intense light beam may damage your eyes.
3. **Refer servicing to qualified service personnel.**
4. **Always open the lens shutter (if any) or remove the lens cap (if any) when the projector light source is on.**
5. The light source becomes extremely hot during operation.
6. In some countries, the line voltage is NOT stable. This projector is designed to operate safely within a mains voltage between 100 to 240 volts AC, but could fail if power cuts or surges of ± 10 volts occur. **In areas where the mains voltage may fluctuate or cut out, it is recommended that you connect your projector through a power stabilizer, surge protector or uninterruptible power supply (UPS).**
7. Do not block the projection lens with any objects when the projector is under operation as this could cause the objects to become heated and deformed or even cause a fire. To temporarily turn off the light source, use the blank function.
8. Do not operate light sources beyond the rated light source life.
9. Do not place this product on an unstable cart, stand, or table. The product may fall, sustaining serious damage.
10. Do not attempt to disassemble this projector. There are dangerous high voltages inside which may cause death if you should come into contact with live parts.

Under no circumstances should you ever undo or remove any other covers. Refer servicing only to suitably qualified professional service personnel.

11. Do not block the ventilation holes.
 - Do not place this projector on a blanket, bedding or any other soft surface.
 - Do not cover this projector with a cloth or any other item.
 - Do not place inflammables near the projector.

If the ventilation holes are seriously obstructed, overheating inside the projector may result in a fire.
12. Do not stand the projector on end vertically. Doing so may cause the projector to fall over, causing injury or resulting in damage to the projector.
13. Do not step on the projector or place any objects upon it. Besides probable physical damage to the projector, doing so may result in accidents and possible injury.
14. When the projector is under operation, you may sense some heated air and odor from its ventilation grill. It is a normal phenomenon and not a product defect.
15. Do not place liquids near or on the projector. Liquids spilled into the projector may cause it to fail. If the projector does become wet, disconnect it from the power supply's power outlet and call BenQ to have the projector serviced.
16. This apparatus must be earthed.
17. Do not place this projector in any of the following environments.
 - Space that is poorly ventilated or confined. Allow at least 50 cm clearance from walls and free flow of air around the projector.
 - Locations where temperatures may become excessively high, such as the inside of a car with all windows rolled up.
 - Locations where excessive humidity, dust, or cigarette smoke may contaminate optical components, shorten the projector's life span and darken the image.
 - Locations near fire alarms
 - Locations with an ambient temperature above 40°C / 104°F
 - Locations where the altitudes are higher than 3000 m (10000 feet).

Notice

Laser notice



This symbol indicates that there is a potential hazard of eye exposure to laser radiation unless the instructions are closely followed.

CLASS I LASER PRODUCT



This Laser Product is designated as Class I during all procedures of operation.

LASER LIGHT - AVOID DIRECT EYE EXPOSURE.

Do not point laser or allow laser light to be directed or reflected toward other people or reflective objects.



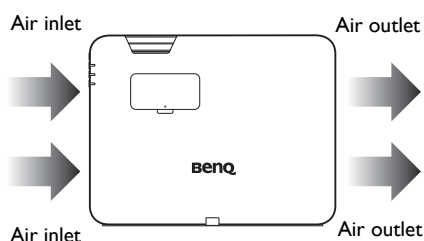
Direct or scattered light can be hazardous to eyes and skin.

There is a potential hazard of eye exposure to laser radiation if the included instructions are not followed.

Caution – use of controls or adjustments or performance of procedures other than those specified herein may result in hazardous radiation exposure.

Cooling notice

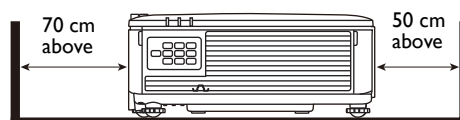
Ventilation



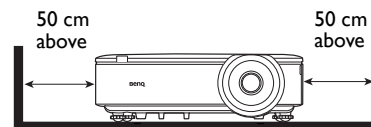
Caution for installation

For proper ventilation of the projector, make sure to leave some space around the projector as shown in the illustration below:

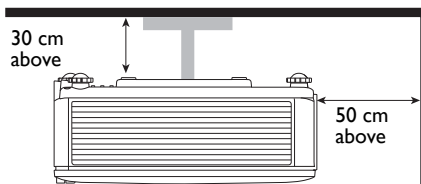
• Table



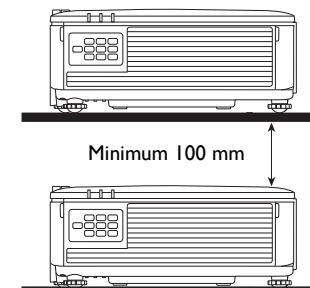
• Table



• Ceiling



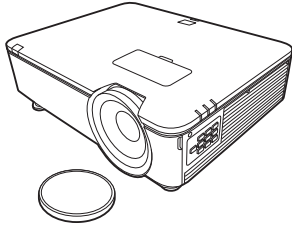
• Stacking



- Avoid using the projector in a poorly ventilated or confined space.
- The light source life may be affected if the projector is used tilted at an angle of more than ± 15 degrees.

Product information

Shipping contents



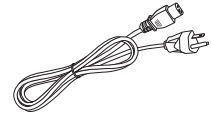
Projector



Remote control and batteries



Installation guide

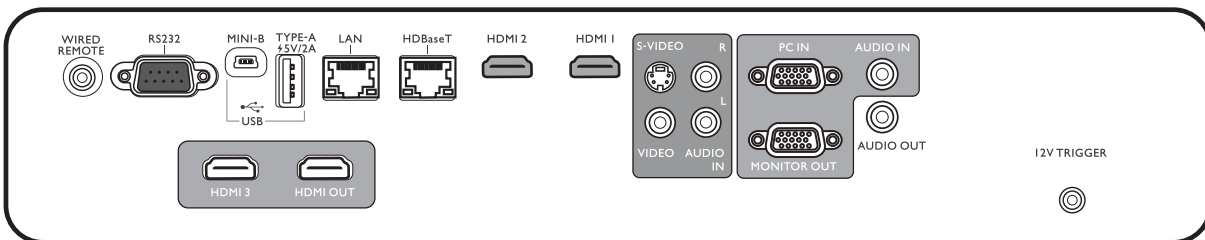


Power cord

Specifications

	LU950/LU951	LU951ST
Display system	1-CHIP DMD	
Resolution	1920 (H) x 1200 (V) WUXGA	
Light source	Laser diode	
Throw ratio	1.36 ~ 2.18	0.81 ~ 0.89
Power consumption	530 W (Max); < 0.5 W (Standby)	
Dimensions	490 mm (W) x 159 mm (H) x 380 mm (D)	
Weight	9.4 Kg (20.7 lbs)	

Control terminals



• WIRED REMOTE

For connection to a wired remote control.

• RS232

Standard 9-pin D-sub interface for connection to PC control system and projector maintenance.

• USB MINI-B

For firmware upgrade only.

• USB TYPE A

Support 5V/2A output.

• LAN

For connection to RJ45 Cat5/Cat6 Ethernet cable to control the projector through a network.

• HDBaseT

For connection to RJ45 Cat5/Cat6 cable to input uncompressed high-definition video (HD).

• HDMI 2

Connection to HDMI source.

• HDMI 1

Connection to HDMI source.

• VIDEO

Connection to composite video source.

• S-VIDEO

Connection to S-Video source.

• AUDIO IN L/R

Connection to an audio input source via an audio or audio L/R cable.

• PC IN

15-pin VGA port for connection to RGB source or PC.

• MONITOR OUT

Connection to other display equipment for concurrent playback display. (Used with **PC IN** port.)

• AUDIO IN

Connection to an audio input source via an audio cable. (Used with **PC IN** port.)

• **AUDIO OUT**

Connection to a speaker or headset.

• **12V TRIGGER**

Trigger external devices such as an electric screen or light control, etc.

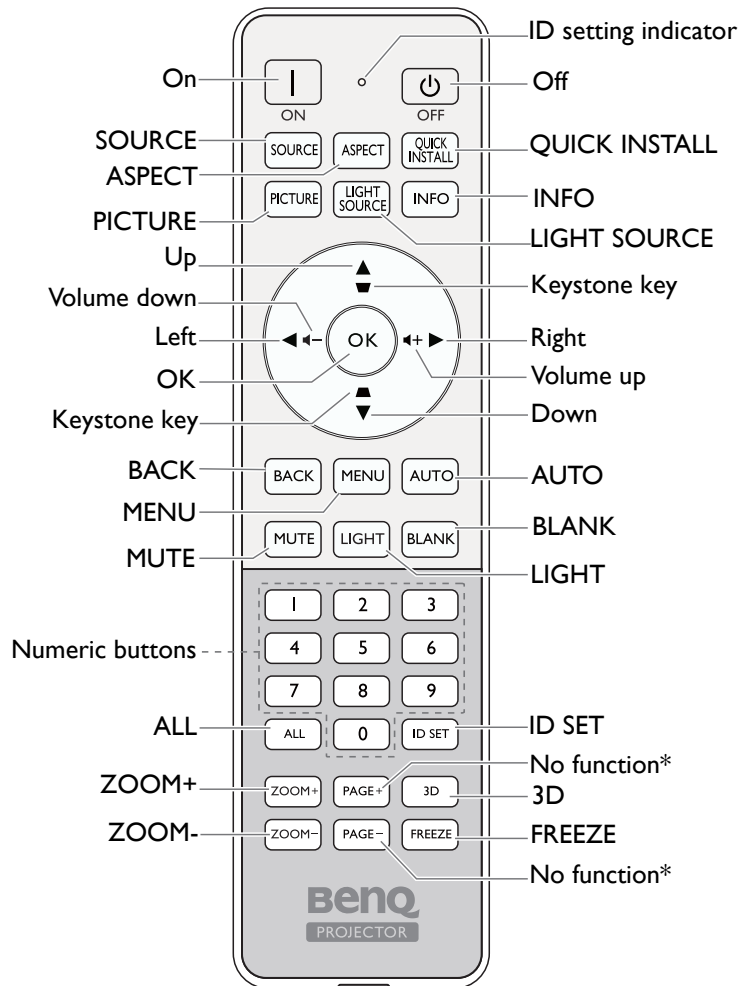
• **HDMI 3**

Connection to HDMI source.

• **HDMI OUT**

Connection to other display equipment for concurrent playback display. (Used with **HDMI 3** port.)

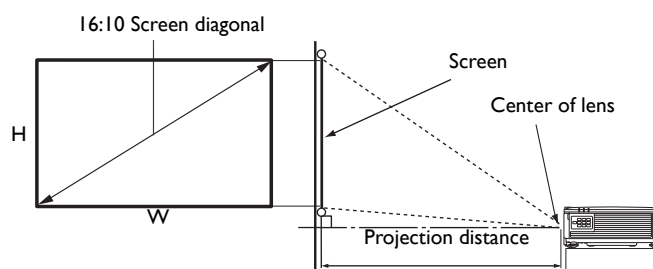
Remote control



* This button is not available for this model.

Installation

Projection dimensions



The screen aspect ratio is 16:10 and the projected picture is in a 16:10 aspect ratio

LU950/LU951

Screen size				Distance from screen (mm)		
Diagonal		W (mm)	H (mm)	Min length (max. zoom)	Average	Max length (min. zoom)
Inch	mm					
30	762	646	404	879	1144	1409
40	1016	862	538	1172	1525	1878
50	1270	1077	673	1465	1906	2348
60	1524	1292	808	1758	2287	2817
80	2032	1723	1077	2343	3050	3756
90	2286	1939	1212	2636	3431	4226
100	2540	2154	1346	2929	3812	4696
110	2794	2369	1481	3222	4194	5165
120	3048	2585	1615	3515	4575	5635
130	3302	2800	1750	3808	4956	6104
140	3556	3015	1885	4101	5337	6574
150	3810	3231	2019	4394	5719	7043
160	4064	3446	2154	4687	6100	7513
170	4318	3662	2289	4980	6481	7982
180	4572	3877	2423	5273	6862	8452
190	4826	4092	2558	5566	7244	8922
200	5080	4308	2692	5859	7625	9391
250	6350	5385	3365	7323	9531	11739
300	7620	6462	4039	8788	11437	14087

LU951ST

Screen size				Distance from screen (mm)		
Diagonal		W (mm)	H (mm)	Min length (max. zoom)	Average	Max length (min. zoom)
Inch	mm					
30	762	646	404	523	549	575
40	1016	862	538	698	732	767
50	1270	1077	673	872	915	958
60	1524	1292	808	1047	1098	1150
80	2032	1723	1077	1396	1465	1534
90	2286	1939	1212	1570	1648	1725
100	2540	2154	1346	1745	1831	1917
110	2794	2369	1481	1919	2014	2109
120	3048	2585	1615	2094	2197	2300
130	3302	2800	1750	2268	2380	2492
140	3556	3015	1885	2443	2563	2684
150	3810	3231	2019	2617	2746	2875
160	4064	3446	2154	2791	2929	3067
170	4318	3662	2289	2966	3112	3259
180	4572	3877	2423	3140	3295	3451
190	4826	4092	2558	3315	3479	3642
200	5080	4308	2692	3489	3662	3834
250	6350	5385	3365	4362	4577	4792
300	7620	6462	4039	5234	5492	5751



- To optimize your projection quality, we suggest you do the projection within non-gray area.

- All measurements are approximate and may vary from the actual sizes.

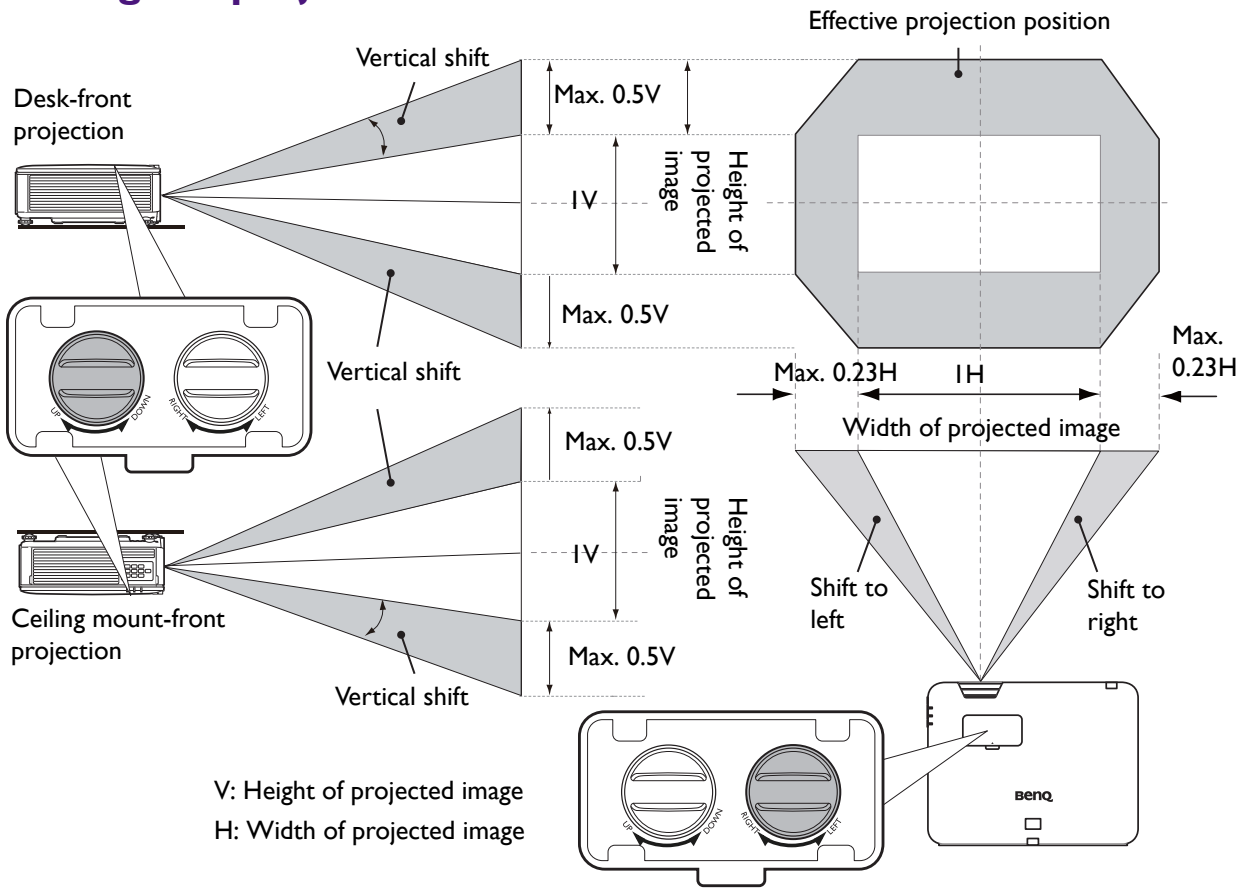
BenQ recommends that if you intend to permanently install the projector, you should physically test the projection size and distance using the actual projector in situ before you permanently install it, so as to make allowance for this projector's optical characteristics. This will help you determine the exact mounting position so that it best suits your installation location.




- Ceiling installation must be done by a qualified professional. Contact your dealer for more information. It is not recommended you install the projector yourself.
- Only use the projector on a solid, level surface. Serious injury and damage can occur if the projector is dropped.
- Do not use the projector in an environment where extreme temperature occurs. The projector must be used at temperatures between 32 degrees Fahrenheit (0 degrees Celsius) and 104 degrees Fahrenheit (40 degrees Celsius).
- Screen damage will occur if the projector is exposed to moisture, dust or smoke.
- Do not cover the vents on the projector. Proper ventilation is required to dissipate heat. Damage to the projector will occur if the vents are covered.









Adjusting the projector position

Shifting the projection lens



LED Indicators

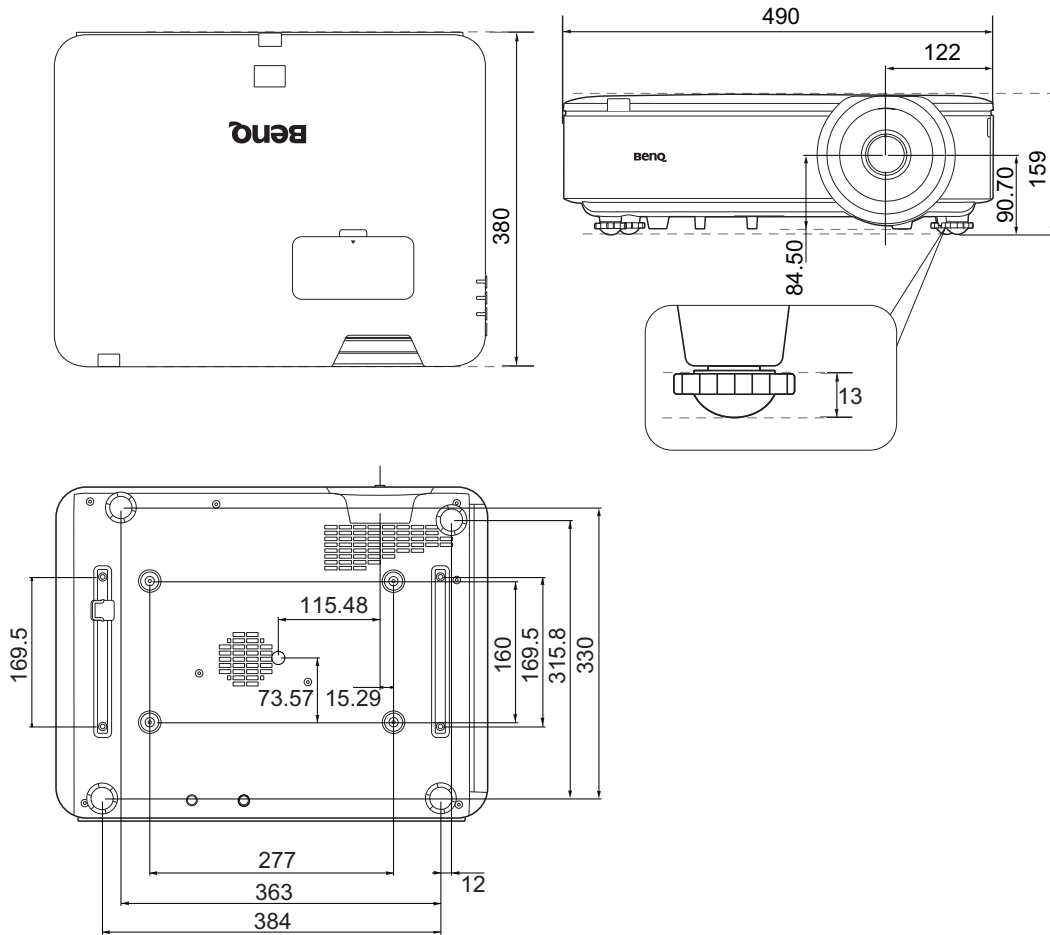
Light			Status & Description
POWER	TEMP	LIGHT	
Power events			
			Stand-by mode
			Powering up
			Normal operation
			Normal power-down cooling
			Downloading
			Color wheel start fail
			Phosphor Wheel start fail
			Burn-in ON
			Burn-in OFF
Light source events			
			Light source life exhausted
			Light source error in normal operation
			Light source is not lit up
Thermal events			
			Fan 1 error (the actual fan speed is outside the desired speed)
			Fan 2 error (the actual fan speed is outside the desired speed)
			Fan 3 error (the actual fan speed is outside the desired speed)
			Fan 4 error (the actual fan speed is outside the desired speed)
			Fan 5 error (the actual fan speed is outside the desired speed)
			Fan 6 error (the actual fan speed is outside the desired speed)
			Fan 7 error (the actual fan speed is outside the desired speed)
			Fan 8 error (the actual fan speed is outside the desired speed)
			Temperature 1 error (over limited temperature)
			Thermal Sensor 1 open error
			Thermal Sensor 1 short error
			Thermal IC #1 I2C Connection error

	 : Off	 : Orange On	 : Green On	 : Red On
		 : Orange Flashing	 : Green Flashing	 : Red Flashing

Dimensions

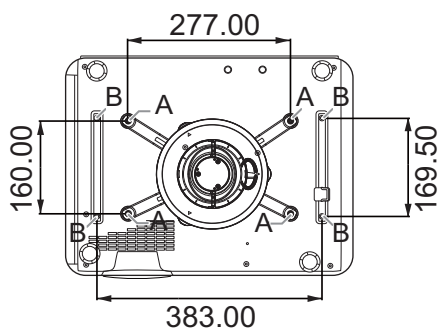
Projector dimensions

490 mm (W) x 159 mm (H) x 380 mm (D)



Unit: mm

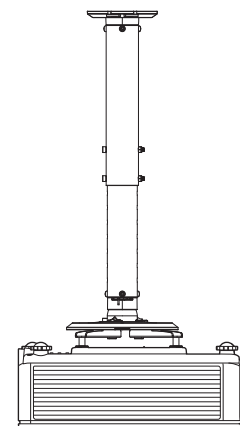
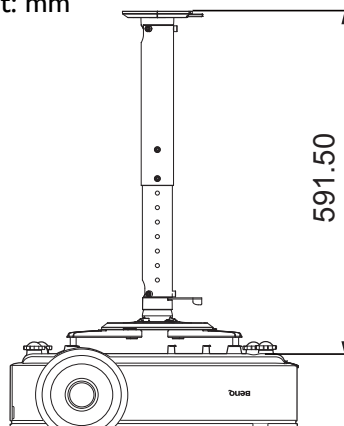
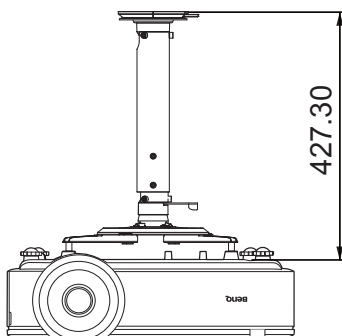
Ceiling mount installation diagram



A: BenQ ceiling mount CMG3 (5JJAM10.001)
 Ceiling mount screw: M4
 (Max. L = 25 mm; Min. L = 20 mm)

B: Third party mounting holes
 Screw: M6 (Max. L = 8 mm)

Unit: mm

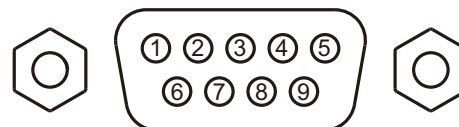


RS232 command

RS232 pin assignment

No.	Serial
1	NC
2	RX
3	TX
4	NC
5	GND

No.	Serial
6	NC
7	RTSZ
8	CTS2
9	NC



Function	Type	Operation	ASCII
Power	Write	Power On	<CR>*pow=on#<CR>
	Write	Power off	<CR>*pow=off#<CR>
	Read	Power Status	<CR>*pow=?#<CR>
Source Selection	Write	COMPUTER/YPbPr	<CR>*sour=RGB#<CR>
	Write	HDMI	<CR>*sour=hdmi#<CR>
	Write	HDMI 2	<CR>*sour=hdmi2#<CR>
	Write	HDMI 3	<CR>*sour=hdmi3#<CR>
	Write	Composite	<CR>*sour=vid#<CR>
	Write	S-Video	<CR>*sour=svid#<CR>
	Write	HDbaseT	<CR>*sour=hdbaset#<CR>
	Read	Current source	<CR>*sour=?#<CR>
Audio Control	Write	Mute On	<CR>*mute=on#<CR>
	Write	Mute Off	<CR>*mute=off#<CR>
	Read	Mute Status	<CR>*mute=?#<CR>
	Write	Volume +	<CR>*vol=+#<CR>
	Write	Volume -	<CR>*vol=-#<CR>
	Write	Volume level for customer	<CR>*vol=value#<CR>
	Read	Volume Status	<CR>*vol=?#<CR>
Audio source select	Write	Audio pass Through off	<CR>*audiosour=off#<CR>
	Write	Audio-Computer1	<CR>*audiosour=RGB#<CR>
	Write	Audio-Video/S-Video	<CR>*audiosour=vid#<CR>
	Write	Audio-HDMI	<CR>*audiosour=hdmi#<CR>
	Write	Audio-HDMI2	<CR>*audiosour=hdmi2#<CR>
	Write	Audio-HDMI3	<CR>*audiosour=hdmi3#<CR>
	Read	Audio pass Status	<CR>*audiosour=?#<CR>
Picture Mode	Write	Presentation	<CR>*appmod=preset#<CR>
	Write	sRGB	<CR>*appmod=srgb#<CR>
	Write	Bright	<CR>*appmod=bright#<CR>
	Write	DICOM	<CR>*appmod=dicom#<CR>
	Write	Vivid	<CR>*appmod=vivid#<CR>
	Write	User1	<CR>*appmod=user1#<CR>
	Write	User2	<CR>*appmod=user2#<CR>
	Write	3D	<CR>*appmod=threed#<CR>
	Read	Picture Mode	<CR>*appmod=?#<CR>

Function	Type	Operation	ASCII
Picture Setting	Write	Contrast +	<CR>*con=+#<CR>
	Write	Contrast -	<CR>*con=#<CR>
	Read	Contrast value	<CR>*con=?#<CR>
	Write	Brightness +	<CR>*bri=+#<CR>
	Write	Brightness -	<CR>*bri=#<CR>
	Read	Brightness value	<CR>*bri=?#<CR>
	Write	Color +	<CR>*color=+#<CR>
	Write	Color -	<CR>*color=#<CR>
	Read	Color value	<CR>*color=?#<CR>
	Write	Sharpness +	<CR>*sharp=+#<CR>
	Write	Sharpness -	<CR>*sharp=#<CR>
	Read	Sharpness value	<CR>*sharp=?#<CR>
	Write	Color Temperature-Warm	<CR>*ct=warm#<CR>
	Write	Color Temperature-Normal	<CR>*ct=normal#<CR>
	Write	Color Temperature-Cool	<CR>*ct=cool#<CR>
	Read	Color Temperature Status	<CR>*ct=?#<CR>
	Write	Aspect 4:3	<CR>*asp=4:3#<CR>
	Write	Aspect 16:9	<CR>*asp=16:9#<CR>
	Write	Aspect 16:10	<CR>*asp=16:10#<CR>
	Write	Aspect Auto	<CR>*asp=AUTO#<CR>
	Write	Aspect Real	<CR>*asp=REAL#<CR>
	Read	Aspect Status	<CR>*asp=?#<CR>
	Write	Digital Zoom In	<CR>*zoomI#<CR>
	Write	Digital Zoom out	<CR>*zoomO#<CR>
Write	Auto	<CR>*auto#<CR>	
Brilliant Color	Write	Brilliant color on	<CR>*BC=on#<CR>
	Write	Brilliant color off	<CR>*BC=off#<CR>
	Read	Brilliant color status	<CR>*BC=?#<CR>
Operation Settings	Write	Projector Position-Front Table	<CR>*pp=FT#<CR>
	Write	Projector Position-Rear Table	<CR>*pp=RE#<CR>
	Write	Projector Position-Rear Ceiling	<CR>*pp=RC#<CR>
	Write	Projector Position-Front Ceiling	<CR>*pp=FC#<CR>
	Write	Quick auto search	<CR>*QAS=on#<CR>
	Write	Quick auto search	<CR>*QAS=off#<CR>
	Read	Quick auto search status	<CR>*QAS=?#<CR>
	Read	Projector Position Status	<CR>*pp=?#<CR>
	Write	Direct Power On-on	<CR>*directpower=on#<CR>
	Write	Direct Power On-off	<CR>*directpower=off#<CR>
	Read	Direct Power On-Status	<CR>*directpower=?#<CR>
	Write	Signal Power On-on	<CR>*autopower=on#<CR>
	Write	Signal Power On-off	<CR>*autopower=off#<CR>
	Read	Signal Power On-Status	<CR>*autopower=?#<CR>
	Write	Standby Settings-Network on	<CR>*standbynet=on#<CR>
	Write	Standby Settings-Network off	<CR>*standbynet=off#<CR>
	Read	Standby Settings-Network Status	<CR>*standbynet=?#<CR>
	Write	Standby Settings-Monitor Out on	<CR>*standbymnt=on#<CR>
	Write	Standby Settings-Monitor Out off	<CR>*standbymnt=off#<CR>
	Read	Standby Settings-Monitor Out	<CR>*standbymnt=?#<CR>

Function	Type	Operation	ASCII
Baud Rate	Write	9600	<CR>*baud=9600#<CR>
	Write	14400	<CR>*baud=14400#<CR>
	Write	19200	<CR>*baud=19200#<CR>
	Write	38400	<CR>*baud=38400#<CR>
	Write	57600	<CR>*baud=57600#<CR>
	Write	115200	<CR>*baud=115200#<CR>
	Read	Current Baud Rate	<CR>*baud=?#<CR>
Lamp Control	Read	Lamp hour	<CR>*ltim=?#<CR>
	Write	Normal mode	<CR>*lampm=lnor#<CR>
	Write	Eco mode	<CR>*lampm=eco#<CR>
	Write	Dimming mode	<CR>*lampm=dimming#<CR>
	Write	Custom mode	<CR>*lampm=custom#<CR>
	Write	Light level for custom mode	<CR>*lampcustom=value#<CR>
	Read	Light level status for custom mode	<CR>*lampcustom=?#<CR>
Miscellaneous	Read	Lamp Mode Status	<CR>*lampm=?#<CR>
	Read	Model Name	<CR>*modelname=?#<CR>
	Write	Blank On	<CR>*blank=on#<CR>
	Write	Blank Off	<CR>*blank=off#<CR>
	Read	Blank Status	<CR>*blank=?#<CR>
	Write	Freeze On	<CR>*freeze=on#<CR>
	Write	Freeze Off	<CR>*freeze=off#<CR>
	Read	Freeze Status	<CR>*freeze=?#<CR>
	Write	Menu On	<CR>*menu=on#<CR>
	Write	Menu Off	<CR>*menu=off#<CR>
	Write	Up	<CR>*up#<CR>
	Write	Down	<CR>*down#<CR>
	Write	Right	<CR>*right#<CR>
	Write	Left	<CR>*left#<CR>
	Write	Enter	<CR>*enter#<CR>
	Write	3D Sync Off	<CR>*3d=off#<CR>
	Write	3D Auto	<CR>*3d=auto#<CR>
	Write	3D Sync Top Bottom	<CR>*3d=tb#<CR>
	Write	3D Sync Frame Sequential	<CR>*3d=fs#<CR>
	Write	3D Frame packing	<CR>*3d=fp#<CR>
	Write	3D Side by side	<CR>*3d=sbs#<CR>
	Write	3D inverter disable	<CR>*3d=da#<CR>
	Write	3D inverter	<CR>*3d=iv#<CR>
	Read	3D Sync Status	<CR>*3d=?#<CR>
	Write	Remote Receiver-front+rear	<CR>*rr=fr#<CR>
	Write	Remote Receiver-front	<CR>*rr=f#<CR>
	Write	Remote Receiver-rear	<CR>*rr=r#<CR>
	Read	Remote Receiver Status	<CR>*rr=?#<CR>
	Write	AMX Device Discovery-on	<CR>*amxdd=on#<CR>
	Write	AMX Device Discovery-off	<CR>*amxdd=off#<CR>
	Read	AMX Device Discovery Status	<CR>*amxdd=?#<CR>
	Read	Mac Address	<CR>*macaddr=?#<CR>
	Write	High Altitude mode on	<CR>*Highaltitude=on#<CR>
	Write	High Altitude mode off	<CR>*Highaltitude=off#<CR>
	Read	High Altitude mode status	<CR>*Highaltitude=?#<CR>

目錄

重要安全說明	18
注意	19
雷射注意事項	19
冷卻注意事項	19
產品資訊	20
包裝盒內容	20
規格	20
控制端子	20
遙控器	21
安裝	22
投影尺寸	22
調整投影機位置	24
LED 指示燈	25
尺寸	26
投影機尺寸	26
天花板安裝圖	26
RS232 指令	27
RS232 針腳分配	27
Regulatory Statements	129

如需最新版使用手冊 / 安裝指南，請造訪下列網站。

<http://business-display.benq.com/>

重要安全說明

本投影機經設計完成及測試通過，符合資訊科技設備的最新安全標準。然而，為確保您安全地使用本產品，請務必遵循本使用手冊 / 安裝指南的指示與產品本身所標示的指示。

1. 操作投影機之前，請先閱讀本使用手冊 / 安裝指南。請妥善保存本手冊，以供日後參考。
2. 操作時請勿直視投影機鏡頭。強光可能會造成您的視力受損。
3. 有關維修問題，請洽詢合格的維修人員。
4. 投影機的光源亮起時，請務必打開或移除鏡頭蓋（如果有的話）。
5. 操作期間光源會變得很燙。
6. 有些國家的電壓不穩定。本投影機所設計安全操作的電壓區間為 100 至 240 伏特交流電，但如果發生斷電或功率驟然起伏達 ± 10 伏特就會發生故障。如果在主電壓可能會波動或中斷的區域使用本投影機，建議您經由穩壓器、雷擊突波保護器或不斷電系統 (UPS) 連接電源。
7. 當投影機在運作中，請勿讓任何物品擋住投影的鏡頭，因為這樣可能會使得該物品遇熱變形甚至造成火災。若要暫時關閉光源，請使用空白功能。
8. 請勿使用超過額定壽命的光源。
9. 請勿將投影機放置在不平穩的手推車、架子或桌子上。否則投影機可能會掉落，造成嚴重損壞。
10. 請勿打開投影機的機殼。機身內含有危險的高電壓配件，萬一接觸人體時可能會造成電擊死亡。請勿在任何狀況下打開或移除其它部分的護蓋。有關維修問題，請洽詢合格專業的維修人員。
11. 請勿阻塞通風口。
 - 請勿將投影機放置於毯子、寢具或其它柔軟物品的表面上。
 - 請勿用布或其它物品覆蓋投影機。
 - 請勿將易燃物放在投影機附近。如果通風口嚴重阻塞而使投影機內部過熱，可能會引起火災。
12. 請勿將投影機直立擺放。因投影機可能會不穩摔落，導致人身受傷或投影機損壞。
13. 請勿踩在投影機上，或在上放置任何物品。這樣除可能導致投影機損壞外，還可能造成意外及人身受傷。
14. 當使用投影機時，您也許會在通風口附近感覺到些微的熱風與氣味。此乃正常現象，並不是產品有瑕疵。
15. 請勿將液體放在投影機附近或放在投影機上。液體如果濺到投影機內，可能導致投影機故障。投影機如果不慎弄濕，請立即拔掉電源線，並聯絡 BenQ，安排投影機的維修事宜。
16. 本裝置必須接地。
17. 請勿將本投影機放置在下列任何環境中。
 - 不通風或密閉場所。投影機離牆面至少要有 50 公分的距離，且周圍空氣要流通。
 - 過熱場所。例如：車窗緊閉的車內。
 - 潮濕、多塵或煙霧瀰漫的場所。因為可能會污染光學元件，縮短投影機的使用壽命，並使投影影像變暗。
 - 靠近火災警報器的場所。
 - 周圍溫度超過 40°C/104°F 的場所。
 - 海拔超過 3000 公尺 (10000 英尺) 的場所。

注意

雷射注意事項



此符號代表眼睛暴露於雷射輻射的潛在危險，請務必嚴格遵循指示。

1 級雷射產品



本雷射產品在運作全程屬於 1 級。

雷射光 - 避免眼睛直接暴露。

請勿朝其他人或反射物體發射或反射雷射光。

直射或散射的光線可能對眼睛和皮膚有害。

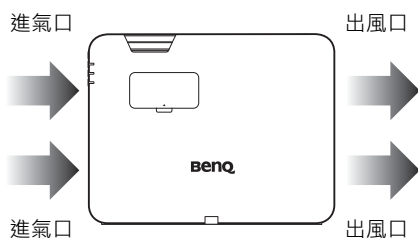


如果未遵循指示，眼睛可能暴露於雷射輻射。

警告 - 控制、調整或執行非指定的程序可能導致危險的輻射暴露。

冷卻注意事項

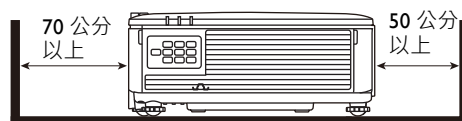
通風



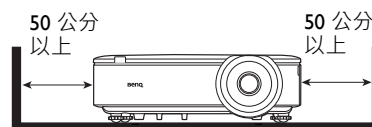
安裝注意

為使投影機達到適當的通風效果，請務必如下圖所示使投影機周圍保留一些空間：

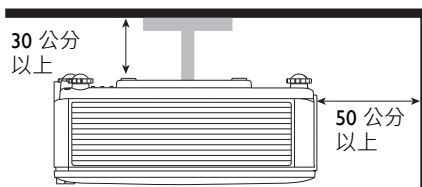
• 桌面



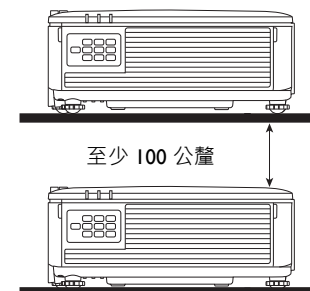
• 桌面



• 天花板



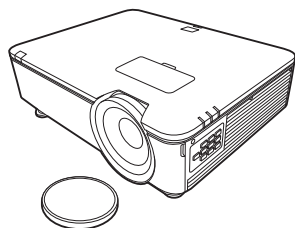
• 堆疊



- 避免在不通風或密閉場所使用。
- 使用投影機時，如果傾斜的角度超過 ± 15 度，光源壽命可能會受影響。

產品資訊

包裝盒內容



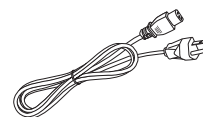
投影機



遙控器和電池



安裝指南

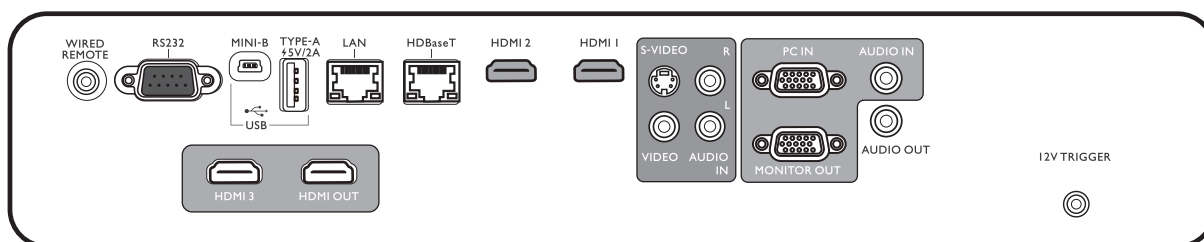


電源線

規格

	LU950/LU951	LU951ST
顯示系統	I-CHIP DMD	
解析度	1920 (H) x 1200 (V) WUXGA	
光源	雷射二極體	
投影比例	1.36 ~ 2.18	0.81 ~ 0.89
耗電量	530 瓦 (最大) ; < 0.5 瓦 (待機)	
尺寸	490 公釐 (寬) x 159 公釐 (高) x 380 公釐 (深)	
重量	9.4 公斤 (20.7 磅)	

控制端子



• WIRED REMOTE

用來連接有線遙控器。

• RS232

標準 9 針 D-sub 介面，用於連接電腦控制系統及投影機維護使用。

• USB MINI-B

僅適用於韌體升級。

• USB TYPE A

支援 5 V/2 A 輸出。

• LAN

用來連接 RJ45 Cat5/Cat6 乙太網路訊號線，以透過網路控制投影機。

• HDBaseT

用來連接 RJ45 Cat5/Cat6 訊號線，以輸入無壓縮之高解析視訊 (HD)。

• HDMI 2

連接 HDMI 信號源。

• HDMI 1

連接 HDMI 信號源。

• VIDEO

連接混合視訊來源。

• S-VIDEO

連接 S-Video 來源。

• AUDIO IN L/R

透過音訊或音訊 L/R 纜線連接音訊輸入來源。

• PC IN

15 針 VGA 埠，用於連接 RGB 或電腦。

• MONITOR OUT

連接其它顯示裝置進行同時播放。(搭配 PC IN 連接埠使用)

• AUDIO IN

透過音訊纜線連接音訊輸入來源。(搭配 **PC IN** 連接埠使用)

• AUDIO OUT

連接到喇叭或耳機。

• 12V TRIGGER

啟動外接裝置，例如電動布幕或燈光控制等。

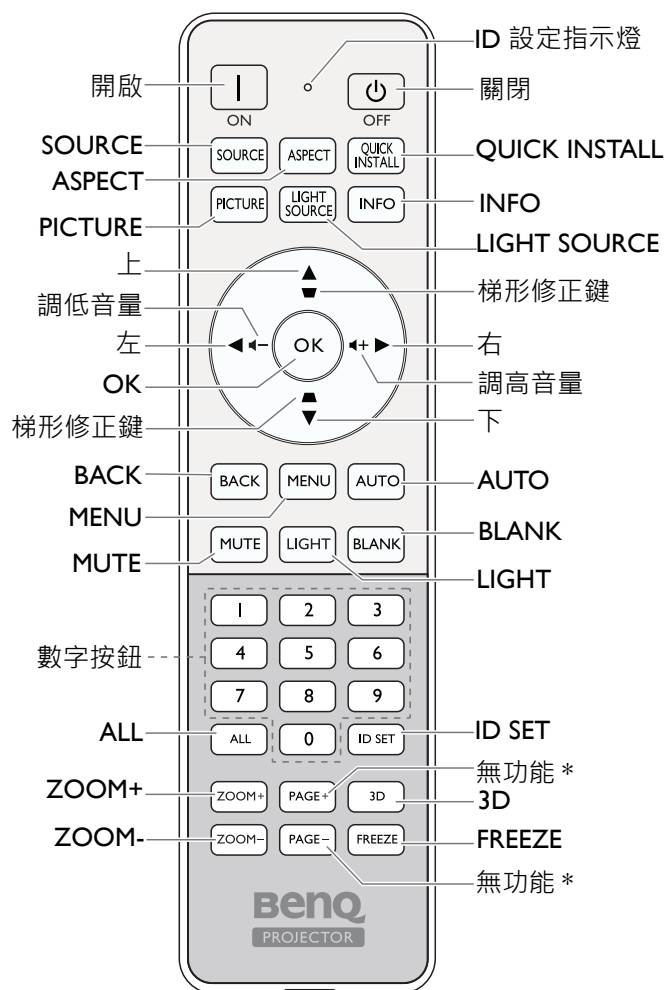
• HDMI 3

連接 HDMI 信號源。

• HDMI OUT

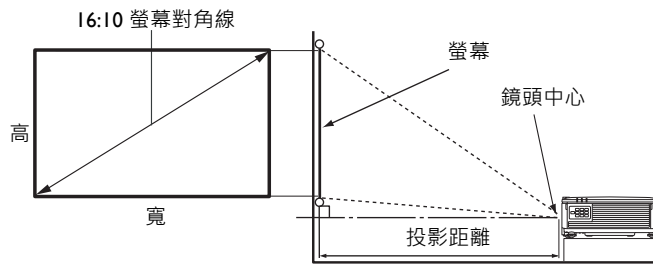
連接其它顯示裝置進行同時播放。(搭配 **HDMI 3** 連接埠使用)

遙控器



* 該按鈕在此機型中無法使用。

安裝 投影尺寸



畫面縱橫比為 16:10 · 投影影像縱橫比為 16:10

LU950/LU951

螢幕尺寸				投影距離 (公釐)		
對角線		寬 (公釐)	高 (公釐)	最小長度 (使用最大鏡頭)	平均值	最大長度 (使用最小鏡頭)
英吋	公釐					
30	762	646	404	879	1144	1409
40	1016	862	538	1172	1525	1878
50	1270	1077	673	1465	1906	2348
60	1524	1292	808	1758	2287	2817
80	2032	1723	1077	2343	3050	3756
90	2286	1939	1212	2636	3431	4226
100	2540	2154	1346	2929	3812	4696
110	2794	2369	1481	3222	4194	5165
120	3048	2585	1615	3515	4575	5635
130	3302	2800	1750	3808	4956	6104
140	3556	3015	1885	4101	5337	6574
150	3810	3231	2019	4394	5719	7043
160	4064	3446	2154	4687	6100	7513
170	4318	3662	2289	4980	6481	7982
180	4572	3877	2423	5273	6862	8452
190	4826	4092	2558	5566	7244	8922
200	5080	4308	2692	5859	7625	9391
250	6350	5385	3365	7323	9531	11739
300	7620	6462	4039	8788	11437	14087

LU951ST

螢幕尺寸				投影距離 (公釐)		
對角線		寬 (公釐)	高 (公釐)	最小長度	平均值	最大長度
英吋	公釐			(使用最大鏡頭)		(使用最小鏡頭)
30	762	646	404	523	549	575
40	1016	862	538	698	732	767
50	1270	1077	673	872	915	958
60	1524	1292	808	1047	1098	1150
80	2032	1723	1077	1396	1465	1534
90	2286	1939	1212	1570	1648	1725
100	2540	2154	1346	1745	1831	1917
110	2794	2369	1481	1919	2014	2109
120	3048	2585	1615	2094	2197	2300
130	3302	2800	1750	2268	2380	2492
140	3556	3015	1885	2443	2563	2684
150	3810	3231	2019	2617	2746	2875
160	4064	3446	2154	2791	2929	3067
170	4318	3662	2289	2966	3112	3259
180	4572	3877	2423	3140	3295	3451
190	4826	4092	2558	3315	3479	3642
200	5080	4308	2692	3489	3662	3834
250	6350	5385	3365	4362	4577	4792
300	7620	6462	4039	5234	5492	5751



• 為了達到最佳的投影品質，建議在非灰色區域內進行投影。

• 所有測量值皆為近似值，可能會與實際的大小有些許出入。

如果您要將投影機固定安裝在某個地方，BenQ 建議您先使用這台投影機作實地測試，確認其投影尺寸和距離，並參考其光學特性之後再做安裝。這將會幫助您找到最佳的吊掛位置。



• 天花板安裝必須由合格的專業人員進行。如需詳細資訊，請聯絡您的經銷商。不建議自行安裝投影機。

• 投影機只能在堅固、平坦的表面上使用。若投影機掉落，則可能造成嚴重傷害和損壞。

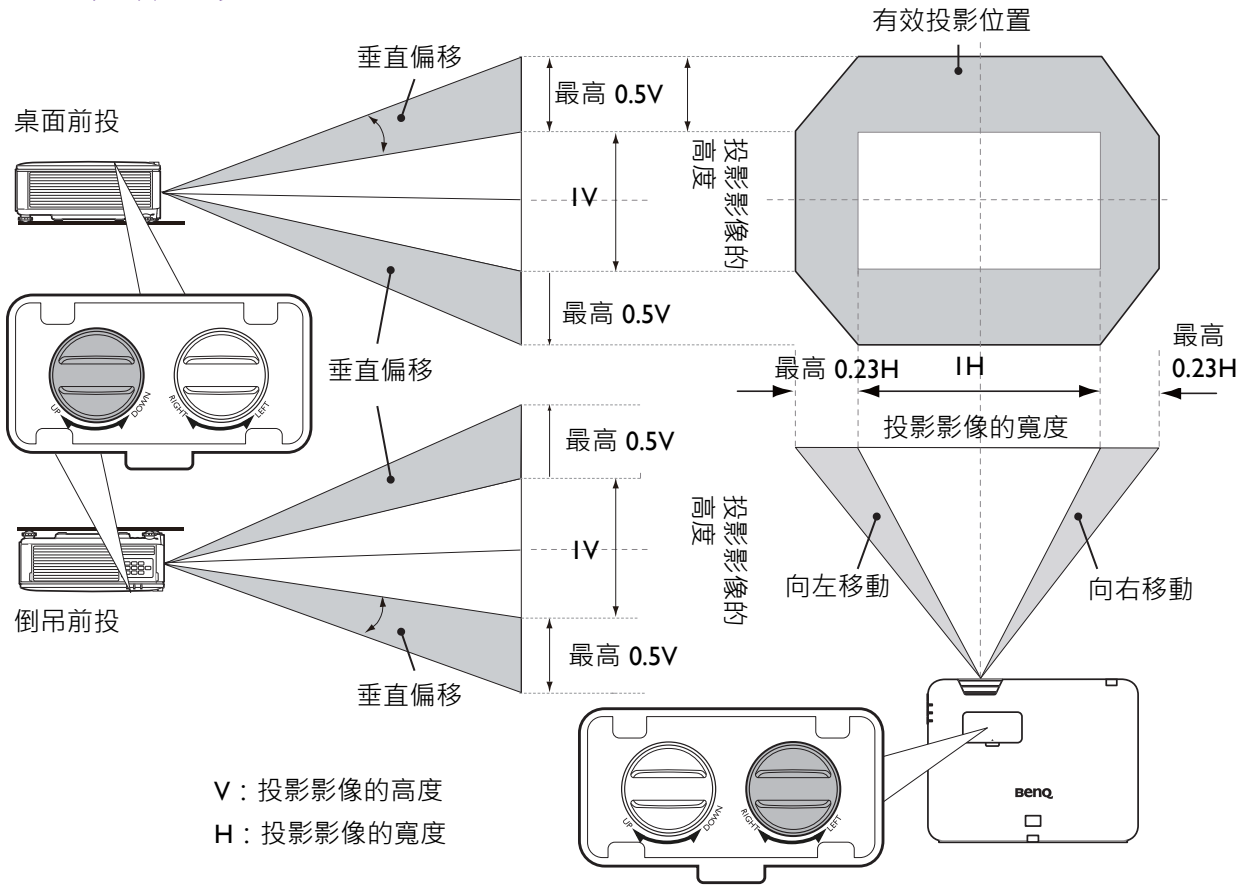
• 請勿在極熱或極冷環境中使用投影機。投影機必須在華氏 32 度 (攝氏 0 度) 至華氏 104 度 (攝氏 40 度) 之間的環境下使用。

• 若投影機處於潮濕、多塵或煙霧瀰漫的環境將會導致螢幕損壞。

• 請勿阻塞投影機的通風口。必須保持良好通風以排除熱氣。若擋住通風口將會導致投影機損壞。

調整投影機位置

投影鏡頭偏移



LED 指示燈

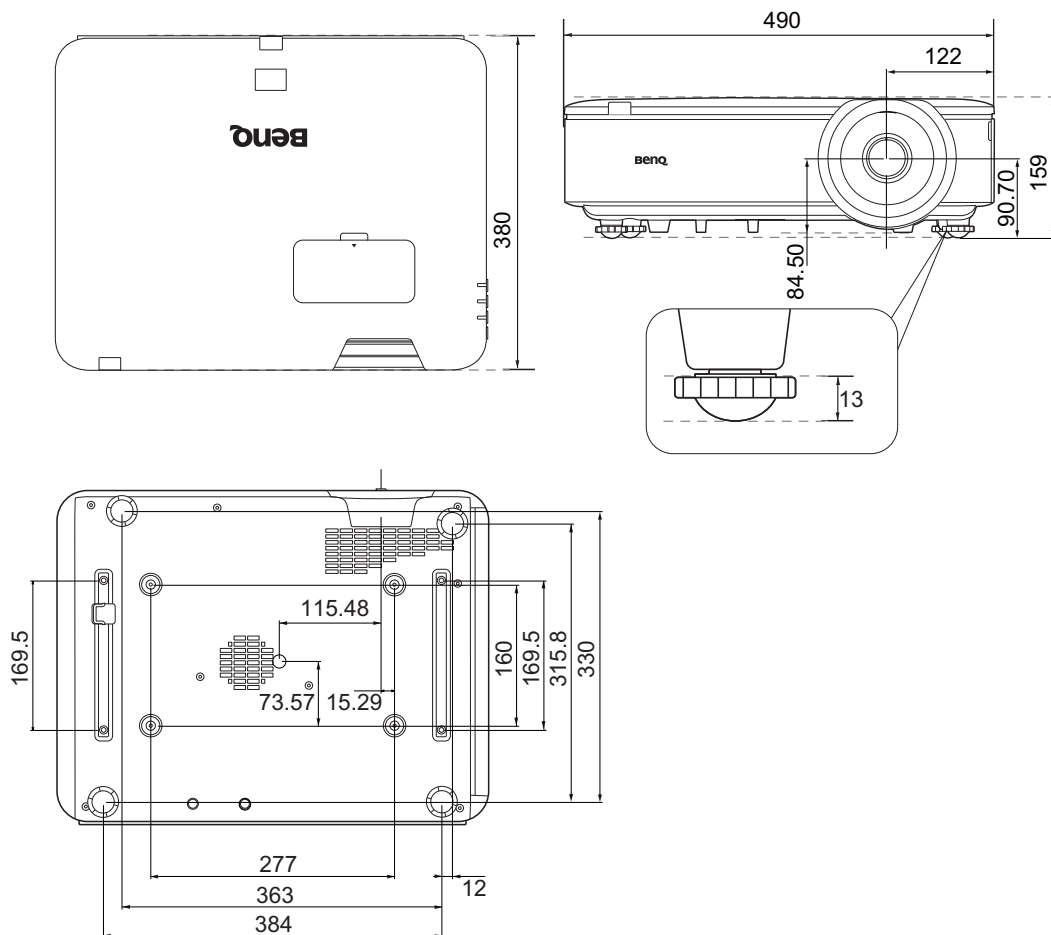
燈光			狀態與說明
POWER	TEMP	LIGHT	
電源事件			
			待機模式
			啟動電源
			正常操作
			正常關機冷卻
			正在下載
			色輪啟動失敗
			螢光輪啟動失敗
			暖機開啟
			暖機關閉
光源事件			
			光源壽命已結束
			正常操作下發生光源錯誤
			光源未亮起
溫度事件			
			風扇 1 錯誤 (實際風扇速度已超出所需速度)
			風扇 2 錯誤 (實際風扇速度已超出所需速度)
			風扇 3 錯誤 (實際風扇速度已超出所需速度)
			風扇 4 錯誤 (實際風扇速度已超出所需速度)
			風扇 5 錯誤 (實際風扇速度已超出所需速度)
			風扇 6 錯誤 (實際風扇速度已超出所需速度)
			風扇 7 錯誤 (實際風扇速度已超出所需速度)
			風扇 8 錯誤 (實際風扇速度已超出所需速度)
			溫度 1 錯誤 (超過限制溫度)
			溫度感應器 1 開啟錯誤
			溫度感應器 1 短路錯誤
			溫度 IC #1 I2C 連接錯誤

	: 關閉	: 橘燈亮起 : 橘燈閃爍	: 綠燈亮起 : 綠燈閃爍	: 紅燈亮起 : 紅燈閃爍
--	------	------------------	------------------	------------------

尺寸

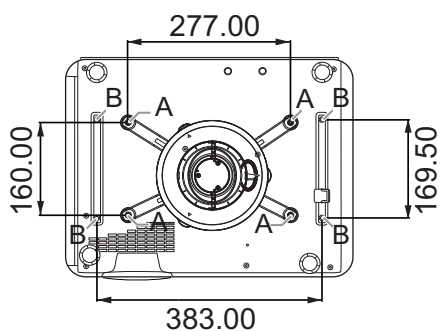
投影機尺寸

490 公釐 (寬) x 159 公釐 (高) x 380 公釐 (深)



單位：公釐

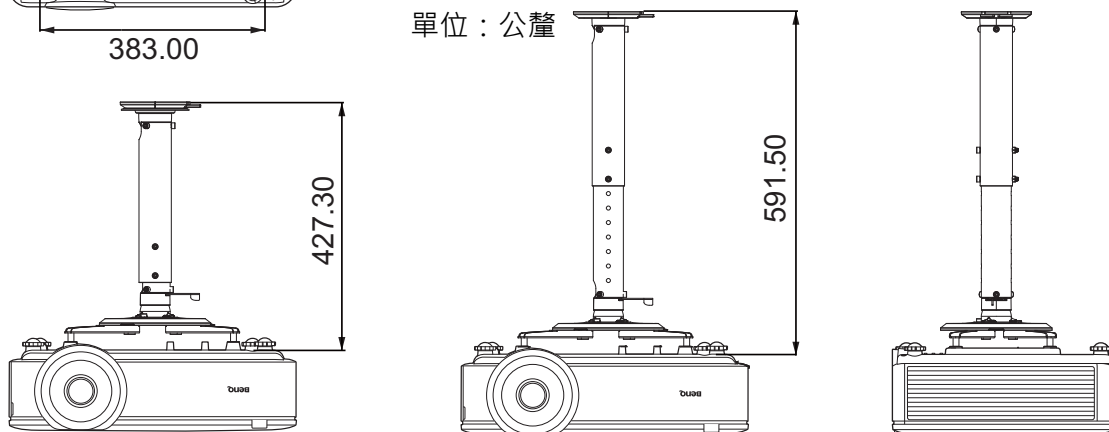
天花板安裝圖



A : BenQ 天花板安裝 CMG3 (5JAMI0.001)
 天花板安裝螺絲：M4
 (最大長度 = 25 公釐；最小長度 = 20 公釐)

B : 第三方安裝孔
 螺絲：M6 (最大長度 = 8 公釐)

單位：公釐

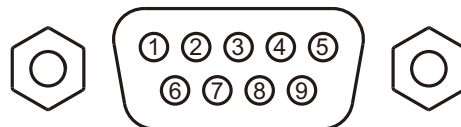


RS232 指令

RS232 針腳分配

編號	序列
1	NC
2	RX
3	TX
4	NC
5	GND

編號	序列
6	NC
7	RTSZ
8	CTSZ
9	NC



功能	類型	操作	ASCII
電源	寫入	開機	<CR>*pow=on#<CR>
	寫入	關機	<CR>*pow=off#<CR>
	讀取	電源狀態	<CR>*pow=?#<CR>
信號源選取	寫入	COMPUTER/YPbPr	<CR>*sour=RGB#<CR>
	寫入	HDMI	<CR>*sour=hdmi#<CR>
	寫入	HDMI 2	<CR>*sour=hdmi2#<CR>
	寫入	HDMI 3	<CR>*sour=hdmi3#<CR>
	寫入	混合	<CR>*sour=vid#<CR>
	寫入	S-Video	<CR>*sour=svid#<CR>
	寫入	HDbaseT	<CR>*sour=hdbaset#<CR>
	讀取	目前信號源	<CR>*sour=?#<CR>
音訊控制	寫入	靜音開啟	<CR>*mute=on#<CR>
	寫入	靜音關閉	<CR>*mute=off#<CR>
	讀取	靜音狀態	<CR>*mute=?#<CR>
	寫入	音量 +	<CR>*vol=+#<CR>
	寫入	音量 -	<CR>*vol=-#<CR>
	寫入	自訂音量	<CR>*vol=value#<CR>
	讀取	音量狀態	<CR>*vol=?#<CR>
音訊來源選取	寫入	音效傳送關閉	<CR>*audiosour=off#<CR>
	寫入	音訊 - 電腦 1	<CR>*audiosour=RGB#<CR>
	寫入	音訊 - 視訊 /S-Video	<CR>*audiosour=vid#<CR>
	寫入	音訊 - HDMI	<CR>*audiosour=hdmi#<CR>
	寫入	音訊 - HDMI2	<CR>*audiosour=hdmi2#<CR>
	寫入	音訊 - HDMI3	<CR>*audiosour=hdmi3#<CR>
	讀取	音效傳送狀態	<CR>*audiosour=?#<CR>
圖片模式	寫入	簡報	<CR>*appmod=preset#<CR>
	寫入	sRGB	<CR>*appmod=srgb#<CR>
	寫入	明亮	<CR>*appmod=bright#<CR>
	寫入	DICOM	<CR>*appmod=dicom#<CR>
	寫入	鮮豔	<CR>*appmod=vivid#<CR>
	寫入	使用者 1	<CR>*appmod=user1#<CR>
	寫入	使用者 2	<CR>*appmod=user2#<CR>
	寫入	3D	<CR>*appmod=threed#<CR>
	讀取	圖片模式	<CR>*appmod=?#<CR>

功能	類型	操作	ASCII	
圖片設定	寫入	對比 +	<CR>*con=+#<CR>	
	寫入	對比 -	<CR>*con=#<CR>	
	讀取	對比值	<CR>*con=?#<CR>	
	寫入	亮度 +	<CR>*bri=+#<CR>	
	寫入	亮度 -	<CR>*bri=#<CR>	
	讀取	亮度值	<CR>*bri=?#<CR>	
	寫入	色彩 +	<CR>*color=+#<CR>	
	寫入	色彩 -	<CR>*color=#<CR>	
	讀取	色彩值	<CR>*color=?#<CR>	
	寫入	銳利度 +	<CR>*sharp=+#<CR>	
	寫入	銳利度 -	<CR>*sharp=#<CR>	
	讀取	銳利度值	<CR>*sharp=?#<CR>	
	寫入	色溫 - 暖色調	<CR>*ct=warm#<CR>	
	寫入	色溫 - 正常	<CR>*ct=normal#<CR>	
	寫入	色溫 - 冷色調	<CR>*ct=cool#<CR>	
	讀取	色溫狀態	<CR>*ct=?#<CR>	
	寫入	4:3 縱橫比	<CR>*asp=4:3#<CR>	
	寫入	16:9 縱橫比	<CR>*asp=16:9#<CR>	
	寫入	16:10 縱橫比	<CR>*asp=16:10#<CR>	
	寫入	自動縱橫比	<CR>*asp=AUTO#<CR>	
	寫入	真實縱橫比	<CR>*asp=REAL#<CR>	
	讀取	縱橫比狀態	<CR>*asp=?#<CR>	
	Brilliant Color	寫入	Brilliant color 開啟	<CR>*BC=on#<CR>
		寫入	Brilliant color 關閉	<CR>*BC=off#<CR>
讀取		Brilliant color 狀態	<CR>*BC=?#<CR>	
操作設定	寫入	投影機位置 - 正放前投	<CR>*pp=FT#<CR>	
	寫入	投影機位置 - 正放後投	<CR>*pp=RE#<CR>	
	寫入	投影機位置 - 倒吊後投	<CR>*pp=RC#<CR>	
	寫入	投影機位置 - 倒吊前投	<CR>*pp=FC#<CR>	
	寫入	快速自動搜尋	<CR>*QAS=on#<CR>	
	寫入	快速自動搜尋	<CR>*QAS=off#<CR>	
	讀取	快速自動搜尋狀態	<CR>*QAS=?#<CR>	
	讀取	投影機位置狀態	<CR>*pp=?#<CR>	
	寫入	開啟直接開機	<CR>*directpower=on#<CR>	
	寫入	關閉直接開機	<CR>*directpower=off#<CR>	
	讀取	直接開機狀態	<CR>*directpower=?#<CR>	
	寫入	訊號開機 - 開啟	<CR>*autopower=on#<CR>	
	寫入	訊號開機 - 關閉	<CR>*autopower=off#<CR>	
	讀取	訊號開機 - 狀態	<CR>*autopower=?#<CR>	
	寫入	待機設定 - 網路開啟	<CR>*standbynet=on#<CR>	
	寫入	待機設定 - 網路關閉	<CR>*standbynet=off#<CR>	
	讀取	待機設定 - 網路狀態	<CR>*standbynet=?#<CR>	
	寫入	待機設定 - 顯示器輸出開啟	<CR>*standbymnt=on#<CR>	
	寫入	待機設定 - 顯示器輸出關閉	<CR>*standbymnt=off#<CR>	
	讀取	待機設定 - 顯示器輸出狀態	<CR>*standbymnt=?#<CR>	

功能	類型	操作	ASCII
傳輸速率	寫入	9600	<CR>*baud=9600#<CR>
	寫入	14400	<CR>*baud=14400#<CR>
	寫入	19200	<CR>*baud=19200#<CR>
	寫入	38400	<CR>*baud=38400#<CR>
	寫入	57600	<CR>*baud=57600#<CR>
	寫入	115200	<CR>*baud=115200#<CR>
	讀取	目前傳輸速率	<CR>*baud=?#<CR>
燈泡控制	讀取	燈泡時數	<CR>*ltim=?#<CR>
	寫入	正常模式	<CR>*lampm=lnor#<CR>
	寫入	省電模式	<CR>*lampm=eco#<CR>
	寫入	調光模式	<CR>*lampm=dimming#<CR>
	寫入	自訂模式	<CR>*lampm=custom#<CR>
	寫入	自訂模式的照明亮度	<CR>*lampcustom=value#<CR>
	讀取	自訂模式的照明亮度狀態	<CR>*lampcustom=?#<CR>
	讀取	燈泡模式狀態	<CR>*lampm=?#<CR>
其它	讀取	機型	<CR>*modelname=?#<CR>
	寫入	開啟空白畫面	<CR>*blank=on#<CR>
	寫入	關閉空白畫面	<CR>*blank=off#<CR>
	讀取	空白畫面狀態	<CR>*blank=?#<CR>
	寫入	靜止開啟	<CR>*freeze=on#<CR>
	寫入	靜止關閉	<CR>*freeze=off#<CR>
	讀取	靜止狀態	<CR>*freeze=?#<CR>
	寫入	開啟功能表	<CR>*menu=on#<CR>
	寫入	關閉功能表	<CR>*menu=off#<CR>
	寫入	上	<CR>*up#<CR>
	寫入	下	<CR>*down#<CR>
	寫入	右	<CR>*right#<CR>
	寫入	左	<CR>*left#<CR>
	寫入	輸入	<CR>*enter#<CR>
	寫入	3D 同步關閉	<CR>*3d=off#<CR>
	寫入	3D 自動	<CR>*3d=auto#<CR>
	寫入	3D 同步由上至下	<CR>*3d=tb#<CR>
	寫入	3D 同步影格順序	<CR>*3d=fs#<CR>
	寫入	3D 幀封裝	<CR>*3d=fp#<CR>
	寫入	3D 左右併列	<CR>*3d=sbs#<CR>
	寫入	3D 反轉停用	<CR>*3d=da#<CR>
	寫入	3D 反轉	<CR>*3d=iv#<CR>
	讀取	3D 同步狀態	<CR>*3d=?#<CR>
	寫入	遙控器接收器 - 前 + 後	<CR>*rr=fr#<CR>
	寫入	遙控器接收器 - 前	<CR>*rr=f#<CR>
	寫入	遙控器接收器 - 後	<CR>*rr=r#<CR>
	讀取	遙控器接收器狀態	<CR>*rr=?#<CR>
	寫入	AMX 裝置搜尋 - 開啟	<CR>*amxdd=on#<CR>
	寫入	AMX 裝置搜尋 - 關閉	<CR>*amxdd=off#<CR>
	讀取	AMX 裝置搜尋狀態	<CR>*amxdd=?#<CR>
	讀取	Mac 位址	<CR>*macaddr=?#<CR>
	寫入	高海拔模式開啟	<CR>*Highaltitude=on#<CR>
	寫入	高海拔模式關閉	<CR>*Highaltitude=off#<CR>
	讀取	高海拔模式狀態	<CR>*Highaltitude=?#<CR>

目录

重要安全说明	32
注意	33
激光注意事项	33
冷却注意事项	33
产品信息	34
物品清单	34
产品规格	34
控制端子	34
遥控器	35
安装	36
投影尺寸	36
调节投影机位置	38
LED 指示灯	39
外形尺寸	40
投影机尺寸	40
吊装图解	40
RS232 命令	41
RS232 针脚分配	41
Regulatory Statements	129

请访问以下网站以获得最新版本的用户手册 / 安装指南。

<http://business-display.benq.com/>

重要安全说明

您的投影机经过设计和测试，符合最新信息技术设备的安全标准。然而，为确保安全使用本投影机，按本用户手册 / 安装指南中的说明及产品上的标记进行操作是至关重要的。

1. 请在使用投影机之前阅读本用户手册 / 安装指南。请妥善保存本使用手册以备日后参考。
2. 请勿在使用过程中直视投影机镜头。强光束可能会损害眼睛。
3. 请找专业维修人员进行维修。
4. 投影机光源开启时，请切记要打开镜头门（如有）或取下镜头盖（如有）。
5. 运作期间光源的温度极高。
6. 在某些国家，电源电压不稳定。本投影机在 100 到 240 伏的交流电源电压范围内可以正常运行，但在停电或电压波动超过 ± 10 伏时会无法正常运行。在电源电压可能波动或断电的区域，建议您通过电源稳压器、电涌保护器或不间断电源 (UPS) 来连接投影机。
7. 投影机工作时，请勿使用任何物体阻挡投影镜头，否则会造成物体过热、变形甚至起火。若要暂时关闭光源，请使用空屏功能。
8. 请勿使用超过额定光源寿命的光源。
9. 请勿将投影机置于不稳的推车、架子或桌子上。投影机可能跌落，遭受严重损坏。
10. 请勿尝试拆解本投影机。机身内部含有危险的高电压组件，万一接触人体时可能会造成电击死亡。在任何情况下，您都不可以打开或卸下其它护盖。请咨询专业技术人员进行维修。
11. 请勿堵塞通风孔。
 - 请勿将投影机放置在毯子、寝具或其它柔软的表面。
 - 请勿用布或其它物体覆盖投影机。
 - 请勿在投影机附近放置任何易燃品。如果通风口严重受阻，投影机内部过高的热度可能会引起火灾。
12. 请勿垂直竖立投影机。这样会导致投影机倾倒，造成人身伤害或投影机损坏。
13. 请勿踩踏投影机或在投影机上面放置任何物体。否则除了可能对投影机造成损坏外，还可能导致事故和人身伤害。
14. 当投影机在运行时，您可能会感觉有热气和气味从通风栅中排出。这是正常现象，并非产品缺陷。
15. 请勿在投影机附近或投影机上面放置液体。液体如果溅入投影机内，可能导致投影机故障。如果投影机已被淋湿，请将投影机电源线从墙壁插座上拔掉，然后通知 BenQ 人员维修投影机。
16. 本设备必须接地。
17. 请勿将投影机置于任何以下环境中。
 - 通风不佳或狭窄的空间。请至少离墙 50 厘米，并确保投影机周围空气流通。
 - 温度过高的地方，如窗户紧闭的汽车内。
 - 过度潮湿、有灰尘或烟雾的地方，这样会污染光学元件，缩短投影机使用寿命并使图像变暗。
 - 火警附近的地方。
 - 环境温度高于 40°C / 104°F 的地方。
 - 海拔高于 3000 米（10000 英尺）的地方。

注意

激光注意事项



本符号表示除非严格按说明操作，否则存在眼睛受激光辐射的危险。

1级激光产品



本激光产品在所有的操作程序上均为 1 级设计。

激光 - 避免眼睛直接曝露。

请勿将激光直射或反射至他人或反射性物体。

直射光或散射光对眼睛和皮肤有害。

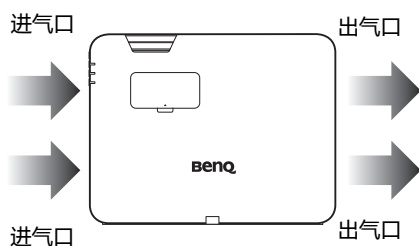


如果未按说明操作，则眼睛有受激光辐射的潜在危险。

注意 - 执行非指定程序的控制或调整可能导致有害的辐射曝露。

冷却注意事项

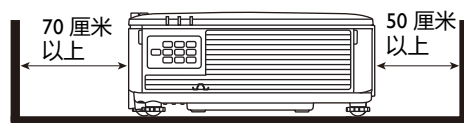
通风



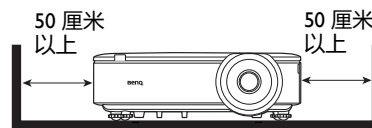
安装注意事项

要使投影机获得适当的通风，请确保在投影机周围留下适当空间，如下图所示：

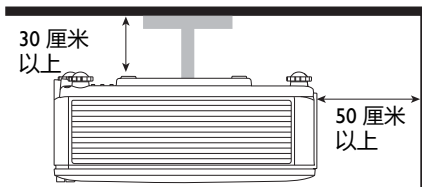
• 桌面



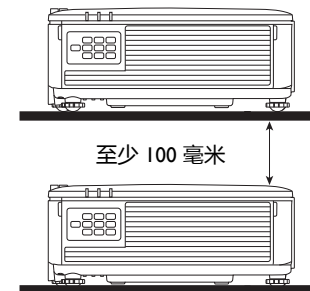
• 桌面



• 天花板



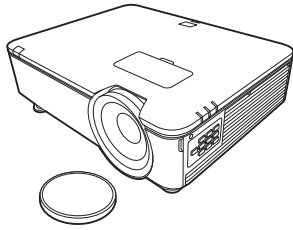
• 堆栈



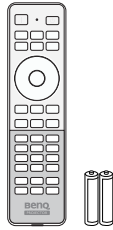
- 请避免在通风较差或狭窄的空间环境中使用投影机。
- 如果在 $\pm 15^\circ$ 的倾斜角度下使用投影机，可能会影响到光源寿命。

产品信息

物品清单



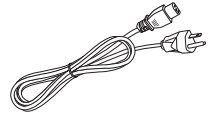
投影机



遥控器和电池



安装指南

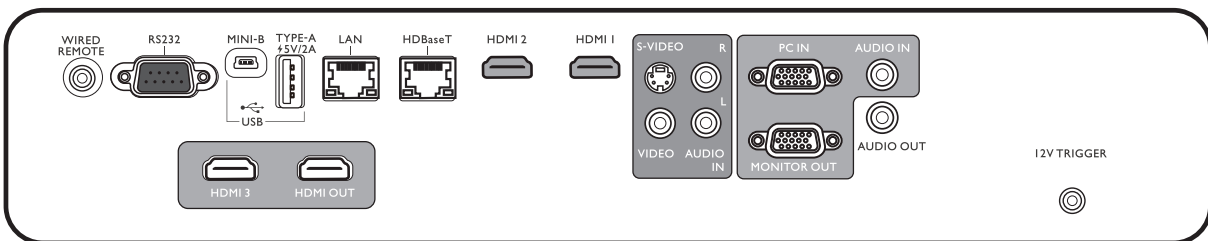


电源线

产品规格

	LU950/LU951	LU951ST
显示系统	1-CHIP DMD	
分辨率	1920 (水平) × 1200 (垂直) WUXGA	
光源	激光二极管	
投影比例	1.36 ~ 2.18	0.81 ~ 0.89
功耗	530 W (最大) ; < 0.5 W (待机)	
外形尺寸	490 毫米 (宽) × 159 毫米 (高) × 380 毫米 (厚)	
重量	9.4 公斤 (20.7 磅)	

控制端子



• WIRED REMOTE

用于连接到线控。

• RS232

标准 9 针 D-sub 接口，用于连接到电脑控制系统和投影机维护。

• USB MINI-B

仅用于固件升级。

• USB TYPE A

支持 5 V/2 A 输出。

• LAN

用于连接 RJ45 Cat5/Cat6 以太网线以通过网络控制投影机。

• HDBaseT

用于连接 RJ45 Cat5/Cat6 线以输入未压缩的高清视频 (HD)。

• HDMI 2

连接到 HDMI 信号源。

• HDMI 1

连接到 HDMI 信号源。

• VIDEO

连接到复合视频源。

• S-VIDEO

连接到 S- 视频源。

• AUDIO IN L/R

通过音频或音频左 / 右线连接到音频输入源。

• PC IN

15 针 VGA 端口，用于连接到 RGB 信号源或电脑。

• MONITOR OUT

连接到其它显示设备以同时播放显示。(配合 PC IN 端口使用。)

• **AUDIO IN**

通过音频线连接到音频输入源。(配合 **PC IN** 端口使用。)

• **AUDIO OUT**

连接到扬声器或耳机。

• **12V TRIGGER**

用于触发外接设备，如电动幕或灯光控制等。

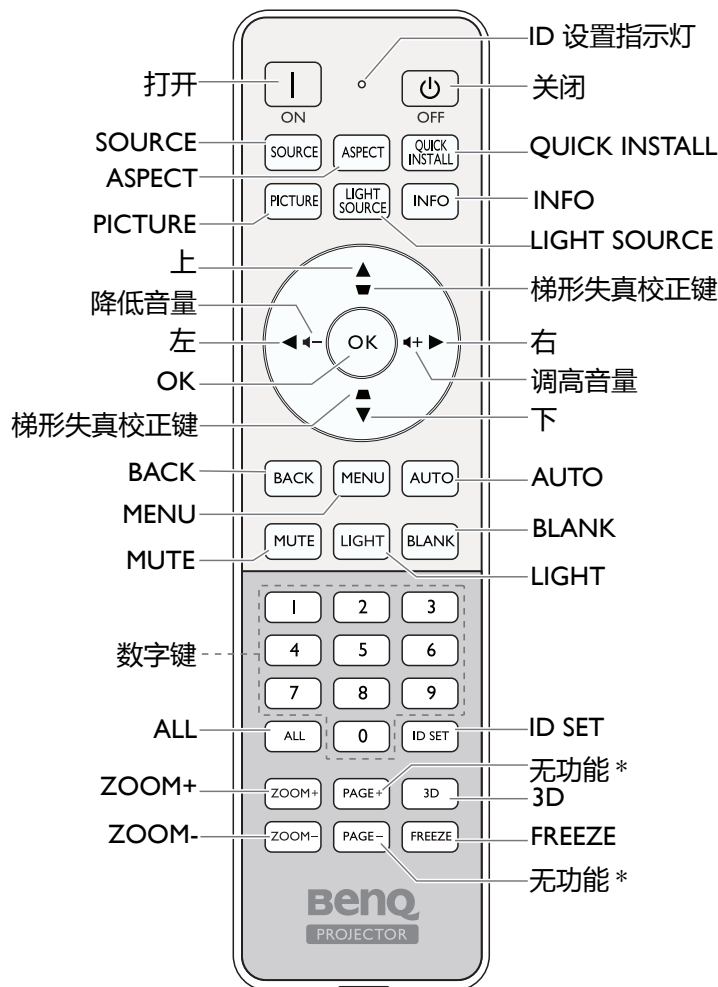
• **HDMI 3**

连接到 HDMI 信号源。

• **HDMI OUT**

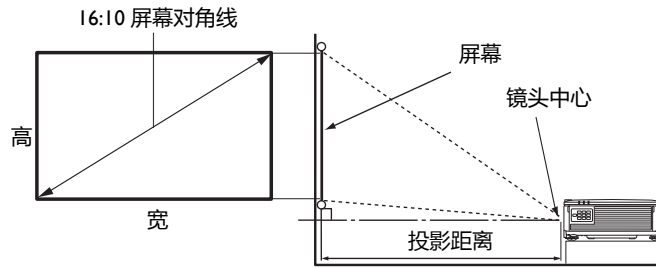
连接到其它显示设备以同时播放显示。(配合 **HDMI 3** 端口使用。)

遥控器



* 该按钮在此型号中无法使用。

安装 投影尺寸



屏幕宽高比为 16:10，投影图像宽高比为 16:10

LU950/LU951

屏幕尺寸				投影距离 (毫米)		
对角线		宽 (毫米)	高 (毫米)	最小长度 (最大缩放)	平均值	最大长度 (最小缩放)
英寸	毫米					
30	762	646	404	879	1144	1409
40	1016	862	538	1172	1525	1878
50	1270	1077	673	1465	1906	2348
60	1524	1292	808	1758	2287	2817
80	2032	1723	1077	2343	3050	3756
90	2286	1939	1212	2636	3431	4226
100	2540	2154	1346	2929	3812	4696
110	2794	2369	1481	3222	4194	5165
120	3048	2585	1615	3515	4575	5635
130	3302	2800	1750	3808	4956	6104
140	3556	3015	1885	4101	5337	6574
150	3810	3231	2019	4394	5719	7043
160	4064	3446	2154	4687	6100	7513
170	4318	3662	2289	4980	6481	7982
180	4572	3877	2423	5273	6862	8452
190	4826	4092	2558	5566	7244	8922
200	5080	4308	2692	5859	7625	9391
250	6350	5385	3365	7323	9531	11739
300	7620	6462	4039	8788	11437	14087

LU951ST						
屏幕尺寸				投影距离 (毫米)		
对角线		宽 (毫米)	高 (毫米)	最小长度 (最大缩放)	平均值	最大长度 (最小缩放)
英寸	毫米					
30	762	646	404	523	549	575
40	1016	862	538	698	732	767
50	1270	1077	673	872	915	958
60	1524	1292	808	1047	1098	1150
80	2032	1723	1077	1396	1465	1534
90	2286	1939	1212	1570	1648	1725
100	2540	2154	1346	1745	1831	1917
110	2794	2369	1481	1919	2014	2109
120	3048	2585	1615	2094	2197	2300
130	3302	2800	1750	2268	2380	2492
140	3556	3015	1885	2443	2563	2684
150	3810	3231	2019	2617	2746	2875
160	4064	3446	2154	2791	2929	3067
170	4318	3662	2289	2966	3112	3259
180	4572	3877	2423	3140	3295	3451
190	4826	4092	2558	3315	3479	3642
200	5080	4308	2692	3489	3662	3834
250	6350	5385	3365	4362	4577	4792
300	7620	6462	4039	5234	5492	5751



• 要优化投影质量，我们建议在非灰色区域中投影。

• 所有测试尺寸都是大约值，实际尺寸可能会有所不同。

BenQ 建议，如果您要将投影机固定安装在某个地方，请先使用这台投影机作实地测试，确认投影大小和距离，并参考其光学性能之后再行安装。这会帮助您找到最适合的安装位置。



• 吊装必须由合格专业人员完成。联系经销商以获得更多信息。不建议您自行安装投影机。

• 仅在稳固、水平的表面上使用投影机。如果投影机跌落，可导致严重的人身伤害并损坏设备。

• 请勿在极端温度的环境下使用投影机。投影机必须在华氏 32 度（摄氏 0 度）到华氏 104 度（摄氏 40 度）之间的环境中使用。

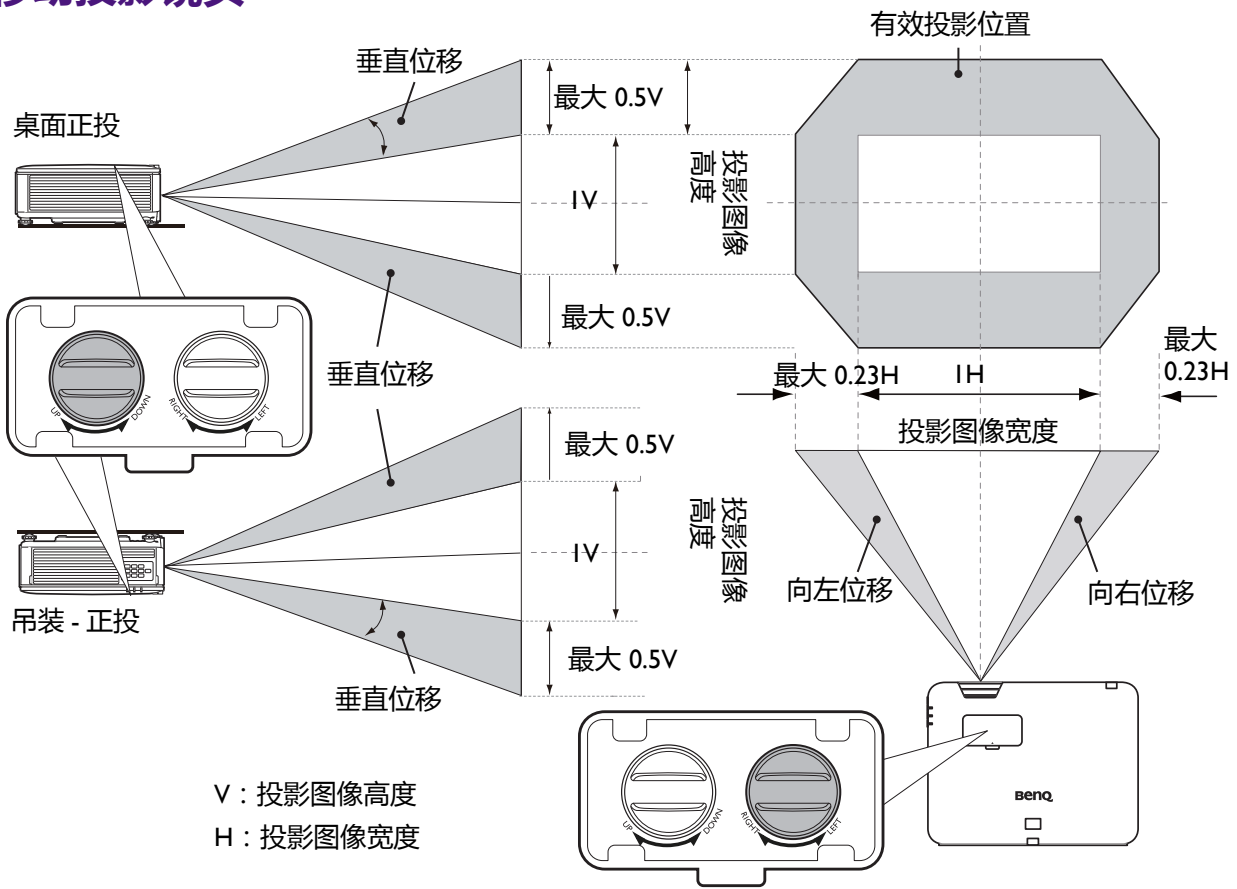
• 如果投影机暴露在潮湿、多尘或烟雾的环境下会造成屏幕损坏。

• 请勿覆盖投影机的通风口。散热需要良好的通风。如果通风口堵塞，可能损坏投影机。

调节投影机位置

移动投影镜头

简体中文



LED 指示灯

灯光			状态和说明
POWER	TEMP	LIGHT	
电源事件			
			待机模式
			打开电源
			正常工作
			正常关机冷却
			下载中
			色轮启动失败
			萤光轮启动失败
			刻录打开
			刻录关闭
光源事件			
			光源寿命耗尽
			正常操作中光源错误
			光源未点亮
热事件			
			风扇 1 错误 (实际风扇速度超出所需速度)
			风扇 2 错误 (实际风扇速度超出所需速度)
			风扇 3 错误 (实际风扇速度超出所需速度)
			风扇 4 错误 (实际风扇速度超出所需速度)
			风扇 5 错误 (实际风扇速度超出所需速度)
			风扇 6 错误 (实际风扇速度超出所需速度)
			风扇 7 错误 (实际风扇速度超出所需速度)
			风扇 8 错误 (实际风扇速度超出所需速度)
			温度 1 错误 (超出温度上限)
			热传感器 1 打开错误
			热传感器 1 短路错误
			热 IC #1 I2C 连接错误

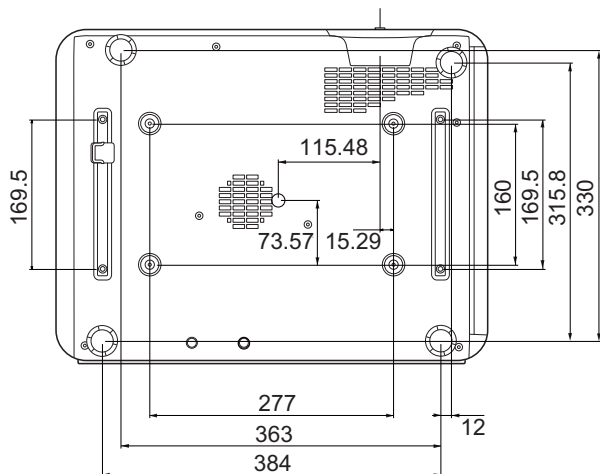
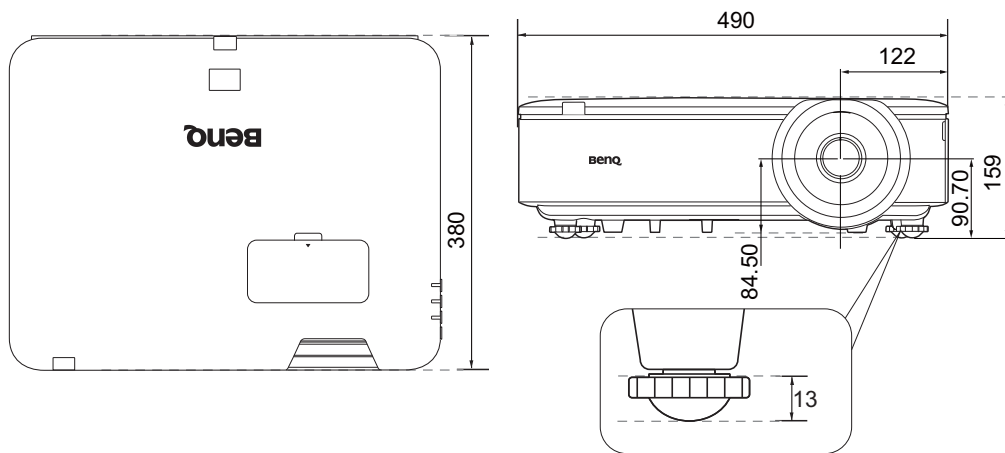
	: 关闭	: 亮橙色 : 闪橙色	: 亮绿色 : 闪绿色	: 亮红色 : 闪红色
--	------	----------------	----------------	----------------

外形尺寸

投影机尺寸

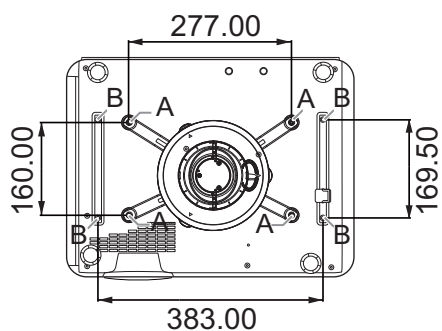
490 毫米 (宽) × 159 毫米 (高) × 380 毫米 (厚)

简体中文



单位：毫米

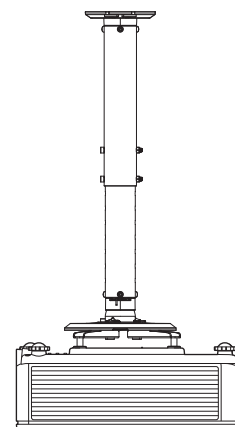
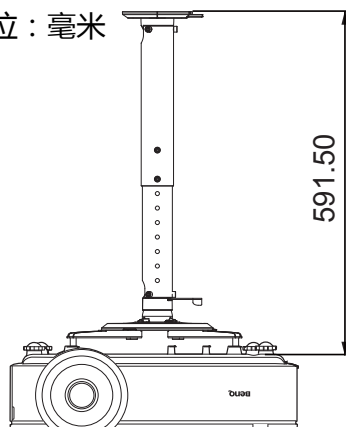
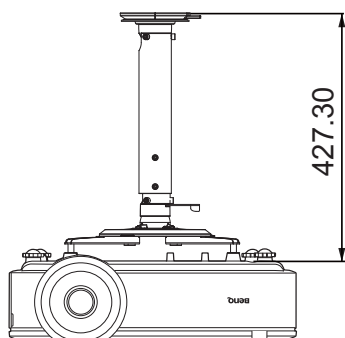
吊装图解



A : BenQ 吊装 CMG3 (5J,JAM10.001)
 吊装螺丝 : M4
 (最大长度 25 毫米 ; 最小长度 20 毫米)

B : 第三方安装孔
 螺丝 : M6 (最大长度 8 毫米)

单位：毫米

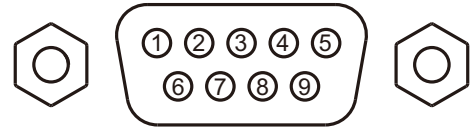


RS232 命令

RS232 针脚分配

编号	串行
1	NC
2	RX
3	TX
4	NC
5	GND

编号	串行
6	NC
7	RTSZ
8	CTS2
9	NC



功能	类型	操作	ASCII
电源	写入	电源打开	<CR>*pow=on#<CR>
	写入	电源关闭	<CR>*pow=off#<CR>
	读取	电源状态	<CR>*pow=?#<CR>
输入源选择	写入	COMPUTER/YPbPr	<CR>*sour=RGB#<CR>
	写入	HDMI	<CR>*sour=hdmi#<CR>
	写入	HDMI 2	<CR>*sour=hdmi2#<CR>
	写入	HDMI 3	<CR>*sour=hdmi3#<CR>
	写入	复合	<CR>*sour=vid#<CR>
	写入	S-Video	<CR>*sour=svid#<CR>
	写入	HDbaseT	<CR>*sour=hdbaset#<CR>
	读取	当前信号源	<CR>*sour=?#<CR>
音频控制	写入	静音打开	<CR>*mute=on#<CR>
	写入	静音关闭	<CR>*mute=off#<CR>
	读取	静音状态	<CR>*mute=?#<CR>
	写入	音量 +	<CR>*vol=+#<CR>
	写入	音量 -	<CR>*vol=-#<CR>
	写入	自定义音量	<CR>*vol=value#<CR>
	读取	音量状态	<CR>*vol=?#<CR>
音频信号源选择	写入	音频通过关闭	<CR>*audiosour=off#<CR>
	写入	音频 - 电脑 1	<CR>*audiosour=RGB#<CR>
	写入	视频 - 视频 /S-Video	<CR>*audiosour=vid#<CR>
	写入	音频 -HDMI	<CR>*audiosour=hdmi#<CR>
	写入	音频 -HDMI2	<CR>*audiosour=hdmi2#<CR>
	写入	音频 -HDMI3	<CR>*audiosour=hdmi3#<CR>
	读取	音频通过状态	<CR>*audiosour=?#<CR>
图像模式	写入	演示	<CR>*appmod=preset#<CR>
	写入	sRGB	<CR>*appmod=srgb#<CR>
	写入	明亮	<CR>*appmod=bright#<CR>
	写入	DICOM	<CR>*appmod=dicom#<CR>
	写入	生动	<CR>*appmod=vivid#<CR>
	写入	用户 1	<CR>*appmod=user1#<CR>
	写入	用户 2	<CR>*appmod=user2#<CR>
	写入	3D	<CR>*appmod=threed#<CR>
	读取	图像模式	<CR>*appmod=?#<CR>

功能	类型	操作	ASCII
图片设置	写入	对比度 +	<CR>*con=+#<CR>
	写入	对比度 -	<CR>*con=#<CR>
	读取	对比度值	<CR>*con=?#<CR>
	写入	亮度 +	<CR>*bri=+#<CR>
	写入	亮度 -	<CR>*bri=#<CR>
	读取	亮度值	<CR>*bri=?#<CR>
	写入	色彩 +	<CR>*color=+#<CR>
	写入	色彩 -	<CR>*color=#<CR>
	读取	色彩值	<CR>*color=?#<CR>
	写入	锐度 +	<CR>*sharp=+#<CR>
	写入	锐度 -	<CR>*sharp=#<CR>
	读取	锐度值	<CR>*sharp=?#<CR>
	写入	色温 - 暖色	<CR>*ct=warm#<CR>
	写入	色温 - 正常	<CR>*ct=normal#<CR>
	写入	色温 - 冷色	<CR>*ct=cool#<CR>
	读取	色温状态	<CR>*ct=?#<CR>
	写入	4:3 宽高比	<CR>*asp=4:3#<CR>
	写入	16:9 宽高比	<CR>*asp=16:9#<CR>
	写入	长宽比 16:10	<CR>*asp=16:4.54kg<CR>
	写入	自动宽高比	<CR>*asp=AUTO#<CR>
	写入	实际宽高比	<CR>*asp=REAL#<CR>
	读取	宽高比状态	<CR>*asp=?#<CR>
	写入	数码放大	<CR>*zoomI#<CR>
	写入	数码缩小	<CR>*zoomO#<CR>
写入	自动	<CR>*auto#<CR>	
Brilliant Color	写入	Brilliant Color 打开	<CR>*BC=on#<CR>
	写入	Brilliant Color 关闭	<CR>*BC=off#<CR>
	读取	Brilliant Color 状态	<CR>*BC=?#<CR>
操作设置	写入	投影机位置 - 桌上正投	<CR>*pp=FT#<CR>
	写入	投影机位置 - 桌上背投	<CR>*pp=RE#<CR>
	写入	投影机位置 - 吊装背投	<CR>*pp=RC#<CR>
	写入	投影机位置 - 吊装正投	<CR>*pp=FC#<CR>
	写入	快速自动搜索	<CR>*QAS=on#<CR>
	写入	快速自动搜索	<CR>*QAS=off#<CR>
	读取	快速自动搜索状态	<CR>*QAS=?#<CR>
	读取	投影机位置状态	<CR>*pp=?#<CR>
	写入	直接开机 - 打开	<CR>*directpower=on#<CR>
	写入	直接开机 - 关闭	<CR>*directpower=off#<CR>
	读取	直接开机 - 状态	<CR>*directpower=?#<CR>
	写入	信号开机 - 打开	<CR>*autopower=on#<CR>
	写入	信号开机 - 关闭	<CR>*autopower=off#<CR>
	读取	信号开机 - 状态	<CR>*autopower=?#<CR>
	写入	待机设置 - 网络打开	<CR>*standbynet=on#<CR>
	写入	待机设置 - 网络关闭	<CR>*standbynet=off#<CR>
	读取	待机设置 - 网络状态	<CR>*standbynet=?#<CR>
	写入	待机设置 - 显示器输出打开	<CR>*standbymnt=on#<CR>
	写入	待机设置 - 显示器输出关闭	<CR>*standbymnt=off#<CR>
	读取	待机设置 - 显示器输出状态	<CR>*standbymnt=?#<CR>

功能	类型	操作	ASCII
波特率	写入	9600	<CR>*baud=9600#<CR>
	写入	14400	<CR>*baud=14400#<CR>
	写入	19200	<CR>*baud=19200#<CR>
	写入	38400	<CR>*baud=38400#<CR>
	写入	57600	<CR>*baud=57600#<CR>
	写入	115200	<CR>*baud=115200#<CR>
	读取	当前波特率	<CR>*baud=?#<CR>
灯泡控制	读取	灯泡使用时间	<CR>*ltim=?#<CR>
	写入	正常模式	<CR>*lampm=lnor#<CR>
	写入	节能模式	<CR>*lampm=eco#<CR>
	写入	调光模式	<CR>*lampm=dimming#<CR>
	写入	自定义模式	<CR>*lampm=custom#<CR>
	写入	自定义模式的照明亮度	<CR>*lampcustom=value#<CR>
	读取	自定义模式的照明亮度状态	<CR>*lampcustom=?#<CR>
	读取	灯泡模式状态	<CR>*lampm=?#<CR>
其它	读取	型号名称	<CR>*modelname=?#<CR>
	写入	空屏打开	<CR>*blank=on#<CR>
	写入	空屏关闭	<CR>*blank=off#<CR>
	读取	空屏状态	<CR>*blank=?#<CR>
	写入	冻结打开	<CR>*freeze=on#<CR>
	写入	冻结关闭	<CR>*freeze=off#<CR>
	读取	冻结状态	<CR>*freeze=?#<CR>
	写入	菜单打开	<CR>*menu=on#<CR>
	写入	菜单关闭	<CR>*menu=off#<CR>
	写入	上	<CR>*up#<CR>
	写入	下	<CR>*down#<CR>
	写入	右	<CR>*right#<CR>
	写入	左	<CR>*left#<CR>
	写入	输入	<CR>*enter#<CR>
	写入	3D 同步关闭	<CR>*3d=off#<CR>
	写入	3D 自动	<CR>*3d=auto#<CR>
	写入	3D 同步顶部底部	<CR>*3d=tb#<CR>
	写入	3D 同步帧序列	<CR>*3d=fs#<CR>
	写入	3D 帧封装	<CR>*3d=fp#<CR>
	写入	3D 并排	<CR>*3d=sbs#<CR>
	写入	3D 反转禁用	<CR>*3d=da#<CR>
	写入	3D 反转	<CR>*3d=iv#<CR>
	读取	3D Sync 状态	<CR>*3d=?#<CR>
	写入	远程接收器 - 前 + 后	<CR>*rr=fr#<CR>
	写入	远程接收器 - 前	<CR>*rr=f#<CR>
	写入	远程接收器 - 后	<CR>*rr=r#<CR>
	读取	远程接收器 - 状态	<CR>*rr=?#<CR>
	写入	AMX 设备发现 - 打开	<CR>*amxdd=on#<CR>
	写入	AMX 设备发现 - 关闭	<CR>*amxdd=off#<CR>
	读取	AMX 设备发现状态	<CR>*amxdd=?#<CR>
	读取	Mac 地址	<CR>*macaddr=?#<CR>
	写入	高海拔模式打开	<CR>*Highaltitude=on#<CR>
	写入	高海拔模式关闭	<CR>*Highaltitude=off#<CR>
	读取	高海拔模式状态	<CR>*Highaltitude=?#<CR>

Table des matières

Consignes de sécurité importantes	46
Avis	47
Avis du laser	47
Avis de refroidissement	47
Informations du produit	48
Contenu de l'emballage	48
Caractéristiques	48
Prises de contrôle	48
Télécommande	49
Installation	50
Dimensions de projection	50
Ajuster la position du projecteur	52
Voyants LED	53
Dimensions	54
Dimensions de projection	54
Diagramme de configuration de montage au plafond	54
Commande RS232	55
Affectation de broches RS232	55
Regulatory Statements	129

Veillez visiter le site Web ci-dessous la dernière version du Manuel d'utilisation / Guide d'installation.

<http://business-display.benq.com/>

Consignes de sécurité importantes

Votre projecteur a été conçu et testé conformément aux normes de sécurité les plus récentes en matière d'équipements informatiques. Cependant, pour assurer une utilisation sans danger, il est important de suivre les instructions de le manuel d'utilisation / guide d'installation ainsi que celles apposées sur le produit.

1. **Veillez lire le manuel d'utilisation / guide d'installation avant d'utiliser l'appareil pour la première fois.**
Conservez-le pour toute consultation ultérieure.
2. **Ne regardez pas directement l'objectif de projection lorsque l'appareil est en cours d'utilisation.**
L'intensité du faisceau lumineux pourrait entraîner des lésions oculaires.
3. **Confiez les opérations d'entretien et de réparation à un technicien qualifié.**
4. **N'oubliez pas d'ouvrir l'obturateur (le cas échéant) ni de retirer le couvercle de l'objectif (le cas échéant) lorsque la source lumineuse du projecteur est allumée.**
5. La source lumineuse atteint une température très élevée lorsque l'appareil est en cours d'utilisation.
6. Dans certains pays, la tension d'alimentation n'est PAS stable. Ce projecteur est conçu pour fonctionner en toute sécurité à une tension située entre 100 et 240 volts CA. Cependant, une panne n'est pas exclue en cas de hausse ou de baisse de tension de l'ordre de ± 10 volts. **Dans les zones où l'alimentation secteur peut fluctuer ou s'interrompre, il est conseillé de relier votre projecteur à un stabilisateur de puissance, un dispositif de protection contre les surtensions ou un onduleur (UPS).**
7. Évitez de placer des objets devant l'objectif de projection lorsque le projecteur est en cours d'utilisation car ils risqueraient de se déformer en raison de la chaleur ou de provoquer un incendie. Pour éteindre temporairement la source lumineuse, utilisez la fonction vide.
8. N'utilisez pas les sources lumineuses au-delà de leur durée de vie nominale.
9. Ne posez pas cet appareil sur un chariot, un support ou une table instable. Il risquerait de tomber et d'être sérieusement endommagé.
10. N'essayez en aucun cas de démonter ce projecteur. Un courant de haute tension circule à l'intérieur de votre appareil. Tout contact avec certaines pièces peut présenter un danger de mort.
Vous ne devez en aucun cas démonter ou retirer quelque autre protection que ce soit. Ne confiez les opérations d'entretien et de réparation qu'à un technicien qualifié.
11. N'obstruez pas les orifices de ventilation.
 - Ne placez pas le projecteur sur une couverture, de la literie ou toute autre surface souple.
 - Ne recouvrez pas le projecteur avec un chiffon ni aucun autre élément.
 - Ne placez pas de produits inflammables à proximité du projecteur.Une importante obstruction des orifices de ventilation peut entraîner une surchauffe du projecteur qui risque alors de prendre feu.
12. Ne posez pas le projecteur sur le flanc. Il risque de basculer et de blesser quelqu'un ou encore de subir de sérieux dommages.
13. Ne vous appuyez pas sur le projecteur et ne placez aucun objet dessus. Une charge trop élevée risque non seulement d'endommager le projecteur, mais également d'être à l'origine d'accidents et de blessures corporelles.
14. De l'air chaud et une odeur particulière peuvent s'échapper de la grille de ventilation lorsque le projecteur est sous tension. Il s'agit d'un phénomène normal et non d'une défaillance.
15. Ne placez pas de liquides sur le projecteur, ni à proximité. Tout déversement pourrait être à l'origine d'une panne. Si le projecteur devait être mouillé, débranchez-le de la prise secteur et contactez BenQ pour une réparation.
16. Cet appareil doit être mis à la terre.
17. Évitez de placer le projecteur dans l'un des environnements ci-dessous.
 - Espace réduit ou peu ventilé. l'appareil doit être placé à une distance minimale de 50 cm des murs et l'air doit pouvoir circuler librement autour du projecteur.
 - Emplacements soumis à des températures trop élevées, par exemple dans une voiture aux vitres fermées.
 - Emplacements soumis à un taux d'humidité excessif, poussiéreux ou enfumés risquant de détériorer les composants optiques, de réduire la durée de vie de l'appareil ou d'assombrir l'image.
 - Emplacements situés à proximité d'une alarme incendie.
 - Emplacements dont la température ambiante dépasse 40°C / 104°F.
 - Emplacements où l'altitude excède 3000 mètres (10000 pieds).

Avis

Avis du laser



Ce symbole indique qu'il y a un risque potentiel d'exposition des yeux aux rayons laser, à moins que les instructions ne soient suivies de près.

PRODUIT LASER DE CLASSE I



Ce produit laser est désigné comme classe I pendant toutes les procédures de fonctionnement.

LUMIÈRE LASER - ÉVITEZ UNE EXPOSITION DIRECTE POUR LES YEUX.

Ne pointez pas le laser et ne permettez pas que la lumière laser soit dirigée ou réfléchi vers d'autres personnes ou des objets réfléchissants.



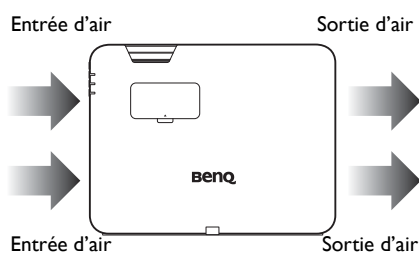
La lumière directe ou dispersée peut être dangereuse pour les yeux et la peau.

Il y a un risque potentiel d'exposition aux rayons laser si les instructions fournies ne sont pas suivies.

Attention : l'utilisation de contrôles ou d'ajustements ou l'exécution de procédures autres que celles spécifiées dans le présent document peuvent entraîner une exposition dangereuse aux rayonnements.

Avis de refroidissement

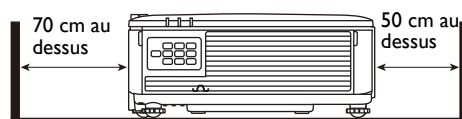
Ventilation



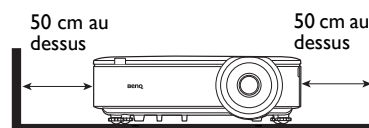
Avertissement pour l'installation

Pour une ventilation adéquate du projecteur, assurez-vous de laisser un espace autour du projecteur comme indiqué dans l'illustration ci-dessous :

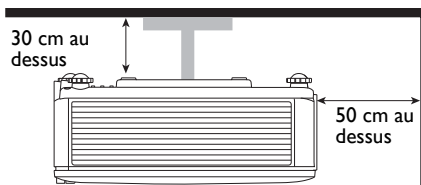
• Table



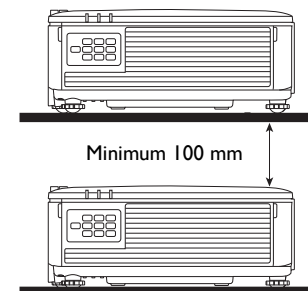
• Table



• Plafond



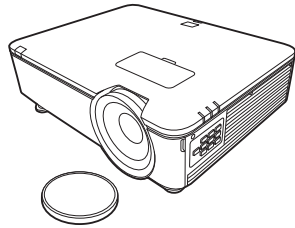
• Empilage



- Évitez d'utiliser le projecteur dans un espace mal ventilé ou confiné.
- La durée de vie de la source lumineuse peut être affectée si le projecteur est incliné à plus de ± 15 degrés.

Informations du produit

Contenu de l'emballage



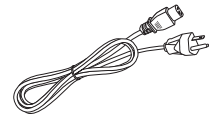
Projecteur



Télécommande et piles



Guide d'installation

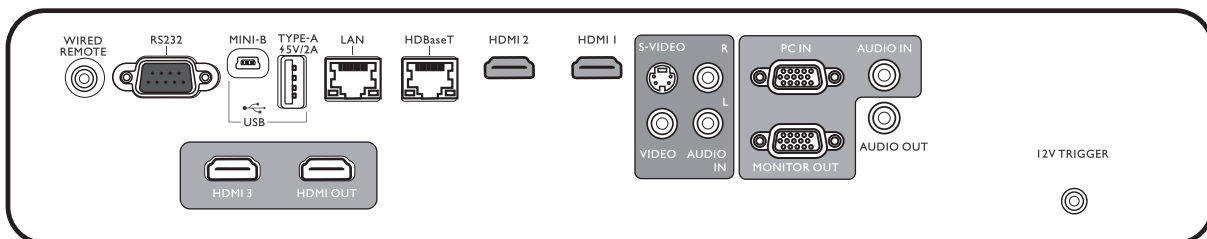


Cordon d'alimentation

Caractéristiques

	LU950/LU951	LU951ST
Système d'affichage	DMD 1 puce	
Résolution	1920 (H) x 1200 (V) WUXGA	
Source lumineuse	Diode du laser	
Rapport de projection	1,36 ~ 2,18	0,81 ~ 0,89
Consommation	530 W (max) ; < 0,5 W (veille)	
Dimensions	490 mm (L) x 159 mm (H) x 380 mm (P)	
Poids	9,4 kg (20,7 lb)	

Prises de contrôle



• WIRED REMOTE

Pour la connexion à une télécommande filaire.

• RS232

Interface D-sub standard à 9 broches pour la connexion au système de contrôle PC et à la maintenance du projecteur.

• USB MINI-B

Pour la mise à niveau du micrologiciel uniquement.

• USB TYPE A

Prend en charge la sortie 5V/2A.

• LAN

Pour la connexion d'un câble Ethernet RJ45 Cat5/Cat6 pour contrôler le projecteur via un réseau.

• HDBaseT

Pour la connexion d'un câble RJ45 Cat5/Cat6 pour l'entrée de vidéo haute définition non compressée (HD).

• HDMI 2

Connexion à une source HDMI.

• HDMI 1

Connexion à une source HDMI.

• VIDEO

Connexion à une source vidéo composite.

• S-VIDEO

Connexion à une source S-vidéo.

• AUDIO IN L/R

Connexion à une source d'entrée audio via un câble audio ou audio G/D.

• PC IN

Port VGA 15 broches pour la connexion à RVB ou un PC.

• **MONITOR OUT**

Connexion à un autre équipement d'affichage pour l'affichage simultané de la lecture. (Utilisé avec le port **PC IN.**)

• **AUDIO IN**

Connexion à une source d'entrée audio via un câble audio. (Utilisé avec le port **PC IN.**)

• **AUDIO OUT**

Connexion à un haut-parleur ou un casque.

• **12V TRIGGER**

Déclenche les appareils externes tels qu'un écran électrique ou le contrôle de l'éclairage, etc.

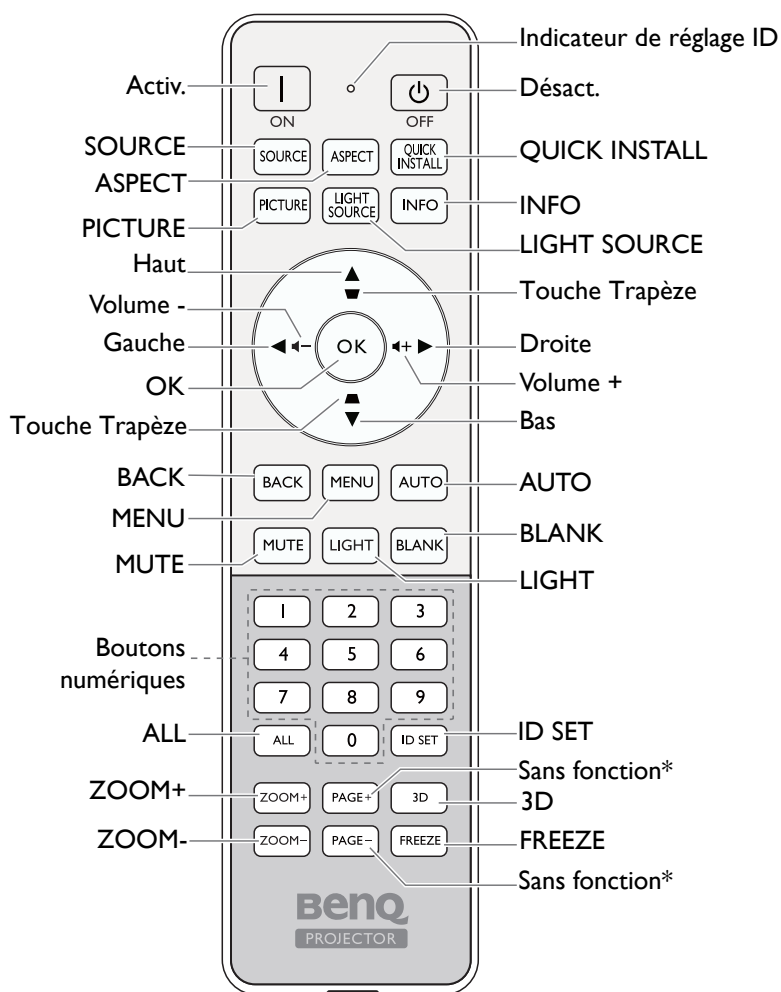
• **HDMI 3**

Connexion à une source HDMI.

• **HDMI OUT**

Connexion à un autre équipement d'affichage pour l'affichage simultané de la lecture. (Utilisé avec le port **HDMI 3.**)

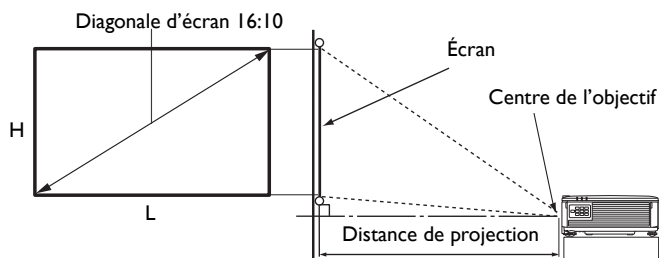
Télécommande



* Ce bouton n'est pas disponible pour ce modèle.

Installation

Dimensions de projection



Le format de l'écran est 16:10 et l'image projetée est dans un format 16:10

LU950/LU95 I

Taille d'écran				Distance de l'écran (mm)		
Diagonale		L (mm)	H (mm)	Distance min.	Moyenne	Distance max.
Pouce	mm			(zoom max.)		(zoom min.)
30	762	646	404	879	1144	1409
40	1016	862	538	1172	1525	1878
50	1270	1077	673	1465	1906	2348
60	1524	1292	808	1758	2287	2817
80	2032	1723	1077	2343	3050	3756
90	2286	1939	1212	2636	3431	4226
100	2540	2154	1346	2929	3812	4696
110	2794	2369	1481	3222	4194	5165
120	3048	2585	1615	3515	4575	5635
130	3302	2800	1750	3808	4956	6104
140	3556	3015	1885	4101	5337	6574
150	3810	3231	2019	4394	5719	7043
160	4064	3446	2154	4687	6100	7513
170	4318	3662	2289	4980	6481	7982
180	4572	3877	2423	5273	6862	8452
190	4826	4092	2558	5566	7244	8922
200	5080	4308	2692	5859	7625	9391
250	6350	5385	3365	7323	9531	11739
300	7620	6462	4039	8788	11437	14087

LU951ST						
Taille d'écran				Distance de l'écran (mm)		
Diagonale		L (mm)	H (mm)	Distance min. (zoom max.)	Moyenne	Distance max. (zoom min.)
Pouce	mm					
30	762	646	404	523	549	575
40	1016	862	538	698	732	767
50	1270	1077	673	872	915	958
60	1524	1292	808	1047	1098	1150
80	2032	1723	1077	1396	1465	1534
90	2286	1939	1212	1570	1648	1725
100	2540	2154	1346	1745	1831	1917
110	2794	2369	1481	1919	2014	2109
120	3048	2585	1615	2094	2197	2300
130	3302	2800	1750	2268	2380	2492
140	3556	3015	1885	2443	2563	2684
150	3810	3231	2019	2617	2746	2875
160	4064	3446	2154	2791	2929	3067
170	4318	3662	2289	2966	3112	3259
180	4572	3877	2423	3140	3295	3451
190	4826	4092	2558	3315	3479	3642
200	5080	4308	2692	3489	3662	3834
250	6350	5385	3365	4362	4577	4792
300	7620	6462	4039	5234	5492	5751



• Pour optimiser votre qualité de projection, nous suggérons de faire la projection dans la zone non grise.

• Toutes les mesures sont approximatives et peuvent varier des tailles réelles.

Si vous avez l'intention d'installer le projecteur de façon permanente, BenQ vous recommande de tester physiquement la taille et la distance de projection à l'emplacement précis d'installation du projecteur avant de l'installer de façon permanente, afin de prendre en compte les caractéristiques optiques de ce projecteur. Cela vous aidera à déterminer la position de montage exacte la mieux adaptée à l'emplacement de votre installation.



• L'installation au plafond doit être effectuée par un professionnel qualifié. Contactez votre revendeur pour plus d'informations. Il n'est pas recommandé d'installer le projecteur vous-même.

• Utilisez toujours le projecteur sur une surface solide et plane. Des blessures graves et des dégâts peuvent survenir si le projecteur tombe.

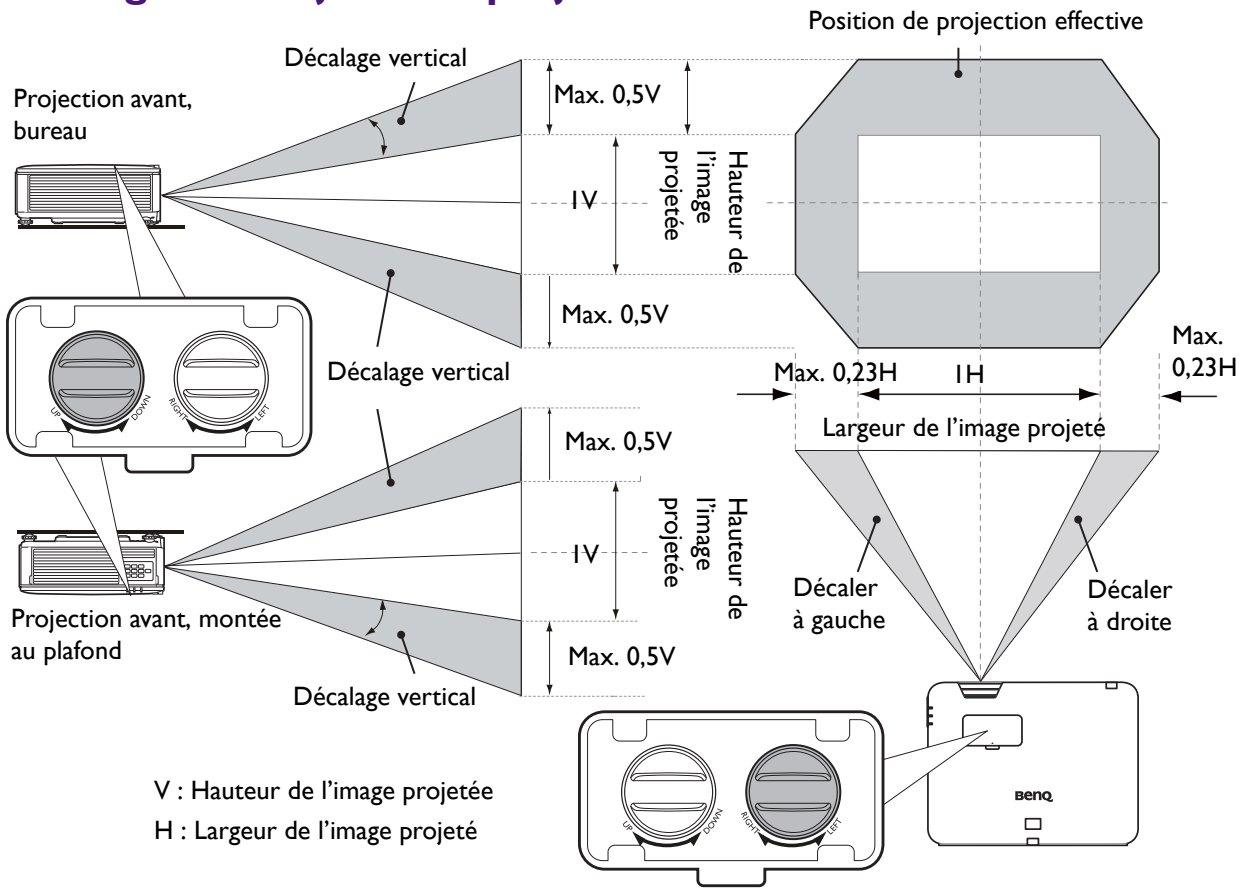
• N'utilisez pas le projecteur dans un environnement où se produisent des températures extrêmes. Le projecteur doit être utilisé à des températures comprises entre 32 degrés Fahrenheit (0 degrés Celsius) et 104 degrés Fahrenheit (40 degrés Celsius).

• Des dommages à l'écran se produiront si le projecteur est exposé à l'humidité, à la poussière ou à la fumée.













































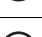



























• Ne couvrez pas les entrées et sorties d'air du projecteur. Une ventilation adéquate est requise pour dissiper la chaleur. Des dommages au projecteur se produiront si les entrées et sorties d'air sont couvertes.









Ajuster la position du projecteur

Décalage de l'objectif de projection



Voyants LED

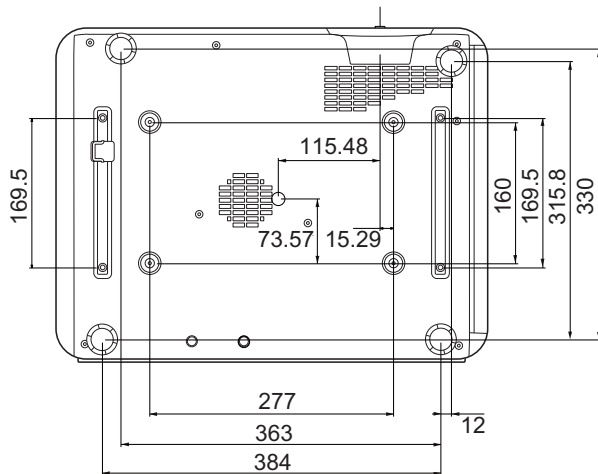
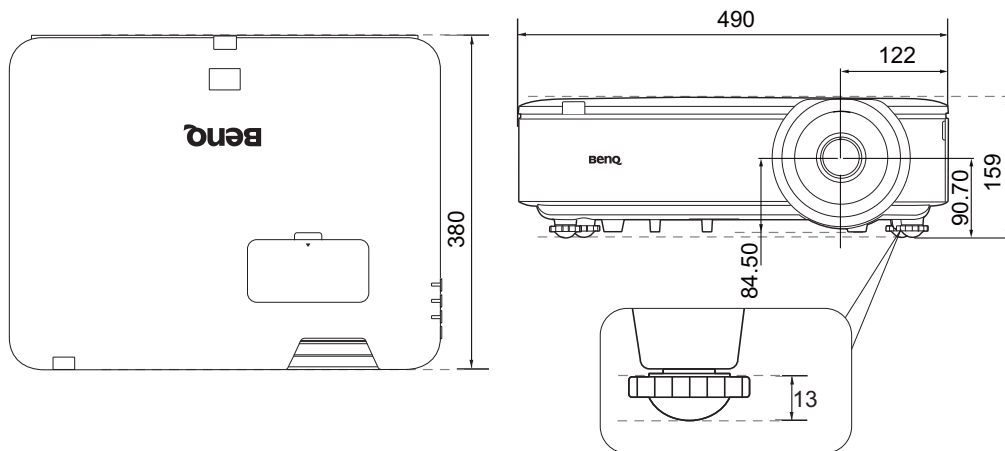
Lumière			État et description
POWER	TEMP	LIGHT	
Événements - alimentation			
			Mode veille
			Mise en marche
			Fonctionnement normal
			Refroidissement de mise hors tension normale
			Téléchargement
			Échec du démarrage du disque chromatique
			Échec du démarrage du disque phosphore
			Déverminage ACTIVÉ
			Déverminage DÉACTIVÉ
Événements de la source lumineuse			
			Vie de la source lumineuse dépassée
			Erreur de source lumineuse en fonctionnement normal
			La source lumineuse n'est pas allumée.
Événements thermiques			
			Erreur de ventilateur 1 (la vitesse effective du ventilateur est en dehors de la vitesse désirée)
			Erreur de ventilateur 2 (la vitesse effective du ventilateur est en dehors de la vitesse désirée)
			Erreur de ventilateur 3 (la vitesse effective du ventilateur est en dehors de la vitesse désirée)
			Erreur de ventilateur 4 (la vitesse effective du ventilateur est en dehors de la vitesse désirée)
			Erreur de ventilateur 5 (la vitesse effective du ventilateur est en dehors de la vitesse désirée)
			Erreur de ventilateur 6 (la vitesse effective du ventilateur est en dehors de la vitesse désirée)
			Erreur de ventilateur 7 (la vitesse effective du ventilateur est en dehors de la vitesse désirée)
			Erreur de ventilateur 8 (la vitesse effective du ventilateur est en dehors de la vitesse désirée)
			Erreur de température 1 (température au-dessus de la limite)
			Erreur de capteur thermique 1 ouvert
			Erreur de capteur thermique 1 court-circuité
			Erreur de connexion IC thermique #1 I2C

	 : Désact.	 : Orange allumé  : Orange clignotant	 : Vert allumé  : Vert clignotant	 : Rouge allumé  : Rouge clignotant
---	---	--	--	--

Dimensions

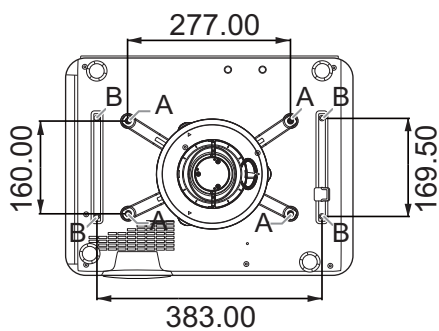
Dimensions de projection

490 mm (L) x 159 mm (H) x 380 mm (P)



Unité : mm

Diagramme de configuration de montage au plafond



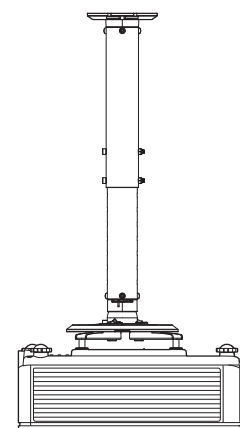
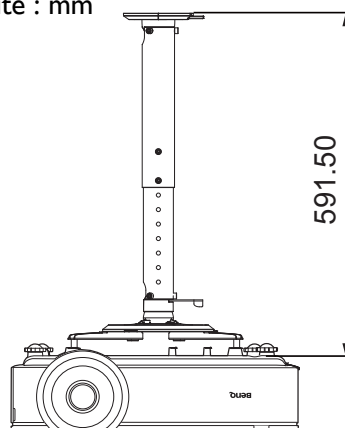
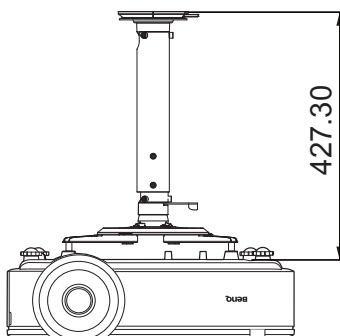
A : Montage au plafond BenQ CMG3 (5J.JAMI0.001)

Vis de montage au plafond : M4
(L max. = 25 mm ; L min. = 20 mm)

B : Trous de montage tiers

Vis : M6 (Max. L = 8 mm)

Unité : mm

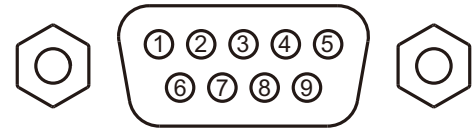


Commande RS232

Affectation de broches RS232

N°	Série
1	NC
2	RX
3	TX
4	NC
5	GND

N°	Série
6	NC
7	RTSZ
8	CTSZ
9	NC



Fonction	Type	Fonctionnement	ASCII
Alimentation	Écriture	Sous tension	<CR>*pow=on#<CR>
	Écriture	Hors tension	<CR>*pow=off#<CR>
	Lecture	État d'alimentation	<CR>*pow=?#<CR>
Sélection de la source	Écriture	COMPUTER/YPbPr	<CR>*sour=RGB#<CR>
	Écriture	HDMI	<CR>*sour=hdmi#<CR>
	Écriture	HDMI 2	<CR>*sour=hdmi2#<CR>
	Écriture	HDMI 3	<CR>*sour=hdmi3#<CR>
	Écriture	Composite	<CR>*sour=vid#<CR>
	Écriture	S-Video	<CR>*sour=svid#<CR>
	Écriture	HDbaseT	<CR>*sour=hdbaset#<CR>
	Lecture	Source actuelle	<CR>*sour=?#<CR>
Contrôle audio	Écriture	Muet activé	<CR>*mute=on#<CR>
	Écriture	Muet désactivé	<CR>*mute=off#<CR>
	Lecture	État muet	<CR>*mute=?#<CR>
	Écriture	Volume +	<CR>*vol=+#<CR>
	Écriture	Volume -	<CR>*vol=-#<CR>
	Écriture	Niveau de volume pour client	<CR>*vol=value#<CR>
	Lecture	État du volume	<CR>*vol=?#<CR>
Sélection source audio	Écriture	Transfert audio désactivé	<CR>*audiosour=off#<CR>
	Écriture	Audio-Ordinateur 1	<CR>*audiosour=RGB#<CR>
	Écriture	Audio-Vidéo/S-Video	<CR>*audiosour=vid#<CR>
	Écriture	Audio-HDMI	<CR>*audiosour=hdmi#<CR>
	Écriture	Audio-HDMI2	<CR>*audiosour=hdmi2#<CR>
	Écriture	Audio-HDMI3	<CR>*audiosour=hdmi3#<CR>
	Lecture	État transfert audio	<CR>*audiosour=?#<CR>
Mode Image	Écriture	Présentation	<CR>*appmod=preset#<CR>
	Écriture	sRVB	<CR>*appmod=srgb#<CR>
	Écriture	Lumineux	<CR>*appmod=bright#<CR>
	Écriture	DICOM	<CR>*appmod=dicom#<CR>
	Écriture	Vif	<CR>*appmod=vivid#<CR>
	Écriture	Util. 1	<CR>*appmod=user1#<CR>
	Écriture	Util. 2	<CR>*appmod=user2#<CR>
	Écriture	3D	<CR>*appmod=threed#<CR>
	Lecture	Mode Image	<CR>*appmod=?#<CR>

Fonction	Type	Fonctionnement	ASCII
Paramètre image	Écriture	Contraste +	<CR>*con=+#<CR>
	Écriture	Contraste -	<CR>*con=#<CR>
	Lecture	Valeur du contraste	<CR>*con=?#<CR>
	Écriture	Luminosité +	<CR>*bri=+#<CR>
	Écriture	Luminosité -	<CR>*bri=#<CR>
	Lecture	Valeur de la luminosité	<CR>*bri=?#<CR>
	Écriture	Couleur +	<CR>*color=+#<CR>
	Écriture	Couleur -	<CR>*color=#<CR>
	Lecture	Valeur de la couleur	<CR>*color=?#<CR>
	Écriture	Netteté +	<CR>*sharp=+#<CR>
	Écriture	Netteté -	<CR>*sharp=#<CR>
	Lecture	Valeur de la netteté	<CR>*sharp=?#<CR>
	Écriture	Température des couleurs-Chaud	<CR>*ct=warm#<CR>
	Écriture	Température des couleurs-Normal	<CR>*ct=normal#<CR>
	Écriture	Température des couleurs-Froid	<CR>*ct=cool#<CR>
	Lecture	État de la température des couleurs	<CR>*ct=?#<CR>
	Écriture	Rapport 4:3	<CR>*asp=4:3#<CR>
	Écriture	Rapport 16:9	<CR>*asp=16:9#<CR>
	Écriture	Format 16:10	<CR>*asp=16:10#<CR>
	Écriture	Rapport auto	<CR>*asp=AUTO#<CR>
	Écriture	Rapport réel	<CR>*asp=REAL#<CR>
	Lecture	État du rapport	<CR>*asp=?#<CR>
	Écriture	Zoom numérique avant	<CR>*zoomI#<CR>
Écriture	Zoom numérique arrière	<CR>*zoomO#<CR>	
Écriture	Auto	<CR>*auto#<CR>	
Brilliant Color	Écriture	Brilliant Color activé	<CR>*BC=on#<CR>
	Écriture	Brilliant Color désactivé	<CR>*BC=off#<CR>
	Lecture	État de Brilliant Color	<CR>*BC=?#<CR>
Paramètres de fonctionnement	Écriture	Position du projecteur-Sol avant	<CR>*pp=FT#<CR>
	Écriture	Position du projecteur-Sol arrière	<CR>*pp=RE#<CR>
	Écriture	Position du projecteur-Plafond arr.	<CR>*pp=RC#<CR>
	Écriture	Position du projecteur-Plafond avant	<CR>*pp=FC#<CR>
	Écriture	Recherche auto rapide	<CR>*QAS=on#<CR>
	Écriture	Recherche auto rapide	<CR>*QAS=off#<CR>
	Lecture	État de recherche auto rapide	<CR>*QAS=?#<CR>
	Lecture	État de la position du projecteur	<CR>*pp=?#<CR>
	Écriture	Mise sous tension directe-activée	<CR>*directpower=on#<CR>
	Écriture	Mise sous tension directe-désactivée	<CR>*directpower=off#<CR>
	Lecture	Mise sous tension directe-État	<CR>*directpower=?#<CR>
	Écriture	Démarrage sur signal-activé	<CR>*autopower=on#<CR>
	Écriture	Démarrage sur signal-désactivé	<CR>*autopower=off#<CR>
	Lecture	Démarrage sur signal-état	<CR>*autopower=?#<CR>
	Écriture	Paramètres de veille-Réseau activé	<CR>*standbynet=on#<CR>
	Écriture	Paramètres de veille-Réseau désactivé	<CR>*standbynet=off#<CR>
	Lecture	Paramètres de veille-État du réseau	<CR>*standbynet=?#<CR>
	Écriture	Paramètres de veille-Sortie moniteur activée	<CR>*standbymnt=on#<CR>

Fonction	Type	Fonctionnement	ASCII
Paramètres de fonctionnement	Écriture	Paramètres de veille-Sortie moniteur désactivée	<CR>*standbymnt=off#<CR>
	Lecture	Paramètres de veille-État de sortie moniteur	<CR>*standbymnt=?#<CR>
Débit en bauds	Écriture	9600	<CR>*baud=9600#<CR>
	Écriture	14400	<CR>*baud=14400#<CR>
	Écriture	19200	<CR>*baud=19200#<CR>
	Écriture	38400	<CR>*baud=38400#<CR>
	Écriture	57600	<CR>*baud=57600#<CR>
	Écriture	115200	<CR>*baud=115200#<CR>
	Lecture	Débit en bauds actuel	<CR>*baud=?#<CR>
Contrôle de la lampe	Lecture	Heures lampe	<CR>*ltim=?#<CR>
	Écriture	Mode normal	<CR>*lampm=lnor#<CR>
	Écriture	Mode éco	<CR>*lampm=eco#<CR>
	Écriture	Mode d'atténuation	<CR>*lampm=dimming#<CR>
	Écriture	Mode personnalisé	<CR>*lampm=custom#<CR>
	Écriture	Niveau de lumière pour le mode personnalisé	<CR>*lampcustom=value#<CR>
	Lecture	Statut du niveau de lumière pour le mode personnalisé	<CR>*lampcustom=?#<CR>
	Lecture	État du mode lampe	<CR>*lampm=?#<CR>
Divers	Lecture	Nom de modèle	<CR>*modelName=?#<CR>
	Écriture	Vide activé	<CR>*blank=on#<CR>
	Écriture	Vide désactivé	<CR>*blank=off#<CR>
	Lecture	État de vide	<CR>*blank=?#<CR>
	Écriture	Arrêt sur image activé	<CR>*freeze=on#<CR>
	Écriture	Arrêt sur image désactivé	<CR>*freeze=off#<CR>
	Lecture	État d'arrêt sur image	<CR>*freeze=?#<CR>
	Écriture	Menu activé	<CR>*menu=on#<CR>
	Écriture	Menu désactivé	<CR>*menu=off#<CR>
	Écriture	Haut	<CR>*up#<CR>
	Écriture	Bas	<CR>*down#<CR>
	Écriture	Droite	<CR>*right#<CR>
	Écriture	Gauche	<CR>*left#<CR>
	Écriture	Entrée	<CR>*enter#<CR>
	Écriture	Sync 3D désactivée	<CR>*3d=off#<CR>
	Écriture	Auto 3D	<CR>*3d=auto#<CR>
	Écriture	Sync 3D Haut-bas	<CR>*3d=tb#<CR>
	Écriture	Sync 3D Trame séquentielle	<CR>*3d=fs#<CR>
	Écriture	3D Combinaison de trame	<CR>*3d=fp#<CR>
	Écriture	3D Côte à côte	<CR>*3d=sbs#<CR>
	Écriture	Inversion 3D désactivé	<CR>*3d=da#<CR>
	Écriture	Inversion 3D	<CR>*3d=iv#<CR>
	Lecture	État sync 3D	<CR>*3d=?#<CR>
	Écriture	Récepteur télécommande-avant+arrière	<CR>*rr=fr#<CR>
	Écriture	Récepteur télécommande-avant	<CR>*rr=f#<CR>
	Écriture	Récepteur télécommande-arrière	<CR>*rr=r#<CR>
	Lecture	État du récepteur télécommande	<CR>*rr=?#<CR>
	Écriture	Découverte d'appareil AMX-activé	<CR>*amxdd=on#<CR>

Fonction	Type	Fonctionnement	ASCII
Divers	Écriture	Découverte d'appareil AMX-désactivé	<CR>*amxdd=off#<CR>
	Lecture	État de découverte d'appareil AMX	<CR>*amxdd=?#<CR>
	Lecture	Adresse MAC	<CR>*macaddr=?#<CR>
	Écriture	Mode Haute altitude activé	<CR>*Highaltitude=on#<CR>
	Écriture	Mode Haute altitude désactivé	<CR>*Highaltitude=off#<CR>
	Lecture	État Mode Haute altitude	<CR>*Highaltitude=?#<CR>

Inhaltsverzeichnis

Wichtige Sicherheitshinweise	60
Hinweis	61
Laser Hinweis	61
Kühlungshinweis	61
Produktinformationen	62
Lieferumfang	62
Technische Daten	62
Bedienfelder	62
Fernbedienung	63
Installation	64
Projektionsgrößen	64
Einstellen der Projektorposition	66
LED Anzeigen	67
Abmessungen	68
Projektor Abmessungen	68
Deckenmontage Installationsabbildung	68
RS232 Befehl	69
RS232 Pinbelegung	69
Regulatory Statements	129

Bitte besuchen Sie die unten stehende Webseite für die neueste Version des Benutzerhandbuchs/Installationsanleitung.

<http://business-display.benq.com/>

Wichtige Sicherheitshinweise

Der Projektor wurde so entwickelt und getestet, dass er die neuesten Normen für Sicherheit bei Geräten der Informationstechnologie erfüllt. Um die Sicherheit dieses Produktes zu gewährleisten, müssen Sie jedoch die in diesem Benutzerhandbuch/dieser Installationsanleitung und auf dem Produkt vermerkten Anweisungen befolgen.

1. **Lesen Sie vor Inbetriebnahme des Projektors dieses Benutzerhandbuch/Installationsanleitung sorgfältig durch.** Bewahren Sie es auf, um bei Bedarf darauf zurückgreifen zu können.
2. **Sehen Sie während des Betriebs nicht direkt in die Projektorlinse.** Durch das helle Licht können Ihre Augen geschädigt werden.
3. **Wartungsarbeiten nur von Fachpersonal ausführen lassen.**
4. **Öffnen Sie immer die Blende der Linse (falls vorhanden), oder entfernen Sie die Schutzkappe (falls vorhanden) von der Linse, wenn die Lichtquelle des Projektors eingeschaltet ist.**
5. Die Lichtquelle wird während des Betriebs extrem heiß.
6. In manchen Ländern ist die Netzspannung NICHT stabil. Dieser Projektor kann innerhalb eines Bereichs von 100 bis 240 Volt Wechselstrom betrieben werden. Er kann jedoch bei Stromausfällen oder Spannungsschwankungen von ± 10 Volt ausfallen. **An Orten mit Stromausfällen oder instabiler Netzspannung sollten Sie daher in Verbindung mit dem Projektor einen Stromstabilisator, einen Überspannungsschutz oder eine unterbrechungsfreie Stromversorgung (USV) installieren.**
7. Sorgen Sie dafür, dass die Projektionslinse bei Betrieb frei ist, da andernfalls Beschädigungen durch Wärme entstehen können oder Brandgefahr besteht. Um die Lichtquelle vorübergehend auszuschalten, verwenden Sie die Keine Anzeige Funktion.
8. Benutzen Sie die Lichtquellen nicht über die angegebene Betriebsdauer hinaus.
9. Sorgen Sie für einen sicheren und stabilen Stand des Produkts. Andernfalls kann es herunterfallen und beschädigt werden.
10. Versuchen Sie niemals den Projektor auseinanderzubauen. Im Inneren des Gerätes stehen Teile unter Spannung. Der Kontakt mit diesen Teilen kann zu lebensgefährlichen Verletzungen führen.
Andere Abdeckungen dürfen unter keinen Umständen geöffnet oder entfernt werden. Wenden Sie sich für Reparaturen an einen entsprechend qualifizierten professionellen Kundendienst.
11. Blockieren Sie nicht die Belüftungsöffnungen.
 - Stellen Sie den Projektor nicht auf eine Decke, auf Bettzeug oder auf eine andere weiche Oberfläche.
 - Bedecken Sie den Projektor nicht mit einem Tuch oder einem anderen Gegenstand.
 - In der Nähe des Projektors dürfen sich keine leicht entflammaren Stoffe befinden.Wenn die Belüftungsöffnungen blockiert sind, kann Überhitzung im Projektor zu einem Brand führen.
12. Stellen Sie das Gerät nicht senkrecht auf eine Seite. Andernfalls kann der Projektor umfallen und beschädigt werden oder Verletzungen verursachen.
13. Treten Sie nicht auf den Projektor, und stellen Sie nichts auf das Gerät. Andernfalls können Schäden am Projektor sowie Unfälle und Verletzungen die Folge sein.
14. Während das Gerät in Betrieb ist, treten möglicherweise aus dem Belüftungsgitter heiße Luft oder auffallende Gerüche aus. Dies ist normal und weist nicht auf einen Defekt des Gerätes hin.
15. Stellen Sie keine Flüssigkeiten auf den Projektor oder in seine Nähe. Wenn Flüssigkeiten in das Projektorinnere eindringen, kann dies zu Fehlfunktionen des Projektors führen. Wenn Flüssigkeit in den Projektor eingedrungen ist, trennen Sie das Netzkabel von der Steckdose, und setzen Sie sich mit BenQ in Verbindung, um den Projektor reparieren zu lassen.
16. Dieses Gerät muss geerdet werden.
17. Stellen Sie den Projektor nicht an folgenden Standorten auf:
 - Orte mit unzureichender Belüftung oder unzureichendem Platz. Der Abstand zur Wand muss mindestens 50 cm betragen, und die Belüftung des Projektors darf nicht behindert sein.
 - Orte mit sehr hohen Temperaturen, z. B. in Kraftfahrzeugen mit verschlossenen Fenstern und Türen.
 - Orte mit sehr hoher Luftfeuchtigkeit oder hoher Konzentration von Staub und Zigarettenrauch. Hierdurch können optische Bauteile verunreinigt, die Nutzungsdauer des Projektors verringert und das Bild verdunkelt werden.
 - Orte in der Nähe von Feuermeldern
 - Orte mit Temperaturen über 40°C / 104°F
 - Orte in einer Höhe von über 3000 m (10000 Fuß).

Hinweis

Laser Hinweis



Dieses Symbol weist darauf hin, dass es eine mögliche Gefährdung der Augen durch Laserstrahlung gibt, es sei denn, die Anweisungen werden genau verfolgt.

KLASSE I LASERPRODUKT



Dieses Laserprodukt ist während sämtlichen Betriebsschritten als Klasse I designed.

LASERLICHT - DIREKTEN AUGENKONTAKT VERMEIDEN.

Den Laser nicht auf andere Personen oder reflektierende Gegenstände richten oder reflektieren lassen.



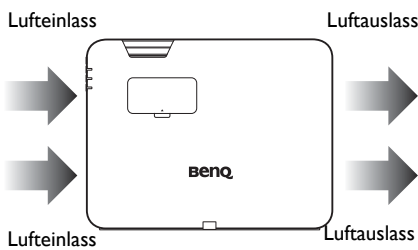
Direktes oder gestreutes Licht kann gefährlich für die Augen und die Haut sein.

Es gibt das Risiko eines Augenkontakts mit Laserstrahlung, wenn die Anleitungen nicht befolgt werden.

Achtung – die Nutzung von Steuerungen oder Anpassungen oder das Vornehmen von Schritten, die nicht in dieser Anleitung beschrieben werden, können zu einem gefährlichen Kontakt mit Strahlung führen.

Kühlungshinweis

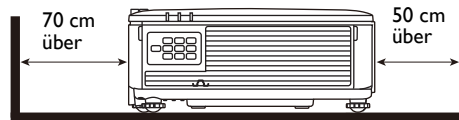
Belüftung



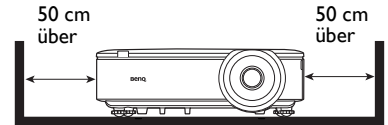
Achtung bei Installation

Für eine ausreichende Kühlung des Projektors stellen Sie bitte sicher, dass genügend Abstand um den Projektor wie unten abgebildet eingehalten wird:

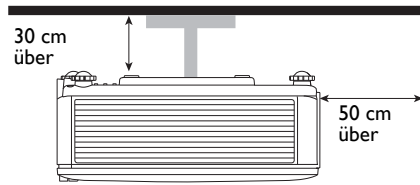
• Tabelle



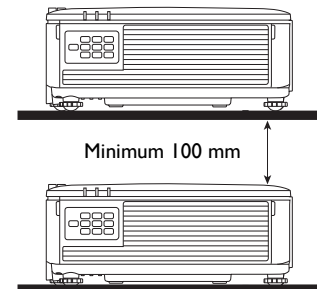
• Tabelle



• Decke



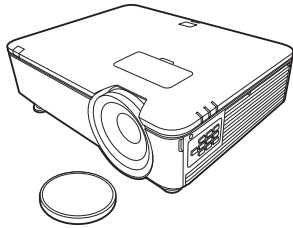
• Stapel



- Vermeiden Sie es, den Projektor in einem schlecht belüfteten oder engen Raum zu benutzen.
- Die Lebensdauer der Lichtquelle kann beeinträchtigt werden, wenn der Projektor in einem Winkel von mehr als ± 15 Grad geneigt eingesetzt wird.

Produktinformationen

Lieferumfang



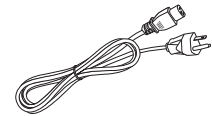
Projektor



Fernbedienung und
Batterien



Installationsanleitung

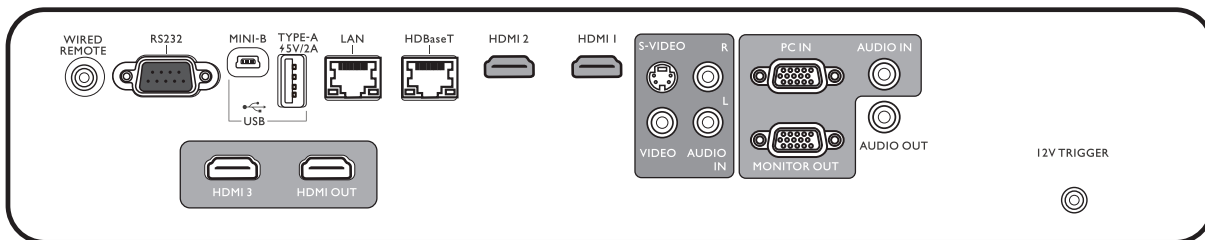


Netzkabel

Technische Daten

	LU950/LU95 I	LU95 I ST
Anzeigesystem	1-CHIP DMD	
Auflösung	1920 (H) x 1200 (V) WUXGA	
Lichtquelle	Laser Diode	
Projektionsverhältnis	1,36 ~ 2,18	0,81 ~ 0,89
Stromverbrauch	530 W (Max); < 0,5 W (Standby)	
Abmessungen	490 mm (B) x 159 mm (H) x 380 mm (T)	
Gewicht	9,4 Kg (20,7 lbs)	

Bedienfelder



• WIRED REMOTE

Für den Anschluss an eine Kabelfernbedienung.

• RS232

Standard 9-Pin D-Sub Schnittstelle für Verbindung mit PC Steuerungssystem und Projektorwartung.

• USB MINI-B

Nur für Firmware-Upgrade.

• USB TYPE A

Unterstützt 5V/2A Ausgang.

• LAN

Für den Anschluss an RJ45 Cat5/Cat6 Ethernet-Kabel zur Steuerung des Projektors über ein Netzwerk.

• HDBaseT

Für die Verbindung mit RJ45 Cat5/Cat6 Kabeln für den Eingang von unkomprimierten High-Definition Video (HD).

• HDMI 2

Verbindung mit HDMI-Quelle.

• HDMI 1

Verbindung mit HDMI-Quelle.

• VIDEO

Anschluss an Composite Videoquelle.

• S-VIDEO

Anschluss an S-Video Quelle.

• AUDIO IN L/R

Anschluss an eine Audio-Eingangsquelle über ein Audio-L/R-Kabel.

• PC IN

15-Pin VGA Port für Verbindung mit RGB Quelle oder PC.

• MONITOR OUT

Verbindung mit anderem Monitor für gleichzeitige Wiedergabeanzeige. (Genutzt mit **PC IN** Port.)

• AUDIO IN

Anschluss an eine Audio-Eingangsquelle über ein Audiokabel. (Genutzt mit **PC IN** Port.)

• AUDIO OUT

Anschluss an einen Lautsprecher oder ein Headset.

• 12V TRIGGER

Für externe Geräte wie z.B. einen elektrischen Bildschirm oder Lichtsteuerung, usw.

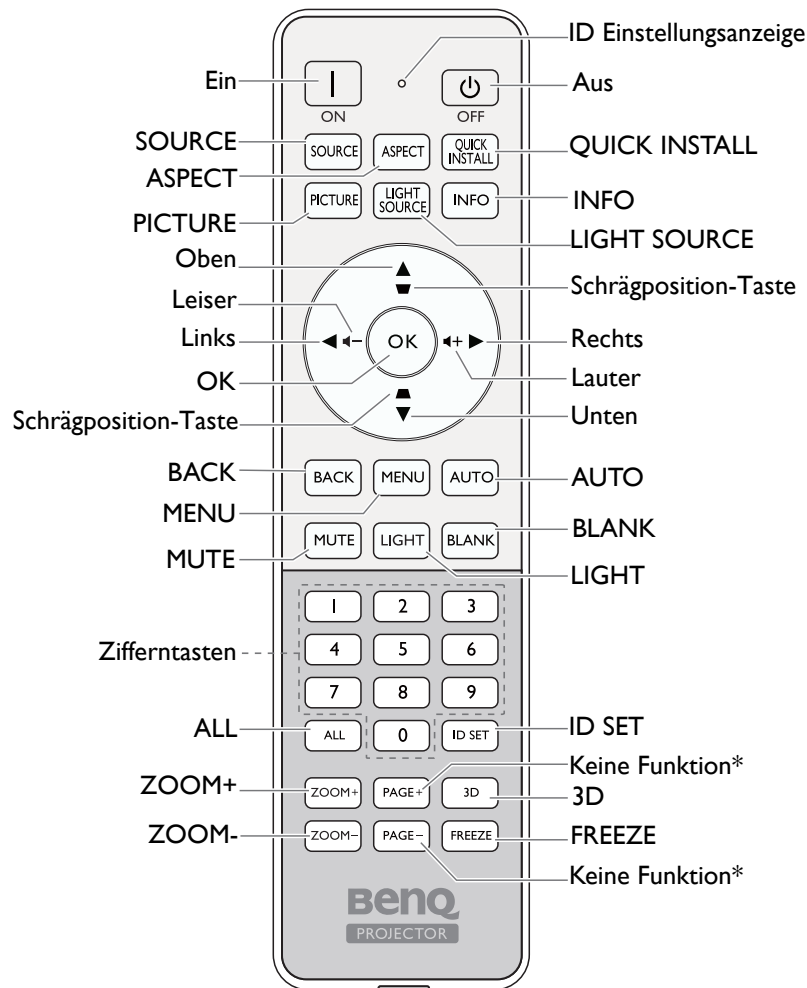
• HDMI 3

Verbindung mit HDMI-Quelle.

• HDMI OUT

Verbindung mit anderem Monitor für gleichzeitige Wiedergabeanzeige. (Genutzt mit **HDMI 3** Port.)

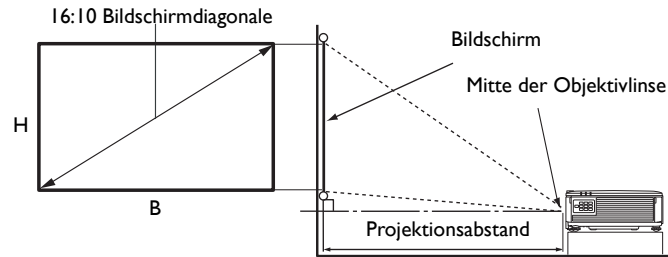
Fernbedienung



* Diese Taste ist für dieses Modell nicht verfügbar.

Installation

Projektionsgrößen



Das Bildformat der Leinwand beträgt 16:10 und das des projizierten Bildes beträgt 16:10

LU950/LU95 I

Bildschirmgröße		Abstand von Bildschirm (mm)				
Diagonal		B (mm)	H (mm)	Minimale Länge (max. Zoom)	Durchschnitt	Maximale Länge (min. Zoom)
Zoll	mm					
30	762	646	404	879	1144	1409
40	1016	862	538	1172	1525	1878
50	1270	1077	673	1465	1906	2348
60	1524	1292	808	1758	2287	2817
80	2032	1723	1077	2343	3050	3756
90	2286	1939	1212	2636	3431	4226
100	2540	2154	1346	2929	3812	4696
110	2794	2369	1481	3222	4194	5165
120	3048	2585	1615	3515	4575	5635
130	3302	2800	1750	3808	4956	6104
140	3556	3015	1885	4101	5337	6574
150	3810	3231	2019	4394	5719	7043
160	4064	3446	2154	4687	6100	7513
170	4318	3662	2289	4980	6481	7982
180	4572	3877	2423	5273	6862	8452
190	4826	4092	2558	5566	7244	8922
200	5080	4308	2692	5859	7625	9391
250	6350	5385	3365	7323	9531	11739
300	7620	6462	4039	8788	11437	14087

LU951ST

Bildschirmgröße			Abstand von Bildschirm (mm)			
Diagonal		B (mm)	H (mm)	Minimale Länge (max. Zoom)	Durchschnitt	Maximale Länge (min. Zoom)
Zoll	mm					
30	762	646	404	523	549	575
40	1016	862	538	698	732	767
50	1270	1077	673	872	915	958
60	1524	1292	808	1047	1098	1150
80	2032	1723	1077	1396	1465	1534
90	2286	1939	1212	1570	1648	1725
100	2540	2154	1346	1745	1831	1917
110	2794	2369	1481	1919	2014	2109
120	3048	2585	1615	2094	2197	2300
130	3302	2800	1750	2268	2380	2492
140	3556	3015	1885	2443	2563	2684
150	3810	3231	2019	2617	2746	2875
160	4064	3446	2154	2791	2929	3067
170	4318	3662	2289	2966	3112	3259
180	4572	3877	2423	3140	3295	3451
190	4826	4092	2558	3315	3479	3642
200	5080	4308	2692	3489	3662	3834
250	6350	5385	3365	4362	4577	4792
300	7620	6462	4039	5234	5492	5751



- Um Ihre Projektionsqualität zu optimieren, empfehlen wir Ihnen, die Projektion im nicht grauen Bereich zu machen.

- Alle Werte sind lediglich Schätzungen und können von den tatsächlichen Abmessungen abweichen. Wenn Sie den Projektor dauerhaft montieren möchten, empfiehlt BenQ, vor dem Anbringen Projektionsgröße und -abstand mit dem Projektor an Ort und Stelle zu testen, um die optischen Eigenschaften des jeweiligen Projektors zu berücksichtigen. So können Sie die ideale Montageposition für Ihre spezielle Raumsituation ermitteln.

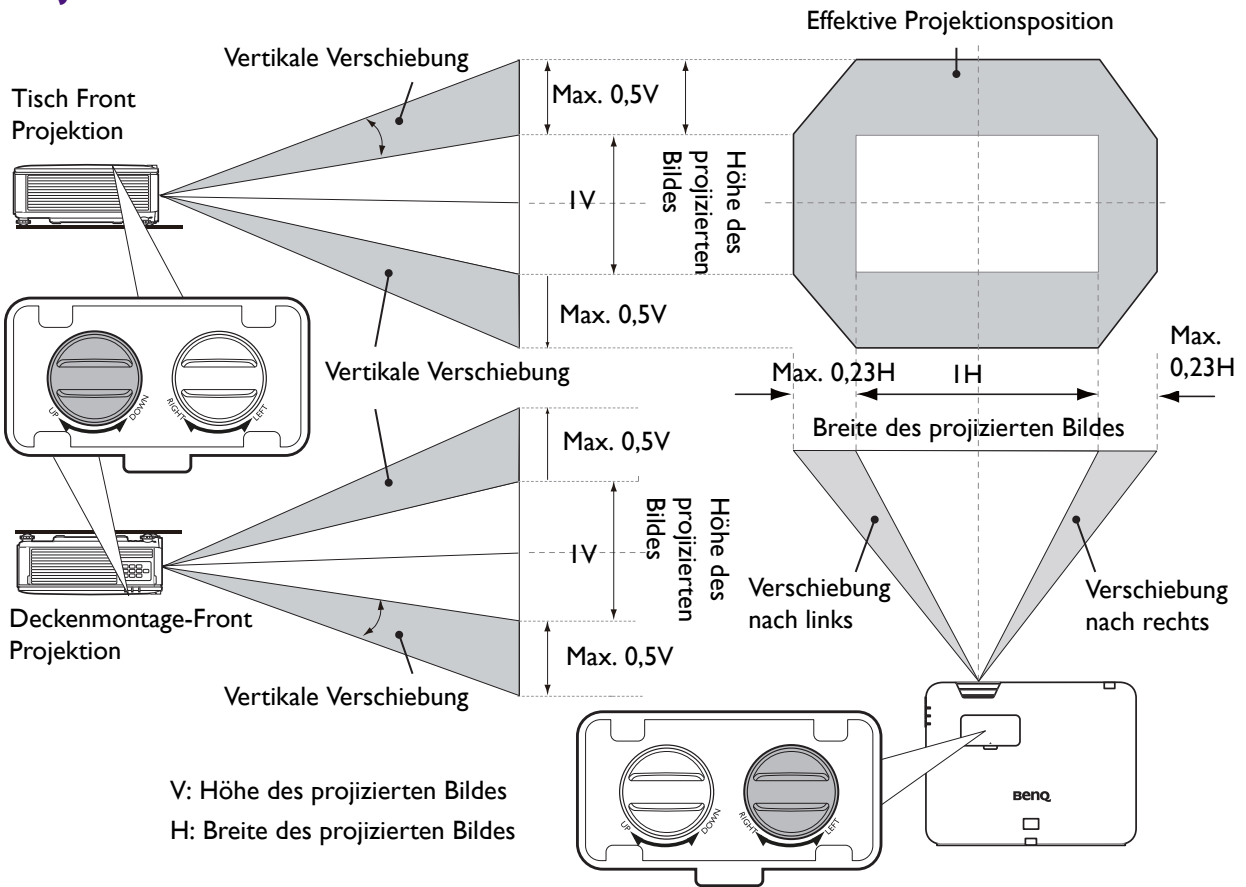


- Die Deckeninstallation muss von einem Fachmann vorgenommen werden. Kontaktieren Sie Ihren Händler, um weitere Informationen zu erhalten. Es wird nicht empfohlen, den Projektor allein zu installieren.
- Verwenden Sie den Projektor nur auf einer festen, ebenen Oberfläche. Schwere Verletzungen und Schäden können auftreten, wenn der Projektor fallen gelassen wird.
- Verwenden Sie den Projektor nicht in Bereichen mit extremen Temperaturen. Die Projektor darf nur in Bereichen zwischen 32 Grad Fahrenheit (0 Grad Celsius) und 104 Grad Fahrenheit (40 Grad Celsius) verwendet werden.
- Schäden am Bildschirm werden auftreten, wenn der Projektor Feuchtigkeit, Staub oder Rauch ausgesetzt wurde.
- Blockieren Sie nicht die Lüftungsschlitze am Projektor. Eine ausreichende Lüftung ist erforderlich, um Wärme abzuführen. Der Projektor wird beschädigt werden, wenn die Lüftungsschlitze blockiert sind.

Einstellen der Projektorposition

Projektionslinse verschieben

Deutsch



LED Anzeigen

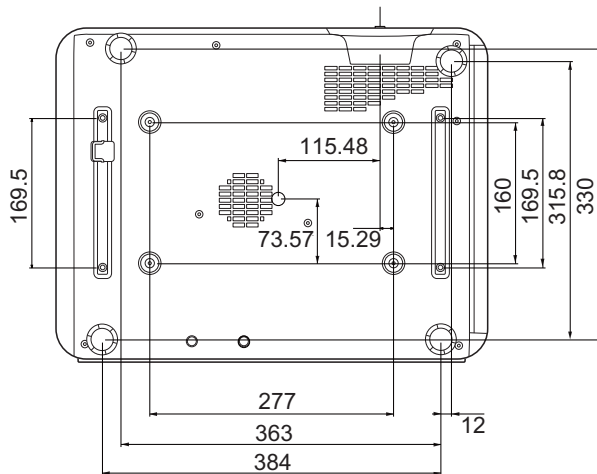
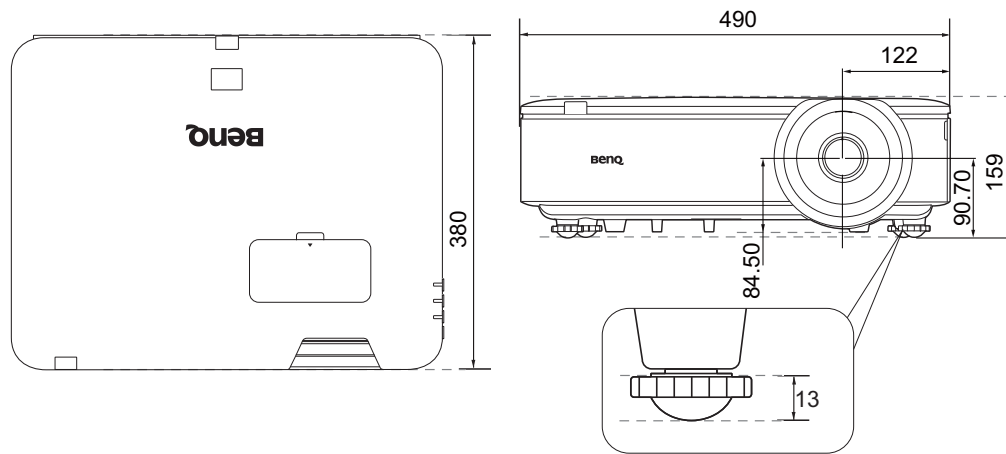
Signalleuchte			Status und Beschreibung
POWER	TEMP	LIGHT	
Betriebsanzeigen			
			Standbymodus
			Einschalten
			Normalbetrieb
			Normale Abkühlung beim Ausschalten
			Lade herunter
			Start von Farbrad fehlgeschlagen
			Start von Phosphorrad fehlgeschlagen
			Burn-in EIN
			Burn-in AUS
Lichtquellenereignisse			
			Lichtquelle ist am Ende der Lebensdauer
			Lichtquellenfehler im normalen Betrieb
			Lichtquelle leuchtet nicht
Temperaturanzeigen			
			Lüfter 1 Fehler (die Lüftergeschwindigkeit liegt unter der gewünschten Geschwindigkeit)
			Lüfter 2 Fehler (die Lüftergeschwindigkeit liegt unter der gewünschten Geschwindigkeit)
			Lüfter 3 Fehler (die Lüftergeschwindigkeit liegt unter der gewünschten Geschwindigkeit)
			Lüfter 4 Fehler (die Lüftergeschwindigkeit liegt unter der gewünschten Geschwindigkeit)
			Lüfter 5 Fehler (die Lüftergeschwindigkeit liegt unter der gewünschten Geschwindigkeit)
			Lüfter 6 Fehler (die Lüftergeschwindigkeit liegt unter der gewünschten Geschwindigkeit)
			Lüfter 7 Fehler (die Lüftergeschwindigkeit liegt unter der gewünschten Geschwindigkeit)
			Lüfter 8 Fehler (die Lüftergeschwindigkeit liegt unter der gewünschten Geschwindigkeit)
			Temperatur 1 Fehler (Temperaturlimit überschritten)
			Thermalsensor 1 Offen Fehler
			Thermalsensor 1 Kurzschluss Fehler
			Thermal IC #1 I2C Verbindungsfehler

	: Aus	: Orange ein : Orange blinkt	: Grün ein : Grün blinkt	: Rot ein : Rot blinkt
--	-------	---------------------------------	-----------------------------	---------------------------

Abmessungen

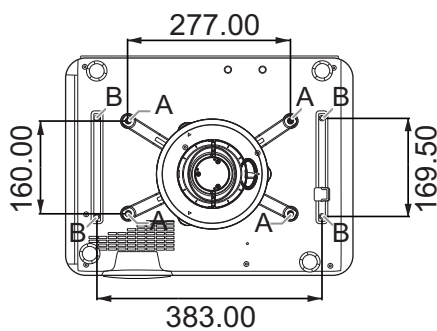
Projektor Abmessungen

490 mm (B) x 159 mm (H) x 380 mm (T)



Einheit: mm

Deckenmontage Installationsabbildung

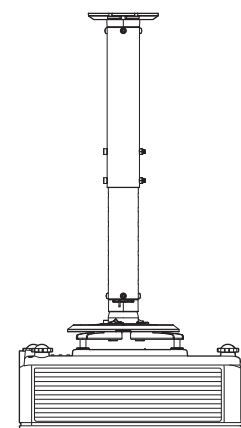
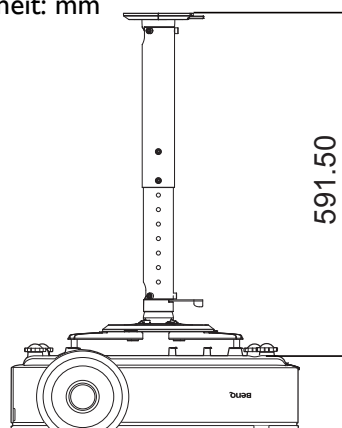
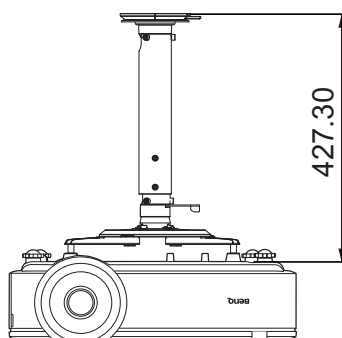


A: BenQ Deckenmontage CMG3 (5J.JAM10.001)

Schraube für Deckenmontage: M4
(Max. L = 25 mm; Min. L = 20 mm)

B: Montagelöcher von Dritten
Schraube: M6 (Max. L = 8 mm)

Einheit: mm

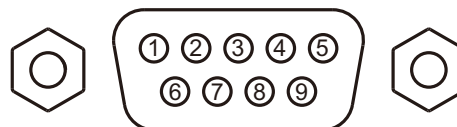


RS232 Befehl

RS232 Pinbelegung

Nr.	Seriell
1	NC
2	RX
3	TX
4	NC
5	GND

Nr.	Seriell
6	NC
7	RTSZ
8	CTS2
9	NC



Funktion	Typ	Bedienung	ASCII
Strom	Schreiben	Einschalten	<CR>*pow=on#<CR>
	Schreiben	Ausschalten	<CR>*pow=off#<CR>
	Lesen	Betriebsstatus	<CR>*pow=?#<CR>
Quellenauswahl	Schreiben	COMPUTER/YPbPr	<CR>*sour=RGB#<CR>
	Schreiben	HDMI	<CR>*sour=hdmi#<CR>
	Schreiben	HDMI 2	<CR>*sour=hdmi2#<CR>
	Schreiben	HDMI 3	<CR>*sour=hdmi3#<CR>
	Schreiben	Composite	<CR>*sour=vid#<CR>
	Schreiben	S-Video	<CR>*sour=svid#<CR>
	Schreiben	HDBaseT	<CR>*sour=hdbaset#<CR>
	Lesen	Aktuelle Quelle	<CR>*sour=?#<CR>
Audiosteuerung	Schreiben	Ton aus aktiviert	<CR>*mute=on#<CR>
	Schreiben	Ton aus deaktiviert	<CR>*mute=off#<CR>
	Lesen	Ton aus Status	<CR>*mute=?#<CR>
	Schreiben	Lautstärke +	<CR>*vol=+#<CR>
	Schreiben	Lautstärke -	<CR>*vol=-#<CR>
	Schreiben	Lautstärkepegel für Kunden	<CR>*vol=value#<CR>
	Lesen	Lautstärkestatus	<CR>*vol=?#<CR>
Audioquellenauswahl	Schreiben	Audio Passthrough aus	<CR>*audiosour=off#<CR>
	Schreiben	Audio-Computer1	<CR>*audiosour=RGB#<CR>
	Schreiben	Audio-Video/S-Video	<CR>*audiosour=vid#<CR>
	Schreiben	Audio-HDMI	<CR>*audiosour=hdmi#<CR>
	Schreiben	Audio-HDMI2	<CR>*audiosour=hdmi2#<CR>
	Schreiben	Audio-HDMI3	<CR>*audiosour=hdmi3#<CR>
	Lesen	Audio Passthrough Status	<CR>*audiosour=?#<CR>
Bildmodus	Schreiben	Präsentation	<CR>*appmod=preset#<CR>
	Schreiben	sRGB	<CR>*appmod=srgb#<CR>
	Schreiben	Hell	<CR>*appmod=bright#<CR>
	Schreiben	DICOM	<CR>*appmod=dicom#<CR>
	Schreiben	Lebendig	<CR>*appmod=vivid#<CR>
	Schreiben	Benutzer1	<CR>*appmod=user1#<CR>
	Schreiben	Benutzer2	<CR>*appmod=user2#<CR>
	Schreiben	3D	<CR>*appmod=threed#<CR>
	Lesen	Bildmodus	<CR>*appmod=?#<CR>

Funktion	Typ	Bedienung	ASCII
Bildeinstellung	Schreiben	Kontrast +	<CR>*con=+#<CR>
	Schreiben	Kontrast -	<CR>*con=#<CR>
	Lesen	Kontrastwert	<CR>*con=?#<CR>
	Schreiben	Helligkeit +	<CR>*bri=+#<CR>
	Schreiben	Helligkeit -	<CR>*bri=#<CR>
	Lesen	Helligkeitswert	<CR>*bri=?#<CR>
	Schreiben	Farbe +	<CR>*color=+#<CR>
	Schreiben	Farbe -	<CR>*color=#<CR>
	Lesen	Farbwert	<CR>*color=?#<CR>
	Schreiben	Bildschärfe +	<CR>*sharp=+#<CR>
	Schreiben	Bildschärfe -	<CR>*sharp=#<CR>
	Lesen	Schärfewert	<CR>*sharp=?#<CR>
	Schreiben	Farbtemperatur-Warm	<CR>*ct=warm#<CR>
	Schreiben	Farbtemperatur-Normal	<CR>*ct=normal#<CR>
	Schreiben	Farbtemperatur-Kühl	<CR>*ct=cool#<CR>
	Lesen	Farbtemperaturstatus	<CR>*ct=?#<CR>
	Schreiben	Bildformat 4:3	<CR>*asp=4:3#<CR>
	Schreiben	Bildformat 16:9	<CR>*asp=16:4,08kg<CR>
	Schreiben	Bildformat 16:10	<CR>*asp=16:10#<CR>
	Schreiben	Bildformat Automatisch	<CR>*asp=AUTO#<CR>
	Schreiben	Bildformat Real	<CR>*asp=REAL#<CR>
	Lesen	Bildformat Status	<CR>*asp=?#<CR>
	Schreiben	Digital Zoom Vergrößerung	<CR>*zoomI#<CR>
	Schreiben	Digital Zoom Verkleinerung	<CR>*zoomO#<CR>
Schreiben	Auto	<CR>*auto#<CR>	
Brilliant Color	Schreiben	Brillant Farbe ein	<CR>*BC=on#<CR>
	Schreiben	Brillant Farbe aus	<CR>*BC=off#<CR>
	Lesen	Brillant Farbe Status	<CR>*BC=?#<CR>
Betriebseinstellungen	Schreiben	Projektorposition-Tisch vorn	<CR>*pp=FT#<CR>
	Schreiben	Projektorposition-Tisch hinten	<CR>*pp=RE#<CR>
	Schreiben	Projektorposition-Decke hinten	<CR>*pp=RC#<CR>
	Schreiben	Projektorposition-Decke vorn	<CR>*pp=FC#<CR>
	Schreiben	Schnelle Auto-Suche	<CR>*QAS=on#<CR>
	Schreiben	Schnelle Auto-Suche	<CR>*QAS=off#<CR>
	Lesen	Schnelle Auto-Suche Status	<CR>*QAS=?#<CR>
	Lesen	Projektorpositionsstatus	<CR>*pp=?#<CR>
	Schreiben	Direkt Strom Ein-Ein	<CR>*directpower=on#<CR>
	Schreiben	Direkt Strom Ein-Aus	<CR>*directpower=off#<CR>
	Lesen	Direkt Strom Ein-Status	<CR>*directpower=?#<CR>
	Schreiben	Signal Einschalten-Ein	<CR>*autopower=on#<CR>
	Schreiben	Signal Einschalten-Aus	<CR>*autopower=off#<CR>
	Lesen	Signal Einschalten-Status	<CR>*autopower=?#<CR>
	Schreiben	Standby Einstellungen-Netzwerk ein	<CR>*standbynet=on#<CR>
	Schreiben	Standby Einstellungen-Netzwerk aus	<CR>*standbynet=off#<CR>
	Lesen	Standby Einstellungen-Netzwerk Status	<CR>*standbynet=?#<CR>
	Schreiben	Standby Einstellungen-Monitor ausschalten ein	<CR>*standbymnt=on#<CR>

Funktion	Typ	Bedienung	ASCII
Betriebseinstellungen	Schreiben	Standby Einstellungen-Monitor ausschalten aus	<CR>*standbymnt=off#<CR>
	Lesen	Standby Einstellungen-Monitor ausschalten Status	<CR>*standbymnt=?#<CR>
Baudrate	Schreiben	9600	<CR>*baud=9600#<CR>
	Schreiben	14400	<CR>*baud=14400#<CR>
	Schreiben	19200	<CR>*baud=19200#<CR>
	Schreiben	38400	<CR>*baud=38400#<CR>
	Schreiben	57600	<CR>*baud=57600#<CR>
	Schreiben	115200	<CR>*baud=115200#<CR>
	Lesen	Aktuelle Baudrate	<CR>*baud=?#<CR>
Lampensteuerung	Lesen	Lampenstd.	<CR>*ltim=?#<CR>
	Schreiben	Normaler Modus	<CR>*lampm=lnor#<CR>
	Schreiben	Ökomodus	<CR>*lampm=eco#<CR>
	Schreiben	Dimm-Modus	<CR>*lampm=dimming#<CR>
	Schreiben	Benutzermodus	<CR>*lampm=custom#<CR>
	Schreiben	Lichtpegel für benutzerdefinierten Modus	<CR>*lampcustom=value#<CR>
	Lesen	Lichtpegelstatus für benutzerdefinierten Modus	<CR>*lampcustom=?#<CR>
	Lesen	Lampenmodus Status	<CR>*lampm=?#<CR>
Verschiedenes	Lesen	Modellname	<CR>*modelName=?#<CR>
	Schreiben	Leer ein	<CR>*blank=on#<CR>
	Schreiben	Leer aus	<CR>*blank=off#<CR>
	Lesen	Leer Status	<CR>*blank=?#<CR>
	Schreiben	Standbild ein	<CR>*freeze=on#<CR>
	Schreiben	Standbild aus	<CR>*freeze=off#<CR>
	Lesen	Standbild Status	<CR>*freeze=?#<CR>
	Schreiben	Menü ein	<CR>*menu=on#<CR>
	Schreiben	Menü aus	<CR>*menu=off#<CR>
	Schreiben	Oben	<CR>*up#<CR>
	Schreiben	Unten	<CR>*down#<CR>
	Schreiben	Rechts	<CR>*right#<CR>
	Schreiben	Links	<CR>*left#<CR>
	Schreiben	Eingabe	<CR>*enter#<CR>
	Schreiben	3D Sync. Aus	<CR>*3d=off#<CR>
	Schreiben	3D Auto	<CR>*3d=auto#<CR>
	Schreiben	3D Sync Oben Unten	<CR>*3d=tb#<CR>
	Schreiben	3D Sync. Frame Sequential	<CR>*3d=fs#<CR>
	Schreiben	3D Frame-Packing	<CR>*3d=fp#<CR>
	Schreiben	3D Seite-an-Seite	<CR>*3d=sbs#<CR>
	Schreiben	3D Inverter deaktivieren	<CR>*3d=da#<CR>
	Schreiben	3D Inverter	<CR>*3d=iv#<CR>
	Lesen	3D-Synchronisierung Status	<CR>*3d=?#<CR>
	Schreiben	Fernbedienungsempfänger-Vorn+Hinten	<CR>*rr=fr#<CR>
	Schreiben	Fernbedienungsempfänger-Vorn	<CR>*rr=f#<CR>
	Schreiben	Fernbedienungsempfänger-Hinten	<CR>*rr=r#<CR>
	Lesen	Fernbedienungsempfänger Status	<CR>*rr=?#<CR>
	Schreiben	AMX Geräteerkennung-Ein	<CR>*amxdd=on#<CR>
	Schreiben	AMX Geräteerkennung-Aus	<CR>*amxdd=off#<CR>

Funktion	Typ	Bedienung	ASCII
Verschiedenes	Lesen	AMX Geräteerkennung Status	<CR>*amxdd=?#<CR>
	Lesen	MAC-Adresse	<CR>*macaddr=?#<CR>
	Schreiben	Höhenmodus ein	<CR>*Highaltitude=on#<CR>
	Schreiben	Höhenmodus aus	<CR>*Highaltitude=off#<CR>
	Lesen	Höhenmodus Status	<CR>*Highaltitude=?#<CR>

Sommario

Importanti istruzioni sulla sicurezza	74
Avviso	75
Avviso sul laser	75
Avviso sul raffreddamento	75
Informazioni sul prodotto	76
Contenuto della confezione	76
Specifiche tecniche	76
Terminale di controllo	76
Telecomando	77
Installazione	78
Dimensioni di proiezione	78
Regolazione della posizione del proiettore	80
Indicatori LED	81
Dimensioni	82
Dimensioni del proiettore	82
Schema per l'installazione a soffitto	82
Comando RS232	83
Assegnazione pin RS232	83
Regulatory Statements	129

Visitare il sito web di seguito per la versione più recente del Manuale utente/Guida all'installazione.

<http://business-display.benq.com/>

Importanti istruzioni sulla sicurezza

Il proiettore è stato progettato e sottoposto a test per soddisfare i più recenti standard di sicurezza previsti per le apparecchiature informatiche. Tuttavia, per un utilizzo sicuro del prodotto, è importante seguire le istruzioni riportate nel presente manuale utente/guida all'installazione e indicate sul prodotto stesso.

1. **Leggere il presente manuale utente/guida all'installazione prima di utilizzare il proiettore.** Conservarlo per poterlo consultare in seguito.
2. **Durante l'uso, non guardare direttamente nell'obiettivo del proiettore.** L'intenso raggio luminoso potrebbe provocare danni alla vista.
3. **Per la manutenzione rivolgersi a personale tecnico qualificato.**
4. **Aprire sempre l'otturatore dell'obiettivo (se presente) o rimuovere il coperchio dell'obiettivo (se presente) quando la sorgente di illuminazione del proiettore è accesa.**
5. Durante il funzionamento dell'apparecchio, la sorgente di illuminazione raggiunge temperature elevate.
6. In alcuni Paesi, la tensione di linea NON è stabile. Questo proiettore è stato progettato per funzionare conformemente agli standard di sicurezza a una tensione compresa tra 100 e 240 VCA; tuttavia, potrebbero verificarsi guasti in caso di interruzioni o variazioni di tensione di ± 10 volt. **Nelle zone soggette a variazioni o cadute di tensione, si consiglia di collegare il proiettore tramite uno stabilizzatore di tensione, un limitatore di sovratensione o un gruppo di continuità (UPS).**
7. Non bloccare l'obiettivo di proiezione con oggetti durante il funzionamento del proiettore per evitare il rischio che gli oggetti si surriscaldino, si deformino o che si sviluppino incendi. Per spegnere temporaneamente la sorgente di illuminazione, usare la funzione blank.
8. Non utilizzare le sorgenti di illuminazione oltre il loro periodo di durata nominale.
9. Non collocare il prodotto su tavoli, sostegni o carrelli non stabili. Il prodotto potrebbe cadere e riportare seri danni.
10. Non tentare di smontare il proiettore. L'alta tensione presente all'interno del dispositivo potrebbe essere letale in caso si venisse a contatto con parti scoperte.
Non smontare né estrarre in nessun caso altri coperchi. Per la manutenzione rivolgersi unicamente a personale tecnico qualificato.
11. Non ostruire le aperture di ventilazione.
 - Non collocare il proiettore su coperte, lenzuola o altre superfici morbide.
 - Non coprire il proiettore con un panno o altri oggetti.
 - Non collocare materiali infiammabili vicino al proiettore.Se le aperture di ventilazione sono ostruite, il surriscaldamento del proiettore può provocare un incendio.
12. Non collocare l'unità in posizione verticale. Così facendo si può causare la caduta dell'apparecchio, che provocherebbe lesioni all'operatore o danni all'apparecchio stesso.
13. Non calpestare il proiettore, né collocare oggetti sopra di esso. Oltre ai danni fisici al proiettore, potrebbero infatti verificarsi incidenti, con pericolo di lesioni.
14. Quando il proiettore è in funzione, dalla griglia di ventilazione possono fuoriuscire odore e aria calda. Questo è un fenomeno normale e non un difetto del prodotto.
15. Non collocare liquidi accanto o sopra al proiettore. Eventuali infiltrazioni di sostanze liquide possono danneggiare il proiettore. In tal caso, scollegare il cavo di alimentazione dalla presa di alimentazione e contattare BenQ per richiedere la riparazione del proiettore.
16. Questo apparato deve essere collegato a terra.
17. Non collocare il proiettore in ambienti con le seguenti caratteristiche.
 - Spazi poco ventilati o chiusi. Posizionare il proiettore a una distanza di almeno 50 cm dalle pareti e lasciare uno spazio sufficiente per assicurare un'adeguata ventilazione intorno all'unità.
 - Ambienti con temperature eccessivamente elevate, ad esempio l'interno di un'automobile con i finestrini chiusi.
 - Ambienti eccessivamente umidi, polverosi o fumosi che possono contaminare i componenti ottici, riducendo la vita utile del proiettore e oscurandone lo schermo.
 - Luoghi posti nelle vicinanze di allarmi antincendio.
 - Ambienti con temperature superiori a 40°C / 104°F
 - Luoghi la cui altitudine superiore a 3000 m (10000 piedi).

Avviso

Avviso sul laser



Questo simbolo indica la presenza di potenziali rischi agli occhi per l'esposizione alla radiazione laser nel caso non siano seguite fedelmente le istruzioni.

PRODOTTO LASER DI CLASSE I



A questo prodotto laser è assegnata la Classe I durante tutte le procedure di funzionamento.

LUCE LASER - EVITARE L'ESPOSIZIONE DIRETTA DEGLI OCCHI.

Non puntare il laser o lasciare che la luce laser diretta o riflessa sia rivolta verso altre persone o oggetti riflettenti.



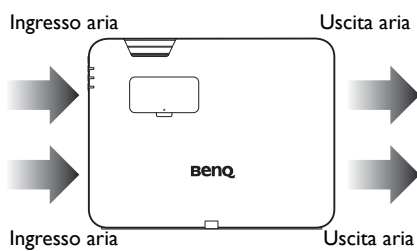
La luce diretta o riflessa può essere pericolosa per occhi e pelle.

È presente un potenziale rischio agli occhi per l'esposizione alla radiazione laser nel caso non siano seguite le istruzioni incluse.

Attenzione, l'uso di controlli o regolazioni o prestazioni delle procedure diverse da quelle specificate nel presente documento possono causare l'esposizione a radiazioni pericolose.

Avviso sul raffreddamento

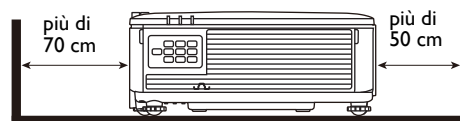
Ventilazione



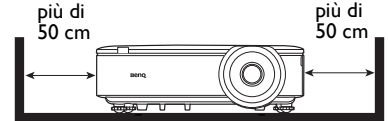
Precauzioni per l'installazione

Per una corretta ventilazione del proiettore, assicurarsi di lasciare dello spazio attorno al proiettore come mostrato nell'immagine di seguito:

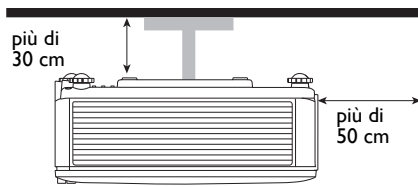
• Tavolo



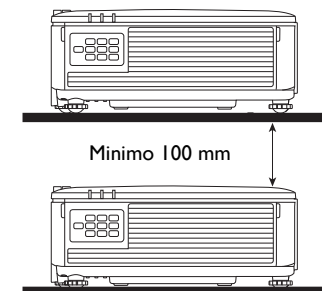
• Tavolo



• Soffitto



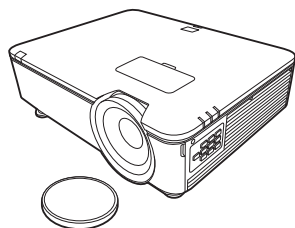
• Su scaffale



- Evitare di utilizzare il proiettore in uno spazio limitato o non ben ventilato.
- La durata della sorgente luminosa è soggetta all'uso del proiettore inclinato a una angolazione superiore a $\pm 15^\circ$.

Informazioni sul prodotto

Contenuto della confezione



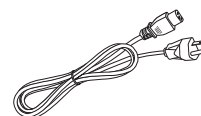
Proiettore



Batterie e telecomando



Guida all'installazione

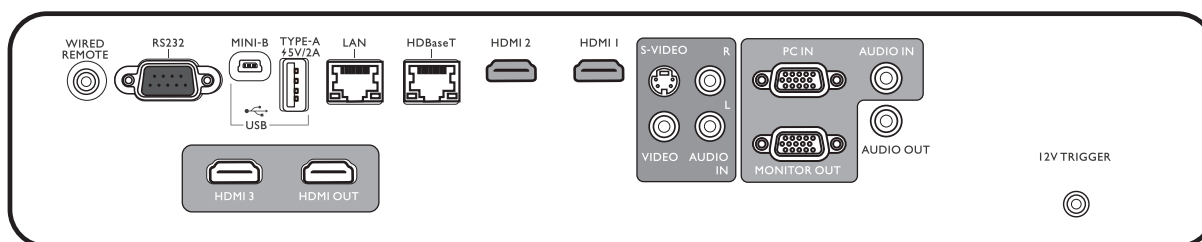


Cavo di alimentazione

Specifiche tecniche

	LU950/LU951	LU951ST
Sistema di visualizzazione	1-CHIP DMD	
Risoluzione	1920 (O) x 1200 (V) WUXGA	
Sorgente di illuminazione	Diodo laser	
Rapporto di proiezione	1,36 ~ 2,18	0,81 ~ 0,89
Consumo energetico	530 W (Massimo); < 0,5 W (Standby)	
Dimensioni	490 mm (L) x 159 mm (A) x 380 mm (P)	
Peso	9,4 Kg (20,7 lbs)	

Terminale di controllo



• WIRED REMOTE

Per il collegamento a un telecomando cablato.

• RS232

Interfaccia D-sub a 9-pin standard per il collegamento al sistema di controllo PC e la manutenzione del proiettore.

• USB MINI-B

Solo per l'aggiornamento firmware.

• USB TYPE A

Supporta l'uscita 5V/2A.

• LAN

Per il collegamento al cavo Ethernet RJ45 Cat5/Cat6 per controllare il proiettore mediante la rete.

• HDBaseT

Per il collegamento di un cavo RJ45 Cat5/Cat6 per l'invio di video in alta definizione non compressi (HD).

• HDMI 2

Per il collegamento a una sorgente HDMI.

• HDMI 1

Per il collegamento a una sorgente HDMI.

• VIDEO

Per il collegamento a una sorgente video composita.

• S-VIDEO

Per il collegamento a una sorgente S-Video.

• AUDIO IN L/R

Per il collegamento a una sorgente di ingresso audio mediante un cavo audio o audio L/R.

• PC IN

Porta VGA a 15-pin per il collegamento a una sorgente RGB o PC.

• MONITOR OUT

Per il collegamento a altre apparecchiature di visualizzazione per la riproduzione simultanea. (Usato con la porta **PC IN**.)

• **AUDIO IN**

Per il collegamento a una sorgente di ingresso audio mediante un cavo audio. (Usato con la porta **PC IN**.)

• **AUDIO OUT**

Per il collegamento a un altoparlante o cuffia.

• **12V TRIGGER**

Attiva i dispositivi esterni, ad esempio schermi elettrici o controllo delle luci, ecc.

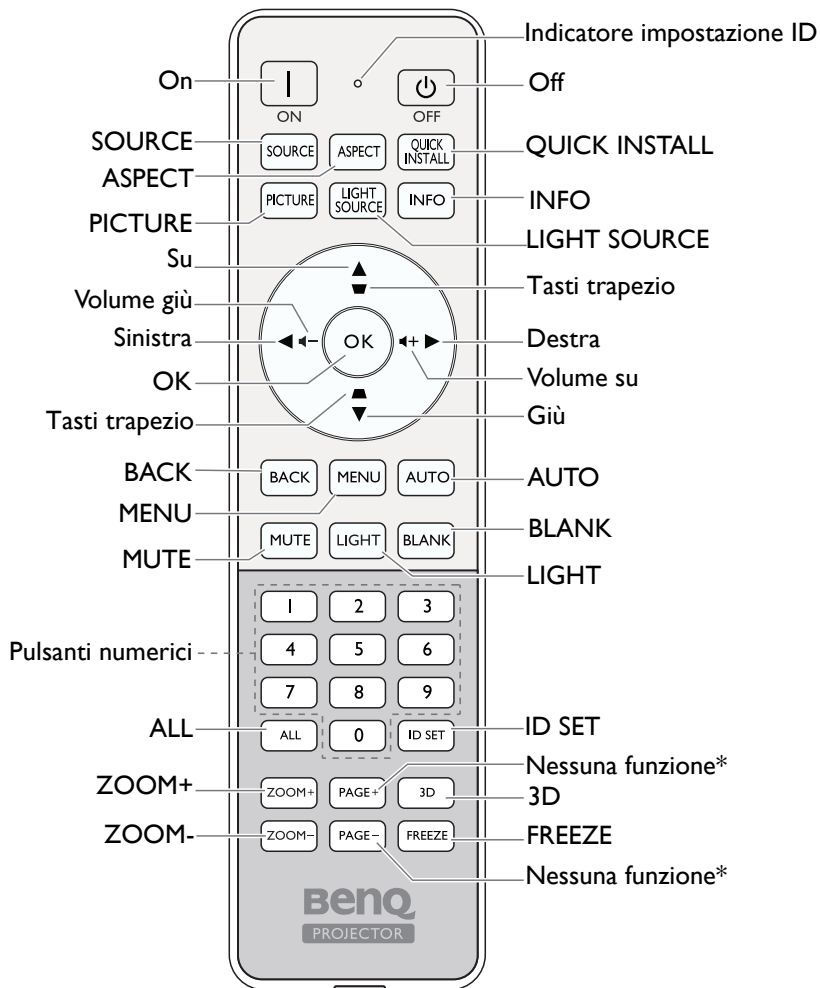
• **HDMI 3**

Per il collegamento a una sorgente HDMI.

• **HDMI OUT**

Per il collegamento a altre apparecchiature di visualizzazione per la riproduzione simultanea. (Usato con la porta **HDMI 3**.)

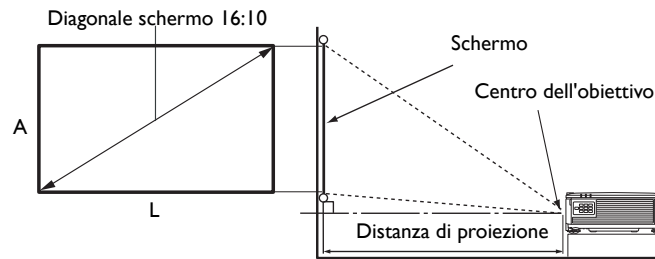
Telecomando



* Questo pulsante non è disponibile per questo modello.

Installazione

Dimensioni di proiezione



Le proporzioni dello schermo sono 16:10 e l'immagine proiettata è 16:10

LU950/LU951

Diagonale		Dimensioni schermo		Distanza dallo schermo (mm)		
Pollici	mm	L (mm)	A (mm)	Lunghezza minima	Media	Lunghezza massima
				(zoom massimo)		(zoom minimo)
30	762	646	404	879	1144	1409
40	1016	862	538	1172	1525	1878
50	1270	1077	673	1465	1906	2348
60	1524	1292	808	1758	2287	2817
80	2032	1723	1077	2343	3050	3756
90	2286	1939	1212	2636	3431	4226
100	2540	2154	1346	2929	3812	4696
110	2794	2369	1481	3222	4194	5165
120	3048	2585	1615	3515	4575	5635
130	3302	2800	1750	3808	4956	6104
140	3556	3015	1885	4101	5337	6574
150	3810	3231	2019	4394	5719	7043
160	4064	3446	2154	4687	6100	7513
170	4318	3662	2289	4980	6481	7982
180	4572	3877	2423	5273	6862	8452
190	4826	4092	2558	5566	7244	8922
200	5080	4308	2692	5859	7625	9391
250	6350	5385	3365	7323	9531	11739
300	7620	6462	4039	8788	11437	14087

LU951ST

Dimensioni schermo			Distanza dallo schermo (mm)			
Diagonale		L (mm)	A (mm)	Lunghezza minima	Media	Lunghezza massima
Pollici	mm			(zoom massimo)		(zoom minimo)
30	762	646	404	523	549	575
40	1016	862	538	698	732	767
50	1270	1077	673	872	915	958
60	1524	1292	808	1047	1098	1150
80	2032	1723	1077	1396	1465	1534
90	2286	1939	1212	1570	1648	1725
100	2540	2154	1346	1745	1831	1917
110	2794	2369	1481	1919	2014	2109
120	3048	2585	1615	2094	2197	2300
130	3302	2800	1750	2268	2380	2492
140	3556	3015	1885	2443	2563	2684
150	3810	3231	2019	2617	2746	2875
160	4064	3446	2154	2791	2929	3067
170	4318	3662	2289	2966	3112	3259
180	4572	3877	2423	3140	3295	3451
190	4826	4092	2558	3315	3479	3642
200	5080	4308	2692	3489	3662	3834
250	6350	5385	3365	4362	4577	4792
300	7620	6462	4039	5234	5492	5751



- Per ottimizzare la qualità di proiezione, si consiglia di eseguire la proiezione all'interno dell'area non grigia.

- Tutte le misurazioni sono approssimative e possono variare dalle dimensioni effettive.

Se si desidera installare in modo permanente il proiettore, BenQ consiglia di controllare fisicamente le dimensioni delle immagini proiettate e la distanza utilizzando il proiettore sul posto prima di procedere all'operazione, in modo da valutare le caratteristiche ottiche del dispositivo. In questo modo è possibile determinare la posizione di montaggio più adatta all'installazione.



- L'installazione a soffitto deve essere eseguita da un professionista. Contattare il fornitore per ulteriori informazioni. Si consiglia di non installare da soli il proiettore.

- Utilizzare il proiettore esclusivamente su una superficie piana e solida. In caso di caduta del proiettore si possono verificare serie lesioni e danni.

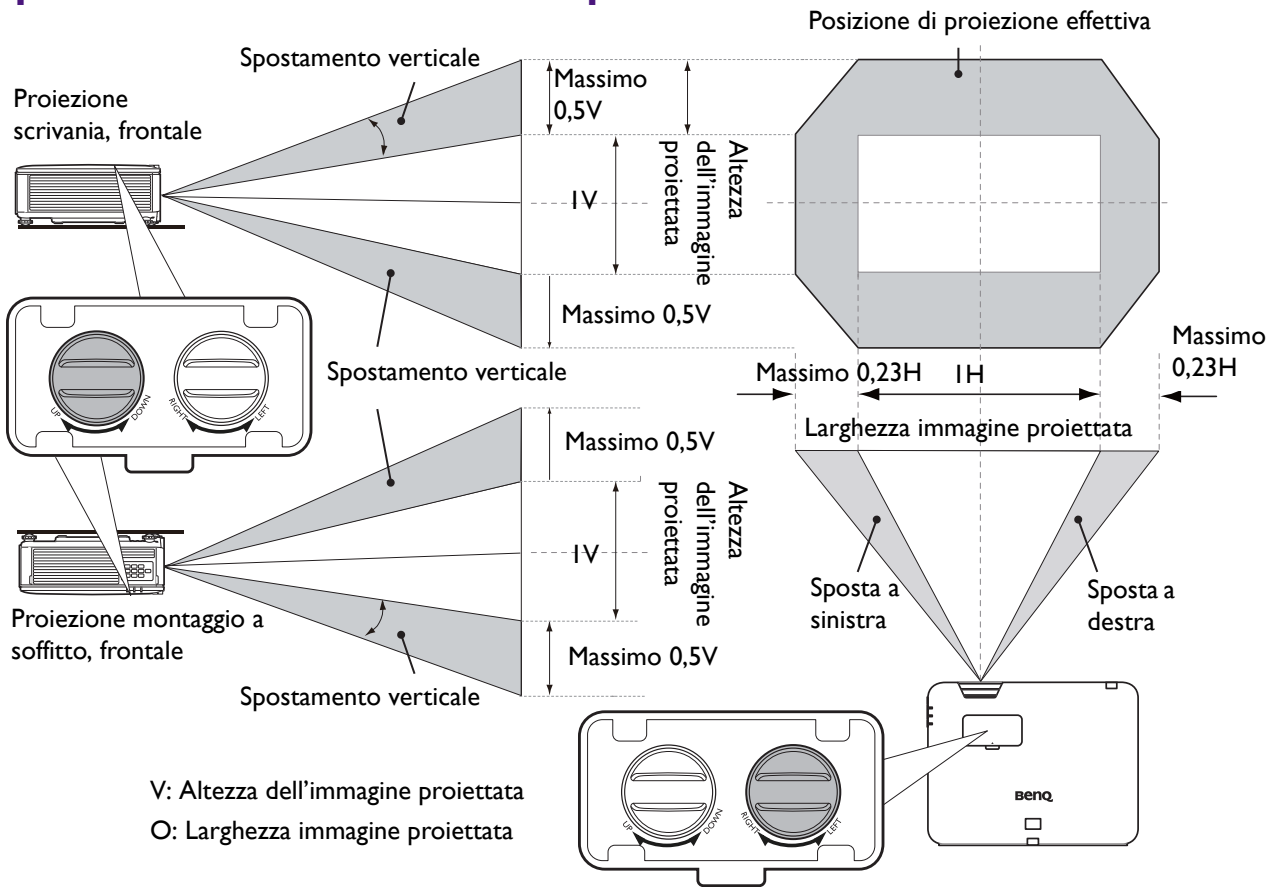
- Non usare il proiettore in un ambiente con temperature estreme. Il proiettore deve essere utilizzato a temperature comprese tra 32° Fahrenheit (0° Celsius) e 104° Fahrenheit (40° Celsius).

- In caso di esposizione del proiettore a umidità, polvere e fumo, lo schermo si potrebbe danneggiare.

- Non coprire le aperture di ventilazione del proiettore. Una corretta ventilazione è necessaria per dissipare il calore. In caso di aperture di ventilazione ostruite, il proiettore si potrebbe danneggiare.

Regolazione della posizione del proiettore

Spostamento dell'obiettivo di proiezione



Indicatori LED

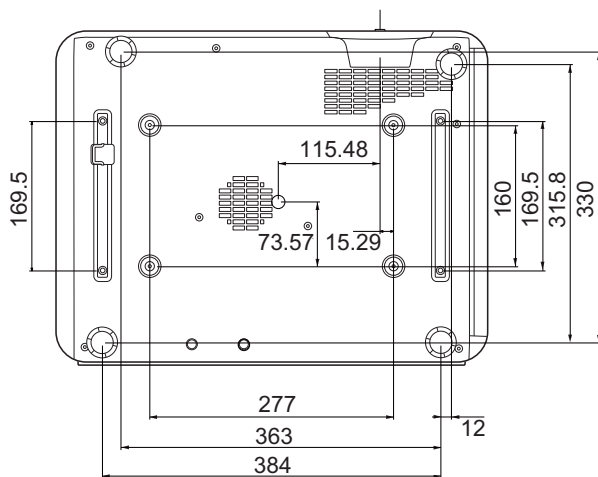
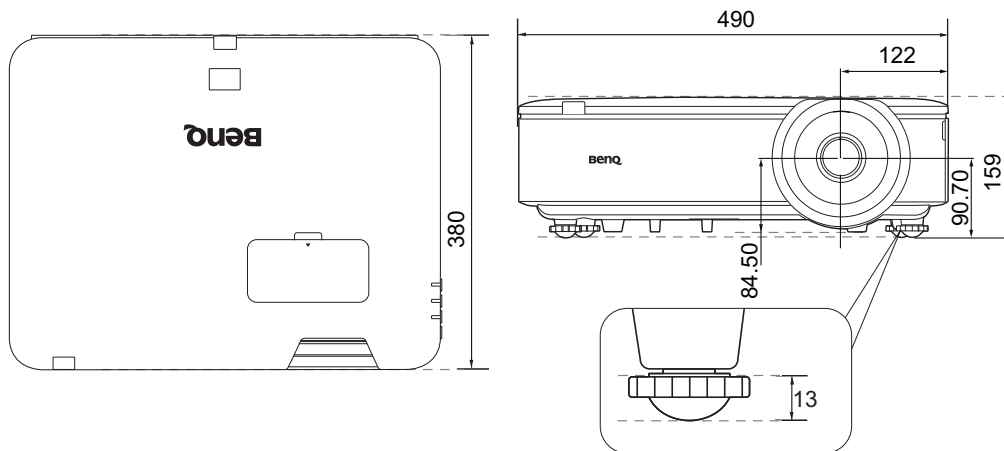
Luce			Stato e descrizione
POWER	TEMP	LIGHT	
Eventi relativi all'alimentazione			
			Modalità standby
			Accensione
			Funzionamento normale
			Spegnimento con raffreddamento normale
			Download
			Avvio ruota cromatica non riuscito
			Avvio ruota fosforo non riuscito
			Burn-in ATTIVO
			Burn-in DISATTIVO
Eventi sorgente luminosa			
			Vita sorgente luminosa esaurita
			Errore funzionamento normale della sorgente luminosa
			La sorgente luminosa non si accende
Eventi relativi alla temperatura			
			Errore ventola 1 (la velocità effettiva della ventola è al di sopra della velocità desiderata)
			Errore ventola 2 (la velocità effettiva della ventola è al di sopra della velocità desiderata)
			Errore ventola 3 (la velocità effettiva della ventola è al di sopra della velocità desiderata)
			Errore ventola 4 (la velocità effettiva della ventola è al di sopra della velocità desiderata)
			Errore ventola 5 (la velocità effettiva della ventola è al di sopra della velocità desiderata)
			Errore ventola 6 (la velocità effettiva della ventola è al di sopra della velocità desiderata)
			Errore ventola 7 (la velocità effettiva della ventola è al di sopra della velocità desiderata)
			Errore ventola 8 (la velocità effettiva della ventola è al di sopra della velocità desiderata)
			Errore temperatura 1 (temperatura oltre il limite)
			Errore apertura sensore di temperatura 1
			Errore corto sensore di temperatura 1
			Errore connessione temperatura IC #1 I2C

	: Off	: arancione acceso : arancione lampeggiante	: verde acceso : verde lampeggiante	: rosso acceso : rosso lampeggiante
--	-------	--	--	--

Dimensioni

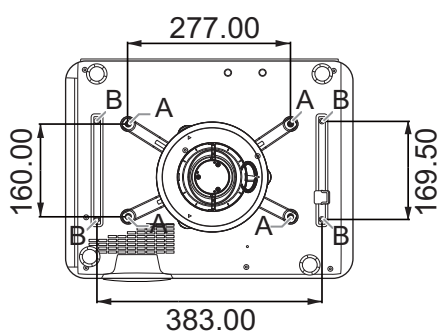
Dimensioni del proiettore

490 mm (L) x 159 mm (A) x 380 mm (P)



Unità: mm

Schema per l'installazione a soffitto

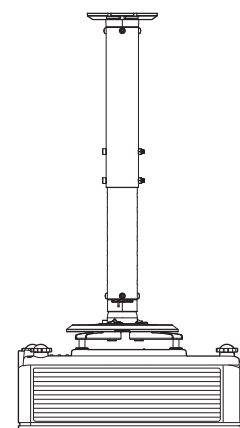
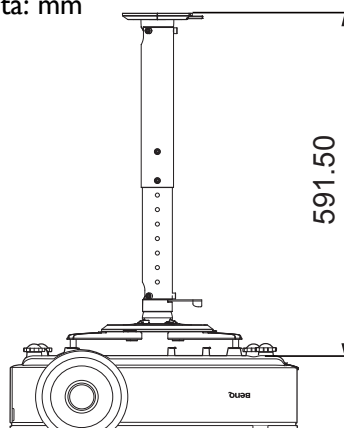
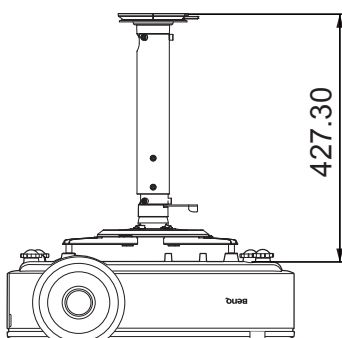


A: Installazione a soffitto BenQ CMG3 (5J.JAM10.001)

Vite per installazione a soffitto: M4
(Max. L = 25 mm; Min. L = 20 mm)

B: Fori di installazione di terze parti
Vite: M6 (Max L = 8 mm)

Unità: mm

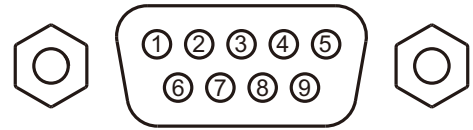


Comando RS232

Assegnazione pin RS232

N.	Seriale
1	NC
2	RX
3	TX
4	NC
5	GND

N.	Seriale
6	NC
7	RTSZ
8	CTSZ
9	NC



Funzione	Tipo	Operazione	ASCII
Alimentazione	Scrittura	Accensione	<CR>*pow=on#<CR>
	Scrittura	Spegnimento	<CR>*pow=off#<CR>
	Lettura	Stato alimentazione	<CR>*pow=?#<CR>
Selezione sorgente	Scrittura	COMPUTER/YPbPr	<CR>*sour=RGB#<CR>
	Scrittura	HDMI	<CR>*sour=hdmi#<CR>
	Scrittura	HDMI 2	<CR>*sour=hdmi2#<CR>
	Scrittura	HDMI 3	<CR>*sour=hdmi3#<CR>
	Scrittura	Composite	<CR>*sour=vid#<CR>
	Scrittura	S-Video	<CR>*sour=svid#<CR>
	Scrittura	HDbaseT	<CR>*sour=hdbaset#<CR>
	Lettura	Sorgente corrente	<CR>*sour=?#<CR>
Controllo audio	Scrittura	Mute attivo	<CR>*mute=on#<CR>
	Scrittura	Mute disattivo	<CR>*mute=off#<CR>
	Lettura	Stato mute	<CR>*mute=?#<CR>
	Scrittura	Volume +	<CR>*vol=+#<CR>
	Scrittura	Volume -	<CR>*vol=-#<CR>
	Scrittura	Livello volume per il cliente	<CR>*vol=value#<CR>
	Lettura	Stato volume	<CR>*vol=?#<CR>
Audio selezione sorgente	Scrittura	Passthrough audio disattivo	<CR>*audiosour=off#<CR>
	Scrittura	Audio-Computer1	<CR>*audiosour=RGB#<CR>
	Scrittura	Audio-Video/S-Video	<CR>*audiosour=vid#<CR>
	Scrittura	Audio-HDMI	<CR>*audiosour=hdmi#<CR>
	Scrittura	Audio-HDMI2	<CR>*audiosour=hdmi2#<CR>
	Scrittura	Audio-HDMI3	<CR>*audiosour=hdmi3#<CR>
	Lettura	Stato audio superato	<CR>*audiosour=?#<CR>
Modalità immagine	Scrittura	Presentazione	<CR>*appmod=preset#<CR>
	Scrittura	sRGB	<CR>*appmod=srgb#<CR>
	Scrittura	Luminoso	<CR>*appmod=bright#<CR>
	Scrittura	DICOM	<CR>*appmod=dicom#<CR>
	Scrittura	Vivace	<CR>*appmod=vivid#<CR>
	Scrittura	Uten1	<CR>*appmod=user1#<CR>
	Scrittura	Uten2	<CR>*appmod=user2#<CR>
	Scrittura	3D	<CR>*appmod=threed#<CR>
	Lettura	Modalità immagine	<CR>*appmod=?#<CR>

Funzione	Tipo	Operazione	ASCII
Impostazioni immagine	Scrittura	Contrasto +	<CR>*con=+#<CR>
	Scrittura	Contrasto -	<CR>*con=#<CR>
	Letture	Valore contrasto	<CR>*con=?#<CR>
	Scrittura	Luminosità +	<CR>*bri=+#<CR>
	Scrittura	Luminosità -	<CR>*bri=#<CR>
	Letture	Valore luminosità	<CR>*bri=?#<CR>
	Scrittura	Colori +	<CR>*color=+#<CR>
	Scrittura	Colori -	<CR>*color=#<CR>
	Letture	Valore colore	<CR>*color=?#<CR>
	Scrittura	Nitidezza +	<CR>*sharp=+#<CR>
	Scrittura	Nitidezza -	<CR>*sharp=#<CR>
	Letture	Valore nitidezza	<CR>*sharp=?#<CR>
	Scrittura	Temperatura colore - Caldo	<CR>*ct=warm#<CR>
	Scrittura	Colore temperatura - Normale	<CR>*ct=normal#<CR>
	Scrittura	Temperatura colore - Freddo	<CR>*ct=cool#<CR>
	Letture	Stato temperatura colore	<CR>*ct=?#<CR>
	Scrittura	Proporzioni 4:3	<CR>*asp=4:3#<CR>
	Scrittura	Proporzioni 16:9	<CR>*asp=16:9#<CR>
	Scrittura	Proporzioni 16:10	<CR>*asp=16:10#<CR>
	Scrittura	Proporzioni automatiche	<CR>*asp=AUTO#<CR>
	Scrittura	Formato reale	<CR>*asp=REAL#<CR>
	Letture	Stato proporzioni	<CR>*asp=?#<CR>
	Scrittura	Zoom avanti digitale	<CR>*zoomI#<CR>
	Scrittura	Zoon indietro digitale	<CR>*zoomO#<CR>
Scrittura	Auto	<CR>*auto#<CR>	
Brilliant Color	Scrittura	Colori brillanti on	<CR>*BC=on#<CR>
	Scrittura	Colori brillanti off	<CR>*BC=off#<CR>
	Letture	Stato Colori brillanti	<CR>*BC=?#<CR>
Impostazioni di funzionamento	Scrittura	Posizione proiettore - Frontale tavolo	<CR>*pp=FT#<CR>
	Scrittura	Posizione proiettore - Poster. tavolo	<CR>*pp=RE#<CR>
	Scrittura	Posizione proiettore - Poster. soffitto	<CR>*pp=RC#<CR>
	Scrittura	Posizione proiettore - Frontale soffitto	<CR>*pp=FC#<CR>
	Scrittura	Ricerca automatica veloce	<CR>*QAS=on#<CR>
	Scrittura	Ricerca automatica veloce	<CR>*QAS=off#<CR>
	Letture	Stato ricerca automatica veloce	<CR>*QAS=?#<CR>
	Letture	Stato posizione proiettore	<CR>*pp=?#<CR>
	Scrittura	Accensione diretta - Attivo	<CR>*directpower=on#<CR>
	Scrittura	Accensione diretta - Disattivo	<CR>*directpower=off#<CR>
	Letture	Stato Accensione diretta	<CR>*directpower=?#<CR>
	Scrittura	Accensione su ricezione segnale - Attivo	<CR>*autopower=on#<CR>
	Scrittura	Accensione su ricezione segnale - Disattivo	<CR>*autopower=off#<CR>
	Letture	Accensione su ricezione segnale - Stato	<CR>*autopower=?#<CR>
	Scrittura	Impostazioni standby - Rete attiva	<CR>*standbynet=on#<CR>
	Scrittura	Impostazioni standby - Rete disattiva	<CR>*standbynet=off#<CR>
	Letture	Stato Impostazioni standby - Rete	<CR>*standbynet=?#<CR>

Funzione	Tipo	Operazione	ASCII
Impostazioni di funzionamento	Scrittura	Impostazioni standby - Uscita monitor attiva	<CR>*standbymnt=on#<CR>
	Scrittura	Impostazioni standby - Uscita monitor disattiva	<CR>*standbymnt=off#<CR>
	Lettura	Impostazioni standby - Stato Uscita monitor	<CR>*standbymnt=?#<CR>
Baud rate	Scrittura	9600	<CR>*baud=9600#<CR>
	Scrittura	14400	<CR>*baud=14400#<CR>
	Scrittura	19200	<CR>*baud=19200#<CR>
	Scrittura	38400	<CR>*baud=38400#<CR>
	Scrittura	57600	<CR>*baud=57600#<CR>
	Scrittura	115200	<CR>*baud=115200#<CR>
	Lettura	Baud Rate corrente	<CR>*baud=?#<CR>
Controllo lampada	Lettura	Ora utilizzo lampada	<CR>*ltim=?#<CR>
	Scrittura	Modalità normale	<CR>*lampm=lnor#<CR>
	Scrittura	Modalità ECO	<CR>*lampm=eco#<CR>
	Scrittura	Mod. riduz	<CR>*lampm=dimming#<CR>
	Scrittura	Mod person	<CR>*lampm=custom#<CR>
	Scrittura	Livello luce per modalità personalizzata	<CR>*lampcustom=value#<CR>
	Lettura	Stato livello luce per modalità personalizzata	<CR>*lampcustom=?#<CR>
	Lettura	Stato modalità lampada	<CR>*lampm=?#<CR>
Varie	Lettura	Nome modello	<CR>*modelname=?#<CR>
	Scrittura	Inattività attiva	<CR>*blank=on#<CR>
	Scrittura	Inattività disattiva	<CR>*blank=off#<CR>
	Lettura	Stato inattività	<CR>*blank=?#<CR>
	Scrittura	Fermo immagine attivo	<CR>*freeze=on#<CR>
	Scrittura	Fermo immagine disattivato	<CR>*freeze=off#<CR>
	Lettura	Stato fermo immagine	<CR>*freeze=?#<CR>
	Scrittura	Menu attivo	<CR>*menu=on#<CR>
	Scrittura	Menu disattivo	<CR>*menu=off#<CR>
	Scrittura	Su	<CR>*up#<CR>
	Scrittura	Giù	<CR>*down#<CR>
	Scrittura	Destra	<CR>*right#<CR>
	Scrittura	Sinistra	<CR>*left#<CR>
	Scrittura	Invio	<CR>*enter#<CR>
	Scrittura	Sincronizzazione 3D disattiva	<CR>*3d=off#<CR>
	Scrittura	Auto 3D	<CR>*3d=auto#<CR>
	Scrittura	Sincronizzazione 3D in alto in basso	<CR>*3d=tb#<CR>
	Scrittura	Sequenza fotogrammi sincronizzazione 3D	<CR>*3d=fs#<CR>
	Scrittura	Frame packing 3D	<CR>*3d=fp#<CR>
	Scrittura	3D affiancato	<CR>*3d=sbs#<CR>
	Scrittura	Invertitore 3D disattivato	<CR>*3d=da#<CR>
	Scrittura	Invertitore 3D	<CR>*3d=iv#<CR>
	Lettura	Stato Sincronizzazione 3D	<CR>*3d=?#<CR>
	Scrittura	Ricevitore telecomando - frontale + posteriore	<CR>*rr=fr#<CR>
	Scrittura	Ricevitore telecomando - frontale	<CR>*rr=f#<CR>
	Scrittura	Ricevitore telecomando - posteriore	<CR>*rr=r#<CR>

Funzione	Tipo	Operazione	ASCII
Varie	Lettura	Stato ricevitore telecomando	<CR>*rr=?#<CR>
	Scrittura	Scopri dispositivo AMX - Attivo	<CR>*amxdd=on#<CR>
	Scrittura	Scopri dispositivo AMX - Disattivo	<CR>*amxdd=off#<CR>
	Lettura	Stato Scopri dispositivo AMX	<CR>*amxdd=?#<CR>
	Lettura	Indirizzo MAC	<CR>*macaddr=?#<CR>
	Scrittura	Modalità altitudine elevata attiva	<CR>*Highaltitude=on#<CR>
	Scrittura	Modalità altitudine elevata disattiva	<CR>*Highaltitude=off#<CR>
	Lettura	Stato modalità altitudine elevata	<CR>*Highaltitude=?#<CR>

Содержание

Важные инструкции по технике безопасности	88
Уведомление	89
Уведомление о лазере	89
Уведомление об охлаждении	89
Информация о продукте	90
Комплект поставки	90
Технические характеристики	90
Разъемы управления	90
Пульт дистанционного управления (ДУ)	91
Установка	92
Проекционные размеры	92
Регулировка положения проектора	94
Индикаторы	95
Размеры	96
Размеры проектора	96
Схема крепления на потолке	96
Команда RS-232	97
Назначение контактов разъема RS-232	97
Regulatory Statements	129

Для получения самой последней версии Руководства пользователя / Руководства по установке посетите указанный ниже веб-сайт:

<http://business-display.benq.com/>

Важные инструкции по технике безопасности

Этот проектор разработан и протестирован в соответствии с последними стандартами по безопасности оборудования для информационных технологий. Тем не менее, для обеспечения безопасного использования этого продукта необходимо выполнять инструкции, указанные в руководстве пользователя / руководстве по установке и на самом продукте.

1. **Перед работой с проектором прочтите руководство пользователя / руководство по установке.** Сохраните его для наведения справок в будущем.
2. **Не смотрите в объектив во время работы проектора.** Интенсивный луч света опасен для зрения.
3. **Техническое обслуживание должны проводить специалисты сервисного центра.**
4. **Когда включен источник света проектора, обязательно открывайте затвор объектива (если есть) или снимайте крышку объектива.**
5. Во время работы источник света очень сильно нагревается.
6. В некоторых странах напряжение в сети НЕ стабильно. Проектор рассчитан на безотказную эксплуатацию при напряжении сети питания перем. тока от 100 до 240 В, однако сбои питания и скачки напряжения свыше ± 10 В могут привести к выходу проектора из строя. **Поэтому при опасности сбоев питания или скачков напряжения рекомендуется подключать проектор через стабилизатор напряжения, фильтр для защиты от перенапряжения или источник бесперебойного питания (UPS).**
7. Когда проектор работает, не загромождайте объектив никакими другими предметами, так как это может привести к их нагреванию и деформации, а также к возгоранию. Для временного выключения источник света используйте функцию "Пустой экран".
8. Не используйте источники света после истечения установленного изготовителем срока их службы.
9. Не ставьте это устройство на неустойчивую тележку, подставку или стол. Устройство может упасть и серьезно повредиться.
10. Не пытайтесь разбирать этот проектор. Внутри проектора - опасное для жизни высокое напряжение, которое может стать причиной смерти при случайном контакте с деталями, находящимися под напряжением.
Ни при каких обстоятельствах нельзя отвинчивать или снимать никакие другие крышки. Все виды технического обслуживания должны проводиться в сервисном центре.
11. Не перекрывайте вентиляционные отверстия.
 - Не ставьте этот проектор на одеяло, постельные принадлежности и другие мягкие поверхности.
 - Не накрывайте проектор тканью и любыми другими предметами.
 - Не размещайте легко воспламеняющиеся предметы рядом с проектором.Нарушение вентиляции проектора через эти отверстия может привести к перегреву проектора и вызвать возгорание.
12. Не устанавливайте проектор вертикально на торец. Из-за этого проектор может упасть и выйти из строя либо травмировать пользователя.
13. Не вставляйте на проектор и не ставьте на него никакие предметы. Помимо опасности повреждения самого проектора, это может привести к несчастному случаю и травме.
14. Во время работы проектора вы можете ощутить поток теплого воздуха со специфическим запахом из вентиляционной решетки проектора. Это - обычное явление и не является неисправностью устройства.
15. Не ставьте емкости с жидкостью на проектор или рядом с ним. Попадание жидкости внутрь корпуса может привести к выходу проектора из строя. В случае попадания жидкости в проектор выньте вилку шнура питания из розетки и обратитесь в сервисный центр BenQ для обслуживания.
16. Это устройство должно быть заземлено.
17. Не устанавливайте проектор в следующих местах:
 - В местах с плохой вентиляцией или в ограниченном пространстве. Расстояние от стен должно быть не менее 50 см, а вокруг проектора должна обеспечиваться свободная циркуляция воздуха.
 - В местах, где температура может повыситься, например, в салоне автомобиля с закрытыми окнами.
 - В местах с повышенной влажностью, содержанием пыли или сигаретного дыма - это может привести к загрязнению оптических компонентов, сократить срок службы проектора и снизить яркость изображения.
 - Вблизи от датчиков пожарной сигнализации.
 - В местах с температурой окружающего воздуха выше 40°C / 104°F.
 - В местах, расположенных на высоте свыше 3000 м (10000 футов).

Уведомление

Уведомление о лазере



Этот символ означает потенциальную опасность попадания лазерного излучения в глаза при несоблюдении инструкций.

ЛАЗЕРНОЕ УСТРОЙСТВО КЛАССА 1



Это лазерное устройство сконструировано в соответствии с требованиями Класса 1 для работы во всех режимах.

ЛАЗЕРНЫЙ СВЕТ - НЕ НАПРАВЛЯЙТЕ ПРЯМО В ГЛАЗА.

Не направляйте лазер и не допускайте попадания прямого или отраженного лазерного света на других людей или на отражающие предметы.

Прямой или рассеянный свет может причинить вред глазам и коже.

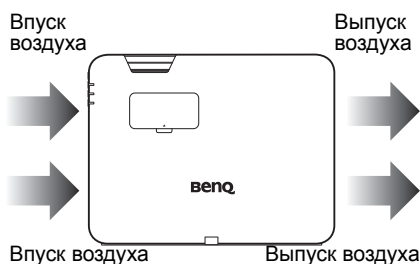


Несоблюдение приведенных здесь инструкций может привести к повреждению глаз из-за попадания в них лазерного излучения.

Внимание! Нарушение описанных здесь правил и порядка управления и регулировки может подвергнуть пользователя опасному радиоактивному облучению.

Уведомление об охлаждении

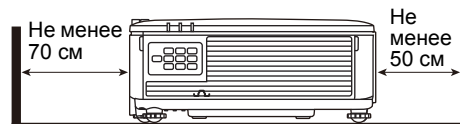
Вентиляция



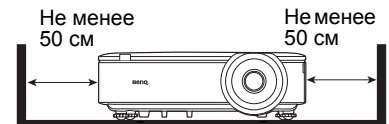
Меры предосторожности при установке

Для надлежащей вентиляции проектора обязательно оставляйте свободное пространство вокруг проектора, как показано на следующей рисунке:

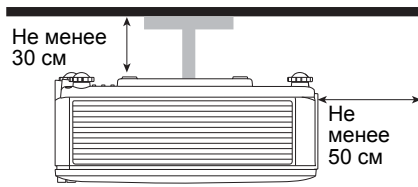
• Стол



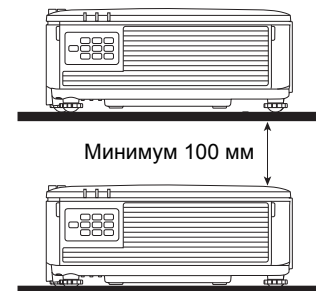
• Стол



• Потолок



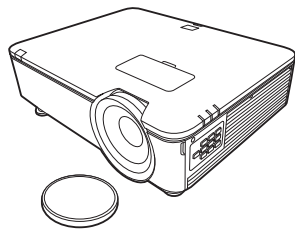
• Монтаж в стойке



- Не используйте проектор в помещении с плохой вентиляцией или в тесном пространстве.
- Использование проектора в наклонном положении под углом более ± 15 градусов может сократить срок службы источника света.

Информация о продукте

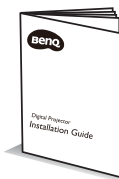
Комплект поставки



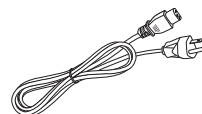
Проектор



Пульт ДУ с
батареями



Руководство по
установке

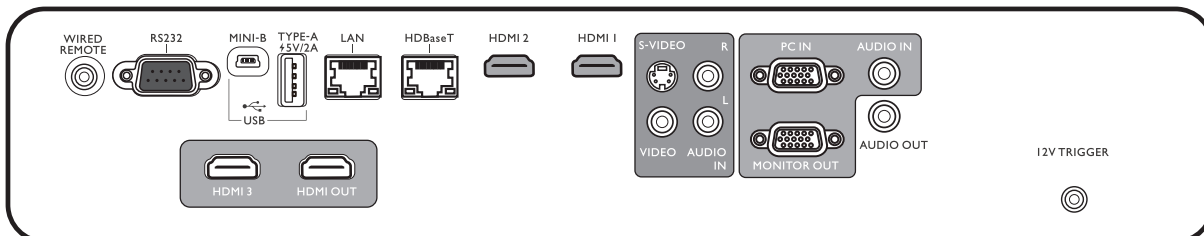


Шнур питания

Технические характеристики

	LU950/LU951	LU951ST
Проекционная система	Однокристальное цифровое микродзеркальное устройство (DMD)	
Разрешение	1920 (гор.) x 1200 (верт.) WUXGA	
Источник света	Лазерный диод	
Коэффициент расстояния проекции	1,36 ~ 2,18	0,81 ~ 0,89
Потребляемая мощность	530 Вт (макс.); < 0,5 Вт (в режиме ожидания)	
Размеры	490 мм (Ш) x 159 мм (В) x 380 мм (Г)	
Масса	9,4 кг (20,7 фунт.)	

Разъемы управления



• WIRED REMOTE

Для подключения проводного пульта ДУ.

• RS232

Стандартный 9-контактный интерфейс типа D-sub для подключения к системе управления ПК и управления проектором.

• USB MINI-B

Только для обновления микропрограммы.

• USB TYPE A

Поддерживает выход 5 В/2 А.

• LAN

Для подключения кабеля Ethernet с разъемом RJ-45 (Кат. 5/Кат. 6) для управления проектором по сети.

• HDBaseT

Для подключения кабеля Ethernet с разъемом RJ-45 (Кат. 5/Кат. 6) для ввода несжатого видео высокой четкости (HD).

• HDMI 2

Подключение источника HDMI.

• HDMI 1

Подключение источника HDMI.

• VIDEO

Подключение к источнику композитного видеосигнала.

• S-VIDEO

Подключение к источнику S-Video.

• AUDIO IN L/R

Подключение к входному источнику звука по звуковому кабелю или звуковому кабелю с левым/правым каналами.

• **PC IN**

15-контактный разъем VGA для подключения к источнику сигнала RGB или ПК.

• **MONITOR OUT**

Подключение другого устройства отображения для одновременного воспроизведения. (Используется с разъемом **PC IN**.)

• **AUDIO IN**

Подключение входного источника звука по звуковому кабелю. (Используется с разъемом **PC IN**.)

• **AUDIO OUT**

Подключение динамика или гарнитуры.

• **12V TRIGGER**

Для активации внешних устройств, например, экрана с электрическим приводом, устройства управления освещением и т.д.

• **HDMI 3**


Подключение источника HDMI.

• **HDMI OUT**

Подключение другого устройства отображения для одновременного воспроизведения. (Используется с разъемом **HDMI 3**.)

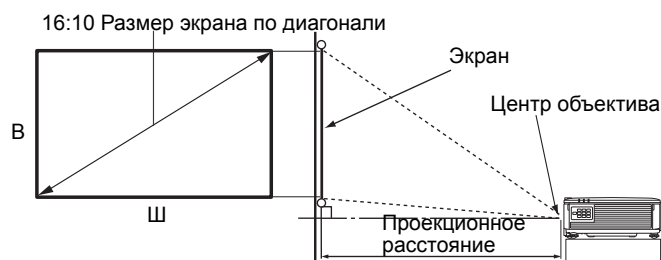
Пульт дистанционного управления (ДУ)



 * Эта кнопка недоступна для этой модели.

Установка

Проекционные размеры



Соотношение сторон экрана - 16:10, соотношение сторон проецируемого изображения - 16:10

LU950/LU951

Размер экрана				Расстояние от экрана (мм)		
Диагональ		Ш (мм)	В (мм)	Мин. расст. (макс. увел.)	Среднее	Макс. расст. (мин. увел.)
Дюйм	мм					
30	762	646	404	879	1144	1409
40	1016	862	538	1172	1525	1878
50	1270	1077	673	1465	1906	2348
60	1524	1292	808	1758	2287	2817
80	2032	1723	1077	2343	3050	3756
90	2286	1939	1212	2636	3431	4226
100	2540	2154	1346	2929	3812	4696
110	2794	2369	1481	3222	4194	5165
120	3048	2585	1615	3515	4575	5635
130	3302	2800	1750	3808	4956	6104
140	3556	3015	1885	4101	5337	6574
150	3810	3231	2019	4394	5719	7043
160	4064	3446	2154	4687	6100	7513
170	4318	3662	2289	4980	6481	7982
180	4572	3877	2423	5273	6862	8452
190	4826	4092	2558	5566	7244	8922
200	5080	4308	2692	5859	7625	9391
250	6350	5385	3365	7323	9531	11739
300	7620	6462	4039	8788	11437	14087

LU951ST

Размер экрана				Расстояние от экрана (мм)		
Диагональ		Ш (мм)	В (мм)	Мин. расст. (макс. увел.)	Среднее	Макс. расст. (мин. увел.)
Дюйм	мм					
30	762	646	404	523	549	575
40	1016	862	538	698	732	767
50	1270	1077	673	872	915	958
60	1524	1292	808	1047	1098	1150
80	2032	1723	1077	1396	1465	1534
90	2286	1939	1212	1570	1648	1725
100	2540	2154	1346	1745	1831	1917
110	2794	2369	1481	1919	2014	2109
120	3048	2585	1615	2094	2197	2300
130	3302	2800	1750	2268	2380	2492
140	3556	3015	1885	2443	2563	2684
150	3810	3231	2019	2617	2746	2875
160	4064	3446	2154	2791	2929	3067
170	4318	3662	2289	2966	3112	3259
180	4572	3877	2423	3140	3295	3451
190	4826	4092	2558	3315	3479	3642
200	5080	4308	2692	3489	3662	3834
250	6350	5385	3365	4362	4577	4792
300	7620	6462	4039	5234	5492	5751



- Для обеспечения оптимального качества проецирования мы советуем проецировать в пределах не серой области.

- Все размеры являются примерными и могут отличаться от фактических. Компания BenQ рекомендует в случае стационарной установки проектора сначала протестировать на месте установки оптимальность выбранных значений проекционного расстояния и размера проецируемого изображения, чтобы учесть реальные допуски оптических характеристик этого проектора. Такое тестирование позволит точно определить оптимальное место установки проектора.



- Установку под потолком должен производить квалифицированный специалист. Дополнительные сведения можно узнать у вашего продавца. Советуем не устанавливать проектор самостоятельно.

- Устанавливайте проектор только на твердой ровной поверхности. Упавший проектор может выйти из строя или причинить пользователю серьезную травму.

- Не используйте проектор при экстремальной температуре. Проектор нужно использовать при температуре в диапазоне от 32 до 104 градусов Фаренгейта (от 0 до 40 градусов Цельсия).

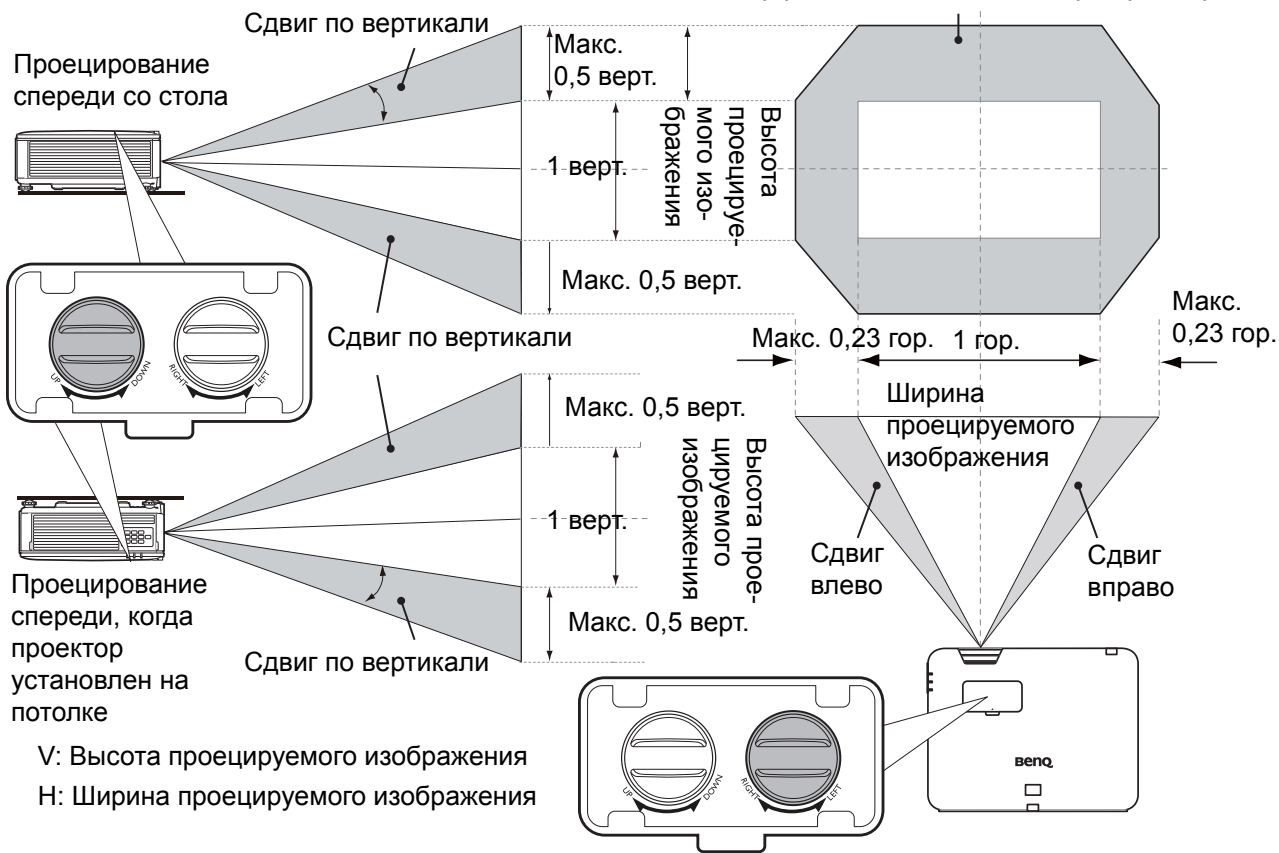
- Если проектор попадет во влажную, пыльную или задымленную среду, то экран повредится.

- Не перекрывайте вентиляционные отверстия на корпусе проектора. Для отвода тепла требуется надлежащая вентиляция. Перекрытие вентиляционных отверстий приведет к неисправности проектора.

Регулировка положения проектора

Сдвиг проекционного объектива

Эффективное положение при проецировании



Индикаторы

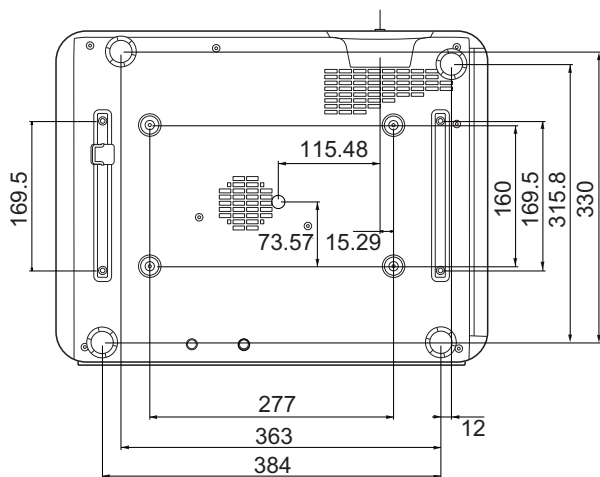
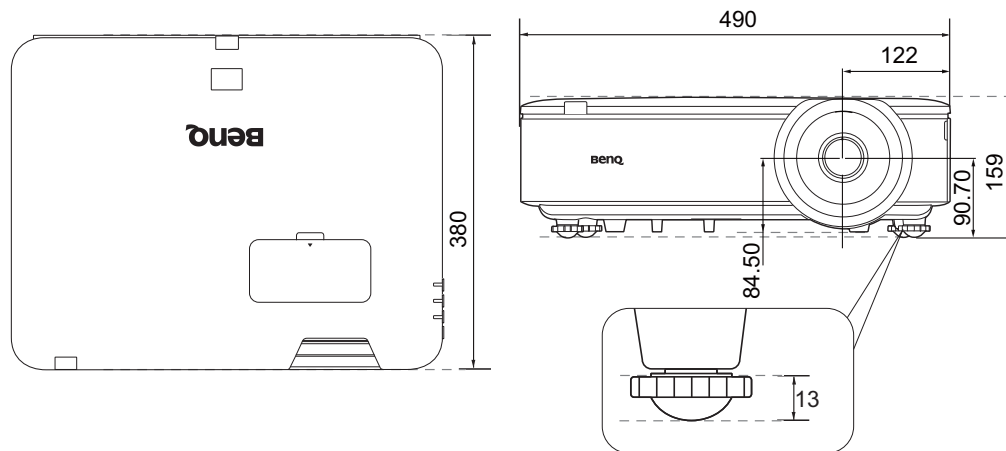
Свечение			Состояние и описание
POWER	TEMP	LIGHT	
События, связанные с питанием			
			Режим ожидания
			Включение питания
			Обычный режим работы
			Обычное охлаждение после выключения питания
			Загрузка
			Сбой при запуске цветового колеса
			Сбой при запуске фосфорного колеса
			ВКЛ. предотвр. выгорания
			ВЫКЛ. предотвр. выгорания
События с источником света			
			Истек срок службы источника света
			Ошибка источника света во время обычной работы
			Источник света не загорается
События, связанные с температурой			
			Ошибка вентилятора 1 (фактическая скорость вращения вентилятора выше заданной)
			Ошибка вентилятора 2 (фактическая скорость вращения вентилятора выше заданной)
			Ошибка вентилятора 3 (фактическая скорость вращения вентилятора выше заданной)
			Ошибка вентилятора 4 (фактическая скорость вращения вентилятора выше заданной)
			Ошибка вентилятора 5 (фактическая скорость вращения вентилятора выше заданной)
			Ошибка вентилятора 6 (фактическая скорость вращения вентилятора выше заданной)
			Ошибка вентилятора 7 (фактическая скорость вращения вентилятора выше заданной)
			Ошибка вентилятора 8 (фактическая скорость вращения вентилятора выше заданной)
			Температура 1, ошибка (температура выше предельной)
			Ошибка термодатчика 1 (обрыв в цепи)
			Ошибка термодатчика 1 (замыкание в цепи)
			Ошибка подключения ИС термодатчика #1 I2C

	: Выкл.	: Горит оранжевым : Мигает оранжевым	: Горит зеленым : Мигает зеленым	: Горит красным : Мигает красным
--	---------	---	-------------------------------------	-------------------------------------

Размеры

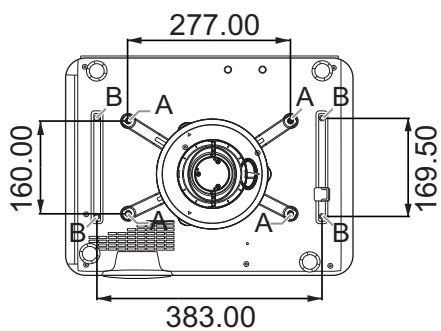
Размеры проектора

490 мм (Ш) x 159 мм (В) x 380 мм (Г)



Единица измерения: мм

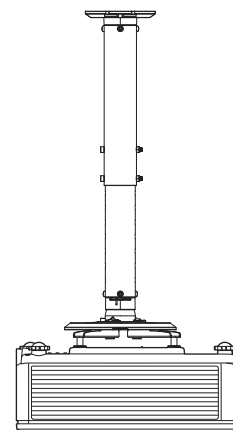
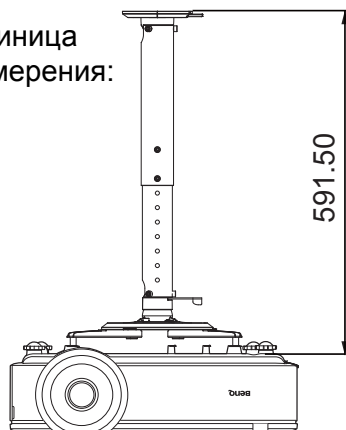
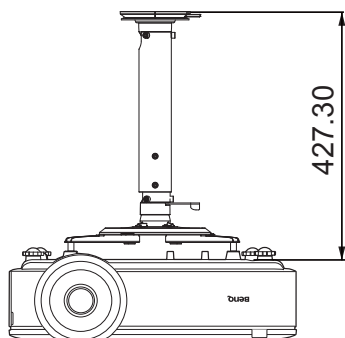
Схема крепления на потолке



A: Потолочное крепление BenQ CMG3 (5J.JAM10.001)
Винт для крепления на потолке: M4
(макс. L = 25 мм; мин. L = 20 мм)

B: Отверстия для крепежных кронштейнов сторонних изготовителей
Винт: M6 (макс. L = 8 мм)

Единица измерения: мм

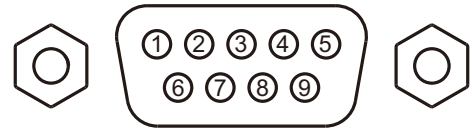


Команда RS-232

Назначение контактов разъема RS-232

№	Последовательный
1	НЗ
2	ПРМ
3	ПРД
4	НЗ
5	ЗЕМЛЯ

№	Последовательный
6	НЗ
7	Запрос на передачу
8	Сброс передачи
9	НЗ



Функция	Тип	Действие	ASCII
Питание	Запись	Вкл. питание	<CR>*pow=on#<CR>
	Запись	Выкл. питание	<CR>*pow=off#<CR>
	Чтение	Состояние питания	<CR>*pow=?#<CR>
Выбор источника	Запись	COMPUTER/YPbPr	<CR>*sour=RGB#<CR>
	Запись	HDMI	<CR>*sour=hdmi#<CR>
	Запись	HDMI 2	<CR>*sour=hdmi2#<CR>
	Запись	HDMI 3	<CR>*sour=hdmi3#<CR>
	Запись	Композитный	<CR>*sour=vid#<CR>
	Запись	S-Video	<CR>*sour=svid#<CR>
	Запись	HDbaseT	<CR>*sour=hdbaset#<CR>
	Чтение	Текущий источник	<CR>*sour=?#<CR>
Управление звуком	Запись	Вкл. Без звука	<CR>*mute=on#<CR>
	Запись	Выкл. Без звука	<CR>*mute=off#<CR>
	Чтение	Состояние параметра Без звука	<CR>*mute=?#<CR>
	Запись	Громкость +	<CR>*vol=+#<CR>
	Запись	Громкость -	<CR>*vol=-#<CR>
	Запись	Уровень громкости для покупателя	<CR>*vol=value#<CR>
	Чтение	Индикатор громкости	<CR>*vol=?#<CR>
Звук выбор источника	Запись	Выкл. "Транзитная передача звука"	<CR>*audiosour=off#<CR>
	Запись	Звук - Компьютер1	<CR>*audiosour=RGB#<CR>
	Запись	Звук-Видео/S-Video	<CR>*audiosour=vid#<CR>
	Запись	Звук-HDMI	<CR>*audiosour=hdmi#<CR>
	Запись	Звук-HDMI2	<CR>*audiosour=hdmi2#<CR>
	Запись	Звук-HDMI3	<CR>*audiosour=hdmi3#<CR>
	Чтение	Состояние параметра "Транзитная передача звука"	<CR>*audiosour=?#<CR>
Режим изображения	Запись	Презентация	<CR>*appmod=preset#<CR>
	Запись	sRGB	<CR>*appmod=srgb#<CR>
	Запись	Яркий	<CR>*appmod=bright#<CR>
	Запись	DICOM	<CR>*appmod=dicom#<CR>
	Запись	Насыщенный	<CR>*appmod=vivid#<CR>
	Запись	Пользов.1	<CR>*appmod=user1#<CR>
	Запись	Пользов.2	<CR>*appmod=user2#<CR>
	Запись	3D	<CR>*appmod=threed#<CR>
	Чтение	Режим изображения	<CR>*appmod=?#<CR>

Функция	Тип	Действие	ASCII
Настройки изображения	Запись	Контрастность +	<CR>*con=+#<CR>
	Запись	Контрастность -	<CR>*con=#<CR>
	Чтение	Величина контрастности	<CR>*con=?#<CR>
	Запись	Яркость +	<CR>*bri=+#<CR>
	Запись	Яркость -	<CR>*bri=#<CR>
	Чтение	Величина яркости	<CR>*bri=?#<CR>
	Запись	Цвет +	<CR>*color=+#<CR>
	Запись	Цвет -	<CR>*color=#<CR>
	Чтение	Величина цвета	<CR>*color=?#<CR>
	Запись	Резкость +	<CR>*sharp=+#<CR>
	Запись	Резкость -	<CR>*sharp=#<CR>
	Чтение	Величина резкости	<CR>*sharp=?#<CR>
	Запись	Цветовая температура - Теплая	<CR>*ct=warm#<CR>
	Запись	Цветовая температура - Обычная	<CR>*ct=normal#<CR>
	Запись	Цветовая температура - Холодная	<CR>*ct=cool#<CR>
	Чтение	Состояние параметра "Цветовая температура"	<CR>*ct=?#<CR>
	Запись	Соотношение сторон 4:3	<CR>*asp=4:3#<CR>
	Запись	Соотношение сторон 16:9	<CR>*asp=16:9#<CR>
	Запись	Соотношение сторон 16:10	<CR>*asp=16:10#<CR>
	Запись	Соотношение сторон - Авто	<CR>*asp=AUTO#<CR>
	Запись	Соотношение сторон - Реальное	<CR>*asp=REAL#<CR>
	Чтение	Состояние параметра "Соотношение сторон"	<CR>*asp=?#<CR>
	Запись	Цифровой масштаб - увеличение	<CR>*zoomI#<CR>
Запись	Цифровой масштаб - уменьшение	<CR>*zoomO#<CR>	
Запись	Авто	<CR>*auto#<CR>	
Brilliant Color	Запись	Вкл. Brilliant Color	<CR>*BC=on#<CR>
	Запись	Выкл. Brilliant Color	<CR>*BC=off#<CR>
	Чтение	Состояние параметра "Brilliant color"	<CR>*BC=?#<CR>
Настройки рабочего режима	Запись	Положение проектора - Спереди на столе	<CR>*pp=FT#<CR>
	Запись	Положение проектора - Сзади на столе	<CR>*pp=RE#<CR>
	Запись	Положение проектора - Сзади на потолке	<CR>*pp=RC#<CR>
	Запись	Положение проектора - Спереди на потолке	<CR>*pp=FC#<CR>
	Запись	Быстрый автопоиск	<CR>*QAS=on#<CR>
	Запись	Быстрый автопоиск	<CR>*QAS=off#<CR>
	Чтение	Состояние параметра "Быстрый автопоиск"	<CR>*QAS=?#<CR>
	Чтение	Состояние параметра "Положение проектора"	<CR>*pp=?#<CR>
	Запись	Вкл. "Прямое включение питания"	<CR>*directpower=on#<CR>
	Запись	Выкл. "Прямое включение питания"	<CR>*directpower=off#<CR>
	Чтение	Состояние параметра "Прямое включение питания"	<CR>*directpower=?#<CR>
	Запись	Вкл. "Вкл. пит. при обнаруж. сигнала"	<CR>*autopower=on#<CR>

Функция	Тип	Действие	ASCII
Настройки рабочего режима	Запись	Выкл. "Вкл. пит. при обнаруж. сигнала"	<CR>*autopower=off#<CR>
	Чтение	Состояние параметра "Вкл. пит. при обнаруж. сигнала"	<CR>*autopower=?#<CR>
	Запись	Настройки реж. ожид. - Сеть вкл.	<CR>*standbynet=on#<CR>
	Запись	Настройки реж. ожид. - Сеть выкл.	<CR>*standbynet=off#<CR>
	Чтение	Состояние параметра "Настройки реж. ожид. - Сеть"	<CR>*standbynet=?#<CR>
	Запись	Вкл. "Настройки реж. ожид. - Выход монитора"	<CR>*standbymnt=on#<CR>
	Запись	Выкл. "Настройки реж. ожид. - Выход монитора"	<CR>*standbymnt=off#<CR>
	Чтение	Состояние параметра "Настройки реж. ожид. - Выход монитора"	<CR>*standbymnt=?#<CR>
Скорость прд. (бод)	Запись	9600	<CR>*baud=9600#<CR>
	Запись	14400	<CR>*baud=14400#<CR>
	Запись	19200	<CR>*baud=19200#<CR>
	Запись	38400	<CR>*baud=38400#<CR>
	Запись	57600	<CR>*baud=57600#<CR>
	Запись	115200	<CR>*baud=115200#<CR>
	Чтение	Текущая скорость прд. (бод)	<CR>*baud=?#<CR>
Управление лампой	Чтение	Наработка лампы	<CR>*ltime=?#<CR>
	Запись	Режим обычный	<CR>*lampm=lnor#<CR>
	Запись	Режим Эко	<CR>*lampm=eco#<CR>
	Запись	Реж. затемн.	<CR>*lampm=dimming#<CR>
	Запись	Пользов. реж.	<CR>*lampm=custom#<CR>
	Запись	Уровень света для пользовательского режима	<CR>*lampcustom=value#<CR>
	Чтение	Состояние параметра "Уровень света" для пользовательского режима	<CR>*lampcustom=?#<CR>
	Чтение	Состояние параметра "Режим лампы"	<CR>*lampm=?#<CR>
Прочие	Чтение	Название модели	<CR>*modelname=?#<CR>
	Запись	Вкл. "Пустой экран"	<CR>*blank=on#<CR>
	Запись	Выкл. "Пустой экран"	<CR>*blank=off#<CR>
	Чтение	Состояние параметра "Пустой экран"	<CR>*blank=?#<CR>
	Запись	Вкл. Стоп-кадр	<CR>*freeze=on#<CR>
	Запись	Выкл. Стоп-кадр	<CR>*freeze=off#<CR>
	Чтение	Состояние параметра "Стоп-кадр"	<CR>*freeze=?#<CR>
	Запись	Вкл. меню	<CR>*menu=on#<CR>
	Запись	Выкл. меню	<CR>*menu=off#<CR>
	Запись	Вверх	<CR>*up#<CR>
	Запись	Вниз	<CR>*down#<CR>
	Запись	Вправо	<CR>*right#<CR>
	Запись	Влево	<CR>*left#<CR>
	Запись	Ввод	<CR>*enter#<CR>
	Запись	Выкл. Синхр. 3D	<CR>*3d=off#<CR>
	Запись	3D Авто	<CR>*3d=auto#<CR>
	Запись	Синхр. 3D, Вертикальная стереопара	<CR>*3d=tb#<CR>

Функция	Тип	Действие	ASCII
Прочие	Запись	Синхр. 3D, Чередование кадров	<CR>*3d=fs#<CR>
	Запись	3D Упаковка кадров	<CR>*3d=fp#<CR>
	Запись	3D Горизонтальная стереопара	<CR>*3d=sbs#<CR>
	Запись	Откл. инвертирование 3D	<CR>*3d=da#<CR>
	Запись	Инвертирование 3D	<CR>*3d=iv#<CR>
	Чтение	Состояние параметра "Синхр. 3D"	<CR>*3d=?#<CR>
	Запись	Приемник сигналов ДУ - спереди + сзади	<CR>*rr=fr#<CR>
	Запись	Приемник сигналов ДУ - спереди	<CR>*rr=f#<CR>
	Запись	Приемник сигналов ДУ - сзади	<CR>*rr=r#<CR>
	Чтение	Состояние параметра "Приемник сигналов ДУ"	<CR>*rr=?#<CR>
	Запись	Обнаружение устройства AMX - вкл.	<CR>*amxdd=on#<CR>
	Запись	Обнаружение устройства AMX - выкл.	<CR>*amxdd=off#<CR>
	Чтение	Состояние параметра "Обнаружение устройства AMX"	<CR>*amxdd=?#<CR>
	Чтение	MAC-адрес	<CR>*macaddr=?#<CR>
	Запись	Вкл. Режим высокогорья	<CR>*Highaltitude=on#<CR>
	Запись	Выкл. Режим высокогорья	<CR>*Highaltitude=off#<CR>
Чтение	Состояние параметра "Режим высокогорья"	<CR>*Highaltitude=?#<CR>	

차례

중요 안전 지침	102
고지	103
레이저 표시	103
냉각 표시	103
제품 정보	104
제품 구성	104
사양	104
컨트롤 단자	104
리모컨	105
설치	106
영사 크기	106
프로젝터 위치 조정하기	108
LED 표시등	109
크기	110
프로젝터 치수	110
천장 설치 그림	110
RS232 명령	111
RS232 핀 할당	111
Regulatory Statements	129

최신 버전의 사용 설명서 / 설치 안내서를 보려면 아래 웹사이트를 방문하십시오 .

<http://business-display.benq.com/>

중요 안전 지침

구입하신 프로젝터는 정보 기술 장비 안전에 대한 최신 표준을 따르도록 설계되어 검사를 통과한 제품입니다. 그러나 본 제품을 안전하게 사용하기 위해서는 사용 설명서 / 설치 안내서에서 설명하고 제품에 표시된 지침을 따라야 합니다.

1. 프로젝터를 작동하기 전에 사용 설명서 / 설치 안내서를 읽으십시오. 잘 보관해 두었다가 나중에 참조하십시오.
2. 작동 중에는 프로젝터 렌즈 정면을 바라보지 마십시오. 빛 강도가 세기 때문에 시력이 손상될 수 있습니다.
3. 수리는 자격을 갖춘 정비 기술자에게만 맡기십시오.
4. 프로젝터 광원이 켜지면 렌즈 셔터 (있을 경우) 를 열거나 렌즈 뚜껑 (있을 경우) 을 떼어내십시오.
5. 작동 중에는 광원이 매우 뜨거워집니다.
6. 일부 국가에서는 선간 전압이 불안정합니다. 이 프로젝터는 100 - 240 V AC 에서 안전하게 작동하지만 전원이 끊기거나 ±10 볼트의 과전류가 발생하면 작동하지 않을 수 있습니다. 이와 같이 선간 전압이 불안정하거나 중단될 수 있는 곳에서는 프로젝터를 연결할 때 정전압 장치, 과전류 차단기, 무정전 전원 공급 장치 (UPS) 를 사용하십시오.
7. 프로젝터가 작동 중일 때 영사 렌즈를 물건으로 가리지 마십시오. 물건이 발열되거나 변형될 수 있습니다. 일시적으로 광원을 끄려면 블랭크 기능을 사용합니다.
8. 정격 광원 수명보다 오래 광원을 사용하지 마십시오.
9. 고정되지 않은 손수레, 받침대, 탁자 등에는 제품을 올려 놓지 마십시오. 제품이 떨어지면 크게 손상될 수 있습니다.
10. 프로젝터를 분해하지 마십시오. 내부에 높은 전압의 전류가 흐르기 때문에 접촉에 의해 감전사할 수 있는 위험이 있습니다.
어떤 덮개든지 절대로 벗기거나 제거하면 안됩니다. 수리가 필요한 경우에는 반드시 필요한 자격을 갖춘 정비 기술자에게 맡기십시오.
11. 통풍구를 막지 마십시오.
 - 프로젝터를 담요나 기타 침구류 등, 표면이 부드러운 곳에 올려놓지 마십시오.
 - 프로젝터를 헝겊이나 다른 물건으로 덮지 마십시오.
 - 프로젝터 근처에 인화성 물질을 두지 마십시오.
 통풍구가 심하게 막혀 있으면, 프로젝터 내부가 과열되어 화재가 발생할 수 있습니다.
12. 프로젝터를 수직으로 세워두지 마십시오. 프로젝터가 떨어지면서 사람이 다치거나 프로젝터가 손상될 수 있습니다.
13. 프로젝터 위에 올라서거나 물건을 올려놓지 마십시오. 프로젝터가 손상될뿐만 아니라 사람이 다칠 수 있습니다.
14. 프로젝터가 작동 중일 때 통풍구에서 온기가 느껴지거나 냄새가 풍길 수 있습니다. 이것은 정상적인 현상으로 제품에 결함이 있는 것이 아닙니다.
15. 프로젝터 부근이나 위에 액체를 놓지 마십시오. 흘린 액체가 프로젝터로 들어가면 고장 날 수 있습니다. 프로젝터에 물기가 묻으면, 전원 공급 장치의 콘센트에서 플러그를 뽑고 BenQ 에 문의하여 수리를 받으십시오.
16. 이 장치는 접지해야 합니다.
17. 프로젝터 보관 장소로 적합하지 않은 곳은 다음과 같습니다.
 - 환기가 잘 되지 않거나 밀폐된 공간. 50 cm 이상 벽과 거리를 두고 설치해야 프로젝터 주변에 통풍이 잘 됩니다.
 - 온도가 급변하는 곳 (예 : 창문이 모두 닫혀 있는 차량 내부).
 - 습기, 먼지 또는 담배 연기가 많은 공간. 프로젝터의 광학 부품이 오염되므로 수명이 단축되고 스크린이 어둡게 보일 수 있습니다.
 - 화재 경보기 근처
 - 실내 온도가 40°C / 104°F 를 넘는 곳
 - 고도가 3000 m(10000 피트) 를 넘는 곳.

고지

레이저 표시



이 기호는 지침을 잘 따르지 않을 경우 눈이 레이저 방출에 노출될 잠재적 위험이 있음을 나타냅니다.

클래스 I 레이저 제품



이 레이저 제품은 작동의 모든 절차 동안 클래스 I로 지정되어 있습니다.

레이저 조명 - 눈에 직접 노출을 피하십시오.

레이저 또는 레이저 불빛을 사람이나 반사 물체에 직접 조준하거나 반사하지 마십시오.

직접 조명 또는 산란된 조명이 눈과 피부에 해로울 수 있습니다.

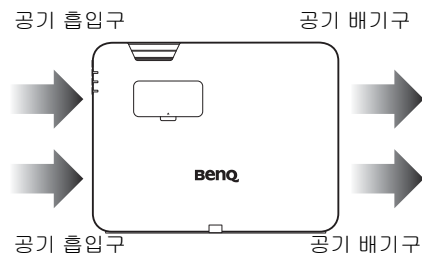


포함되어 있는 지침을 잘 따르지 않을 경우 레이저 방출에 눈이 노출될 잠재적 위험이 있습니다.

주의 - 여기에 명시되지 않은 제어 또는 조정을 하거나 절차를 수행할 경우 유해한 방출에 노출될 수 있습니다.

냉각 표시

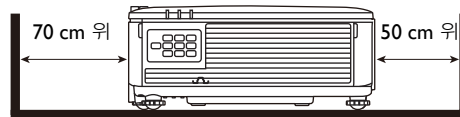
통풍



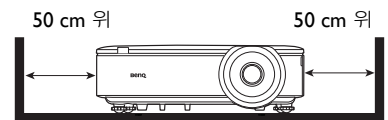
설치 주의 사항

프로젝터의 적절한 통풍을 위해, 아래 그림에 나온 것처럼 프로젝터 주위에 약간의 공간을 두어야 합니다:

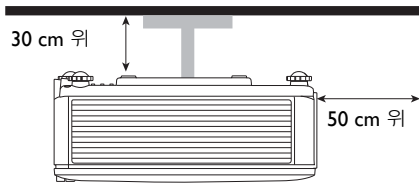
• 테이블



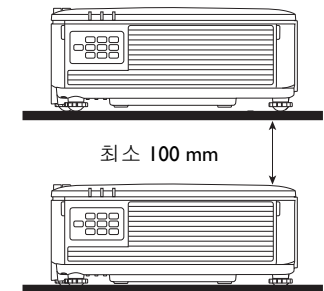
• 테이블



• 천장



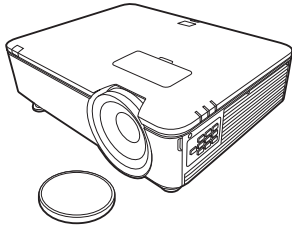
• 쌓기



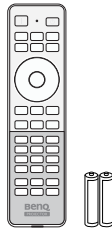
- 통풍이 잘 안되거나 좁은 공간에서 프로젝터를 사용하지 마십시오.
- 프로젝터를 ± 15 도 이상 기울여 사용하면 광원 수명에 영향을 줄 수 있습니다.

제품 정보

제품 구성



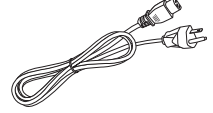
프로젝터



리모컨 및 배터리



설치 안내서

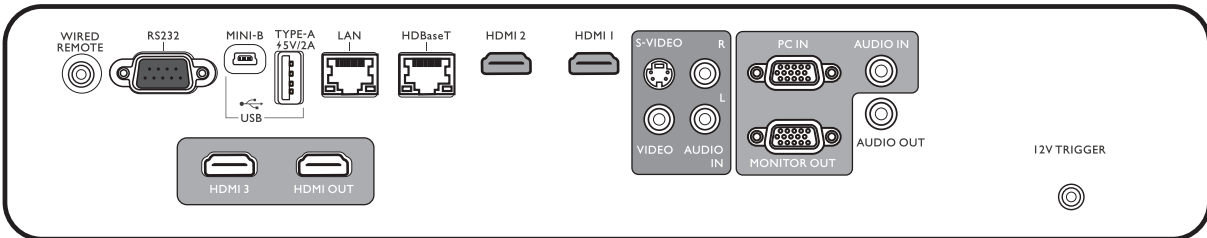


전원 코드

사양

	LU950/LU951	LU951ST
디스플레이 시스템	1-CHIP DMD	
해상도	1920 (H) x 1200 (V) WUXGA	
광원	레이저 다이오드	
스로우 비율	1.36 ~ 2.18	0.81 ~ 0.89
소비 전력	530 W (최대); < 0.5 W (대기)	
크기	490 mm (W) x 159 mm (H) x 380 mm (D)	
무게	9.4 Kg (20.7 lbs)	

컨트롤 단자



• WIRED REMOTE

유선 리모컨에 연결하는 데 사용합니다.

• RS232

PC 제어 시스템에 연결하고 프로젝터 유지 보수를 수행할 수 있는 표준 9 핀 D-sub 인터페이스입니다.

• USB MINI-B

펌웨어 업그레이드 전용.

• USB TYPE A

5V/2A 출력을 지원합니다.

• LAN

네트워크를 통해 프로젝터를 제어하기 위해 RJ45 Cat5/Cat6 이더넷 케이블에 연결하는 데 사용됩니다.

• HDBaseT

RJ45 Cat5/Cat6 케이블을 비압축 입력 고선명 비디오 (HD) 에 연결하는 데 사용됩니다.

• HDMI 2

HDMI 소스에 연결됩니다.

• HDMI 1

HDMI 소스에 연결됩니다.

• VIDEO

컴포지트 비디오 소스에 연결.

• S-VIDEO

S- 비디오 소스에 연결.

• AUDIO IN L/R

오디오 또는 오디오 L/R 케이블로 오디오 입력 소스에 연결합니다.

• PC IN

RGB 소스 또는 PC 에 연결할 수 있는 15 핀 VGA 포트입니다.

• MONITOR OUT

동시 재생을 표시할 수 있도록 다른 디스플레이 장비에 연결됩니다. (**PC IN** 포트와 함께 사용됨.)

• AUDIO IN

오디오 케이블로 오디오 입력 소스에 연결합니다. (**PC IN** 포트와 함께 사용됨.)

• AUDIO OUT

스피커 또는 헤드셋에 연결합니다.

• 12V TRIGGER

전기 스크린 또는 조명 컨트롤 같은 외부 장치를 트리거합니다.

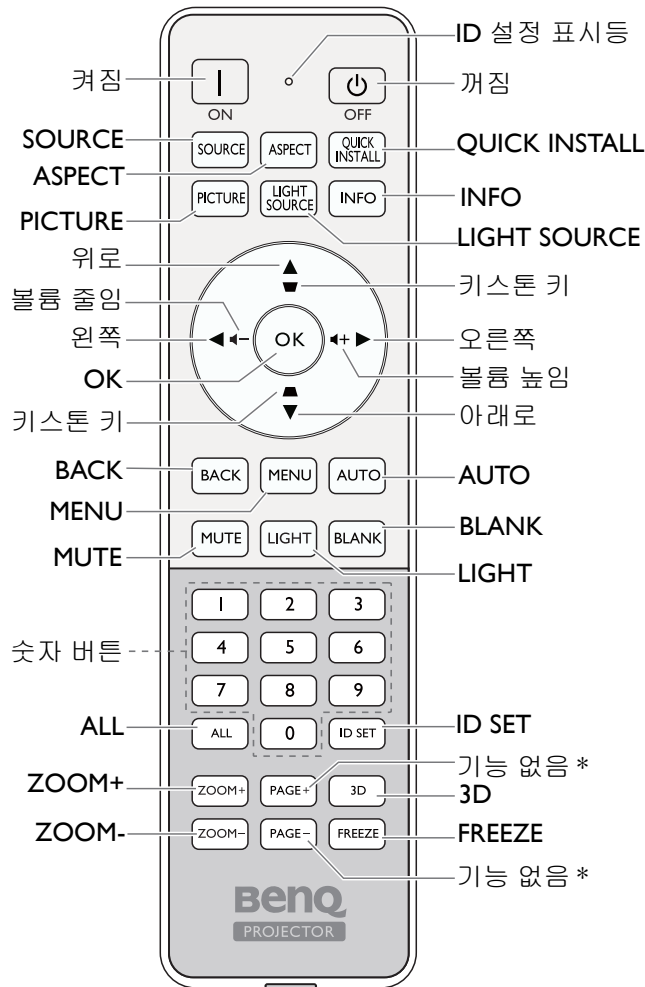
• HDMI 3


HDMI 소스에 연결됩니다.

• HDMI OUT

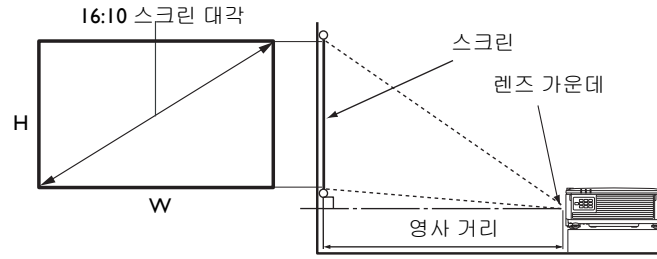
동시 재생을 표시할 수 있도록 다른 디스플레이 장비에 연결됩니다. (**HDMI 3** 포트와 함께 사용됨.)

리모컨



 * 이 버튼은 이 모델에 사용할 수 없습니다.

설치 영사 크기



스크린 화면비는 16:10 이고 영사 이미지 화면지는 16:10 입니다

LU950/LU951

스크린 크기			스크린과 떨어진 거리 (mm)			
대각선 길이		W (mm)	H (mm)	최소 길이 (최대 줌)	평균	최대 길이 (최소 줌)
인치	mm					
30	762	646	404	879	1144	1409
40	1016	862	538	1172	1525	1878
50	1270	1077	673	1465	1906	2348
60	1524	1292	808	1758	2287	2817
80	2032	1723	1077	2343	3050	3756
90	2286	1939	1212	2636	3431	4226
100	2540	2154	1346	2929	3812	4696
110	2794	2369	1481	3222	4194	5165
120	3048	2585	1615	3515	4575	5635
130	3302	2800	1750	3808	4956	6104
140	3556	3015	1885	4101	5337	6574
150	3810	3231	2019	4394	5719	7043
160	4064	3446	2154	4687	6100	7513
170	4318	3662	2289	4980	6481	7982
180	4572	3877	2423	5273	6862	8452
190	4826	4092	2558	5566	7244	8922
200	5080	4308	2692	5859	7625	9391
250	6350	5385	3365	7323	9531	11739
300	7620	6462	4039	8788	11437	14087

LU951ST

스크린 크기				스크린과 떨어진 거리 (mm)		
대각선 길이		W (mm)	H (mm)	최소 길이	평균	최대 길이
인치	mm			(최대 줌)		(최소 줌)
30	762	646	404	523	549	575
40	1016	862	538	698	732	767
50	1270	1077	673	872	915	958
60	1524	1292	808	1047	1098	1150
80	2032	1723	1077	1396	1465	1534
90	2286	1939	1212	1570	1648	1725
100	2540	2154	1346	1745	1831	1917
110	2794	2369	1481	1919	2014	2109
120	3048	2585	1615	2094	2197	2300
130	3302	2800	1750	2268	2380	2492
140	3556	3015	1885	2443	2563	2684
150	3810	3231	2019	2617	2746	2875
160	4064	3446	2154	2791	2929	3067
170	4318	3662	2289	2966	3112	3259
180	4572	3877	2423	3140	3295	3451
190	4826	4092	2558	3315	3479	3642
200	5080	4308	2692	3489	3662	3834
250	6350	5385	3365	4362	4577	4792
300	7620	6462	4039	5234	5492	5751



• 영사 품질을 최적화하려면 회색이 아닌 영역에서 영사할 것을 권장합니다.

• 모든 측정은 근사값이며 실제 크기와 다를 수 있습니다.

프로젝터를 한 곳에만 설치하여 이용하려는 경우 BenQ에서는 먼저 설치할 프로젝터를 사용해 영사 거리와 크기를 실제로 측정하여 프로젝터 광학 부품들의 오차를 고려할 것을 권장합니다. 그래야 설치하기에 가장 적합한 위치를 정확하게 파악할 수 있습니다.



• 천장 설치에 자격을 갖춘 전문가가 시행해야 합니다. 자세한 내용은 대리점에 문의하십시오. 프로젝터를 손수 설치하는 것은 권장되지 않습니다.

• 프로젝터를 단단하고 고른 평면 위에 놓고 사용하십시오. 프로젝터가 떨어지면 손상되거나 심각한 부상을 입을 수 있습니다.

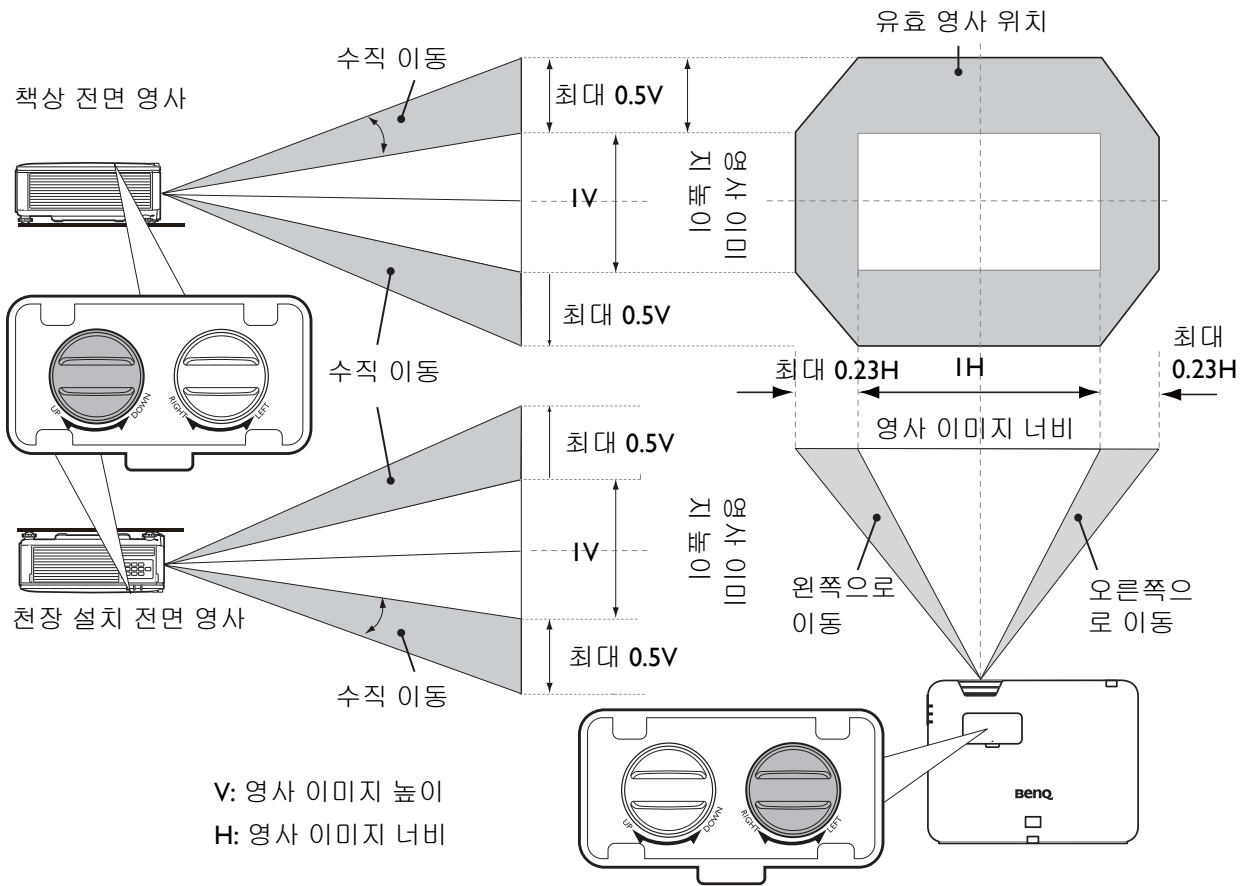
• 온도가 너무 덥거나 추운 곳에서 프로젝터를 사용하지 마십시오. 화씨 32도 (섭씨 0도) ~ 화씨 104도 (섭씨 40도) 사이에서만 프로젝터를 사용하십시오.

• 프로젝터가 습기, 먼지 또는 연기에 노출되면 스크린이 손상됩니다.

• 프로젝터의 통풍구를 막지 마십시오. 적절한 통풍은 열을 제거하는 데 필요합니다. 통풍구가 막히면 프로젝터가 손상됩니다.

프로젝터 위치 조정하기

영사 렌즈 이동



LED 표시등

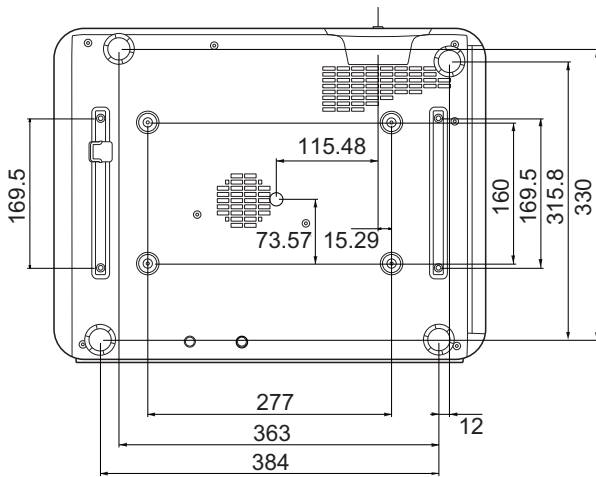
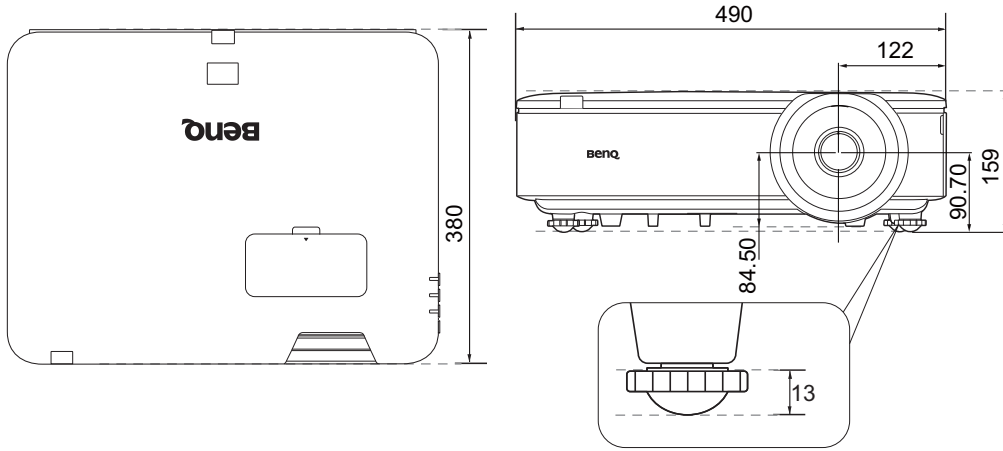
표시등			상태 및 설명
POWER	TEMP	LIGHT	
전원			
			대기 모드입니다
			전원이 켜지는 중
			정상 작동
			정상적인 전원 끄기 냉각
			다운로드
			색상환 시작 실패
			인광환 시작 실패
			버닝 켜짐
			버닝 꺼짐
광원 이벤트			
			광원 수명이 만료됨
			정상 작동 시 광원 오류
			광원이 켜지지 않음
온도			
			팬 1 오류 (실제 팬 속도가 바람직한 속도를 초과합니다)
			팬 2 오류 (실제 팬 속도가 바람직한 속도를 초과합니다)
			팬 3 오류 (실제 팬 속도가 바람직한 속도를 초과합니다)
			팬 4 오류 (실제 팬 속도가 바람직한 속도를 초과합니다)
			팬 5 오류 (실제 팬 속도가 바람직한 속도를 초과합니다)
			팬 6 오류 (실제 팬 속도가 바람직한 속도를 초과합니다)
			팬 7 오류 (실제 팬 속도가 바람직한 속도를 초과합니다)
			팬 8 오류 (실제 팬 속도가 바람직한 속도를 초과합니다)
			온도 1 오류 (제한 온도 초과)
			온도 센서 1 오픈 오류
			온도 센서 1 숏 오류
			온도 IC #1 I2C 연결 오류

		○: 꺼짐		●: 주황색 켜짐		●: 녹색 켜짐		●: 빨강 켜짐
				●: 주황색 깜박임		●: 녹색 깜박임		●: 빨강 깜박임

크기

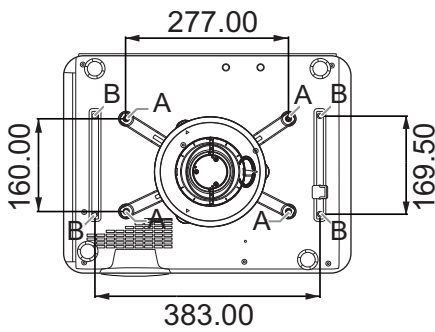
프로젝터 치수

490 mm (W) x 159 mm (H) x 380 mm (D)



단위 : mm

천장 설치 그림



A: BenQ 천장 설치 CMG3 (5J.JAM10.001)

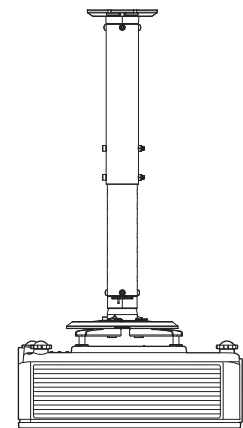
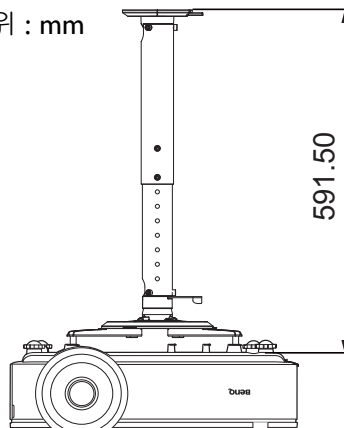
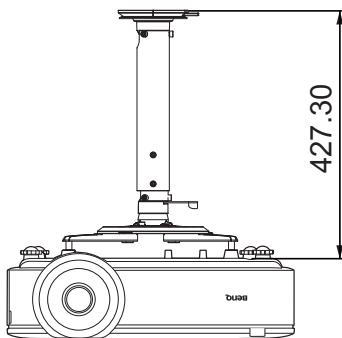
천장 설치용 나사 : M4

(최대 L = 25 mm; 최소 L = 20 mm)

B: 타사 설치 구멍

나사 : M6 (최대 L = 8 mm)

단위 : mm

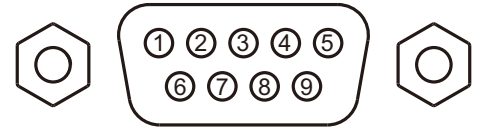


RS232 명령

RS232 핀 할당

번호	직렬
1	NC
2	RX
3	TX
4	NC
5	GND

번호	직렬
6	NC
7	RTSZ
8	CTSZ
9	NC



기능	유형	작동하기	ASCII
전원	쓰기	전원 켜짐	<CR>*pow=on#<CR>
	쓰기	전원 꺼짐	<CR>*pow=off#<CR>
	읽기	전원 상태	<CR>*pow=?#<CR>
소스 선택	쓰기	COMPUTER/YPbPr	<CR>*sour=RGB#<CR>
	쓰기	HDMI	<CR>*sour=hdmi#<CR>
	쓰기	HDMI 2	<CR>*sour=hdmi2#<CR>
	쓰기	HDMI 3	<CR>*sour=hdmi3#<CR>
	쓰기	컴포지트	<CR>*sour=vid#<CR>
	쓰기	S-Video	<CR>*sour=svid#<CR>
	쓰기	HDbaseT	<CR>*sour=hdbaset#<CR>
	읽기	현재 소스	<CR>*sour=?#<CR>
오디오 제어	쓰기	음소거 켜짐	<CR>*mute=on#<CR>
	쓰기	음소거 꺼짐	<CR>*mute=off#<CR>
	읽기	음소거 상태	<CR>*mute=?#<CR>
	쓰기	볼륨 +	<CR>*vol=+#<CR>
	쓰기	볼륨 -	<CR>*vol=-#<CR>
	쓰기	고객을 위한 볼륨 수준	<CR>*vol=value#<CR>
	읽기	볼륨 상태	<CR>*vol=?#<CR>
오디오소스 선택	쓰기	오디오 통과 꺼짐	<CR>*audiosour=off#<CR>
	쓰기	오디오 - 컴퓨터 1	<CR>*audiosour=RGB#<CR>
	쓰기	Audio-Video/S-Video	<CR>*audiosour=vid#<CR>
	쓰기	Audio-HDMI	<CR>*audiosour=hdmi#<CR>
	쓰기	Audio-HDMI2	<CR>*audiosour=hdmi2#<CR>
	쓰기	Audio-HDMI3	<CR>*audiosour=hdmi3#<CR>
	읽기	오디오 패스 상태	<CR>*audiosour=?#<CR>
이미지 모드	쓰기	프리젠테이션	<CR>*appmod=preset#<CR>
	쓰기	sRGB	<CR>*appmod=srgb#<CR>
	쓰기	밝음	<CR>*appmod=bright#<CR>
	쓰기	DICOM	<CR>*appmod=dicom#<CR>
	쓰기	선명한	<CR>*appmod=vivid#<CR>
	쓰기	사용자 1	<CR>*appmod=user1#<CR>
	쓰기	사용자 2	<CR>*appmod=user2#<CR>
	쓰기	3D	<CR>*appmod=threed#<CR>
	읽기	이미지 모드	<CR>*appmod=?#<CR>

기능	유형	작동하기	ASCII	
이미지 설정	쓰기	명암비 +	<CR>*con=+#<CR>	
	쓰기	명암비 -	<CR>*con=#<CR>	
	읽기	명암비 값	<CR>*con=?#<CR>	
	쓰기	밝기 +	<CR>*bri=+#<CR>	
	쓰기	밝기 -	<CR>*bri=#<CR>	
	읽기	밝기 값	<CR>*bri=?#<CR>	
	쓰기	색 +	<CR>*color=+#<CR>	
	쓰기	색 -	<CR>*color=#<CR>	
	읽기	컬러 값	<CR>*color=?#<CR>	
	쓰기	선명도 +	<CR>*sharp=+#<CR>	
	쓰기	선명도 -	<CR>*sharp=#<CR>	
	읽기	선명도 값	<CR>*sharp=?#<CR>	
	쓰기	색온도 - 따뜻함	<CR>*ct=warm#<CR>	
	쓰기	색온도 - 보통	<CR>*ct=normal#<CR>	
	쓰기	색온도 - 차가움	<CR>*ct=cool#<CR>	
	읽기	색온도 상태	<CR>*ct=?#<CR>	
	쓰기	화면비 4:3	<CR>*asp=4:3#<CR>	
	쓰기	화면비 16:9	<CR>*asp=16:9#<CR>	
	쓰기	화면비 16:10	<CR>*asp=16:10#<CR>	
	쓰기	화면비 자동	<CR>*asp=AUTO#<CR>	
	쓰기	화면비 실제	<CR>*asp=REAL#<CR>	
	읽기	화면비 상태	<CR>*asp=?#<CR>	
	Brilliant Color	쓰기	Brilliant color 켜짐	<CR>*BC=on#<CR>
		쓰기	Brilliant color 꺼짐	<CR>*BC=off#<CR>
읽기		Brilliant color 상태	<CR>*BC=?#<CR>	
작동 설정	쓰기	프로젝터 위치 - 탁자 앞	<CR>*pp=FT#<CR>	
	쓰기	프로젝터 위치 - 탁자 뒤	<CR>*pp=RE#<CR>	
	쓰기	프로젝터 위치 - 천장 뒤	<CR>*pp=RC#<CR>	
	쓰기	프로젝터 위치 - 천장 앞	<CR>*pp=FC#<CR>	
	쓰기	빠른 자동 검색	<CR>*QAS=on#<CR>	
	쓰기	빠른 자동 검색	<CR>*QAS=off#<CR>	
	읽기	빠른 자동 검색 상태	<CR>*QAS=?#<CR>	
	읽기	프로젝터 위치 상태	<CR>*pp=?#<CR>	
	쓰기	직접 전원 켜기 - 켜짐	<CR>*directpower=on#<CR>	
	쓰기	직접 전원 켜기 - 꺼짐	<CR>*directpower=off#<CR>	
	읽기	직접 전원 켜기 - 상태	<CR>*directpower=?#<CR>	
	쓰기	신호 전원 켜기 - 켜짐	<CR>*autopower=on#<CR>	
	쓰기	신호 전원 켜기 - 꺼짐	<CR>*autopower=off#<CR>	
	읽기	신호 전원 켜기 - 상태	<CR>*autopower=?#<CR>	
	쓰기	대기 설정 - 네트워크 켜짐	<CR>*standbynet=on#<CR>	
	쓰기	대기 설정 - 네트워크 꺼짐	<CR>*standbynet=off#<CR>	
	읽기	대기 설정 - 네트워크 상태	<CR>*standbynet=?#<CR>	
	쓰기	대기 설정 - 모니터 출력 켜짐	<CR>*standbymnt=on#<CR>	
	쓰기	대기 설정 - 모니터 출력 꺼짐	<CR>*standbymnt=off#<CR>	
	읽기	대기 설정 - 모니터 출력 상태	<CR>*standbymnt=?#<CR>	

기능	유형	작동하기	ASCII
전송 속도	쓰기	9600	<CR>*baud=9600#<CR>
	쓰기	14400	<CR>*baud=14400#<CR>
	쓰기	19200	<CR>*baud=19200#<CR>
	쓰기	38400	<CR>*baud=38400#<CR>
	쓰기	57600	<CR>*baud=57600#<CR>
	쓰기	115200	<CR>*baud=115200#<CR>
	읽기	현재 전송 속도	<CR>*baud=?#<CR>
램프 제어	읽기	램프 시간	<CR>*ltim=?#<CR>
	쓰기	보통 모드	<CR>*lampm=lnor#<CR>
	쓰기	절약 모드	<CR>*lampm=eco#<CR>
	쓰기	디밍 모드	<CR>*lampm=dimming#<CR>
	쓰기	사용자 지정 모드	<CR>*lampm=custom#<CR>
	쓰기	사용자 지정 모드의 조명 수준	<CR>*lampcustom=value#<CR>
	읽기	사용자 지정 모드의 조명 수준 상태	<CR>*lampcustom=?#<CR>
	읽기	램프 모드 상태	<CR>*lampm=?#<CR>
기타	읽기	모델명	<CR>*modelname=?#<CR>
	쓰기	블랭크 켜짐	<CR>*blank=on#<CR>
	쓰기	블랭크 꺼짐	<CR>*blank=off#<CR>
	읽기	블랭크 상태	<CR>*blank=?#<CR>
	쓰기	고정 켜짐	<CR>*freeze=on#<CR>
	쓰기	고정 꺼짐	<CR>*freeze=off#<CR>
	읽기	고정 상태	<CR>*freeze=?#<CR>
	쓰기	메뉴 켜짐	<CR>*menu=on#<CR>
	쓰기	메뉴 꺼짐	<CR>*menu=off#<CR>
	쓰기	위로	<CR>*up#<CR>
	쓰기	아래로	<CR>*down#<CR>
	쓰기	오른쪽	<CR>*right#<CR>
	쓰기	왼쪽	<CR>*left#<CR>
	쓰기	입력	<CR>*enter#<CR>
	쓰기	3D 동기화 꺼짐	<CR>*3d=off#<CR>
	쓰기	3D 자동	<CR>*3d=auto#<CR>
	쓰기	3D 동기화 위 아래	<CR>*3d=tb#<CR>
	쓰기	3D 동기화 프레임 순차	<CR>*3d=fs#<CR>
	쓰기	3D 프레임 패킹	<CR>*3d=fp#<CR>
	쓰기	3D 나란히	<CR>*3d=sbs#<CR>
	쓰기	3D 인버터 비활성화	<CR>*3d=da#<CR>
	쓰기	3D 인버터	<CR>*3d=iv#<CR>
	읽기	3D 동기화 상태	<CR>*3d=?#<CR>
	쓰기	원격 수신기 - 앞 + 뒤	<CR>*rr=fr#<CR>
	쓰기	원격 수신기 - 앞	<CR>*rr=f#<CR>
	쓰기	원격 수신기 - 뒤	<CR>*rr=r#<CR>
	읽기	원격 수신기 상태	<CR>*rr=?#<CR>
	쓰기	AMX 장치 발견 - 켜짐	<CR>*amxdd=on#<CR>
	쓰기	AMX 장치 발견 - 꺼짐	<CR>*amxdd=off#<CR>
	읽기	AMX 장치 발견 상태	<CR>*amxdd=?#<CR>
	읽기	MAC 주소	<CR>*macaddr=?#<CR>
	쓰기	높은 고도 모드 켜짐	<CR>*Highaltitude=on#<CR>
	쓰기	높은 고도 모드 꺼짐	<CR>*Highaltitude=off#<CR>
	읽기	높은 고도 모드 상태	<CR>*Highaltitude=?#<CR>

目次

安全にお使いいただくために	116
注意	117
レーザーに関する注意	117
冷却についてのご注意	117
製品情報	118
パッケージ内容	118
仕様	118
端末の制御	118
リモコン	119
設置	120
投写サイズ	120
プロジェクターの位置を設定する	122
LED インジケーター	123
外形寸法	124
本機サイズ	124
天井取り付け図	124
RS232 コマンド	125
RS232 ピン割り当て	125
Regulatory Statements	129

取扱説明書 / インストールガイドの最新版は、次のウェブサイトをご覧ください。

<http://business-display.benq.com/>

安全にお使いいただくために

お使いのプロジェクターは、情報テクノロジーデバイスの最新の安全規格に適合するように設計され、テストされています。ただし、本装置を安全にご使用いただくために、取扱説明書/インストールガイドおよび装置のマークに記載されている指示に従ってください。

1. **プロジェクターを操作する前に、取扱説明書/インストールガイドをお読みください。** またいつでも参照できるように、手の届く場所に保管しておいてください。
2. **動作中は、プロジェクターのレンズを覗き込まないでください。** 強い光線なので、視力障害を引き起こす恐れがあります。
3. **点検修理については、サポートセンターにお問い合わせください。**
4. **プロジェクターの光源をオンにするときは、必ずレンズシャッター（ある場合）を開くか、レンズキャップ（ある場合）を取り外してください。**
5. 光源は動作中に非常に高温になります。
6. 電源コード
 - 付属の電源コード以外のもは使用しないでください。
 - 付属した電源コードは本機以外の電気機器等では使用できません。
 - 機器の安全確保のため、機器のアースは確実に接続し、使用してください。アースの接続は、必ず電源プラグをコンセントに差し込む前に行ってください。また、アースを外す場合は、必ず電源プラグをコンセントから抜いてから行ってください。
7. プロジェクターが作動しているときに投写レンズを物体で塞ぐと、それが過熱して変形したり、火災の原因となったりします。一時的に光源をオフにするには、BLANK 機能をお使いください。
8. 定格寿命より長く光源を使用しないでください。
9. 本製品は安定した場所に設置してください。本製品が落下して、破損する恐れがあります。
10. 本装置のキャビネットは開けないでください。内部には危険な電圧が流れており、触れると死に至る場合があります。
いかなる状況においても、これ以外のカバーをご自身で取り外そうとしないでください。修理はサポートセンターにお問い合わせください。
11. 通気孔をふさがないでください。
 - 本製品をブランケットなどの寝具類、または他の柔らかい物の上に置かないでください。
 - 本製品の上に布などをかぶせないでください。
 - プロジェクターの近くに可燃物を置かないでください。通気孔がふさがれると、プロジェクターの内部が過熱し、火災が発生することがあります。
12. 装置を縦向きにしないでください。縦向きにするとプロジェクターが倒れ、けがをしたり、プロジェクターが破損したりする恐れがあります。
13. 装置の上に乗ったり、物を置いたりしないでください。装置が物理的に破損するだけでなく、事故やけがの原因になります。
14. プロジェクターが作動しているときには、通気孔から熱風と臭気を感じる場合があります。これは正常な状態であり、製品の欠陥によるものではありません。
15. プロジェクターの上または近くに液体を置かないでください。プロジェクター内部に液体がこぼれると故障の原因になります。万一プロジェクター内部に水などが入った場合は、電源プラグをコンセントから抜いて BenQ サポートセンターにご連絡ください。
16. この装置は接地されていなければなりません。
17. 次の場所に装置を置かないでください。
 - 通気が不十分な場所または密閉されている場所。壁との間隔を 50 cm 以上空けて、プロジェクターの周辺の風通しをよくしてください。
 - 窓を締め切った車内など、非常に高温になる場所。
 - 非常に湿度が高い場所、ほこりの多い場所、タバコの煙にさらされる場所。このような場所に置くと、光学部品が汚れ、プロジェクターの寿命が短くなり、画像が暗くなります。
 - 火災報知器に近い場所。
 - 周辺温度が 40°C / 104°F を超える場所。
 - 高度が 3000 メートル (10000 フィート) を超える場所。

注意

レーザーに関する注意



この記号は、指示に従わずにご使用になるとレーザー照射により視覚に重大な影響を与える可能性があることを示しています。

クラスIレーザー製品



このレーザー製品は、あらゆる操作においてクラスIとして設計されています。

レーザー光線 - 目に直接照射しないでください。

他者または反射性物質に向かって直接レーザー光線を照射したり、レーザー光線を反射させたりしないでください。

レーザー光線を直接または断続的に目や肌に照射すると危険です。

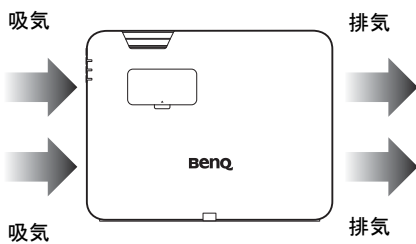


指示に従わずにご使用になるとレーザー照射により視覚に重大な影響を与える可能性があります。

注意 - ここに記載されていない方法で操作、調整すると、被ばくする可能性があります。

冷却についてのご注意

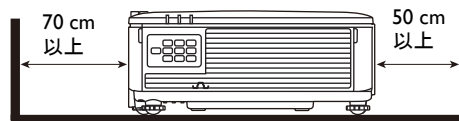
通気



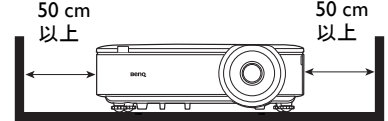
設置についてのご注意

プロジェクターの通気を確保するために、下図に示すようにプロジェクターの周辺は適度なスペースを空けてください。

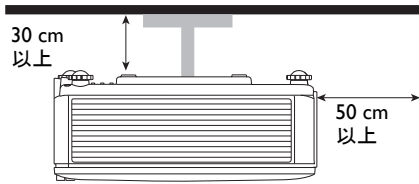
・机



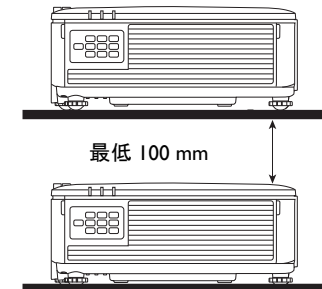
・机



・天井



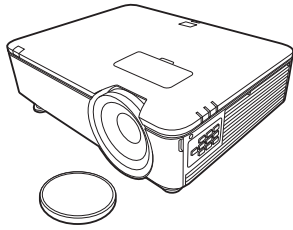
・スタック



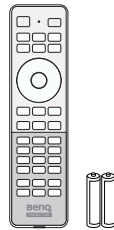
- 適切な通気が確保されない、または密閉された場所では本機を使用しないでください。
- 本機を ± 15 度以上傾けて使用すると、ランプの寿命が短くなる場合があります。

製品情報

パッケージ内容



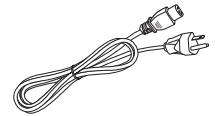
プロジェクター



リモコンと電池



インストールガイド

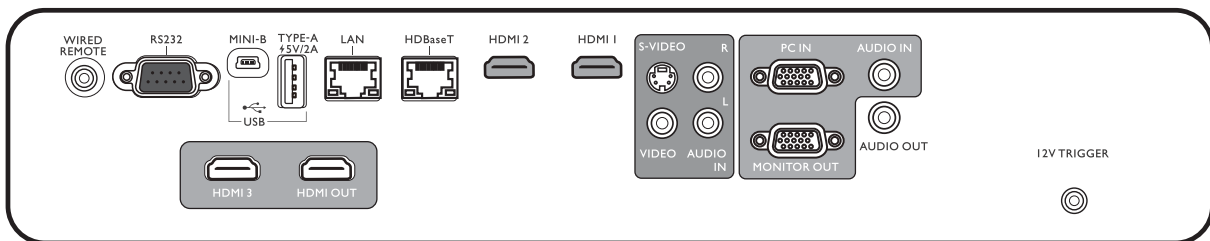


電源コード

仕様

	LU950/LU951	LU951ST
ディスプレイ システム	1-CHIP DMD	
解像度	1920 (H) x 1200 (V) WUXGA	
光源	レーザー ダイオード	
投写率	1.36 ~ 2.18	0.81 ~ 0.89
消費電力	530 W (最大)、< 0.5 W (スタンバイ)	
外形寸法	490 mm (幅) x 159 mm (高さ) x 380 mm (奥行き)	
重量	9.4 Kg (20.7 lbs)	

端末の制御



• WIRED REMOTE

有線リモコンに接続します。

• RS232

PC 制御システムとの接続、およびプロジェクターのお手入れのための標準 9-pin D-sub インターフェイス。

• USB MINI-B

ファームウェアのアップグレードのみ。

• USB TYPE A

5V/2A 出力に対応。

• LAN

RJ45 Cat5/Cat6 Ethernet ケーブルに接続し、ネットワークを介してプロジェクターを制御します。

• HDBaseT

RJ45 Cat5/Cat6 ケーブルに接続し、未圧縮高精細映像 (HD) を入力します。

• HDMI 2

HDMI 信号への接続。

• HDMI 1

HDMI 信号への接続。

• VIDEO

コンポジットビデオ信号への接続。

• S-VIDEO

S-Video 信号への接続。

• AUDIO IN L/R

オーディオケーブルやオーディオ L/R ケーブルを使った音声入力信号への接続。

• PC IN

RGB 信号または PC に接続するための 15-pin VGA ポート。

• **MONITOR OUT**

その他のディスプレイ機器に接続し、同時再生します。(PC IN ポートで使用)

• **AUDIO IN**

オーディオケーブルを使った音声入力信号への接続。(PC IN ポートで使用)

• **AUDIO OUT**

スピーカーまたはヘッドセットへの接続。

• **12V TRIGGER**

電動スクリーンやライトコントロールなどの外部デバイスを機能させます。

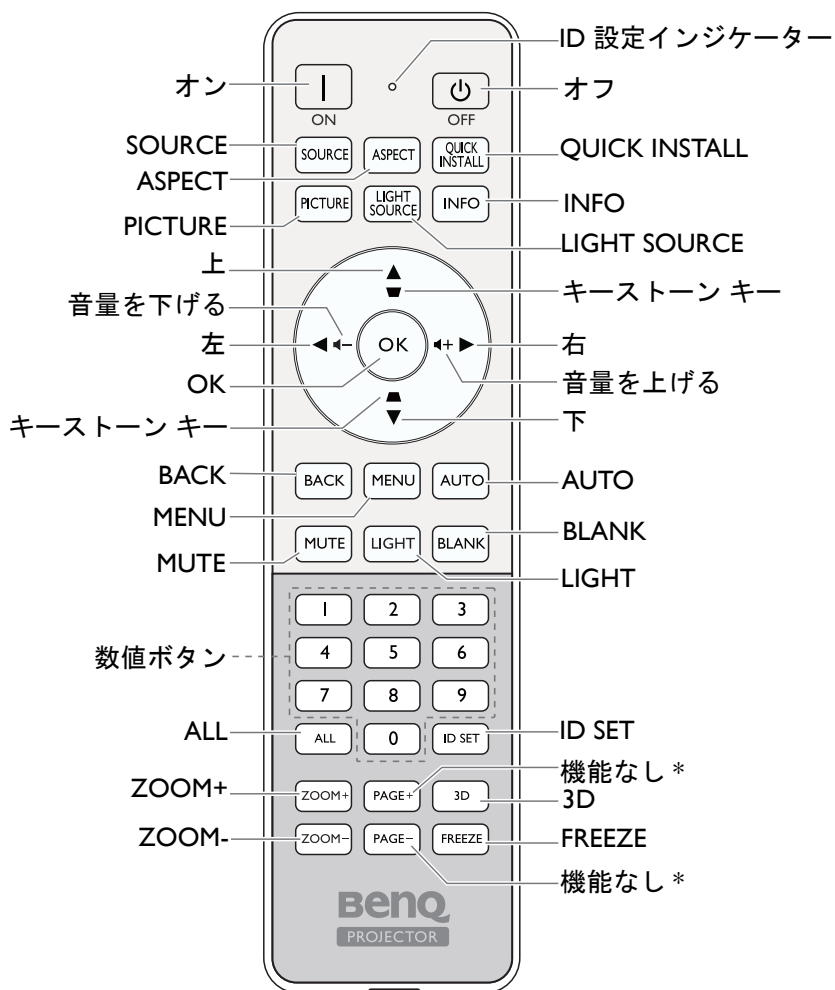
• **HDMI 3**


HDMI 信号への接続。

• **HDMI OUT**

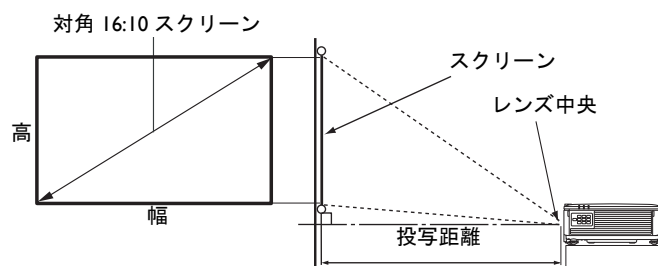
その他のディスプレイ機器に接続し、同時再生します。(HDMI 3 ポートで使用)

リモコン



 * このボタンはこのモデルでは使用できません。

設置 投写サイズ



スクリーンの縦横比は 16:10 であり、投写画像の縦横比は 16:10 です

スクリーンサイズ				スクリーンからの距離 (mm)		
対角		幅 (mm)	高 (mm)	最短	平均	最長
インチ	mm			(最大ズーム)		(最小ズーム)
30	762	646	404	879	1144	1409
40	1016	862	538	1172	1525	1878
50	1270	1077	673	1465	1906	2348
60	1524	1292	808	1758	2287	2817
80	2032	1723	1077	2343	3050	3756
90	2286	1939	1212	2636	3431	4226
100	2540	2154	1346	2929	3812	4696
110	2794	2369	1481	3222	4194	5165
120	3048	2585	1615	3515	4575	5635
130	3302	2800	1750	3808	4956	6104
140	3556	3015	1885	4101	5337	6574
150	3810	3231	2019	4394	5719	7043
160	4064	3446	2154	4687	6100	7513
170	4318	3662	2289	4980	6481	7982
180	4572	3877	2423	5273	6862	8452
190	4826	4092	2558	5566	7244	8922
200	5080	4308	2692	5859	7625	9391
250	6350	5385	3365	7323	9531	11739
300	7620	6462	4039	8788	11437	14087

LU951ST

スクリーンサイズ				スクリーンからの距離 (mm)		
対角		幅 (mm)	高 (mm)	最短 (最大ズーム)	平均	最長 (最小ズーム)
インチ	mm					
30	762	646	404	523	549	575
40	1016	862	538	698	732	767
50	1270	1077	673	872	915	958
60	1524	1292	808	1047	1098	1150
80	2032	1723	1077	1396	1465	1534
90	2286	1939	1212	1570	1648	1725
100	2540	2154	1346	1745	1831	1917
110	2794	2369	1481	1919	2014	2109
120	3048	2585	1615	2094	2197	2300
130	3302	2800	1750	2268	2380	2492
140	3556	3015	1885	2443	2563	2684
150	3810	3231	2019	2617	2746	2875
160	4064	3446	2154	2791	2929	3067
170	4318	3662	2289	2966	3112	3259
180	4572	3877	2423	3140	3295	3451
190	4826	4092	2558	3315	3479	3642
200	5080	4308	2692	3489	3662	3834
250	6350	5385	3365	4362	4577	4792
300	7620	6462	4039	5234	5492	5751



• 投写の質を最適化するためにも、グレイエリア以外で投写を行うことをお勧めします。

• 測定値はすべておよその値であり、実際のサイズにより変わります。

プロジェクターを一定場所に固定する予定であれば、設置を行う前に実際にプロジェクターを使って投写サイズと距離を測っておかれるようお勧めします。このように準備しておくことによって、プロジェクターを最適な位置に固定することができます。



• 天井に取り付ける場合は、専門の技師に依頼してください。詳細は、販売店にお問い合わせください。お客様ご自身で設置することはお勧めしません。

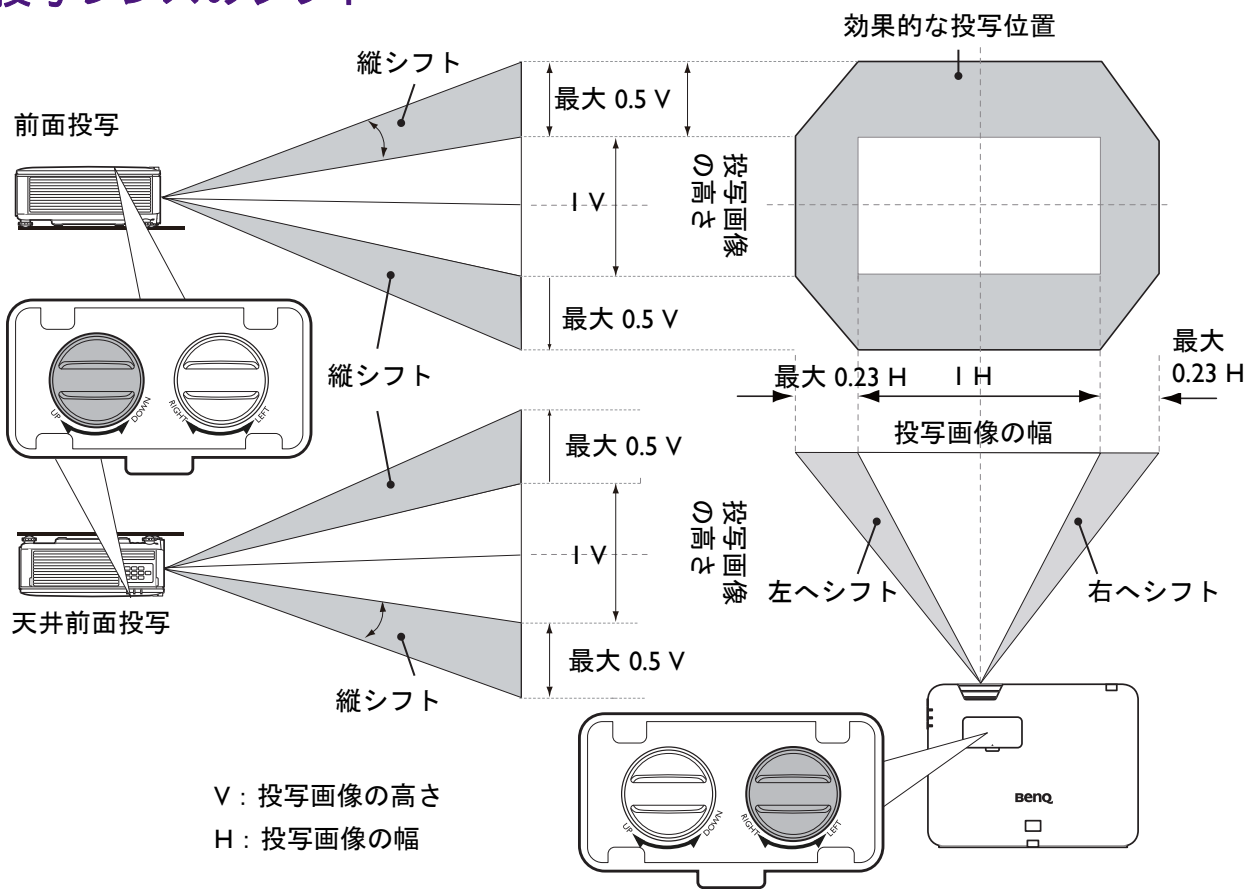
• 本機はしっかりとした、安定した場所でご使用ください。プロジェクターが落下すると、重傷を負ったり、破損の原因となります。

• 高温または低温の環境では本機をご使用にならないでください。プロジェクターは、華氏 32 度（摂氏 0 度）から華氏 104 度（摂氏 40 度）の環境でご使用ください。

• プロジェクターを湿度の高い場所、またはホコリや煙が立ちやすい場所でご使用になると、スクリーンの故障の原因となります。

• プロジェクターの通気口を塞がないでください。放熱には適切な通気が必要です。通気口を塞ぐと、プロジェクターの故障の原因となります。

プロジェクターの位置を設定する 投写レンズのシフト



LED インジケータ

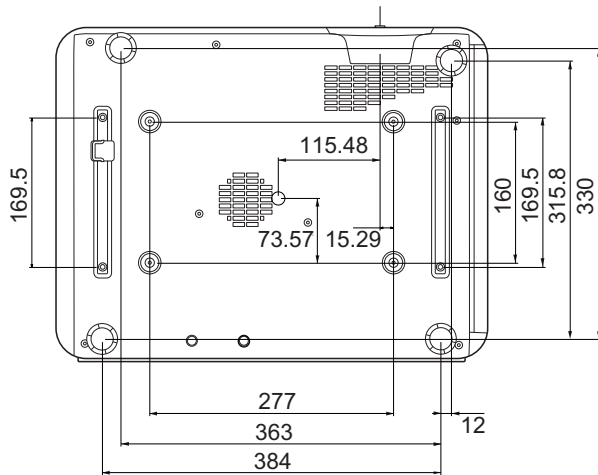
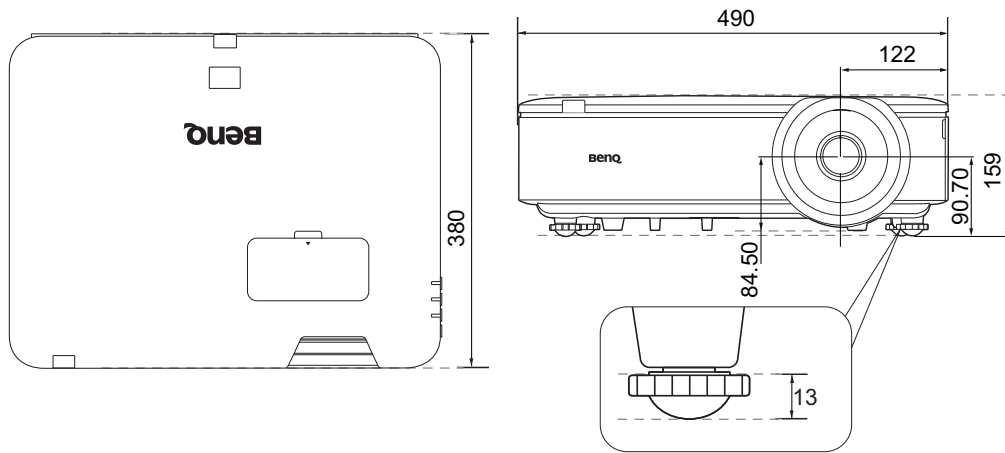
ライト			状態と説明
POWER	TEMP	LIGHT	
電源の状況			
			スタンバイ モードです。
			電源を入れています。
			通常動作状態です。
			通常の電源オフ冷却プロセスです。
			ダウンロード中。
			カラーホイールを開始できません。
			蛍光体ホイールを開始できません。
			書き込みオン。
			書き込みオフ。
光源イベント			
			光源の寿命が切れました
			通常動作時に光源エラー発生
			光源が点灯していません。
温度の状況			
			ファン1エラー（実際のファン速度が適正速度をオーバー）。
			ファン2エラー（実際のファン速度が適正速度をオーバー）。
			ファン3エラー（実際のファン速度が適正速度をオーバー）。
			ファン4エラー（実際のファン速度が適正速度をオーバー）。
			ファン5エラー（実際のファン速度が適正速度をオーバー）。
			ファン6エラー（実際のファン速度が適正速度をオーバー）。
			ファン7エラー（実際のファン速度が適正速度をオーバー）。
			ファン8エラー（実際のファン速度が適正速度をオーバー）。
			温度1エラー（上限温度オーバー）。
			感熱センサー1オープンエラー。
			感熱センサー1ショートエラー。
			感熱 IC #1 I2C 接続エラー。

	: Off	: オレンジ色点灯 : オレンジ色点滅	: 緑点灯 : 緑点滅	: 赤点灯 : 赤点滅
--	-------	------------------------	----------------	----------------

外形寸法

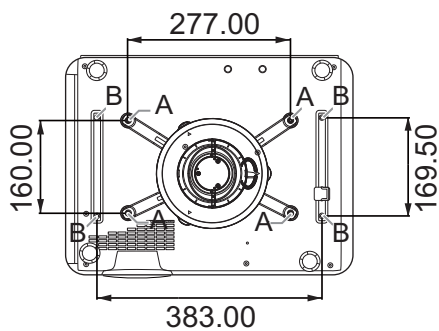
本機サイズ

490 mm (幅) × 159 mm (高さ) × 380 mm (奥行き)



単位 : mm

天井取り付け図



A : BenQ 天井取り付け CMG3 (5J.JAM10.001)

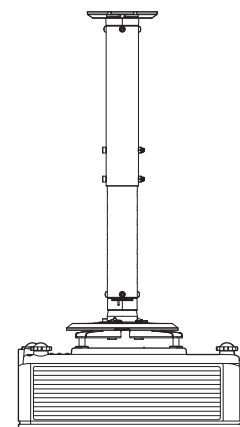
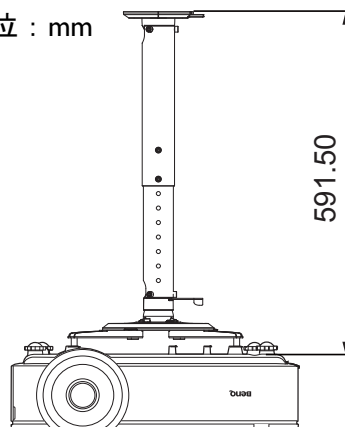
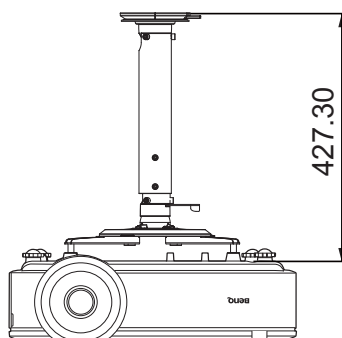
天井取り付けネジ : M4

(最長 = 25 mm、最短 = 20 mm)

B : サードパーティ向け取り付け用穴

ネジ : M6 (最長 = 8 mm)

単位 : mm

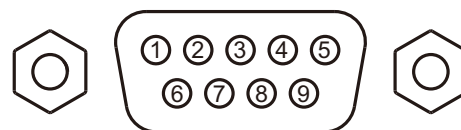


RS232 コマンド

RS232 ピン割り当て

番号	シリアル
1	NC
2	RX
3	TX
4	NC
5	GND

番号	シリアル
6	NC
7	RTSZ
8	CTSZ
9	NC



機能	タイプ	操作	ASCII
電源	ライト	電源オン	<CR>*pow=on#<CR>
	ライト	電源オフ	<CR>*pow=off#<CR>
	リード	電源状態	<CR>*pow=?#<CR>
ソース選択	ライト	COMPUTER/YPbPr	<CR>*sour=RGB#<CR>
	ライト	HDMI	<CR>*sour=hdmi#<CR>
	ライト	HDMI 2	<CR>*sour=hdmi2#<CR>
	ライト	HDMI 3	<CR>*sour=hdmi3#<CR>
	ライト	コンポジット	<CR>*sour=vid#<CR>
	ライト	S-Video	<CR>*sour=svid#<CR>
	ライト	HDbaseT	<CR>*sour=hdbaset#<CR>
	リード	現在のソース	<CR>*sour=?#<CR>
音声制御	ライト	ミュートオン	<CR>*mute=on#<CR>
	ライト	ミュートオフ	<CR>*mute=off#<CR>
	リード	メニューの状態	<CR>*mute=?#<CR>
	ライト	音量 +	<CR>*vol=+#<CR>
	ライト	音量 -	<CR>*vol=-#<CR>
	ライト	観客用音量レベル	<CR>*vol=value#<CR>
	リード	音量の状態	<CR>*vol=?#<CR>
オーディオ信号源選択	ライト	オーディオ バススルー オフ	<CR>*audiosour=off#<CR>
	ライト	オーディオ - コンピューター 1	<CR>*audiosour=RGB#<CR>
	ライト	オーディオ - ビデオ /S ビデオ	<CR>*audiosour=vid#<CR>
	ライト	オーディオ - HDMI	<CR>*audiosour=hdmi#<CR>
	ライト	オーディオ - HDMI2	<CR>*audiosour=hdmi2#<CR>
	ライト	オーディオ - HDMI3	<CR>*audiosour=hdmi3#<CR>
	リード	オーディオ バスの状態	<CR>*audiosour=?#<CR>
画像モード	ライト	プレゼンテーション	<CR>*appmod=preset#<CR>
	ライト	sRGB	<CR>*appmod=srgb#<CR>
	ライト	明るく	<CR>*appmod=bright#<CR>
	ライト	DICOM	<CR>*appmod=dicom#<CR>
	ライト	鮮明	<CR>*appmod=vivid#<CR>
	ライト	ユーザー設定 1	<CR>*appmod=user1#<CR>
	ライト	ユーザー設定 2	<CR>*appmod=user2#<CR>
	ライト	3D	<CR>*appmod=threed#<CR>
	リード	画像モード	<CR>*appmod=?#<CR>

機能	タイプ	操作	ASCII
画像設定	ライト	コントラスト +	<CR>*con=+#<CR>
	ライト	コントラスト -	<CR>*con=#<CR>
	リード	コントラスト値	<CR>*con=?#<CR>
	ライト	明度 +	<CR>*bri=+#<CR>
	ライト	明度 -	<CR>*bri=#<CR>
	リード	明度値	<CR>*bri=?#<CR>
	ライト	色 +	<CR>*color=+#<CR>
	ライト	色 -	<CR>*color=#<CR>
	リード	色値	<CR>*color=?#<CR>
	ライト	シャープネス +	<CR>*sharp=+#<CR>
	ライト	シャープネス -	<CR>*sharp=#<CR>
	リード	シャープネス値	<CR>*sharp=?#<CR>
	ライト	色温度 - 暖色	<CR>*ct=warm#<CR>
	ライト	色温度 - ノーマル	<CR>*ct=normal#<CR>
	ライト	色温度 - 寒色	<CR>*ct=cool#<CR>
	リード	色温度の状態	<CR>*ct=?#<CR>
	ライト	縦横比 4:3	<CR>*asp=4:3#<CR>
	ライト	縦横比 16:9	<CR>*asp=16:9#<CR>
	ライト	縦横比 16:10	<CR>*asp=16:10#<CR>
	ライト	自動縦横比	<CR>*asp=AUTO#<CR>
	ライト	実際比	<CR>*asp=REAL#<CR>
	リード	縦横比の状態	<CR>*asp=?#<CR>
	ライト	デジタルズームイン	<CR>*zoomI#<CR>
ライト	デジタルズームアウト	<CR>*zoomO#<CR>	
ライト	自動	<CR>*auto#<CR>	
Brilliant Color	ライト	ブリリアントカラー オン	<CR>*BC=on#<CR>
	ライト	ブリリアントカラー オフ	<CR>*BC=off#<CR>
	リード	ブリリアントカラーの状態	<CR>*BC=?#<CR>
操作設定	ライト	プロジェクターの投写位置 - 前面	<CR>*pp=FT#<CR>
	ライト	プロジェクターの投写位置 - リア	<CR>*pp=RE#<CR>
	ライト	プロジェクターの投写位置 - 天井	<CR>*pp=RC#<CR>
	ライト	プロジェクターの投写位置 - 天井	<CR>*pp=FC#<CR>
	ライト	クイック自動検索	<CR>*QAS=on#<CR>
	ライト	クイック自動検索	<CR>*QAS=off#<CR>
	リード	クイック自動検索の状態	<CR>*QAS=?#<CR>
	リード	プロジェクターの投写位置の状態	<CR>*pp=?#<CR>
	ライト	ダイレクト電源オン - オン	<CR>*directpower=on#<CR>
	ライト	ダイレクト電源オン - オフ	<CR>*directpower=off#<CR>
	リード	ダイレクト電源オン - 状態	<CR>*directpower=?#<CR>
	ライト	信号電源オン - オン	<CR>*autopower=on#<CR>
	ライト	信号電源オン - オフ	<CR>*autopower=off#<CR>
	リード	信号電源オン - 状態	<CR>*autopower=?#<CR>
	ライト	待機設定 - ネットワークオン	<CR>*standbynet=on#<CR>
	ライト	待機設定 - ネットワークオフ	<CR>*standbynet=off#<CR>
	リード	待機設定 - ネットワークの状態	<CR>*standbynet=?#<CR>
	ライト	待機設定 - モニター出力オン	<CR>*standbymnt=on#<CR>
	ライト	待機設定 - モニター出力オフ	<CR>*standbymnt=off#<CR>
	リード	待機設定 - モニター出力の状態	<CR>*standbymnt=?#<CR>

機能	タイプ	操作	ASCII
ボーレート	ライト	9600	<CR>*baud=9600#<CR>
	ライト	14400	<CR>*baud=14400#<CR>
	ライト	19200	<CR>*baud=19200#<CR>
	ライト	38400	<CR>*baud=38400#<CR>
	ライト	57600	<CR>*baud=57600#<CR>
	ライト	115200	<CR>*baud=115200#<CR>
	リード	現在のボーレート	<CR>*baud=?#<CR>
ランプ制御	リード	ランプ時間	<CR>*ltim=?#<CR>
	ライト	標準モード	<CR>*lampm=lnor#<CR>
	ライト	Eco モード	<CR>*lampm=eco#<CR>
	ライト	調光モード	<CR>*lampm=dimming#<CR>
	ライト	カスタムモード	<CR>*lampm=custom#<CR>
	ライト	カスタムモードの光量	<CR>*lampcustom=value#<CR>
	リード	カスタムモードの光量の状態	<CR>*lampcustom=?#<CR>
	リード	ランプモードの状態	<CR>*lampm=?#<CR>
その他	リード	型番	<CR>*modelname=?#<CR>
	ライト	消画オン	<CR>*blank=on#<CR>
	ライト	消画オフ	<CR>*blank=off#<CR>
	リード	消画の状態	<CR>*blank=?#<CR>
	ライト	フリーズ オン	<CR>*freeze=on#<CR>
	ライト	フリーズ オフ	<CR>*freeze=off#<CR>
	リード	フリーズの状態	<CR>*freeze=?#<CR>
	ライト	メニューオン	<CR>*menu=on#<CR>
	ライト	メニューオフ	<CR>*menu=off#<CR>
	ライト	上	<CR>*up#<CR>
	ライト	下	<CR>*down#<CR>
	ライト	右	<CR>*right#<CR>
	ライト	左	<CR>*left#<CR>
	ライト	入力	<CR>*enter#<CR>
	ライト	3D 同期オフ	<CR>*3d=off#<CR>
	ライト	3D 自動	<CR>*3d=auto#<CR>
	ライト	3D 同期上 - 下	<CR>*3d=tb#<CR>
	ライト	3D 同期フレームシーケンシャル	<CR>*3d=fs#<CR>
	ライト	3D フレーム パッキング	<CR>*3d=fp#<CR>
	ライト	3D サイドバイサイド	<CR>*3d=sbs#<CR>
	ライト	3D インバーター無効	<CR>*3d=da#<CR>
	ライト	3D インバーター	<CR>*3d=iv#<CR>
	リード	3D 同期の状況	<CR>*3d=?#<CR>
	ライト	遠隔受信装置 - 正面 + 背面	<CR>*rr=fr#<CR>
	ライト	リモート受信器 - 正面	<CR>*rr=f#<CR>
	ライト	リモート受信機 - 背面	<CR>*rr=r#<CR>
	リード	リモート受信機の状態	<CR>*rr=?#<CR>
	ライト	AMX デバイス検索 - オン	<CR>*amxdd=on#<CR>
	ライト	AMX デバイス検索 - オフ	<CR>*amxdd=off#<CR>
	リード	AMX デバイス検索の状態	<CR>*amxdd=?#<CR>
	リード	Mac アドレス	<CR>*macaddr=?#<CR>
	ライト	高地モードオン	<CR>*Highaltitude=on#<CR>
	ライト	高地モードオフ	<CR>*Highaltitude=off#<CR>
	リード	高地モードの状態	<CR>*Highaltitude=?#<CR>

Regulatory Statements

V2.1

Note: Not all models are available in all regions. If certain safety regulations are required for specific region, BenQ ensures that products available in that region are complied with the requested regulations.

(for North America laser aperture label)



(for other regions)



Complies with 21 CFR 1040.10 and 1040.11 as a Risk Group 2

LIP as defined in IEC 62471:2006 except for deviations pursuant to Laser Notice No. 50, dated June 24, 2007.

Caution – Use of controls or adjustments or performance of procedures other than those specified herein may result in hazardous radiation exposure.

Laser Caution (if product includes laser light source module)

English

This product belongs to CLASS 1 laser product.

- LASER RADIATION -- AVOID DIRECT EYE EXPOSURE, CLASS 1 LASER PRODUCT.

Attention laser (si le produit comprend un module source lumineuse à laser)

Français

Ce produit appartient à des produits laser de CLASS 1.

- RAYONNEMENT LASER -- ÉVITER UNE EXPOSITION DIRECTE AUX YEUX, PRODUIT LASER DE CLASSE 1.

Precaución láser (si el producto incluye un módulo de fuente de luz láser)

Español

Este dispositivo pertenece al producto láser de CLASE 1

- RADIACIÓN LÁSER -- EVITAR LA EXPOSICIÓN OCULAR DIRECTA, PRODUCTO LÁSER DE CLASE 1.

Laser Warnung (falls das Produkt ein Modul mit Laser als Lichtquelle enthält)

Deutsch

Dieses Produkt ist ein KLASSE 1 Laser Produkt.

- LASER STRAHLUNG -- DIREKTEN KONTAKT MIT DEN AUGEN VERMEIDEN, KLASSE 1 LASER PRODUKT.

Precauzioni sul laser (se il prodotto include il modulo sorgente luce laser)

Italiano

Il prodotto appartiene alla CLASSE 1 di prodotti laser.

- RADIAZIONE LASER -- EVITARE L'ESPOSIZIONE DIRETTA DEGLI OCCHI, PRODOTTO LASER DI CLASSE 1.

Предупреждение о лазере (если в устройстве используется источник лазерного излучения)

Русский

Этот продукт относится к лазерным устройствам Класса 1.

- ЛАЗЕРНОЕ ИЗЛУЧЕНИЕ -- ИЗБЕГАЙТЕ ПРЯМОГО ПОПАДАНИЯ В ГЛАЗА. ЛАЗЕРНОЕ УСТРОЙСТВО КЛАССА 1.

Laser – var försiktig! (om produkten innehåller en laserljuskälla)

Svenska

Denna enhet är en KLASS 1 laserprodukt.

- LASERSTRÅLNING -- UNDVIK DIREKTKONTAKT MED ÖGONEN. KLASS 1 LASERPRODUKT.

Waarschuwing m.b.t. de laser (als het product een laserlichtbronmodule bevat)

Nederlands

Dit product bevat een laserproduct van klasse 1.

- LASERSTRALING -- VERMIJD DIRECTE BLOOTSTELLING AAN DE OGEN, LASERPRODUCT VAN KLASSE 1.

Ostrzeżenie dotyczące lasera (jeśli urządzenie zawiera źródło światła laserowego)

Polski

Ten produkt należy do urządzeń laserowych KLASY 1.

- PROMIENIOWANIE LASEROWE -- UNIKAJ BEZPOŚREDNIEGO KONTAKTU Z OCZAMI — URZĄDZENIE LASEROWE KLASY 1.

Upozornění na laser (pokud produkt obsahuje modul laserového zdroje světla)

Čeština

Tento produkt patří do skupiny laserových produktů TŘÍDY 1.

- LASEROVÉ ZÁŘENÍ -- NEDOVOLTE PŘÍMÝ KONTAKT S OČIMA, LASEROVÝ PRODUKT TŘÍDY 1.

Lazer Uyarısı (eğer üründe lazer ışık kaynağı modülü varsa)

Türkçe

Bu ürün SINIF 1 lazer ürünü grubundadır.

- LAZER RADYASYONU -- DOĞRUDAN GÖZE MARUZ BIRAKMAYINIZ, SINIF 1 LAZER ÜRÜNÜ.

Precaução Laser (se o produto incluir módulo de fonte de luz laser)

Português

Este produto pertence à CLASSE 1 dos produtos laser.

- RADIAÇÃO LASER -- EVITAR A EXPOSIÇÃO DIRETA DOS OLHOS, PRODUTO LASER CLASSE 1.

Vigyázat, lézer (ha a termék lézer fényforrással működő modult tartalmaz)

Magyar

Ez a termék egy 1. OSZTÁLYÚ lézer termék.

- LÉZER SUGÁRZÁS -- NE NÉZZEN KÖZVETLENÜL BELE A SUGÁRBA, 1. OSZTÁLYÚ LÉZER TERMÉK.

Внимание, лазер! (Ако продуктът включва модул с лазер като светлинен източник)

Български

Този продукт принадлежи към лазерни продукти от КЛАС 1.

- ЛАЗЕРНА РАДИАЦИЯ -- ДА СЕ ИЗБЯГВА ПРЯК КОНТАКТ С ОЧИТЕ. ЛАЗЕРЕН ПРОДУКТ ОТ КЛАС 1.

Upozorenje o laseru (ako proizvod ima modul laserskog izvora svjetla)

Hrvatski

Ovaj proizvod je laserski proizvod Klase 1.

- LASERSKO ZRAČENJE -- IZBJEGAJTE IZRAVNO IZLAGANJE OČIJU, LASERSKI PROIZVOD KLASSE 1.

Atenționare privind laserul (dacă produsul include un modul sursă de lumină cu laser)

Română

Acest produs se încadrează în CLASA 1 de produse laser.

- RADIAȚIE LASER -- EVITAȚI EXPUNEREA DIRECTĂ A OCHILOR, PRODUS LASER CLASA 1.

Προσοχή Λείζερ (εάν το προϊόν περιλαμβάνει μονάδα φωτ. πηγής λείζερ)

Ελληνικά

Το προϊόν ανήκει στα προϊόντα λείζερ ΚΑΤΗΓΟΡΙΑΣ 1.

- ΑΚΤΙΝΟΒΟΛΙΑ ΛΕΙΖΕΡ -- ΝΑ ΑΠΟΦΕΥΓΕΤΕ ΤΗΝ ΑΠΕΥΘΕΙΑΣ ΕΚΘΕΣΗ ΤΩΝ ΜΑΤΙΩΝ, ΠΡΟΪΟΝ ΛΕΙΖΕΡ ΚΑΤΗΓΟΡΙΑΣ 1.

Laser - forsigtig (hvis produktet inkluderer modul med laserlyskilde)

Dansk

Dette produkt er et KLASSE 1 laserprodukt.

- LASERSTRÅLING -- UNDGÅ AT UDSÆTTE ØJNENE DIREKTE. KLASSE 1 LASERPRODUKT.

Varoitus laserista (jos tuotteessa on laser-valon lähde)

Suomi

Tämä tuote on 1-LUOKAN laser-tuote.

- LASER-SÄTEILY -- VÄLTÄ AINEEN JOUTUMISTA SILMIIN, 1-LUOKAN LASER-TUOTE.

Forsiktighetsregel for lasere (hvis produktet inkluderer en modul for laserlyskilde)

Norwegian

Dette produktet tilhører klasse 1 laserprodukt .

- LASER STRÅLING -- UNNGÅ DIREKTE ØYEEKSPONERING, CLASS 1 LASER PRODUCT.

For Assessment of Photobiological Safety of Lamps and Lamp Systems

Risk Group 2

1. According to the classification of photobiological safety of lamps and lamp systems, this product is Risk Group 2, IEC 62471-5:2015 (as Figure 1).
2. Possibly hazardous optical radiation emitted from this product
3. Do not stare at operating lamp. May be harmful to the eyes.
4. As with any bright source, do not stare into the direct beam.



Figure 1: IEC 62471-5:2015

Battery caution (if product includes remote control)

- Do not put the remote control in the direct heat, humidity & Avoid fire.
- Do not drop the remote control.
- Do not expose the remote control to water or moisture, this could result in malfunction.
- Confirm there is no object between the remote control and the remote sensor of the product.
- When the remote control will not be used for an extended period, remove the batteries.

Battery safety notice (if product includes remote control)

The use of the wrong type of batteries may cause chemical leaks or explosion. Please note the following:

- Always ensure that the batteries are inserted with the positive and negative terminals in the correct direction as shown in the battery compartment.
- Different types of batteries have different characteristics. Do not mix different types.
- Do not mix old and new batteries. Mixing old and new batteries will shorten battery life or cause chemical leaks from the old batteries.
- When batteries fail to function, replace them immediately.
- Chemicals which leak from batteries may cause skin irritation. If any chemical matter seeps out of the batteries, wipe it up immediately using a dry cloth, and replace the batteries as soon as possible.
- Due to varying storage conditions, the battery life for the batteries included with your product may be shortened. Replace them within 3 months or as soon as you can after initial use.
- There may be local restrictions on the disposal or recycling of batteries. Consult your local regulations or waste disposal provider.

Accessibility Requirements for Rehabilitation Act of 1973, Section 508

BenQ's commitment to accessible products allows us to support government in making accessible technology choices. BenQ's LCD monitors and projectors are compliant with Section 508 guidelines by including the assistive features as below:

- BenQ's monitors have colored "Power" indicators. While the indicator shows green, it means that the monitor is using the full power. While the indicator shows yellow or amber, it means that the monitor is in suspend or sleep mode and is using less than 2watts of electricity.
- BenQ's monitors have a variety of settings of pre-programmed flicker-free timing to make the screen shown on the monitor readily accessible. The default timing setting is automatically turned on every time the monitor is powered up, and thus reduces the hassle of user intervention.
- BenQ's monitors and projectors have options for brightness and contrast adjustments that text and images could be displayed differently to meet the demands of the visually impaired. Other similar adjustments are also available by using the On-Screen Display (OSD) controls on the products.
- BenQ's multimedia monitors and projectors usually have one or two speakers for audio performance which allow users (including hearing impaired) to interact with the computer systems connected. Speaker controls are typically located on the front-panel.
- Firmware of BenQ's monitors and projectors contain unique product information that helps computer systems to identify BenQ products and activate their Plug-and-Play function when connected.
- All BenQ's monitors and projectors are compatible with the PC99 standard. For example, connectors are color-coded to help users easily connecting products to computer systems correctly.
- Some models of BenQ's monitors and projectors contain additional USB and DVI ports for connection to more devices such as a special headphone to assist the hearing impaired.
- All BenQ monitors and projectors come with user manuals on compact discs which could be easily read by commercial software such as Adobe Reader via a connected computer system. These documents are also available on the BenQ's web site (www.BenQ.com). Other types of documents may be available upon requests.
- BenQ's customer service provides answers and assistance to all our customers through phone calls, facsimiles, e-mails, or web sites.

RoHS Statement

This product is compliant to implemented RoHS (Restriction of Hazardous Substances) type regulations worldwide, including but not limited to China, India, Japan, Korea and European Union.

Turkey RoHS

EEE Yönetmeliğine Uygun Elektrikli Ve Elektronik Eşyalarda Bazı Zararlı Maddelerin Kullanımının Sınırlanmasına Dair Yönetmelik

Ukraine RoHS

України ТЕХНІЧНИЙ РЕГЛАМЕНТ обмеження використання деяких небезпечних речовин в електричному та електронному обладнанні (від 3 грудня 2008 р. N 1057): Обладнання відповідає вимогам Технічного регламенту обмеження використання деяких небезпечних речовин в електричному та електронному обладнанні

India RoHS

Restriction on Hazardous Substances statement (India)

This product complies with the "India" E-waste Rule 2016" and prohibits use of lead, mercury, hexavalent chromium, polybrominated biphenyls or PolyBrominated Diphenyl Ethers in concentrations exceeding 0.1 weight% and 0.01 weight for cadmium except for exemptions set in Schedule 2 of the Rule.

Vietnam RoHS

Công ty BenQ tuyên bố rằng tất cả các sản phẩm mang nhãn hiệu BenQ được thiết kế và sản xuất phù hợp với Thông tư 30/2011/TT-BCT của Việt Nam về việc hạn chế các chất độc hại và nồng độ tối đa của chất độc cho phép trong các vật liệu đồng nhất (ngoại trừ các trường hợp miễn trừ được liệt kê trong Thông tư này).

For UK only

- The mains lead (power cable) on the equipment comes with a moulded plug incorporating a fuse.
- The rating of the fuse is indicated on the pin face of the plug and, if it requires replacing, a fuse approved by ASTA or BSI to BS 1362 of the same rating must be used.
- If the plug has a detachable fuse cover, remember to place the fuse cover back if you need to change the fuse.
- Do NOT use a plug without the fuse cover. If the fuse cover is missing, contact your nearest BenQ Customer Service Center for assistance.

EU DOC

DECLARATION OF CONFORMITY

English

The device complies with the requirements set out in the Council Directives on the Approximation of the Laws of the Member States relating Electromagnetic Compatibility (2014/30/EU) and Low Voltage Directive (2014/35/EU) and Radio Equipment Directive (2014/53/EU), the Restriction of The Use of Certain Hazardous Substances in Electrical And Electronic Equipment Directive (2011/65/EU), Turkish EEE Directive; Turkish ErP (Decision 2010/643);the Commission Regulation (EC) No 1275/2008 implementing Directive 2005/32/EC of the European Parliament and of the Council with regard to eco-design requirements for standby and off mode electric power consumption of electrical and electronic household and office equipment, and the Directive 2009/125/EC of the European parliament and of the council establishing a framework for the setting of eco-design requirements for energy-related products.

DÉCLARATION DE CONFORMITÉ

Français

Cet appareil est conforme aux exigences énoncées dans les directives du Conseil sur le rapprochement des législations des États membres concernant la compatibilité électromagnétique (2014/30/CE) et la Directive basse tension (2014/35/CE), la Directive équipements radio (2014/53/EC), la directive relative à la limitation de l'utilisation de certaines substances dangereuses dans les équipements électriques et électroniques(2011/65/UE), la directive EEE turc, ErP turc (décision 2010/643), le règlement (CE) n° 1275/2008 mettant en œuvre la directive 2005/32/CE du Parlement européen et du Conseil en ce qui concerne les exigences d'écoconception pour le mode veille et arrêt de la consommation d'énergie électrique d'appareils électriques et électroniques et matériel de bureau, et de la Directive 2009/125/EC du Parlement européen et du Conseil établissant un cadre pour la fixation d'exigences en matière d'écoconception applicables aux produits liés à l'énergie.

DECLARACIÓN DE CONFORMIDAD

Español

Este dispositivo cumple con los requisitos establecidos en las Directivas del Consejo sobre la Aproximación de las Leyes de los Estados Miembros en relación con la Directiva de Compatibilidad Electromagnética (2014/30/EC) y Directiva de Bajo Voltaje (2014/35/EC) y la Directiva de equipos de radio (2014/53/EC), la Directiva sobre la restricción del uso de ciertas sustancias peligrosas en equipos eléctricos y electrónicos (2011/65/UE), la directiva EEE turca; ErP turca (Decisión 2010/643); Reglamento (CE) n° 1275/2008 de la Comisión, por el que se desarrolla la Directiva 2005/32/CE del Parlamento Europeo y del Consejo en lo concerniente a los requisitos de diseño ecológico aplicables al consumo de energía eléctrica en los modos preparado y desactivado de los equipos eléctricos y electrónicos domésticos y de oficina y la Directiva 2009/125/EC del Parlamento Europeo y del Consejo por la que se instaura un marco para el establecimiento de requisitos de diseño ecológico aplicables a los productos relacionados con la energía.

KONFORMITÄTSEKTLÄRUNG

Deutsch

Dieses Gerät erfüllt die Voraussetzungen, welche in den Richtlinien zur Angleichung der Rechtsvorschriften der Mitgliedstaaten in Bezug auf elektromagnetische Kompatibilität (2014/30/EC), Niederspannungsrichtlinie (2014/35/EC), Richtlinie für Funkanlagen (2014/53/EC), Beschränkung der Verwendung bestimmter gefährlicher Stoffe in Elektro- und Elektronikgeräten (2011/65/EU), Türkische EEE-Direktive, Türkische ErP (Entscheidung 2010/643), Kommissionreglementierung (EC) Nr. 1275/2008 zur Ausführung der Direktive 2005/32/EC des Europaparlamentes und des Rats für Öko-Design-Voraussetzungen für Stromverbrauch im Standby- und Aus-Modus von Elektro- und Elektronikgeräten für den Heim- und Bürogebrauch und die Direktive 2009/125/EC des Europaparlamentes und es Rats zu Etablierung eines Rahmens zum Aufstellen von Voraussetzungen für Öko-Designs für Energie verbrauchende Produkte aufgestellt wurden.

DICHIARAZIONE DI CONFORMITÀ

Italiano

Il dispositivo è conforme con i requisiti esposti nel Consiglio Direttivo in materia di Approssimazione delle Leggi degli Stati Membri in relazione alla Compatibilità Elettromagnetica (2014/30/EC) e alla Direttiva basso voltaggio (2014/35/EC) e alla Direttiva sugli Apparati Radio (2014/53/EC), Direttiva sulla restrizione dell'uso di sostanze pericolose nelle apparecchiature elettriche ed elettroniche (RoHS) (2011/65/UE), Direttiva EEE turca, ErP turca (Decisione 2010/643), Regolamento della Commissione (EC) No 1275/ 2008 che implementa la Direttiva 2005/32/EC del Parlamento europeo e del Consiglio in merito ai requisiti di ecodesign per il consumo di alimentazione elettrica in modalità standby e spento per le apparecchiature elettriche domestiche e di lavoro, e la Direttiva 2009/ 125/EC del Parlamento europeo e del Consiglio che stabilisce la struttura dell'impostazione dei requisiti di ecodesign per prodotti basati su energia.

ЗАЯВЛЕНИЕ О СООТВЕТСТВИИ

Русский

Это устройство соответствует требованиям Комиссии на основе законов государств-участников относительно электромагнитной совместимости (2014/30/EC), директиве для низковольтного оборудования (2014/35/EC) и Директива о радиооборудовании (2014/53/EC), Директивы по ограничению использования некоторых опасных веществ в электрическом и электронном оборудовании (2011/65/EU), Турецкой директивы EEE, Турецкой ErP (Решение 2010/643); Правил комиссии (EC) No 1275/2008 обеспечивающей выполнение Директивы 2005/32/EC Европейского Парламента и Совета относительно требований экодизайна для потребления энергии в режиме ожидания и в режиме отключения бытовым электрическим и электронным оборудованием и офисной техникой, и Директивой 2009/125/EC Европейского парламента и совета, установившего рамки для создания требований экодизайна для электроприборов.

KONFORMITETSDEKLARATION

Svenska

Denna enhet uppfyller kraven i rådets direktiv om tillnärmning av medlemsstaternas lagstiftning om elektromagnetisk kompatibilitet (2014/30/EG) och lågspänningsdirektiv (2014/35/EG) och direktivet om radioutrustning (2014/53/EC), begränsning av användningen av vissa farliga ämnen i elektriska och elektroniska produkter (2011/65/EU), turkiskt EEE-direktiv, turkiskt ErP (beslut 2010/643); kommissionsbestämmelse (EG) nr. 1275/2008 med implementering av direktiv 2005/32/EG i

Europaparlamentet och rådet för att fastställa krav på ekodesign för standby- och av-läge för strömförbrukning i elektriska och elektroniska hushålls- och kontorsapparater, och Europaparlamentets och rådets direktiv [2009/125/EG](#) om upprättande av en ram för att fastställa krav på ekodesign för energirelaterade produkter.

VERKLARING VAN OVEREENSTEMMING

Nederlands

Dit apparaat voldoet aan de vereisten van de Richtlijn van de Raad betreffende de onderlinge aanpassing van de wetgevingen van de lidstaten inzake elektromagnetische compatibiliteit ([2014/30/EG](#)) en de Richtlijn betreffende Lage spanningen ([2014/35/EG](#)) en de Richtlijn betreffende Radioapparatuur ([2014/53/EG](#)), betreffende de beperkingen van het gebruik van bepaalde gevaarlijke stoffen in elektrische en elektronische apparatuur ([2011/65/EU](#)), Turkse EEE Richtlijn, Turkse ErP (Bepaling 2010/643), Verordening (EG) nr. 1275/2008 tot vaststelling van uitvoeringsbepalingen van Richtlijn [2005/32/EC](#) van het Europees Parlement en de Raad, wat betreft voorschriften inzake ecologisch ontwerp voor het elektriciteitsverbruik van elektrische en elektronische huishoud- en kantoorapparatuur in de stand-by-stand en de uit-stand, en Richtlijn [2009/125/EC](#) van het Europees Parlement en de Raad betreffende de totstandbrenging van een kader voor het vaststellen van eisen inzake ecologisch ontwerp voor energiegerelateerde producten.

Oświadczenie zgodności

Polski

To urządzenie jest zgodne z wymaganiami ustalonymi Dyrektywą Rady o zbliżeniu przepisów prawnych państw członkowskich dotyczących kompatybilności elektromagnetycznej ([2014/30/EC](#)), dyrektywą niskiego napięcia ([2014/35/EC](#)), dyrektywa w sprawie urządzeń radiowych ([2014/53/EC](#)), dyrektywą ograniczenia stosowania niektórych niebezpiecznych substancji w wyposażeniu elektrycznym i elektronicznym ([2011/65/EU](#)), turecką dyrektywą EEE, turecką ERP (decyzja 2010/643), rozporządzeniem komisji (WE) nr 1275/2008 w sprawie wykonania dyrektywy [2005/32/WE](#) Parlamentu Europejskiego i Rady w odniesieniu do wymogów dotyczących ekoprojektu dla zużycia energii przez elektryczne i elektroniczne urządzenia gospodarstwa domowego i urządzenia biurowe w trybie czuwania i wyłączenia oraz dyrektywą [2009/125/EC](#), ustanawiającą ogólne zasady ustalania wymogów dotyczących ekoprojektu dla produktów związanych z energią.

PROHLÁŠENÍ O SHODĚ

Čeština

Toto zařízení odpovídá požadavkům stanoveným ve směrnici Rady o sblížení právních předpisů členských států týkajících se elektromagnetické kompatibility ([2014/30/ES](#)), ve směrnici týkající se nízkonapěťových zařízení ([2014/35/ES](#)), ve směrnice o rádiových zařízeních ([2014/53/ES](#)), ve směrnici o omezení používání některých nebezpečných látek v elektrických a elektronických zařízeních ([2011/65/EU](#)), v turecké směrnici EEE, turecké ErP (rozhodnutí 2010/643); v nařízení Komise (ES) č. 1275/2008, kterým se provádí směrnice [2005/32/ES](#) Evropského parlamentu a Rady týkající se požadavků na ekodesign z hlediska spotřeby elektrické energie u elektrických a elektronických zařízení v pohotovostním režimu a ve vypnutém stavu určených pro domácnosti a kanceláře avěsměrnici Evropského parlamentu a Rady [2009/125/ES](#) o stanovení rámce pro určení požadavků na ekodesign výrobků spojených se spotřebou energie.

UYUM BEYANI

Türkçe

Bu aygıt Üye Ülkelerin Yasalarının Yakınlaştırılması bağlamında Konsey Direktifleri dahilinde getirilen gereklilikler, Elektromanyetik Uyumluluk ([2014/30/EC](#)) ve Düşük Voltaj Direktifi ([2014/35/EC](#)) ve Radyo Ekipmanı Direktifi ([2014/53/EC](#)), Elektrikli ve Elektronik Aletlerde Tehlikeli Maddelerin Kullanımıyla İlgili Sınırlamalar Direktifi ([2011/65/EU](#))'i, Türkiye EEE Direktifi, Türkiye ErP (Karar 2010/643); Avrupa Parlamentosu ve Konseyinin elektrikli ve elektronik ev aletleri ve büro ekipmanlarının bekleme ve kapalı moddayken elektrik tüketimleriyle ilgili eko-tasarım gereklilikleri bağlamında yayınlamış olduğu [2005/32/EC](#) numaralı Direktifin uygulanmasıyla ilgili Komisyon Tüzüğü (EC) No 1275/2008 ve Avrupa Parlamentosu ve Konseyinin enerji sarfiyatıyla ürünlerin eko-tasarım gerekliliklerinin düzenlenmesi bağlamında bir çerçeve çizen [2009/125/EC](#) numaralı Direktifiyle uyumludur.

DECLARAÇÃO DE CONFORMIDADE

Português

O dispositivo está conforme aos requisitos definidos pelas Directivas do Conselho sobre a Aproximação das Leis dos Estados-Membros relativamente à Compatibilidade Electromagnética ([2014/30/CE](#)) e Directiva de Baixa Tensão ([2014/35/CE](#)) e Directiva relativa aos equipamentos de rádio ([2014/53/CE](#)), a restrição do uso de determinadas substâncias perigosas em equipamentos eléctricos e electrónicos ([2011/65/EU](#)), Directiva Turca EEE, ErP Turca (Decisão 2010/643), Regulamento da Comissão (EC) nº. [1275/2008](#) que implementa a Directiva 2005/32/EC do Parlamento Europeu e do Conselho relativamente aos requisitos de eco-design para consumo de energia eléctrica no modo de suspensão e desligado de equipamentos eléctricos e electrónicos domésticos e de escritório, e a Directiva [2009/125/EC](#) do Parlamento Europeu e do Conselho, que estabelece uma base para a definição dos requisitos de eco-design para produtos relacionados com energia.

MEGFELELŐSÉGI NYILATKOZAT

Magyar

Az eszköz megfelel a Bizottság tagállamainak harmonizált jogszabályainak az elektromágneses kompatibilitás (2014/30/EK) és a kisfeszültségű direktíva (2014/35/EK), a rádióberendezésekre vonatkozó irányelv (2014/53/EK), továbbá az elektromos eszközök egyes veszélyesanyag-felhasználását korlátozó direktíva (2011/65/EU), a török EEE direktíva; a török ErP (2010/643 döntés); a 1275/2008 sz. Bizottsági szabályozás (EK) (amely az Európai Parlament és a Bizottság 2005/32/EK sz. direktíváját vezeti be az elektromos és elektronikus háztartási és irodai eszközök környezetbarát kialakításával, környezetbarát készenléti és kikapcsolt állapotbeli fogyasztásával kapcsolatban) és az Európai Parlament és a Bizottság 2009/125/EK sz. direktíva (amely az energiahasználó termékek környezetbarát kialakítási követelményeinek keretrendszerét határozza meg) tekintetében.

ДЕКЛАРАЦИЯ ЗА СЪОТВЕТСТВИЕ

Български

Това устройство отговаря на изискванията, установени от директивите на Европейския съюз за хармонизиране на законодателствата на държавите-членки в областта на електромагнитната съвместимост (2014/30/ЕС), Директивата за ниско напрежение (2014/35/ЕС), Директива за радиосъоръженията (2014/53/ЕС), Директивата за ограничаване на употребата на някои опасни вещества в електрическото и електронното оборудване (2011/65/ЕС), турската EEE Директива, турската платформа ErP (Решение 2010/643), Регламент № 1275/2008 на Комисията (ЕС) по изпълнение на Директива 2005/32/ЕС на Европейския парламент и на Съвета относно изискванията по отношение на екологичния дизайн за потребление на електроенергия в режим на готовност и изключено положение от електронни и електрически домакински уреди и офис оборудване и Директива 2009/125/ЕС на Европейския парламент и на Съвета, които установяват работна рамка за създаване на изисквания за екологичен дизайн насвързани с енергетиката продукти.

DEKLARACIJA O USKLAĐENOSTI

Hrvatski

Uređaj je u skladu sa zahtjevima navedenim u Direktivama komisije za usklađivanje zakona država članica u svezi elektromagnetske kompatibilnosti (2014/30/EC) i Direktivom za niske napone (2014/35/EC) i Direktiva za radio uređaje (2014/53/EC), Direktivi o ograničenju upotrebe određenih opasnih tvari u električnoj i elektroničkoj opremi (2011/65/EU), EEE direktivi Turske, Turkskim ErP (Odluka 2010/643); Propisu komisije (EC) br. 1275/2008 o implementiranju Direktive 2005/32/EC Europskog parlamenta i Vijeća po pitanju ekodizajnerskih zahtjeva za električnu potrošnju u mirovanju i isključenom stanju električne i elektroničke opreme u kućanstvu i uredima, te Direktive 2009/125/EC Europskog parlamenta i Vijeća koja uspostavlja radni okvir za određivanje ekodizajnerskih zahtjeva za energetske proizvode.

DECLARAȚIE DE CONFORMITATE

Română

Acest dispozitiv este în conformitate cu prevederile stabilite prin Directivele Consiliului privind apropierea legislațiilor statelor membre cu privire la compatibilitatea electromagnetică (2014/30/CE) și Directiva privind joasa tensiune (2014/35/CE) și Directiva privind echipamentele hertziene (2014/53/CE), Directiva de Restricție a Utilizării Anumitor Substanțe Periculoase în Echipamentele Electrice și Electronice (2011/65/UE), Directive EEE pentru Turcia; ErP Turcia (Decizia 2010/643); Regulamentul Comisiei (EC) Nr. 1275/2008 de implementare a Directivei 2005/32/EC a Parlamentului European și a Consiliului cu privire la elementele de design ecologic pentru consumul energetic al echipamentelor electrice și electronice de uz casnic și de birou în modurile de așteptare și oprire și Directiva 2009/125/EC a Parlamentului European și a Consiliului pentru stabilirea unui cadru de lucru în îndeplinirea cerințelor de design ecologic al produselor cu consum energetic.

ΔΗΛΩΣΗ ΣΥΜΜΟΡΦΩΣΗΣ

Ελληνικά

Η παρούσα συσκευή συμμορφώνεται με τις απαιτήσεις που ορίζονται στις Οδηγίες του Ευρωπαϊκού Συμβουλίου για την προσέγγιση των νομοθεσιών των χωρών-μελών σχετικά με την Ηλεκτρομαγνητική Συμβατότητα (2014/30/EK) και την Οδηγία περί Χαμηλών Τάσεων (2014/35/EK) και την Οδηγία περί εξοπλισμού Ραδιοφωνίας (2014/53/EK), στην απαγόρευση της χρήσης ορισμένων επικίνδυνων υλικών στην Οδηγία Ηλεκτρικού και ηλεκτρονικού εξοπλισμού (2011/65/EE), στην Τουρκική οδηγία EEE, Τουρκικό ErP (Απόφαση 2010/643), στον Κανονισμό της Επιτροπής (ΕΚ) Αρ. 1275/2008 που εφαρμόζει την Οδηγία 2005/32/EK του Ευρωπαϊκού Κοινοβουλίου και του Συμβουλίου όσον αφορά τις απαιτήσεις οικολογικού σχεδιασμού για κατανάλωση ρεύματος στην αναμονή και στην απενεργοποίηση του ηλεκτρικού και ηλεκτρονικού εξοπλισμού, οικιακού εξοπλισμού και εξοπλισμού γραφείου και την Οδηγία 2009/125/EK του Ευρωπαϊκού Κοινοβουλίου και του Συμβουλίου που εγκαθιστά ένα πλαίσιο για τη ρύθμιση των απαιτήσεων οικολογικού σχεδιασμού για προϊόντα που έχουν σχέση με την κατανάλωση ενέργειας.

OVERENSSTEMMELSESERKLÆRING

Dansk

Apparatet er i overensstemmelse med kravene i Rådets direktiver om indbyrdes tilnærmelse af medlemsstaternes lovgivning om elektromagnetisk kompatibilitet (2014/30/EF) og lavspændingsdirektivet (2014/35/EF) og direktiv om radioudstyr (2014/53/EF), begrænsning af anvendelsen af visse farlige stoffer i elektrisk og elektronisk udstyr (2011/65/EU), Tyrkisk EEE direktiv; Tyrkiet - effektiv retningsudstrålet effekt (beslutning 2010/643), Kommissionens forordning (EF) nr. 1275/2008 om gennemførelse af direktiv 2005/32/EF af Europa-Parlamentets og Rådets direktiv med hensyn til krav til miljøvenligt design for

elforbrug i standbytilstand og slukket tilstand af elektrisk og elektronisk husholdnings- og kontorudstyr, og direktiv [2009/125/EF](#) af Europa-Parlamentet og Rådet om rammerne for fastlæggelse af krav til miljøvenligt design af energiforbrugende produkter.

VAATIMUSTENMUKAISUUSVAKUUTUS

Suomi

Laite täyttää sähkömagneettista yhteensopivuutta koskevan EMC-direktiivin ([2014/30/EY](#)), pienjännitedirektiivin ([2014/35/EY](#)), radiolaitedirektiivi ([2014/53/EY](#)) ja vaarallisten aineiden käytön rajoittamista sähkö- ja elektroniikkalaitteissa koskevan direktiivin ([2011/65/EU](#)), turkkilaisen EEE-direktiivin; turkkilaisen ErP:n (päättös 2010/643); komission asetuksen (EY) N:o 1275/2008 direktiivin [2005/32/EY](#) täytäntöönpanosta kotitalouksissa ja toimistoissa käytettävien sähkö- ja elektroniikkalaitteiden lepovirtakulutuksen ekologista suunnittelua koskevien vaatimusten osalta sekä Euroopan parlamentin ja neuvoston direktiivin [2009/125/EY](#) energiaan liittyvien tuotteiden ekologiselle suunnittelulle asetettävien vaatimusten puitteista.

SAMSVARSERKLÆRING

Norwegian

Enheten er i samsvar med de angitte kravene i EU-direktivene om tilnærming av lovene i medlemslandene angående elektromagnetisk kompatibilitet ([2014/30/EC](#)), lavspenning ([2014/35/EC](#)) og radioutstyrsdirektiv ([2014/53/EC](#)), begrensningen i bruk av visse farlige substanser i EU-direktivet for elektrisk og elektronisk utstyr ([2011/65/EU](#)), det tyrkiske EEE-direktivet, tyrkisk ErP (beslutning 2010/643), EU-kommisjonsforskrift nr. 1275/2008 som iverksetter EU-parlamentets og EU-rådets direktiv [2005/32/EC](#) angående øko-designkrav til strømforbruk i beredt og avslått elektrisk og elektronisk utstyr til hjem og kontor og EU-parlamentets direktiv [2009/125/EC](#) som etablerer et rammeverk for etableringen av øko-designkrav for energirelaterte produkter.

WEEE directive

WEEE directive

English



Disposal of Waste Electrical and Electronic Equipment and/or Battery by users in private households in the European Union.

WEEE



Battery

This symbol on the product or on the packaging indicates that this can not be disposed of as household waste. You must dispose of your waste equipment and/or battery by handling it over to the applicable take-back scheme for the recycling of electrical and electronic equipment and/or battery. For more information about recycling of this equipment and/or battery, please contact your city office, the shop where you purchased the equipment or your household waste disposal service. The recycling of materials will help to conserve natural resources and ensure that it is recycled in a manner that protects human health and environment.

Recycling information: See <http://www.benq.com/support/recycle> for details.

Directive DEEE

Français



Mise au rebut des déchets d'équipements électriques et électroniques et/ou des piles par les particuliers dans l'Union Européenne.

WEEE



Pile

Ce symbole figurant sur le produit ou l'emballage signifie que celui-ci ne peut pas être jeté avec les ordures ménagères. Vous devez mettre vos déchets d'équipements et/ou piles au rebut en le déposant dans un point de collecte prévu à cet effet afin que les équipements électroniques et électriques et/ou piles soient recyclés. Pour de plus amples informations sur le recyclage de ce produit et/ou cette pile, veuillez prendre contact avec l'organisme local compétent, le service d'élimination des déchets ménagers ou le point de vente du produit. Le recyclage des matériaux aidera à conserver les ressources naturelles et à s'assurer qu'ils seront recyclés d'une façon que cela protège la santé humaine et l'environnement.

Recycling information: See <http://www.benq.com/support/recycle> for details.

Directiva WEEE

Español



Residuos de aparatos eléctricos y electrónicos y/o batería por parte de los usuarios domésticos privados en la Unión Europea.

WEEE

El símbolo que muestra el producto o el embalaje indica que no puede ser desechado como residuo doméstico. Para desechar el equipo siga las directrices aplicables para el reciclaje de equipo eléctrico y



Batería

electrónico y/o batería.

Para obtener más información sobre el reciclaje de este equipo y/o batería, póngase en contacto con el ayuntamiento, la tienda donde adquirió el equipo o el servicio de recogida de basuras. Al reciclar materiales ayudamos a conservar el medio natural y a garantizar el reciclaje de manera que proteja la salud y el medioambiente.

Recycling information: See <http://www.benq.com/support/recycle> for details.

WEEE-Richtlinie

Deutsch



WEEE

Entsorgung von Elektro- und Elektronikgeräten bzw. Batterien in Privathaushalten der Europäischen Union.



Batterie

Das Symbol auf der Produktverpackung zeigt an, dass dieses Gerät nicht mit dem normalen Hausmüll entsorgt werden darf. Sie sind verpflichtet, Ihre Altgeräte bzw. Batterien entsprechend der geltenden Bestimmungen für die Wiederverwertung von Elektro- und Elektronik-Altgeräten bzw. Batterien zu entsorgen. Weitere Informationen über das Recycling dieses Geräts bzw. Batterie erhalten Sie von Ihren örtlichen Behörden, Ihrem Fachhändler oder der lokalen Rücknahmestelle. Fachgerechtes Wertstoffrecycling spart nicht nur wertvolle Ressourcen, sondern schützt auch Umwelt und Gesundheit.

Recycling information: See <http://www.benq.com/support/recycle> for details.

Direttiva WEEE

Italiano



WEEE

Smaltimento di apparecchi elettrici ed elettronici e/o batterie nell'Unione Europea da parte di utenti privati.



Batteria

Questo simbolo sul prodotto o sulla confezione indica che l'articolo non può essere smaltito come i normali rifiuti domestici. È necessario smaltire le apparecchiature e/o batterie secondo quanto previsto dagli schemi di recupero per il riciclaggio di apparecchiature elettriche e elettroniche e/o batterie. Per ulteriori informazioni sul riciclaggio di questo apparecchio e/o batteria, contattare l'ente della propria città, il negozio dove è stato acquistato l'apparecchio o il proprio servizio di smaltimento rifiuti domestici. Il riciclaggio dei materiali contribuisce a ridurre il consumo di risorse naturali e assicura che i materiali siano riciclati tutelando la salute umana e l'ambiente.

Recycling information: See <http://www.benq.com/support/recycle> for details.

Директива WEEE

Русский



WEEE

Утилизация электрического и электронного оборудования и/или аккумуляторов населением в Европейском союзе.



Аккумулятор

Данный символ на изделии или на упаковке означает, что данное изделие запрещается утилизировать наравне с бытовыми отходами. Вы должны сдавать все пришедшие в негодность устройства и/или аккумуляторы для утилизации на специальный пункт сбора электрических или электронных устройств и/или аккумуляторов. Для получения подробных сведений о переработке этого оборудования и/или аккумуляторов обратитесь в местные органы управления, магазин, в котором был приобретен продукт, или службу по сбору бытовых отходов. Переработка материалов поможет сохранить природные ресурсы и обеспечит безопасность для здоровья людей и окружающей среды.

Recycling information: See <http://www.benq.com/support/recycle> for details.

WEEE-direktiv

Svenska



WEEE

Riktlinjer för kassering av avfall som utgörs av eller innehåller elektriska eller elektroniska produkter och/eller batteri, gällande hushåll i EU.



Batteri

Den här symbolen kan finnas på produkten eller på förpackningen och betyder att produkten inte kan kasseras som vanligt hushållsavfall. När du vill kassera produkten och/eller batteri måste du lämna in den på det ställe som avses för återvinning av elektriska eller elektroniska produkter och/eller batteri. Om du vill ha mer information om återvinning av den här typen av utrustning och/eller batteri kan du vända dig till din kommun, ditt inköpsställe eller till den lokala sophämtningen. Genom att återvinna materialet i produkten kan vi spara på naturtillgångarna och försäkra oss om att produkten återvinns på ett sätt som skyddar människors hälsa och miljön.

Recycling information: See <http://www.benq.com/support/recycle> for details.



WEEE



Accu

Wegwerpen van elektrische en elektronische apparatuur en/of accu's door huishoudens in de Europese Unie.

Dit symbool geeft aan dat het product niet met het huishoudelijke afval kan worden aangeboden. U moet afgedankte apparatuur en/of accu's wegwerpen door ze in te leveren op de inzamelpunten voor elektrische en elektronische apparatuur en/of accu's. Voor meer informatie over het hergebruik van deze apparatuur en/of de accu neemt u contact op met uw gemeente, de winkel waar u de apparatuur hebt gekocht of de milieudienst van de gemeente. Door het recyclen van de materialen worden natuurlijke hulpbronnen behouden en helpt u de natuur en de volksgezondheid te beschermen.

Recycling information: See <http://www.benq.com/support/recycle> for details.



WEEE



Bateria

Utylizacja odpadów z urządzeń elektrycznych i elektronicznych lub baterii przez użytkowników prywatnych w Unii Europejskiej.

Ten symbol na urządzeniu lub opakowaniu oznacza, że nie może być ono utylizowane razem z odpadami domowymi. Zużyty sprzęt lub baterie należy przekazać do odpowiedniego punktu zwrotu sprzętu elektrycznego i elektronicznego w celu wtórnego przetworzenia. Szczegółowe informacje dotyczące wtórnego przetwarzania tych urządzeń lub baterii można uzyskać, kontaktując się z lokalną administracją, sprzedawcą lub lokalnym przedsiębiorstwem oczyszczania. Przetwarzanie wtórne materiałów pomaga w zachowaniu surowców naturalnych i utylizacji w sposób przyjazny dla ludzkiego zdrowia i środowiska.

Recycling information: See <http://www.benq.com/support/recycle> for details.



WEEE



Baterie

Likvidace vyřazených elektrických a elektronických zařízení anebo baterií v domácnostech uživatelů v Evropské unii.

Tento symbol na výrobku nebo na jeho obalu znamená, že dané zařízení nelze vyhodit do běžného domovního odpadu. Vyřazené elektrické nebo elektronické zařízení anebo baterií je nutno zlikvidovat odevzdáním k recyklaci v souladu s platným plánem recyklace elektrických a elektronických zařízení anebo baterií. Další informace o recyklaci tohoto zařízení anebo baterií získáte u místních úřadů, v obchodě, kde jste výrobek zakoupili nebo u společnosti, která se zabývá likvidací domovního odpadu. Recyklace materiálů pomáhá chránit přírodní zdroje a zaručuje likvidaci výrobku způsobem, který je šetrný k lidskému zdraví a životnímu prostředí.

Recycling information: See <http://www.benq.com/support/recycle> for details.



WEEE



Pil

Avrupa Birliği ülkelerinde özel ev eşyası kullanıcıları tarafından Elektrikli ve Elektronik Cihazların ve/veya Pillerin Atılması.

Ürün yada ambalaj üzerindeki bu sembol, bunun evsel atık olarak işlem görmemesi gerektiğini ifade etmektedir. Atık cihazınızı ve/veya pilleri, elektrikli ve elektronik cihazların ve/veya pillerin geri dönüşümü için uygulanabilir geri alma şemasına göre ele alarak atmalısınız. Bu cihazın ve/veya pillerin geri dönüşümü hakkında daha fazla bilgi edinmek için lütfen cihazı satın aldığınız yerel bayiye veya dükkana yada ev eşyası uzaklaştırma servisine başvurun. Materyallerin geri dönüşümü, doğal kaynakların korunmasını ve insan sağlığına ve çevreye zarar verilmeksizin geri dönüştürülmesini güvence etmektedir.

Recycling information: See <http://www.benq.com/support/recycle> for details.



WEEE

Eliminação de Resíduos de Equipamentos Eléctricos e Electrónicos e/ou Baterias por particulares na União Europeia.

Este símbolo no produto ou na embalagem indica que não pode ser eliminado como lixo doméstico. Deverá eliminar os resíduos dos seus equipamentos e/ou baterias entregando-os nos pontos de recolha aplicáveis para reciclagem de equipamentos eléctricos e electrónicos e/ou baterias. Para mais informações sobre a reciclagem destes equipamentos e/ou baterias, contacte a sua câmara



Bateria

municipal, a loja onde adquirir o equipamento ou serviço de recolha de lixo doméstico. A reciclagem de materiais contribuirá para a conservação dos recursos naturais e assegura que são reciclados de forma a proteger a saúde humana e o ambiente.

Recycling information: See <http://www.benq.com/support/recycle> for details.

WEEE irányelv

Magyar



WEEE



Akkumulátor

Az Európai Unióban a háztartások elektromos és elektronikus hulladékainak és/vagy az akkumulátorok kezeléséről szóló irányelv.

A terméken vagy a csomagoláson ez a szimbólum azt jelzi, azt a háztartási hulladékoktól külön kell kezelni. A készüléket és/vagy az akkumulátorokat az elektronikus és elektromos hulladékokra és/vagy az akkumulátorokra érvényes újrahasznosítási rendszer keretein belül kell leadni újrahasznosításra. A készülék és/vagy akkumulátorok újrahasznosítás céljára való begyűjtéséről bővebb információt kaphat a helyi önkormányzatnál, a vásárlás helyén vagy a háztartási hulladékot elszállító szolgáltatójánál. Az anyagok újrahasznosításra való begyűjtése hozzájárul a természeti erőforrások megőrzéséhez és biztosítja, hogy a hulladékok szelektálása az emberi egészséget és a környezetet védő módon történjék.

Recycling information: See <http://www.benq.com/support/recycle> for details.

Директива WEEE

Български



WEEE



Батерия

Изхвърляне на отпадъчно електрическо и електронно оборудване и/или батерии от потребители в частни домакинства в Европейския съюз.

Този символ върху продукт или неговата опаковка указва, че не може да бъде изхвърлян заедно с останалите домакински отпадъци. Трябва да изхвърлите отпадъчното оборудване и/или батерии, като го предадете в подходящ пункт за събиране и рециклиране на електрическо и електронно оборудване и/или батерии. За повече информация относно рециклирането на този уред и/или батерии, моля, свържете се със съответния офис във Вашия град, с магазина, от който сте закупили продукта или с местната служба за събиране на битови отпадъци. Рециклирането на материалите ще спомогне за запазване на природните ресурси и ще осигури рециклиране по запазващ човешкото здраве и околната среда начин.

Recycling information: See <http://www.benq.com/support/recycle> for details.

WEEE direktiva

Hrvatski



WEEE



Baterija

Odlaganje u otpad električnih i elektroničkih uređaja i/ili baterija iz kućanstava u Europskoj uniji.

Ovaj simbol na proizvodu ili pakiranju naznačuje da se ovaj proizvod ne može odbaciti s kućnim otpadom. Uređaje za otpad i/ili baterije trebete odložiti u otpad u skladu s pravilima povrata, zbrinjavanja i reciklaže električnih i elektroničkih uređaja i/ili baterija. Više informacija o recikliranju ovog uređaja i/ili baterije, potražite u vašem mjesnom uredu, u trgovini gdje ste kupili proizvod ili u službi koja prikuplja vaš kućni otpad. Recikliranje materijala pomoći će očuvanju prirodnih resursa i osigurati recikliranje na način koji štiti ljudsko zdravlje i prirodni okoliš.

Recycling information: See <http://www.benq.com/support/recycle> for details.

Directiva WEEE

Română



WEEE



Baterie

Evacuarea deșeurilor echipamentelor electrice și electronice și/sau bateriilor de către utilizatorii casnici din Uniunea Europeană.

Acest simbol de pe produs sau de pe ambalaj indică că acest produs nupoate fi evacuat ca deșeu casnic. Trebuie să evacuați deșeurile de echipamente și/sau bateria prin predarea conform schemei de preluare pentru reciclare a componentelor electrice și electronice și/sau a bateriilor. Pentru informații suplimentare privind reciclarea acestui echipament și/sau a bateriei, contactați primăria orașului dvs., magazinul de unde ați achiziționat echipamentul sau serviciul de salubritate pentru deșeuri menajere. Reciclarea acestor materiale va ajuta la păstrarea resurselor naturale și asigură că sunt reciclate într-o modalitate care protejează viața și mediul oamenilor.

Recycling information: See <http://www.benq.com/support/recycle> for details.

Απόρριψη άχρηστου ηλεκτρολογικού και ηλεκτρονικού εξοπλισμού ή/και μπαταριών από χρήστες σε νοικοκυριά εντός της Ευρωπαϊκής Ένωσης.



Το παρόν σύμβολο στο προϊόν ή τη συσκευασία υποδηλώνει ότι αυτό δεν μπορεί να απορριφθεί με τα οικιακά απορρίμματα. Πρέπει να φροντίζετε για την απόρριψη του άχρηστου εξοπλισμού σας ή/και μπαταριών, παραδίδοντάς τα σε αρμόδιο φορέα παραλαβής με σκοπό την ανακύκλωση ηλεκτρολογικού και ηλεκτρονικού εξοπλισμού ή/και μπαταριών. Για περισσότερες πληροφορίες σχετικά με την ανακύκλωση του παρόντος εξοπλισμού ή/και μπαταριών, παρακαλούμε απευθυνθείτε στο αρμόδιο γραφείο του δήμου, στο κατάστημα όπου αγοράσατε τον εξοπλισμό ή στην υπηρεσία αποκομιδής οικιακών απορριμμάτων. Η ανακύκλωση των υλικών θα βοηθήσει την εξοικονόμηση φυσικών πόρων και θα διασφαλίσει ότι αυτά ανακυκλώνονται με τρόπο που προστατεύει την ανθρώπινη υγεία και το περιβάλλον.

Recycling information: See <http://www.benq.com/support/recycle> for details.



Bortskaffelse af elektrisk og elektronisk affald og/eller batterier, anvendt i husholdningen i EU.

Dette symbol på produktet eller på emballagen angiver, at det ikke kan bortskaffes som husholdningsaffald. Du skal bortskaffe affald (udstyr) og/eller batterier ved at levere det/dem til relevante genbrugscentre for elektrisk og elektronisk udstyr og/eller batterier. For yderligere oplysninger om genbrug af dette udstyr og/eller batterier skal du kontakte kommunen, butikken hvor du købte udstyret eller dit affaldsselskab. Genbrugsmaterialer hjælper med at bevare naturlige ressourcer og sikre, at det det genbruges på en måde, der beskytter sundheden og miljøet.

Oplysninger om genbrug: Se <http://www.benq.com/support/recycle> for yderligere oplysninger.



Sähkö- ja elektroniikkaromun ja/tai akkujen hävittäminen yksityisissä kotitalouksissa Euroopan unionin alueella.

Tämä merkintä tuotteessa tai sen pakkauksessa osoittaa, että tuotetta ei voida hävittää kotitalousjätteenä. Romulaitteet ja/tai akut tulee hävittää viemällä ne erilliskeräyspaikkaan sähkö- ja elektroniikkaromun ja/tai akkujen kierrätystä varten. Saat lisätietoja tämän laitteen ja/tai akun kierrättämisestä ottamalla yhteyttä alueesi jätehuoltoon, kotitalousjätteen kierrätyskeskukseen tai laitteen ostopaikkaan. Materiaalien kierrätys auttaa säilyttämään luonnonvaroja ja varmistamaan, että jätteet kierrätetään tavalla, joka suojelee ihmisten terveyttä ja ympäristöä.

Kierrätystiedot: Lisätietoja <http://www.benq.com/support/recycle>.



Kassering av elektrisk og elektronisk utstyr og/eller batterier for brukere i private husholdninger i EU.

Dette symbolet på produktet eller på innpakningen angir at det ikke kan kasseres sammen med vanlig husholdningsavfall. Du må kaste utstyret og/eller batteriet ved å overlevere det til det aktuelle retursenteret for resirkulering av elektrisk og elektronisk utstyr og/eller batteriet. Hvis du vil ha mer informasjon om resirkulering og/eller batteriet, vennligst kontakt lokale myndigheter, butikken der du kjøpte utstyret eller en resirkuleringsstasjon. Resirkulering av materialer vil bidra til å bevare naturlige ressurser og sikre at det resirkuleres på en måte som beskytter menneskers helse og miljø.

Resirkuleringsinformasjon: Se <http://www.benq.com/support/recycle> hvis du vil ha detaljer.

Korea Class B

사 용 자 안 내 문

이 기기는 가정용(B 급)으로 전자파적합등록을 한 기기로서 주로 가정에서 사용하는 것을 목적으로 하며, 모든 지역에서 사용할 수 있습니다.

한국에 해당 (RF 모듈이 포함된 제품의 경우)
해당 무선설비는 전파혼신 가능성이 있으므로 인명
안전과 관련된 서비스는 할 수 없음

日本専用です

VCCI (CLASS B)

この装置は、クラスB情報技術装置です。この装置は、家庭環境で使用することを目的としていますが、この装置がラジオやテレビジョン受信機に近接して使用されると、受信障害を引き起こすことがあります。

取扱説明書に従って正しい取り扱いをしてください。

この装置は、現在設置されている場所で妨害波の測定がされた情報技術装置であり、VCCI 協会の基準に適合しています。従って、現在設置されている場所以外で使用する場合は、再び妨害波を測定し、VCCI に届け出をしなければなりません。

(RF モジュール付きの製品の場合)
電波法により 5GHz 帯は屋内使用に限ります。

電源についての安全対策

接地接続は必ず電源プラグを電源に接続する前に行ってください。また、接地接続を外す場合には必ず電源プラグを電源から切り離してから行ってください。

同梱した電源コードセットは本機以外の電気機器で使用できません。

台灣區專用

使用電池的注意事項 (當產品附有遙控器時)

電池的使用方式或型號如果錯誤，可能會導致化學物質的洩漏或爆炸。請注意下列事項：

- 安裝電池時，請確認電池的正負極已依照電池室中所標示的方向正確安裝。
- 不同品牌與類型的電池(例如碳鋅電池與鹼性電池)具有不同的特性。請勿混合使用不同品牌與類型的電池。
- 當電池電量用盡時，請儘速更換新電池。換新電池時，請將全部電池一次換新。
- 長時間不使用遙控器時，請將電池從遙控器中取出。
- 請勿將新的和舊的電池混合使用。將新電池與舊電池混合使用會減短電池的使用壽命，或導致化學液從不良的電池中洩漏出來。
- 電池中洩漏出來的化學液可能會刺激皮膚並腐蝕金屬接點。假使有任何化學物質從電池中滲漏出來，請立即以乾布擦拭乾淨並更換電池。
- 耗盡的電池請依照相關之適用規章回收或丟棄。詳細資訊，請聯繫當地廢料管理機關。



廢電池請回收

限用物質含有情況標示聲明

適用於 LED 或雷射機種

設備名稱: 數位投影機						
單元	限用物質及其化學符號					
	鉛 (Pb)	汞 (Hg)	鎘 (Cd)	六價鉻 (Cr+6)	多溴聯苯 (PBB)	多溴二苯醚 (PBDE)
塑膠外框	○	○	○	○	○	○
金屬機構	-	○	○	○	○	○
燈源	○	○	○	○	○	○
電路板	-	○	○	○	○	○
鏡頭	-	○	○	○	○	○
風扇	-	○	○	○	○	○
電源線	-	○	○	○	○	○
其他線材	-	○	○	○	○	○
遙控器	-	○	○	○	○	○

備考1. “○”係指該項限用物質之百分比含量未超出百分比含量基準值。

備考2. “-”係指該項限用物質為排除項目。

中国区专用

电池安全注意事项 (当产品附有遥控器时)

使用错误类型的电池可能导致化学物质泄漏或爆炸。请遵循下列事项：

- 务必按照电池仓内的正极和负极标记以正确方向装入电池。
- 不同类型的电池具有不同的特性。请勿混用不同类型的电池。
- 请勿混用新旧电池。混用新旧电池会缩短电池使用时间或导致旧电池化学物质泄漏。
- 电池不能正常工作时，应立即更换它们。
- 电池泄漏的化学物质可能刺痛皮肤。如果电池泄漏出任何化学物质，应立即用干布擦拭干净，并尽快更换电池。
- 由于存放条件不同，电视随附的电池的使用时间可能缩短。在3个月内或在初次使用后尽快更换它们。
- 耗尽的电池请依照相关之适用规章回收或丢弃。详细信息，请联系当地废料管理机关。

WEEE 指令 (针对中国地区)

<废弃电器电子产品回收处理管理条例>或<China WEEE>

产品废弃时请交给当地有资质的回收单位处理。

<废电池>

本产品含有电池，废弃时请交给当地有资质的回收单位处理。

中国 RoHS (适用于 LED 或雷射机种)



依据中国《电器电子产品有害物质限制使用管理办法》为控制和减少电子信息产品废弃后对环境造成的污染，促进生产和销售低污染电子信息产品，保护环境和人体健康，仅提供有关本产品可能含有有毒及有害物质如后：

部件名称	产品中有害物质的名称及含量					
	有害物质					
	铅 (Pb)	汞 (Hg)	镉 (Cd)	六价铬(Cr(VI))	多溴联苯(PBB)	多溴二苯醚 (PBDE)
塑料外框	○	○	○	○	○	○
金属机构	X	○	○	○	○	○
灯源	○	○	○	○	○	○
电源基板(*)	X	○	○	○	○	○
主基板(*)	X	○	○	○	○	○
按键基板(*)	X	○	○	○	○	○
镜头	X	○	○	○	○	○
风扇	X	○	○	○	○	○
电源线	X	○	○	○	○	○
其他线材	X	○	○	○	○	○
电池	○	○	○	○	○	○
无线适配卡	X	○	○	○	○	○
互动投影笔	X	○	○	○	○	○

*：电路板组件包括印刷电路板及其构成的零部件，如电阻、电容、集成电路、连接器等。

本表格依据 SJ/T 11364 的规定编制

○: 表示该有害物质在该部件所有均质材料中的含量均在 GB/T 26572 规定的限量要求下。

X: 表示该有害物质至少在该部件的某一均质材料中的含量超过 GB/T 26572 规定的限量要求。

上表中打 "X" 的部件中，应功能需要，部分有害物质含量超出 GB/T 26572 规定的限量要求，但符合欧盟 ROHS 法规要求(属于豁免部分)。

有关中国《电器电子产品有害物质限制使用管理办法》之相关规定请参考信息产业部所公布之信息。