

DIGITAL
PROJECTOR

MW855UST



Features

- Native WXGA (1280 x 800) Resolution
- 3,500 ANSI Lumens, 10,000:1 High Contrast Ratio
- Up to 6000 hours lamp life
- 8% Vertical Lens Shift
- PointWrite Interactive Kit Compatible
- Wall Mount Included
- Dual HDMI, MHL compatible, LAN Control



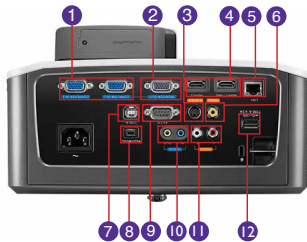
PointWrite Kit (PW01U)



Touch Module (PT02)



Input and Output Terminals



- | | |
|-----------------------------------|-----------------------------|
| 1 Computer in 1 & 2 (D-sub 15pin) | 7 USB (Type Mini B) |
| 2 Monitor Out (D-sub 15pin) | 8 PointWrite |
| 3 S-Video In (Mini DIN 4pin) | 9 RS232 (DB-9pin) |
| 4 HDMI 1 & 2 | 10 Audio In/Out (Mini Jack) |
| 5 LAN | 11 Audio (L/R) |
| 6 Composite Video in (RCA) | 12 USB (Type A) |

Specifications

| | |
|---------------------------------|--|
| Projection System | DLP® |
| Native Resolution | WXGA (1280 x 800) |
| Brightness | 3,500AL |
| Contrast Ratio | 10,000:1 |
| Display Color | 1.07 Billion Colors |
| Lens | F2.5,f=5.1mm |
| Lens Shift | Vertical 8% |
| Aspect Ratio | Native 16:10 (5 aspect ratio selectable) |
| Throw Ratio | 0.35 |
| Clear Image Size/Max Image size | 80"~100" |
| Zoom Ratio | Fixed |
| Lamp Type | 240W |
| Lamp (Normal/Economic Mode)* | 3000/4000/6000 hours |
| Keystone Adjustment | 2D, Vertical/Horizontal +/- 30 degrees |
| Projection Offset | 140%-148%(±5%) |
| Resolution Support | VGA(640 x 480) to UXGA(1600 x 1200) |
| Horizontal Frequency | 15~102KHz |
| Vertical Scan Rate | 23~120Hz |
| Compatibility | HDTV Compatibility: 480i, 480p, 576i, 576p, 720p, 1080i, 1080p Video Compatibility: NTSC, PAL, SECAM, |
| Interface | Computer in (D-sub 15pin) x 2(Shared with component) Monitor out (D-sub 15pin) x 1 Composite Video in (RCA) x 1 S-Video in (Mini DIN 4pin) x 1 HDMI/MHL x 2(HDMI 1 with MHL) Audio in (Mini Jack) x 1 Audio out (Mini Jack) x 1 Audio L/R x 1 Speaker 10W x 2 USB (Type mini B) x 1 (PointWrite interactive module) USB (Type B) x 1 (FW download) USB(Type A) x 1 (5V 2A Power for PT02 Touch module) RJ45 x 1 (LAN control) RS232 (DB-9pin) x 1 IR Receiver x 1 (Front) |
| Dimensions (WxHxD) | 14.6" x 11.3" x 5.1" 14.6" x 11.3" x 7.9" (w Mirror) |
| Weight | 11.02 lbs w/o wall mount |
| Power Supply | AC100 to 240 V, 50 to 60 Hz |
| Power Consumption | Typical 320W, stanby power <0.5W |
| Audible Noise | 34/29 dBA (Normal/Economic mode) |
| Languages | Arabic/Bulgarian/ Croatian/ Czech/ Danish/ Dutch/ English/ Finnish/ French/ German/ Greek/ Hindi/ Hungarian/ Italian/ Indonesian/ Japanese/ Korean/ Norwegian/ Polish/ Portuguese/ Romanian/ Russian/ Simplified Chinese/Spanish/ Swedish/ Turkish/ Thai/ Traditional Chinese (28 Languages) |
| Picture Mode | Dynamic/Presentation/sRGB/Cinema/(3D)/User 1/User 2 |
| Accessories (Standard) | Remote Control w/ Battery, Power Cord, User Manual CD Quick Start Guide, Warranty Card, VGA(D-sub 15pin) Cable, Wall mount kit (installation guide) |
| Accessories (Optional) | Spare Lamp Kit P/N: 5J.JC505.001 3D Glasses_DGD05 P/N: 5J.J9H25.001 PointWrite Kit (PW01U) P/N: 5J.J8L26.20E Touch Module PT02 P/N: 5J.J8L26.11E |
| UPC / Part # | 8400460-3283-8 / P/N: 9H.JC677.24A |
| Limited Warranty | 3 Years Parts/Labor; 1 Year or 2000 Hours of Lamp Life |

*Lamp life results will vary depending on environmental conditions and usage. Actual product's features and specifications are subject to change without notice.



205 Westwood Ave, Long Branch, NJ 07740
Phone: 866-94 BOARDS (26273) / (732)-222-1511
Fax: (732)-222-7088 | E-mail: sales@touchboards.com

BenQ America Corp.
www.BenQ.us

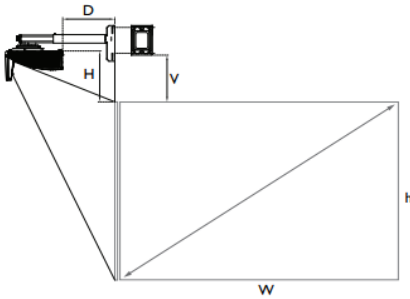
BenQ is a registered trademark of BenQ Corp. All rights reserved. Product names, logos, brands, and other trademarks featured or referred to in this material are the property of their respective trademark holders. Specifications subject to change without notice.
MW855UST 060915_BQus

BenQ

Because it matters

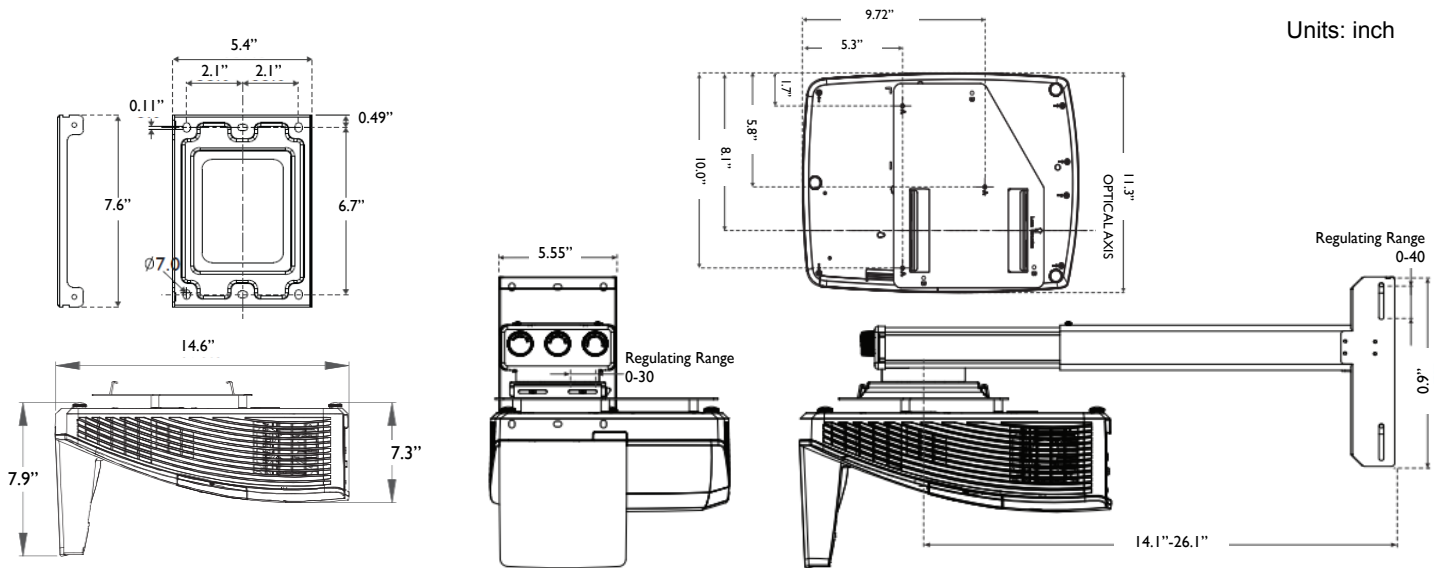
MW855UST Digital Projector

Distance Chart



| Screen size (Diagonal) | | Screen size Width (W) | | Screen size Height (h) | | Projection distance (D) | | Offset (H) | | Distance between Wall plate & projection screen (V) |
|------------------------|------|-----------------------|------|------------------------|------|-------------------------|-------|------------|-------|---|
| inch | mm | inch | mm | inch | mm | inch | mm | inch | mm | |
| 80 | 2032 | 67 | 1723 | 42 | 1077 | 11.11 | 282.3 | 11.81 | 300 | 274.7 |
| 85 | 2159 | 71 | 1831 | 45 | 1144 | 12.73 | 323.3 | 12.37 | 314.3 | 289 |
| 87 | 2210 | 73 | 1874 | 46 | 1171 | 13.40 | 340.3 | 12.61 | 320.2 | 294.9 |
| 90 | 2286 | 76 | 1939 | 47 | 1212 | 14.38 | 365.3 | 12.95 | 328.9 | 303.6 |
| 92 | 2337 | 77 | 1982 | 48 | 1239 | 15.01 | 381.3 | 13.17 | 334.4 | 309.1 |
| 95 | 2413 | 80 | 2046 | 50 | 1279 | 15.98 | 405.8 | 13.50 | 343 | 317.7 |
| 97 | 2464 | 81 | 2089 | 51 | 1306 | 16.65 | 422.8 | 13.74 | 348.9 | 323.6 |
| 100 | 2540 | 85 | 2154 | 53 | 1346 | 17.55 | 445.8 | 14.05 | 356.9 | 331.6 |

Ceiling Mount Chart



Units: inch

Dimensions



Units: inch



Because it matters