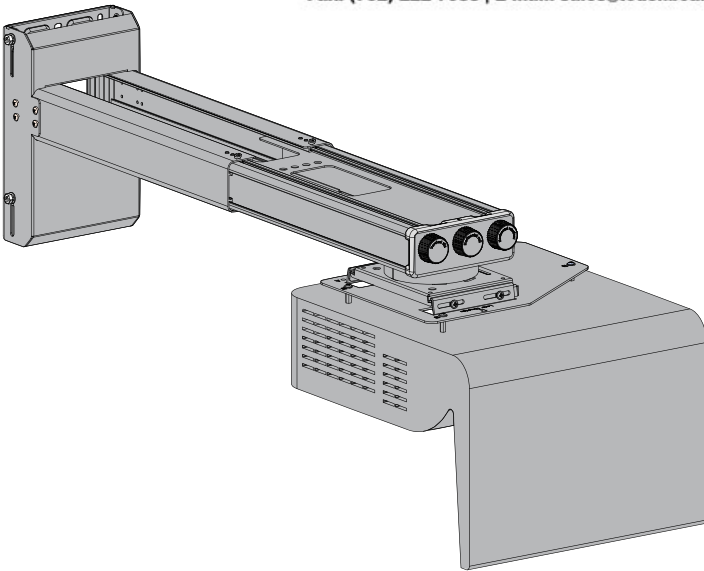


# Installation Manual

---



205 Westwood Ave, Long Branch, NJ 07740  
Phone: 866-94 BOARDS (26273) / (732)-222-1511  
Fax: (732)-222-7088 | E-mail: [sales@touchboards.com](mailto:sales@touchboards.com)



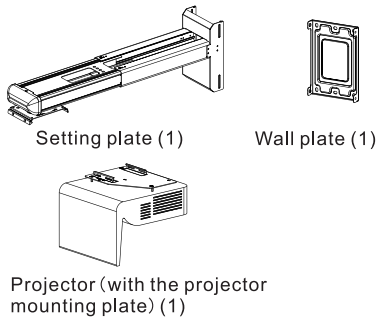
- 
- Be sure to read this manual thoroughly and to do the installation work safely. Keep this manual available for future reference.
  - Sufficient expertise is required for installing this projector wall mount.
  - Do not use the projector wall mount for purposes other than for which it is designed.

# Important Safety

ENGLISH

- ❶ Be sure to read this manual thoroughly to do the installation work.
  - ❷ Only qualified service personnel (two or more) should carry out installation or dismantling of the projector from the projector wall mount.
  - ⚠ **Use with products heavier than the maximum weights (Weight Capacity : <15kg) indicated may result in instability causing possible injury.**
  - ❸ For safety reasons, check the strength of the wall before installation. If the wall is not strong enough, reinforce it sufficiently before installation.
  - ❹ Do not make alterations to the projector wall mount.
  - ❺ Do not install the projector wall mount on a wall subject to vibration or impact.
  - ❻ To avoid fire, do not install the projector with the projector wall mount in a humid or excessively dusty place.
  - ❼ Use the supplied accessories only. Use of accessories other than those supplied may result in damage to the projector wall mount.
  - ❽ When dismantling the projector from the projector wall mount, be sure to unplug the AC power cord and other connecting cables beforehand.
  - ❾ Do not hit or hang any heavy objects on the projector wall mount. If the projector wall mount is damaged, stop use and contact a qualified service person immediately.
  - ❿ Please install this apparatus only on the horizontal surface instead of the slanting one.
- \* **Manufacturer is not liable for any damages or injury caused by mishandling or improper installation.**

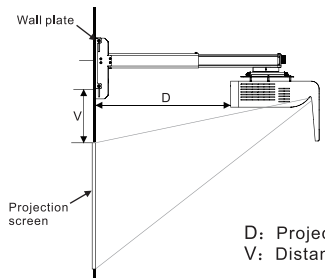
# Checking The Supplied Accessories



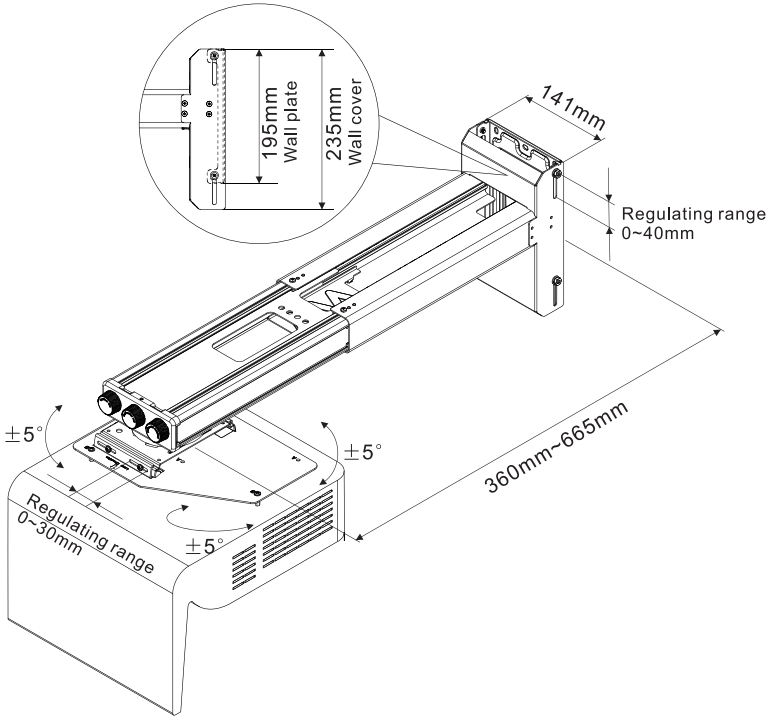
NO	diagrammatic presentation	designation	quantity
a		Screw (M6X55)	5
b		Φ10mm Anchor bolt	5
c		L5 Allen key	1
d		L3 Allen key	1
e		Screw (M4X10)	4
f		Screw (M5X10)	4

\* **Screw f has been locked on the wall plate.**

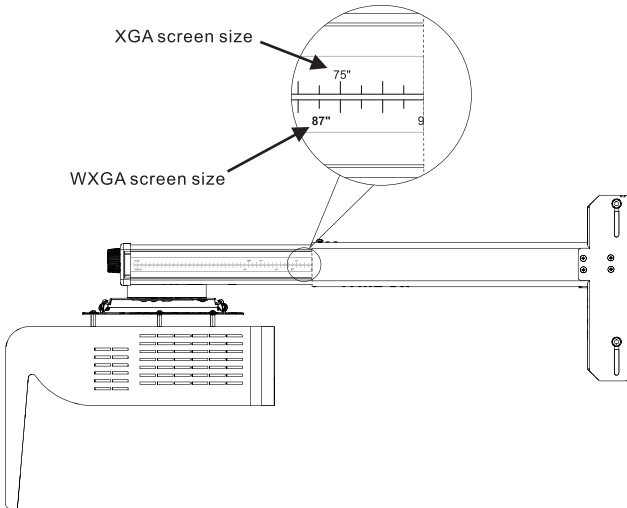
# Checking The Installation Position



# Checking The Installation Position



● According to the scale to determine the screen size . Scale parameters are for reference only.

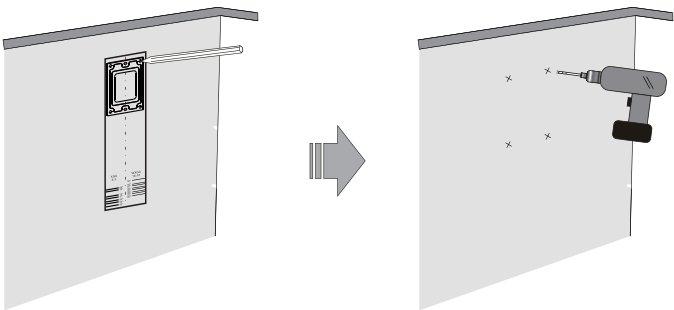
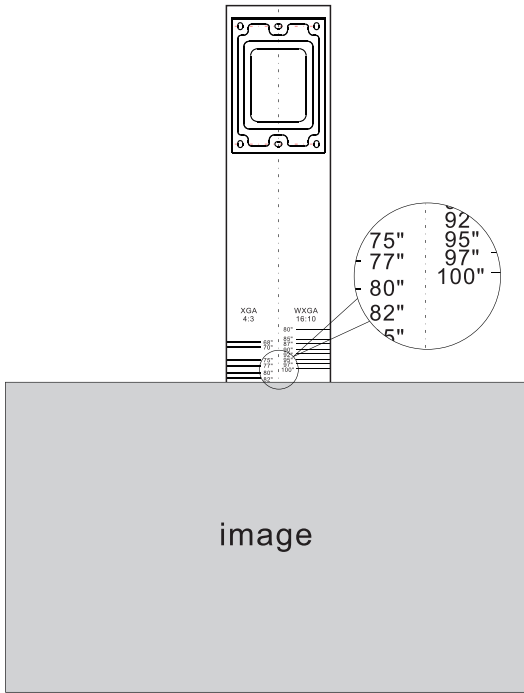


## To Set The Projector Wall Mount On The Wall

- According to the scale to determine the installation height of the wall plate .  
Scale parameters are for reference only

\* **You can find this form in the projector packaging.**

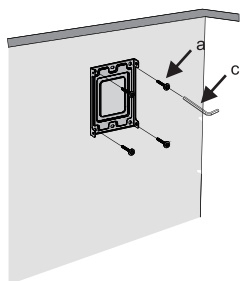
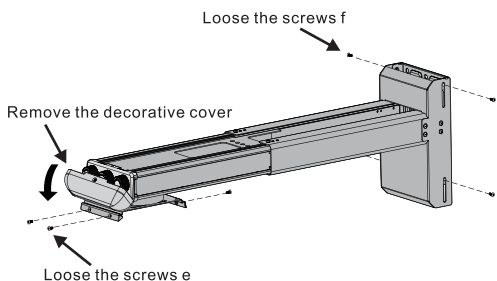
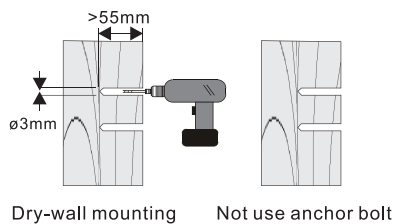
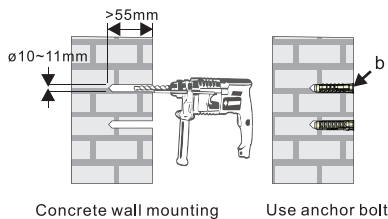
\* **Please refer the installation chart in projector UM and QSG for proper installation evaluation.**





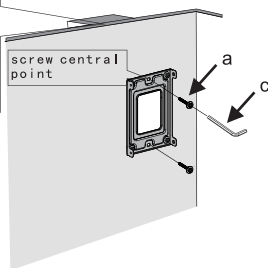
# To Set The Projector Wall Mount On The Wall

- The bracket is suitable for concrete wall mounting or wooden stud wall.
- Concrete wall mounting thickness must be a minimum 100mm. Anchor bolt and serew (M6 × 55) are needed to be used for installation.
- Dry-wall mounting thickness must be a minimum 70mm. Only serew(M6 × 55) is needed to be used for installation, and gypsum board thickness not greater than 3/8 inch. If the wall is not strong enough, reinforce it sufficiently before installation.
- Please contact manufacturer if you have any questions about mounting surface issue.

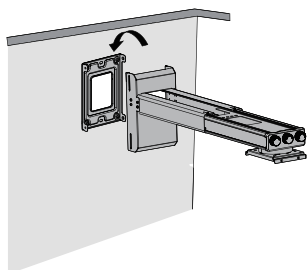


serew (M6 × 55) are needed to be used for installation in concrete wall mounting

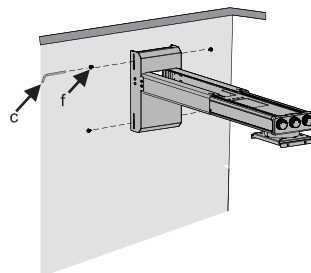
When installation on the wood stud wall, the stud position of the mount wall surface shall be defined, the fixed screw central point shall be aligned with the central line of stud.



serew (M6 × 55) are needed to be used for installation in dry-wall mounting



To set the projector wall mount on the wall

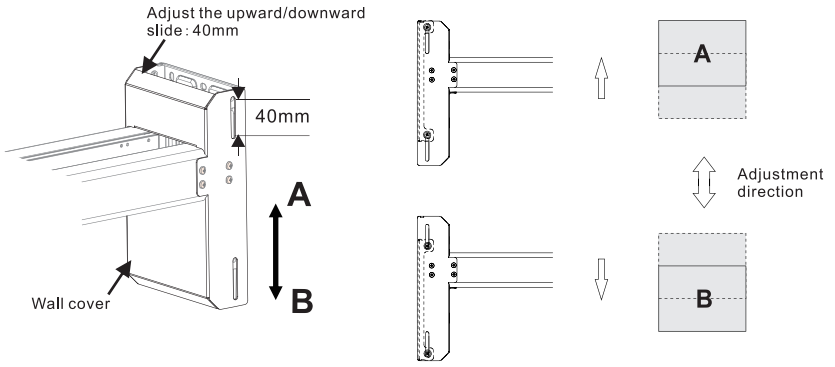


Tighten up the screws

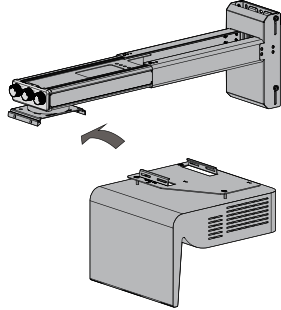
# To Set The Projector Wall Mount On The Wall

ENGLISH

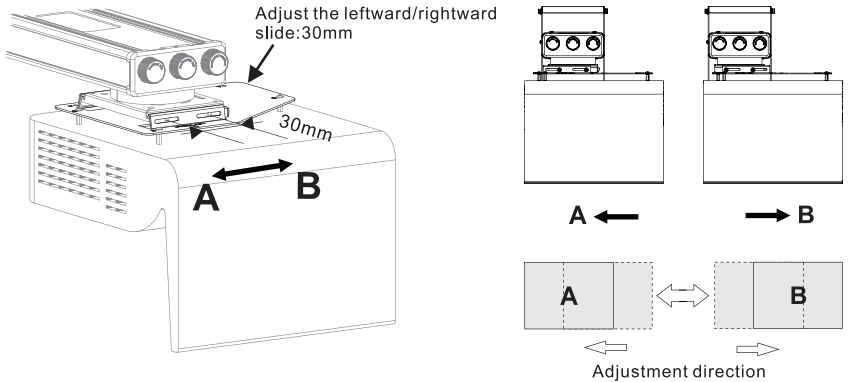
- Move the raised Wall plate and adjust the upward/downward slide.



# To Install The Projector On The Projector Wall Mount



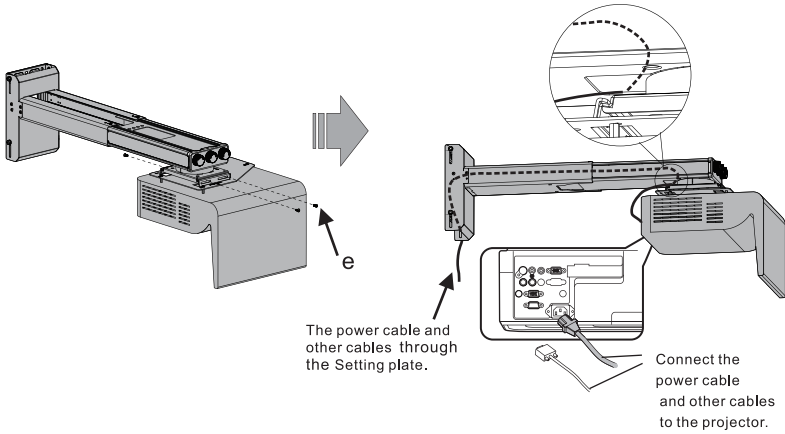
- Move the mounting plate and adjust the leftward/rightward slide.



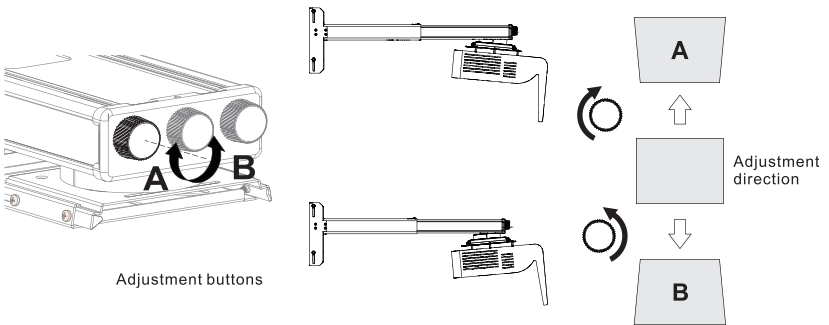
## To Install The Projector On The Projector Wall Mount

● Locking the screw e.

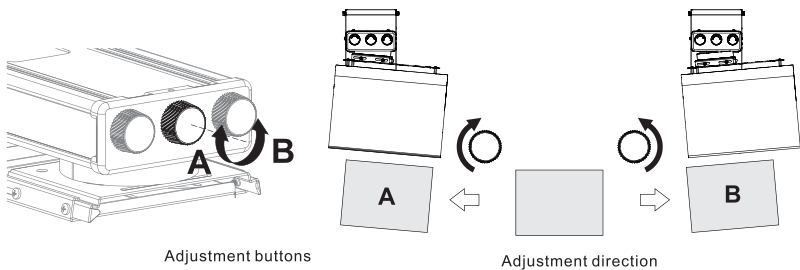
● Please put the power cable and other cables through the setting plate at the top of the hole.



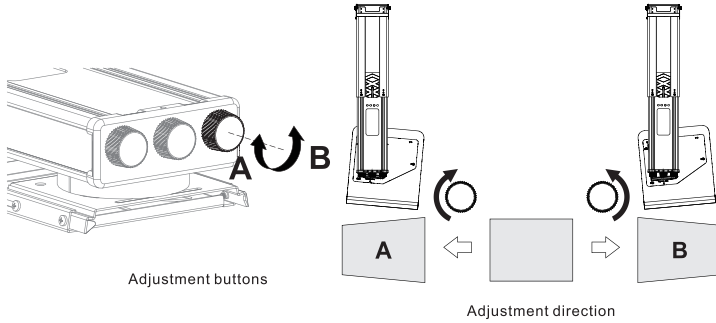
## To Adjust The Vertical Tilt



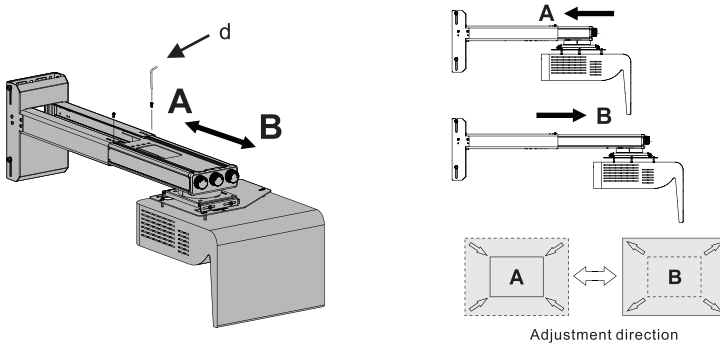
## To Adjust The Horizontal Roll



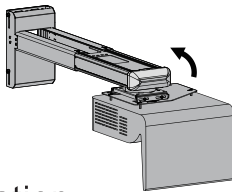
## To Adjust The Horizontal Rotation



## To Adjust The Forward/Backward Slide



## To Put On The Decorative Cover



### Product Information :

Net weight: 3.5kg	Rated capacity: 15kg
Adjustable angle: Longitudinal inclination、Level angle、Yaw angle $\pm 5^\circ$ (3 directions)	
Adjustable range: From the installation plate center horizontal distance 360mm ~ 665mm	
Adjustable range for upward/downward slide : 40mm	
Adjustable range for leftward/rightward slid: 30mm	