

DIGITAL
PROJECTOR

SU922

Touchboards

205 Westwood Ave, Long Branch, NJ 07740
Phone: 866-94 BOARDS (26273) / (732)-222-1511
Fax: (732)-222-7088 | E-mail: sales@touchboards.com



Features

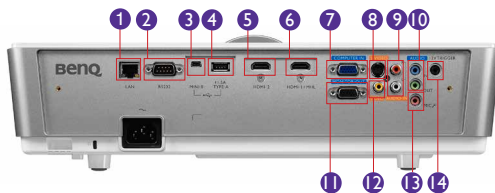
- Native WUXGA (1920X1200) resolution
- 5,000 ANSI lumens
- 3,000:1 high contrast ratio
- Vertical lens shift
- Big 1.6x zoom
- Easy installation and control



Specifications

Projection System	DLP®
Native Resolution	WUXGA (1920X1200)
Brightness	5,000 AL
Contrast Ratio	3,000:1
Display Color	1.07 Billion Colors
Lens	F=2.45~3.07, f=15.78 ~ 25.12
Aspect Ratio	Native 16:10 (5 aspect ratio selectable)
Throw Ratio	1.07~1.71
Image Size (Diagonal)	60"~240"
Zoom Ratio	1.6X
Lamp Type	370W
Lamp (Normal/Economic Mode)*	2000/2500 hours
Keystone Adjustment	2D, Vertical & Horizontal ± 30 degrees
Projection Offset	102.5% ±2.5%
Lens Shift	Vertical: +2.5%
Resolution Support	VGA(640 x 480) to UXGA(1600 x 1200)
Horizontal Frequency	15K~102KHz
Vertical Scan Rate	24~120Hz
Compatibility	HDTV Compatibility: 480i, 480p, 576i, 576p, 720p, 1080i, 1080p Video Compatibility: NTSC, PAL, SECAM
Interface	Computer in (D-sub 15pin) x 1 (Share with component) Monitor out (D-sub 15pin) x 1 Composite Video in (RCA) x 1 S-Video in (Mini DIN 4pin) x 1 HDMI x 2 (One with MHL) Audio in (Mini Jack) x 1 Audio L/R in (RCA) x 1 Audio out (Mini Jack) x 1 Speaker 20W LAN (RJ45) x 1 (LAN control) USB (Type Mini-B) x 1 (Download) USB (Type A) x 1 (5V/ 1.5A Power Supply) RS232 (DB-9pin) x 1 DC 12V Trigger x 1 IR Receiver x 2
Dimensions (WxHxD)	16.1" x 4.6" x 10.5" / 411.4x118.4x267.5 mm
Weight	10.8 lbs / 4.9kgs
Power Supply	AC100 to 240 V, 50 to 60 Hz
Power Consumption	Typical 490W, Network standby <6W, Standby power <0.5W
Power Management Function	Automatic power off after 20 minutes without a display source.
Audible Noise	36/33 dBA (Normal/Economic mode)
Languages	(28 Languages)
Picture Mode	Bright/Presentation/sRGB/Cinema/(3D)/User 1/User 2
Accessories (Standard)	Remote Control w/ Battery, Power Cord, User Manual CD, Quick Start Guide, Warranty Card, VGA(D-sub 15pin) Cable
Accessories (Optional)	Spare Lamp Kit P/N: 5J.JDP05.001 Ceiling Mount P/N: 5J.JAM10.001 3D Glasses P/N: 5J.J9H25.001 QP01 P/N: 5J.JCK28.A01
UPC / Part #	8400460-3267-8 / 9H.JDS77.15A
Limited Warranty	3 Years Parts/Labor; 1 Year or 2,000 hours of lamp life

Input and Output Terminals



- | | |
|-----------------------------|------------------------------|
| 1 LAN (RJ45) | 8 S-Video in (Mini DIN 4pin) |
| 2 RS232 (DB-9pin) | 9 Audio L/R in (RCA) |
| 3 USB (Type Mini B) | 10 Audio in/out (Mini Jack) |
| 4 USB (Type A) | 11 Monitor out (D-sub 15pin) |
| 5 HDMI-2 | 12 Composite Video in (RCA) |
| 6 HDMI-1 / MHL | 13 MIC |
| 7 Computer in (D-sub 15pin) | 14 12V Trigger |

*Lamp life results will vary depending on environmental conditions and usage. Actual product's features and specifications are subject to change without notice.

HDMI™
HIGH-DEFINITION MULTIMEDIA INTERFACE

MHL™



BenQ.us • BenQ.ca

BenQ is a registered trademark of BenQ Corp. All rights reserved. Product names, logos, brands, and other trademarks featured or referred to in this material are the property of their respective trademark holders. Specifications subject to change without notice.

SU922 | 12415

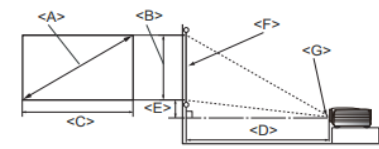
BenQ

Because it matters

SU922 Digital Projector

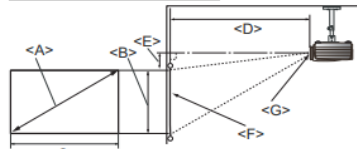
Distance Chart

Floor Installation



<F>: Screen <G>: Center of lens

Ceiling Installation

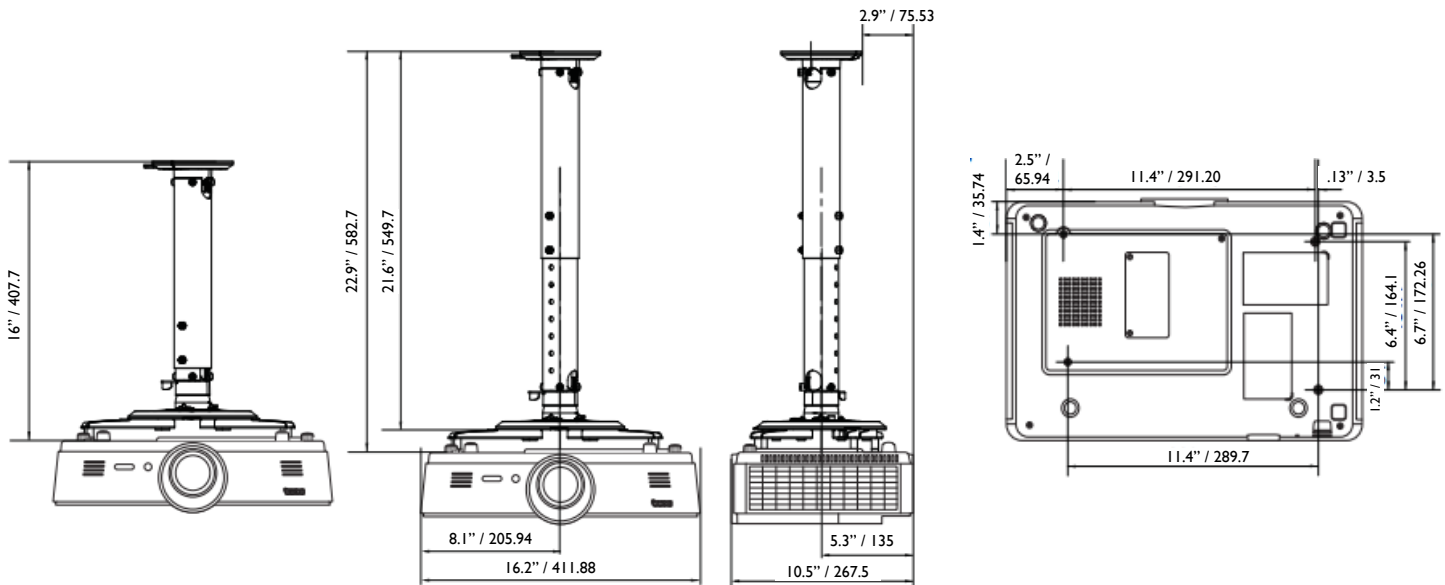


<F>: Screen <G>: Center of lens

Diagonal		Screen Size		Projection Distance <D> (inch/mm)			Lowest/Highest lens position <E> (inch/mm)
Inch	mm	Height (inch/mm)	Height <C> (inch/mm)	Min distance	Average	Max distance	
60	1524	32 / 810	51 / 1290	54.7 / 1390	70.8 / 1800	87.0 / 2210	1.57 / 40
70	1778	37 / 940	60 / 1510	63.7 / 1620	82.6 / 2100	101.5 / 2580	1.85 / 47
80	2032	42 / 1080	68 / 1720	72.8 / 1850	94.4 / 2400	116.1 / 2950	2.12 / 54
90	2286	47 / 1210	76 / 1940	81.8 / 2080	106.2 / 2700	130.7 / 3320	2.40 / 61
100	2540	53 / 1350	84 / 2150	90.9 / 2310	118.1 / 3000	145.2 / 3690	2.6 / 67
110	2794	58 / 1480	93 / 2370	100.0 / 2540	129.9 / 3300	159.8 / 4060	2.9 / 74
120	3048	63 / 1610	102 / 2590	109.1 / 2770	141.7 / 3600	174.0 / 4420	3.18 / 81
130	3302	68 / 1750	110 / 2800	118.1 / 3000	153.5 / 3900	188.5 / 4790	3.46 / 88
140	3556	74 / 1890	118 / 3020	127.2 / 3230	165.3 / 4200	203.1 / 5160	3.7 / 94
150	3810	79 / 2020	127 / 3230	136.2 / 3460	177.1 / 4500	217.7 / 5530	3.97 / 101
160	4064	84 / 2150	135 / 3450	145.2 / 3690	188.5 / 4790	232.2 / 5900	4.25 / 108
170	4318	90 / 2290	144 / 3660	154.3 / 3920	200.3 / 5090	246.8 / 6270	4.48 / 114
180	4572	95 / 2420	152 / 3880	163.3 / 4150	212.2 / 5390	261.0 / 6630	4.76 / 121
190	4826	101 / 2560	161 / 4090	172.4 / 4380	224.0 / 5690	275.5 / 7000	5.03 / 128
200	5080	106 / 2690	169 / 4310	181.4 / 4610	235.8 / 5990	290.1 / 7370	5.31 / 135
240	6096	127 / 3230	203 / 5170	218.1 / 5540	283.0 / 7190	348.0 / 8840	6.37 / 162

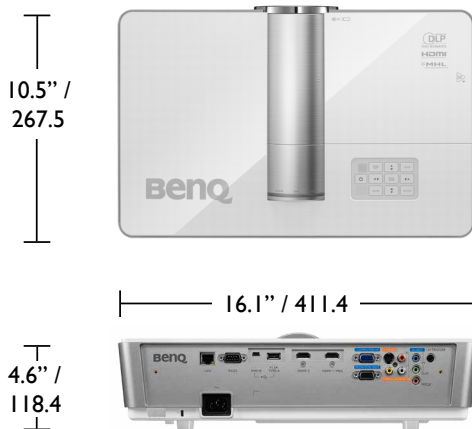
Ceiling Mount Chart

Units: inch / mm



Ceiling Mount Chart

Units: inch / mm



Because it matters