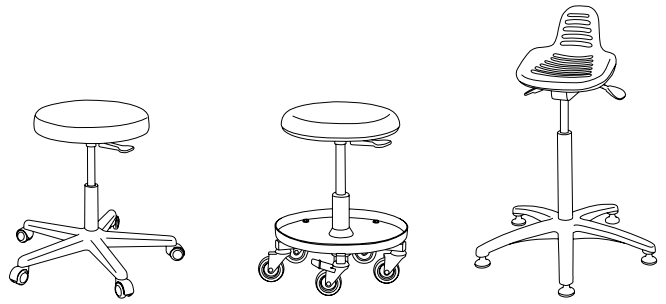




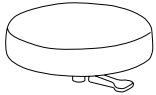
CHAIR ASSEMBLY INSTRUCTION GUIDE

for BEVCO Backless Stool Models

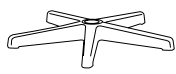
- 3000 Series
- Sit Stands
- Maintenance Repair Stools



PARTS LIST



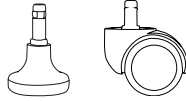
Seat w/control
Mechanism
(1)



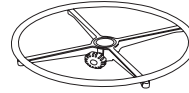
Five-star Base
(1)



Pneumatic
Cylinder
(1)

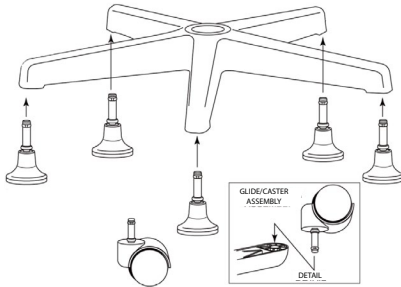


Glides/Casters
(5)
*Casters not
available for Sit
Stand



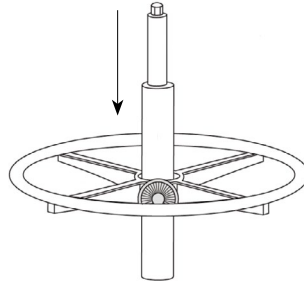
Footring
(optional)
(1)

1



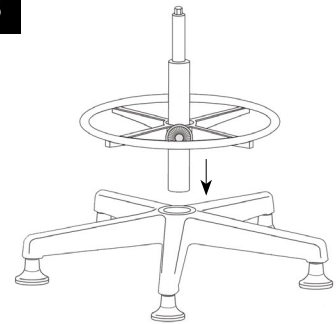
Insert glides or casters into each leg of the base.

2



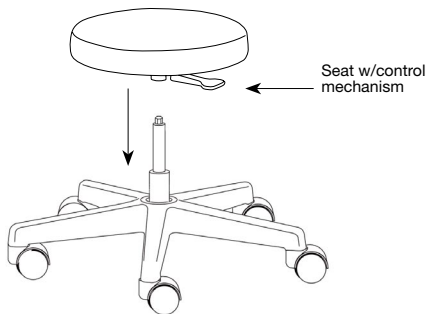
Slide footring (if enclosed) onto cylinder. Ensure the tubular ring faces upward. Tighten handwheel securely.

3



Slide the cylinder into the center of the base.

4



Place seat with control mechanism onto the end of the pneumatic cylinder. Sit on seat to secure fit onto cylinder.

Recommended Chair Maintenance

- ▶ Regularly clean your chair– vacuum fabric, wipe down vinyl and polyurethane with a mild detergent weekly
- ▶ Check that all bolts, screws and knobs are securely tightened every six months or as needed
- ▶ Clean casters (if applicable) by vacuuming or using compressed air to remove any accumulated dust, debris or hair. Add silicone lubricant if needed.
- ▶ Immediately remove chair from service if any damage or failure is found and contact Bevco Customer Service at **800-864-2991** or email **warranty@bevco.com**