

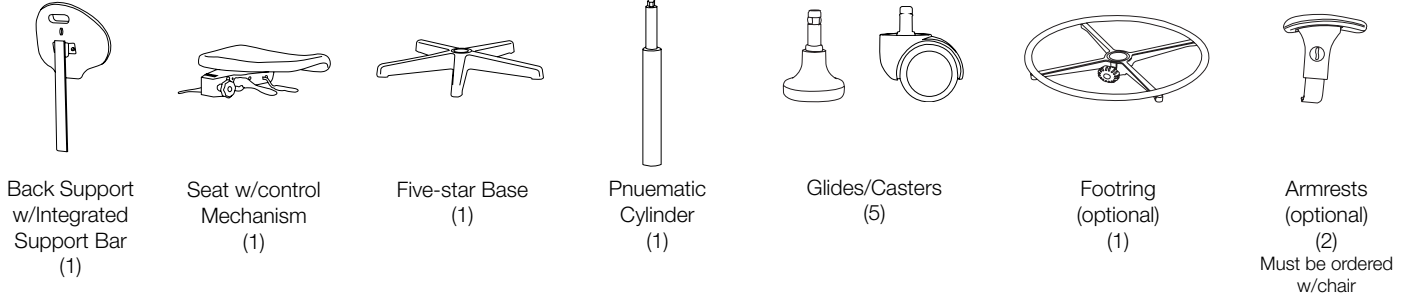


# CHAIR ASSEMBLY INSTRUCTION GUIDE

for BEVCO EVERLAST/DURA CHAIRS  
7000/7000D Series Tilt Models

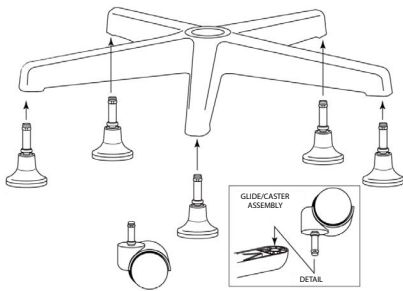


## PARTS LIST



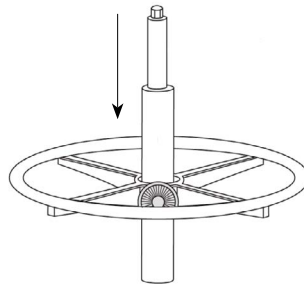
Must be ordered w/chair

**1**



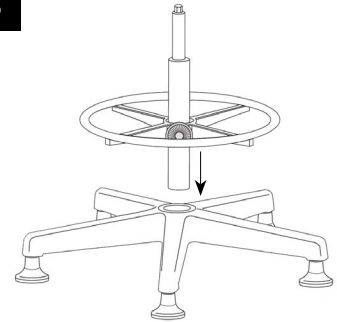
Insert glides or casters into each leg of the base.

**2**



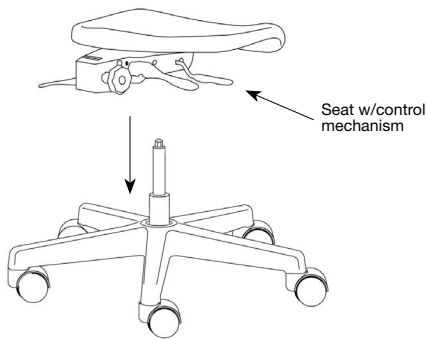
Slide footring (if enclosed) onto cylinder. Ensure the tubular ring faces upward. Tighten handwheel securely.

**3**



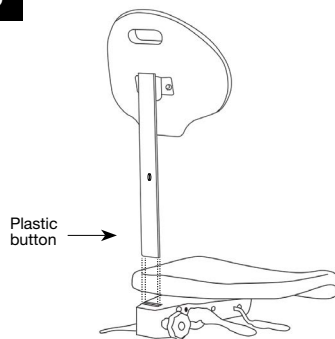
Slide the cylinder into the center of the base.

**4**



Place seat with control mechanism onto the end of the pneumatic cylinder. Sit on seat to secure fit onto cylinder.

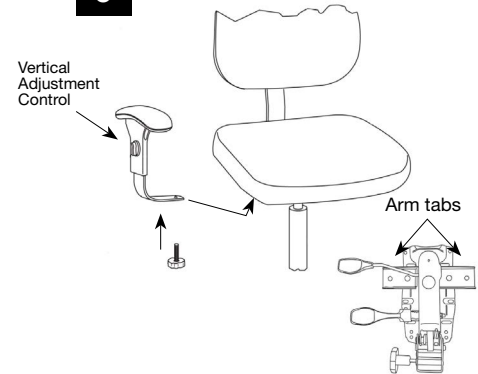
**5**



Remove plastic button from support bar connected to the backrest and slide the back support bar through the opening of the nylon insert on the control mechanism on back of seat. Tighten handwheel securely. Replace plastic button into hole in support bar.

**6**

## OPTIONAL ARMREST ASSEMBLY



Slide arm bracket into mounting plate arm tabs attached to control mechanism underneath seat. Tighten handwheel securely.

### Recommended Chair Maintenance

- ▶ Regularly clean your chair– vacuum fabric, wipe down vinyl and polyurethane with a mild detergent weekly
- ▶ Check that all bolts, screws and knobs are securely tightened every six months or as needed
- ▶ Clean casters (if applicable) by vacuuming or using compressed air to remove and accumulated dust, debris or hair. Add silicone lubricant if needed.
- ▶ Immediately remove chair from service if any damage or failure is found and contact Bevco Customer Service at **800-864-2991** or email [warranty@bevco.com](mailto:warranty@bevco.com)