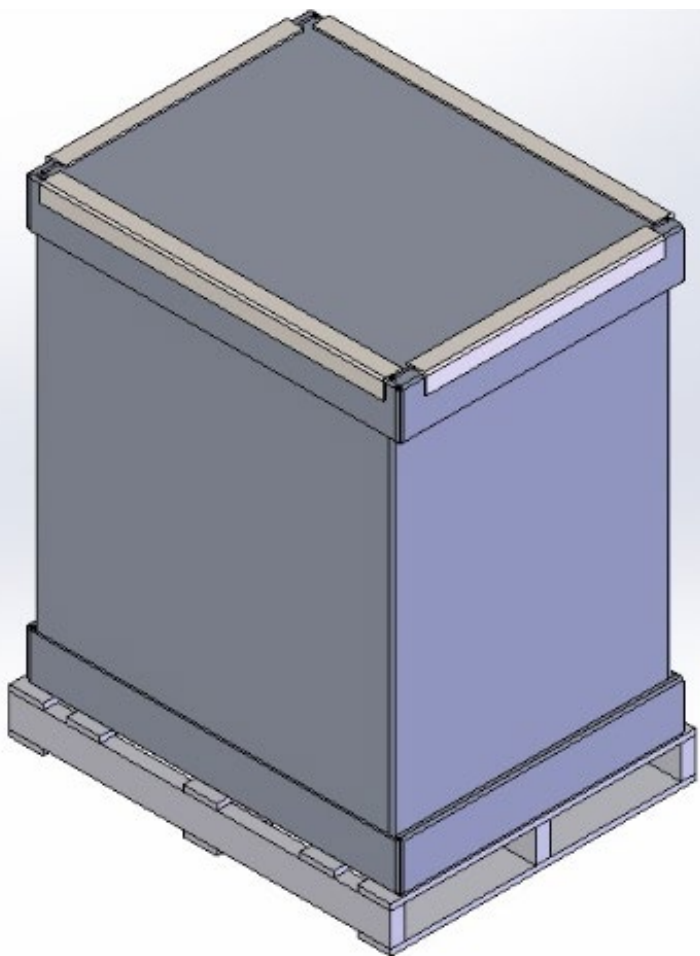




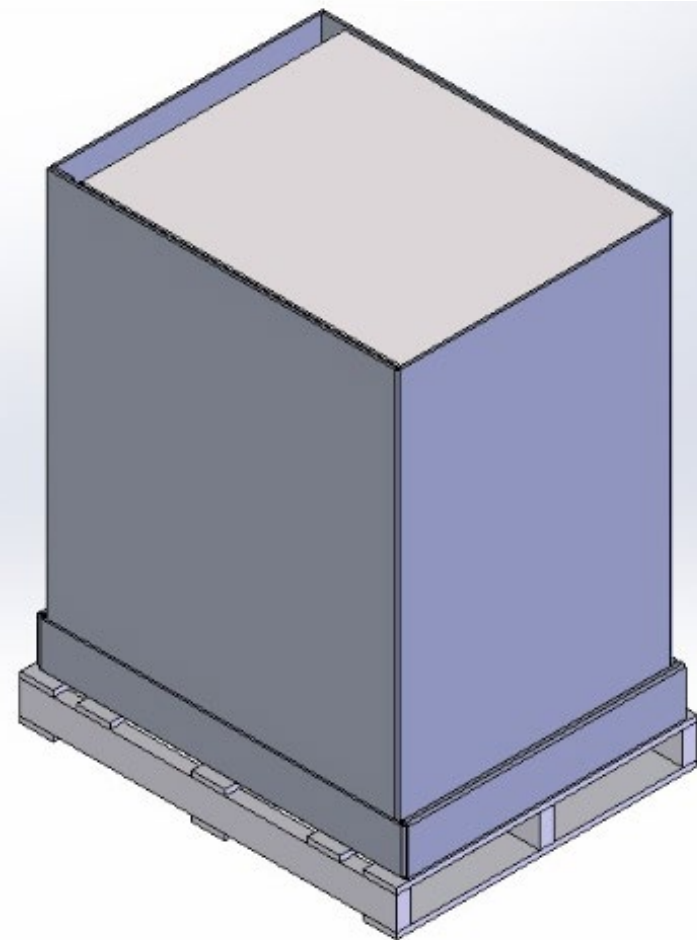
BRETTFORD®

Charging Cart Unpacking Instructions

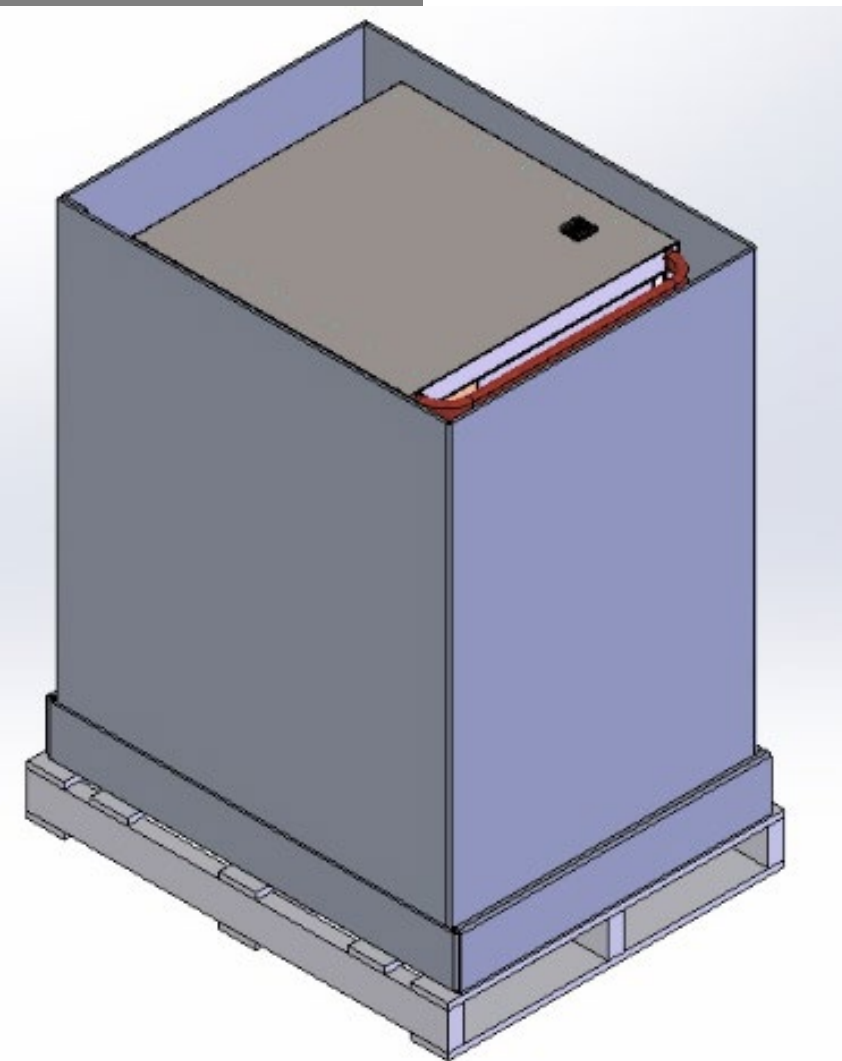
STEP 1:
Remove
Straps



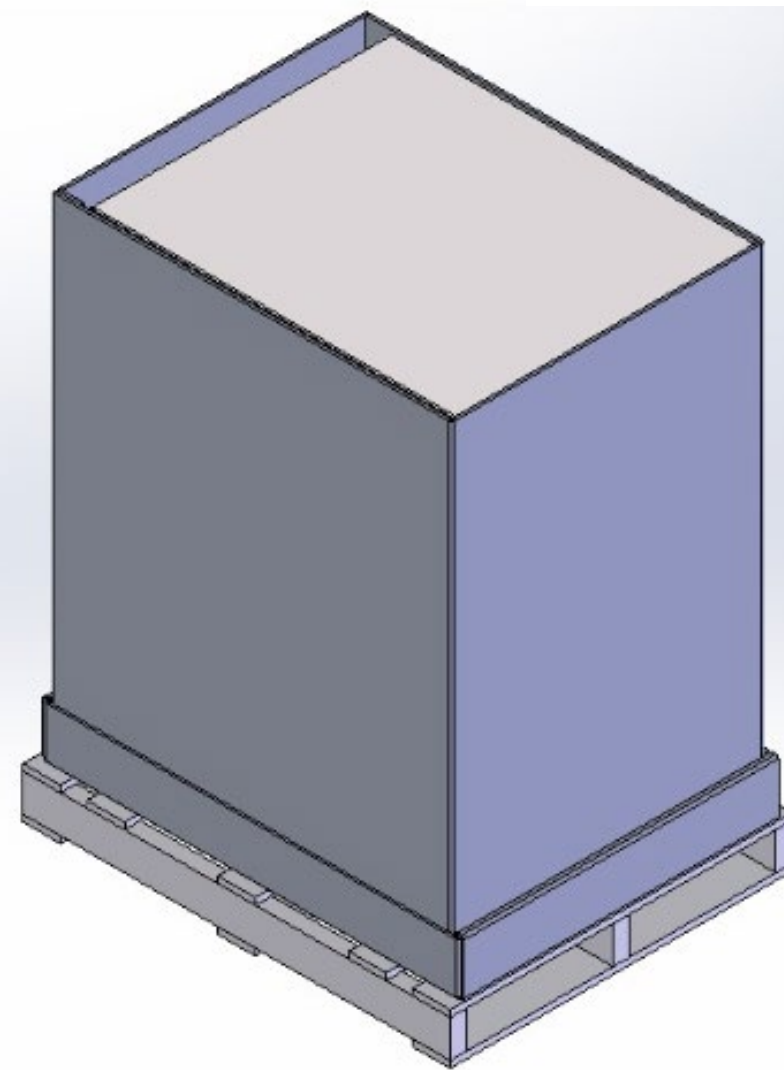
STEP 2:
Remove
Top Tray



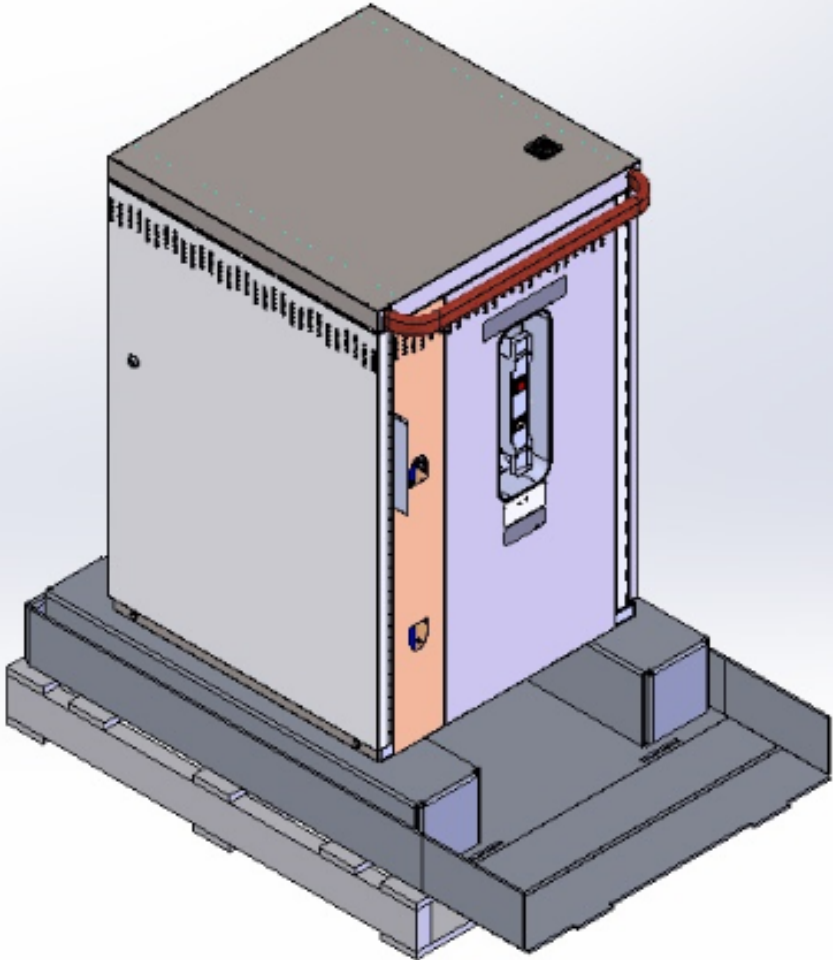
STEP 3:
Remove
Top
Support



STEP 4:
Remove
Outer Wrap
& Plastic
Bag

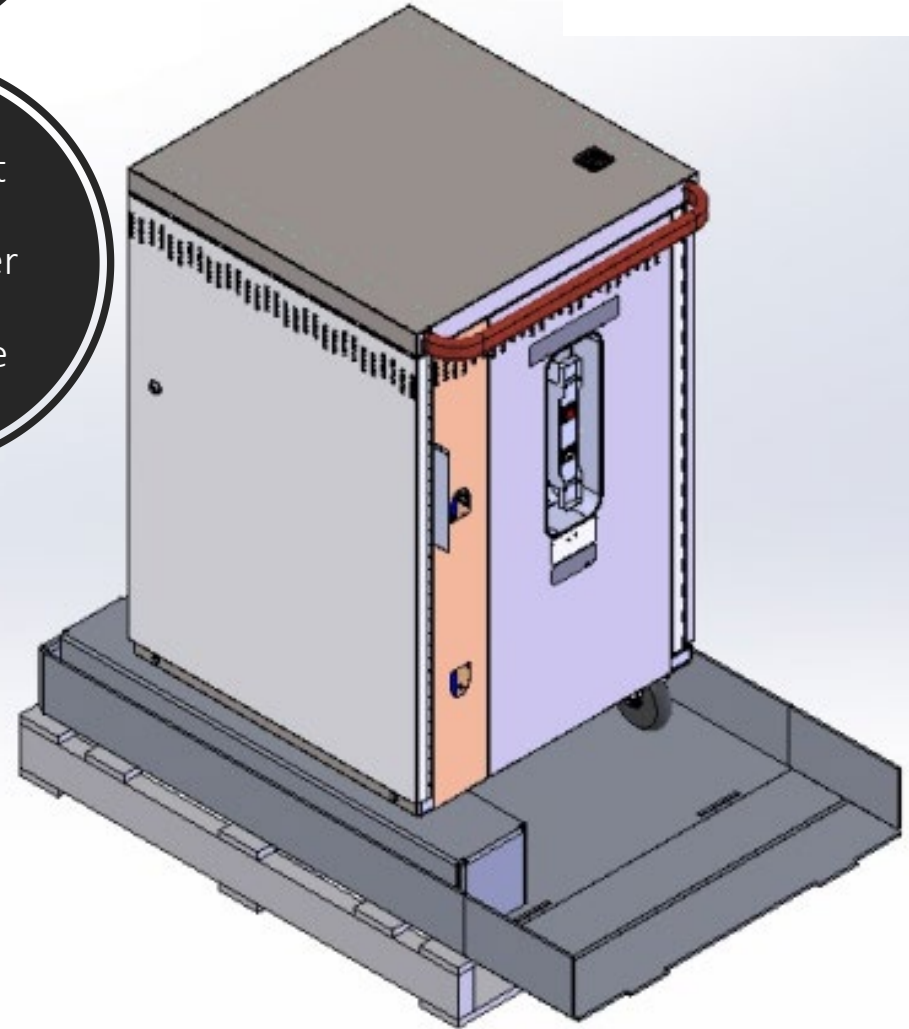


STEP 5:
Unfold
End Flap
of the
Tray



STEP 6:
Requires
2 people

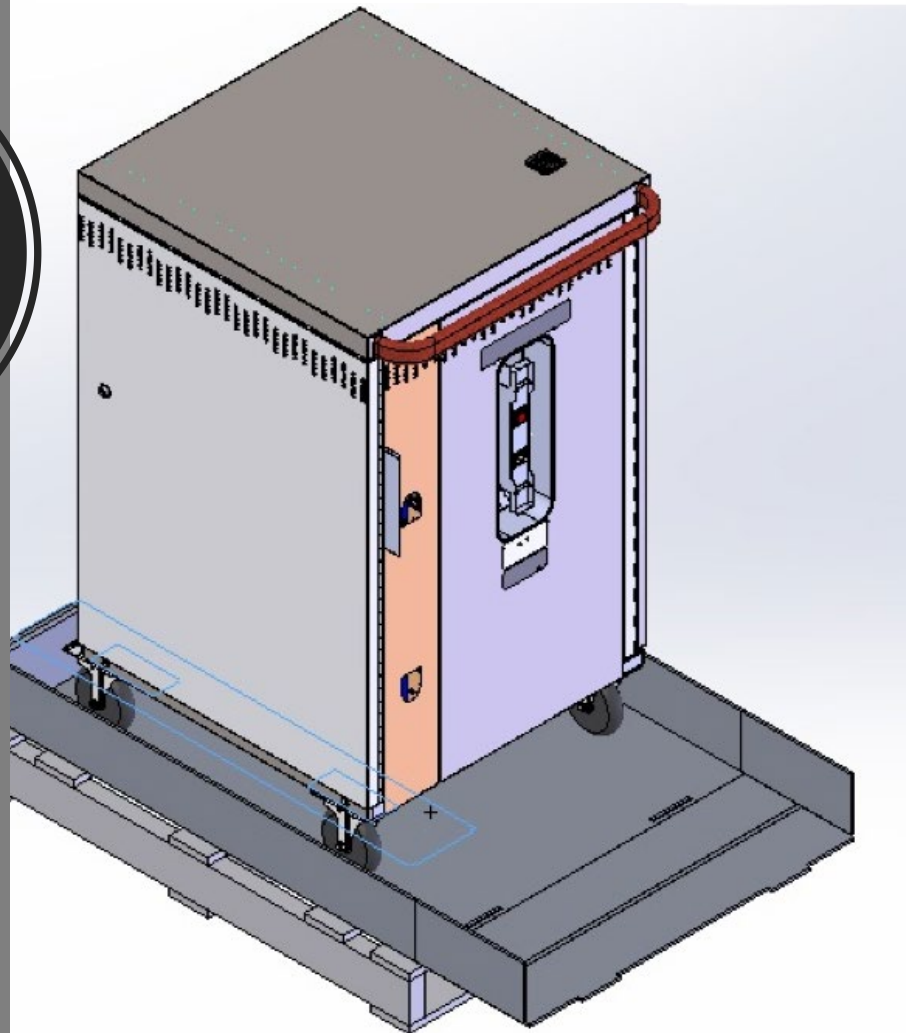
One Person
Tilts the Cart
to the Left
and the Other
Person
Removes the
Support



STEP 7:
Requires
2 people

One Person
Tilts the Cart
to the Right
and the Other
Person
Removes the
Support

If repacking is
required. Please
follow the
instructions in
reverse.



STEP 8:
Roll Cart
Off Pallet

