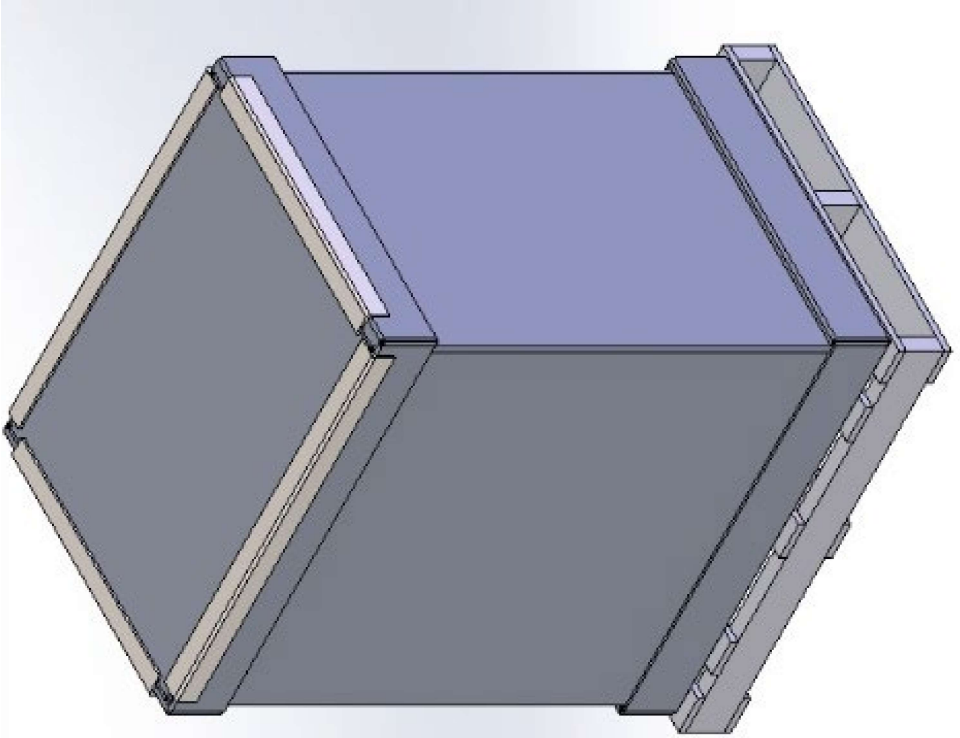
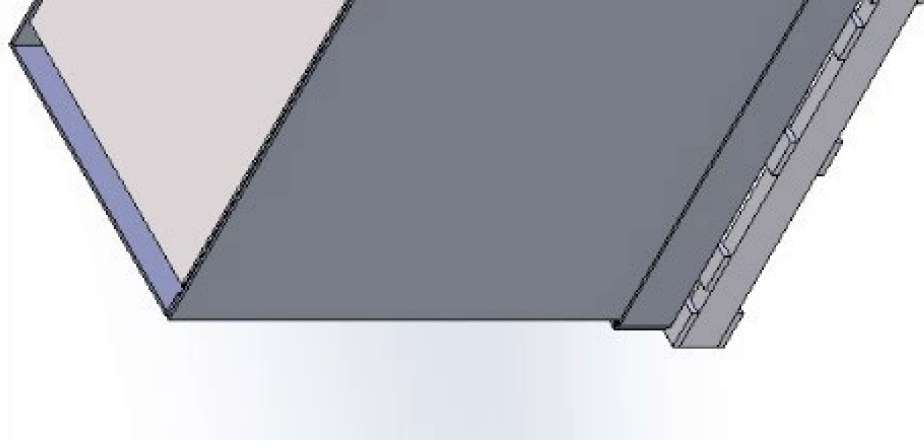




BRETTFORD

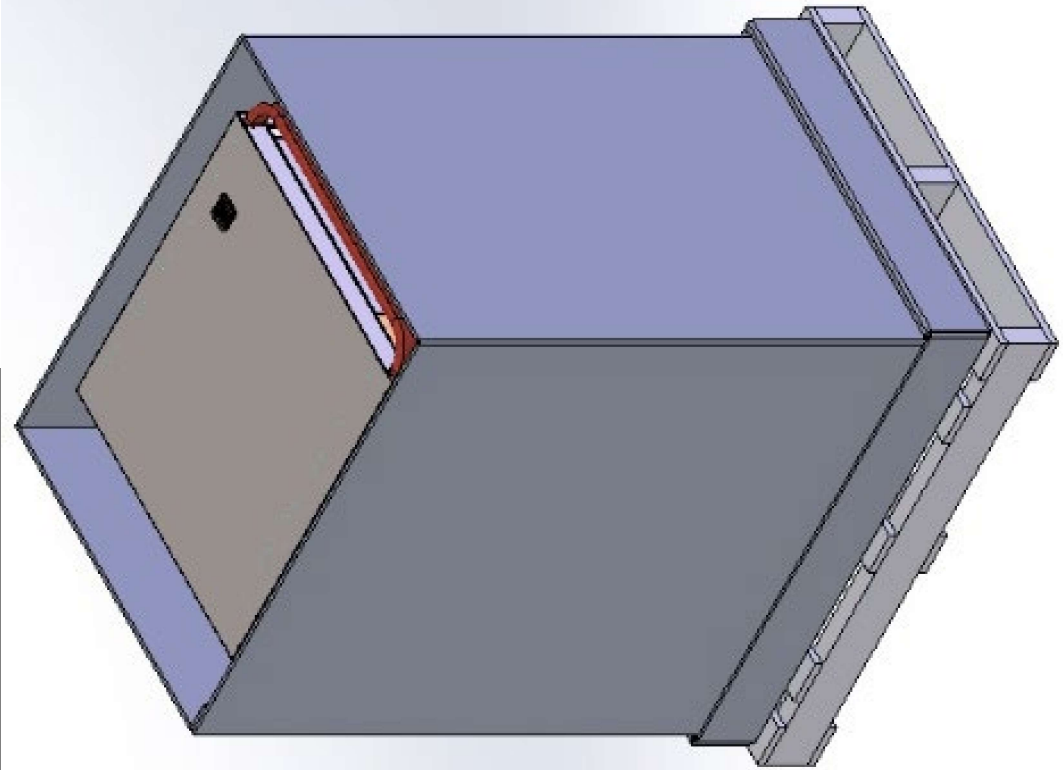
Charging Cart Unpacking Instructions



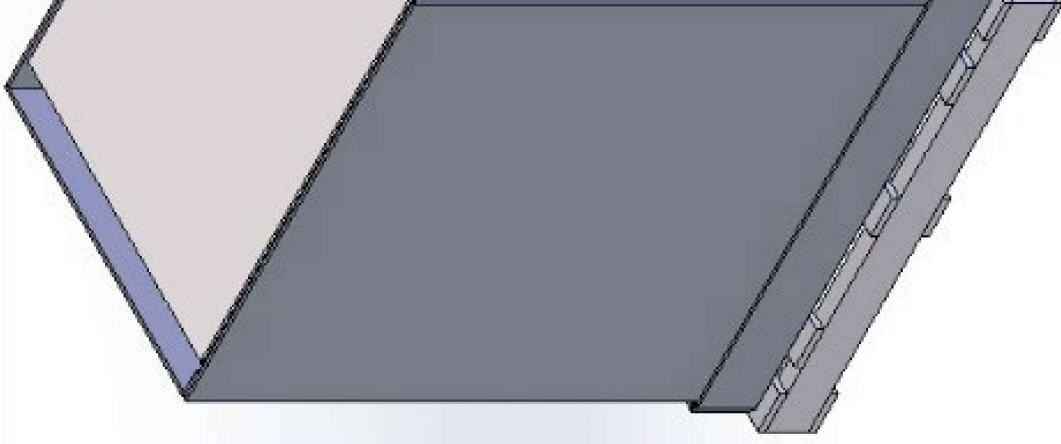
STEP 2:
Remove
Top Tray

STEP 1:
Remove
Straps

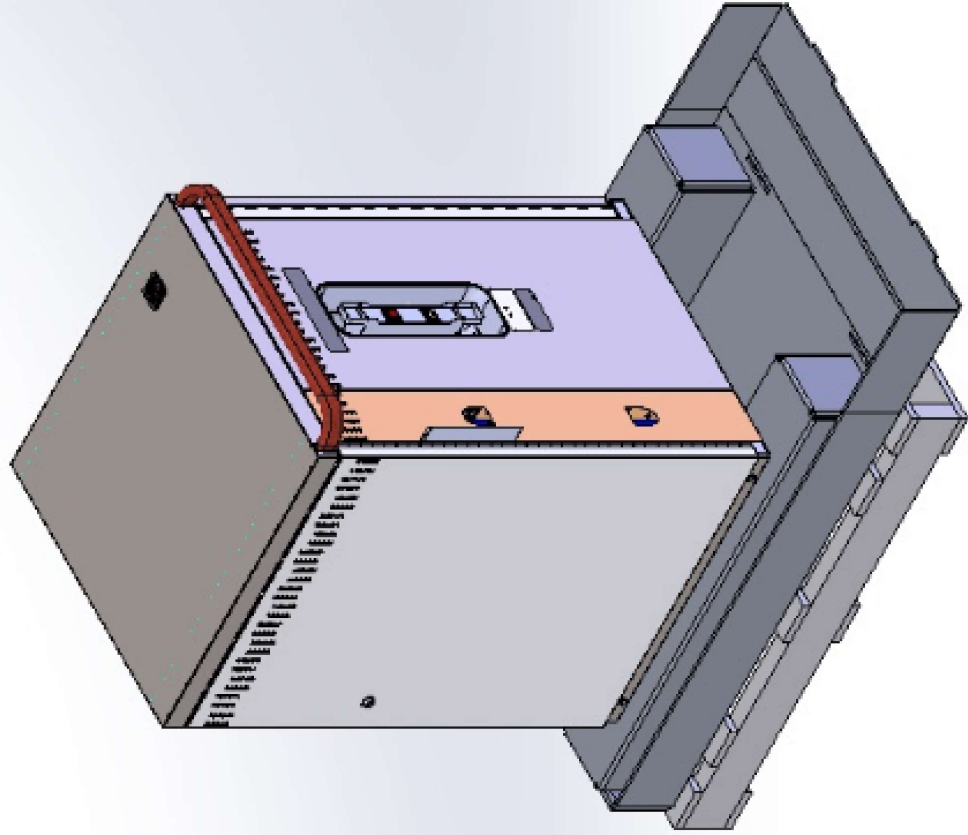
STEP 3:
Remove
Top
Support



STEP 4:
Remove
Outer Wrap
& Plastic
Bag

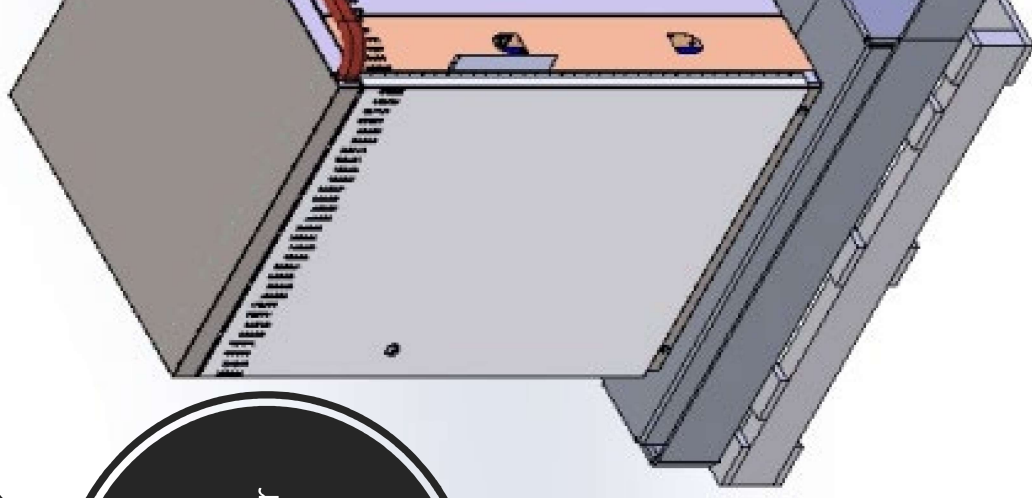


STEP 5:
Unfold
End Flap
of the
Tray



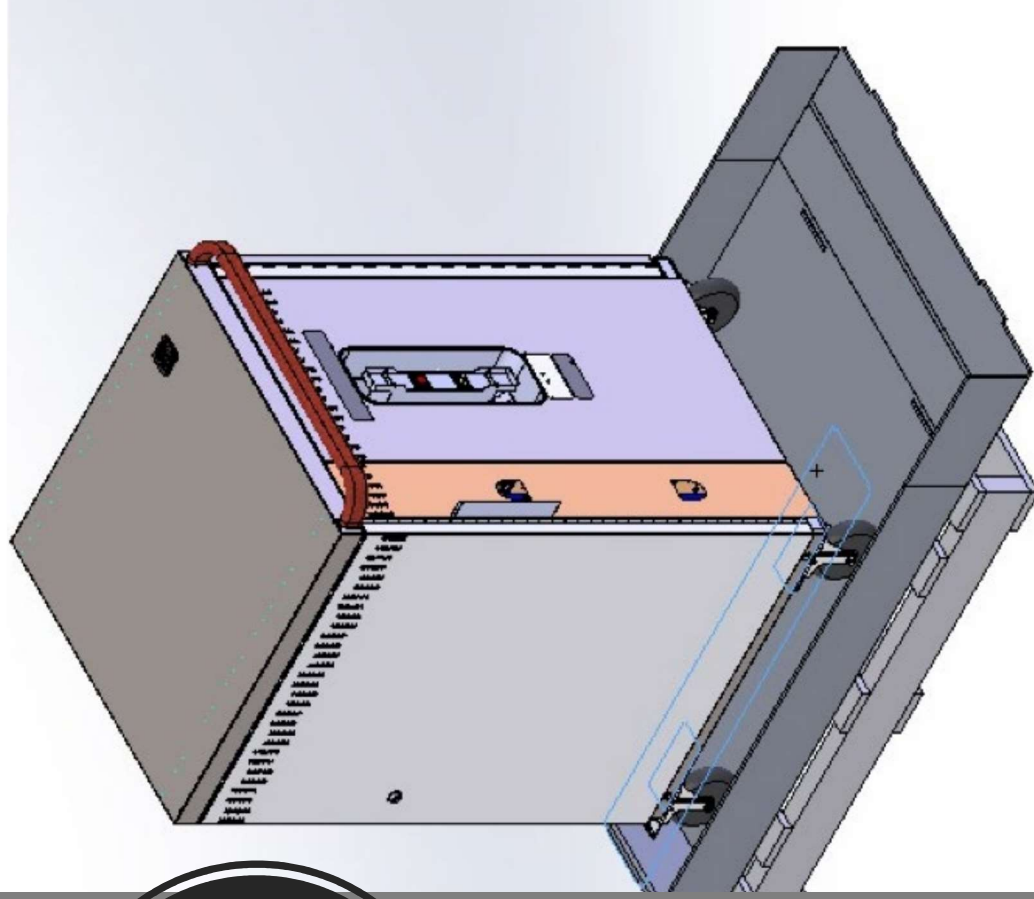
STEP 6:
Requires
2 people

One Person
Tilts the Cart
to the Left
and the Other
Person
Removes the
Support

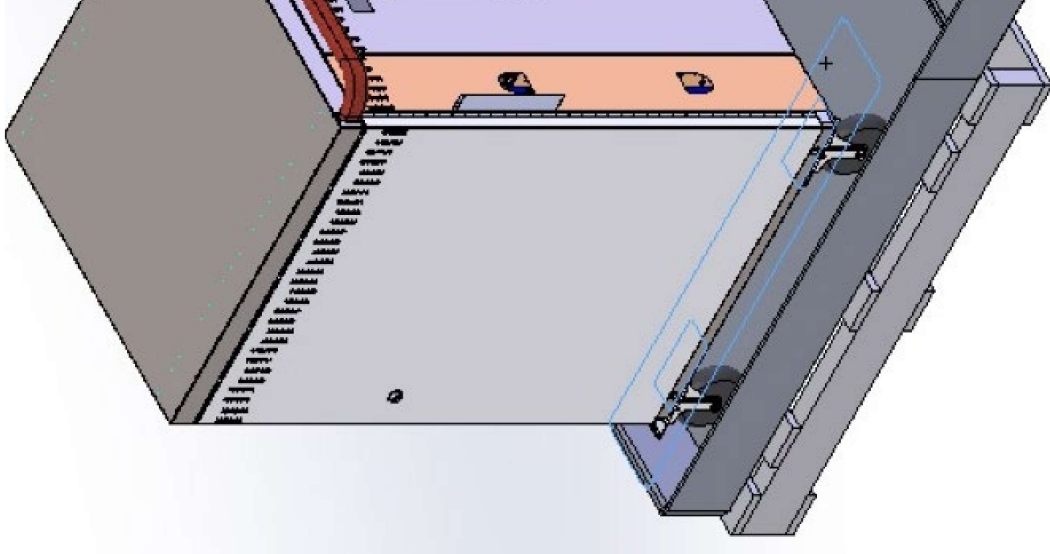


STEP 7:
Requires
2 people

One Person
Tilts the Cart
to the Right
and the Other
Person
Removes the
Support



STEP 8:
Roll Cart
Off Pallet



If repacking is required. Please follow the instructions in reverse.