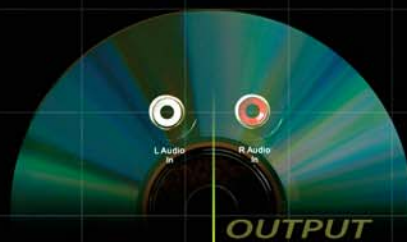


# SELF-AMPLIFIED CEILING SPEAKERS



## AMP-IC5 AMP-IC6

- Fits onto the OWI IC5 and IC6 In-Ceiling Speakers
- Can Effectively Drive up to Three Additional IC5/IC6
- Up to 25 Watts of Class AB Power Right at the Speakers
- Lower Noise Feature
- Fast and Easy - Install in the Field
- 12 Volt AC Power Supply Included
- Protected from Shorts and Overheating
- Line Level Volume Control Available

NON-AMPLIFIED SPEAKERS



## Touchboards

205 Westwood Ave, Long Branch, NJ 07740  
Phone: 866-94 BOARDS (26273) / (732)-222-1511  
Fax: (732)-222-7088 | E-mail: sales@touchboards.com



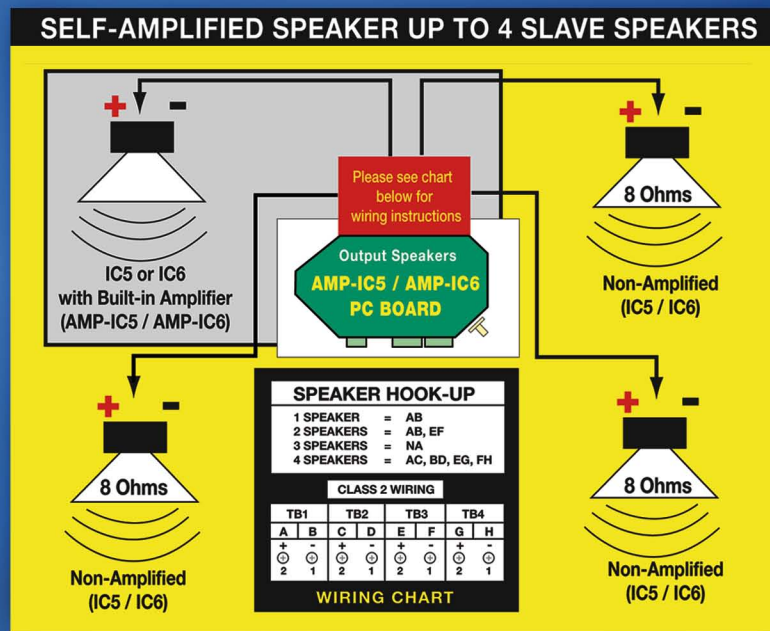
## OWI Model AMP - IC5 | AMP - IC6

Equipped with many of the new and most popular installer features, the AMP-IC5/6 power module is made to expressly fit into the OWI Models IC5 or IC6 coaxial speaker providing a high fidelity module delivering up to 25 watts of Class AB power right at the speaker.

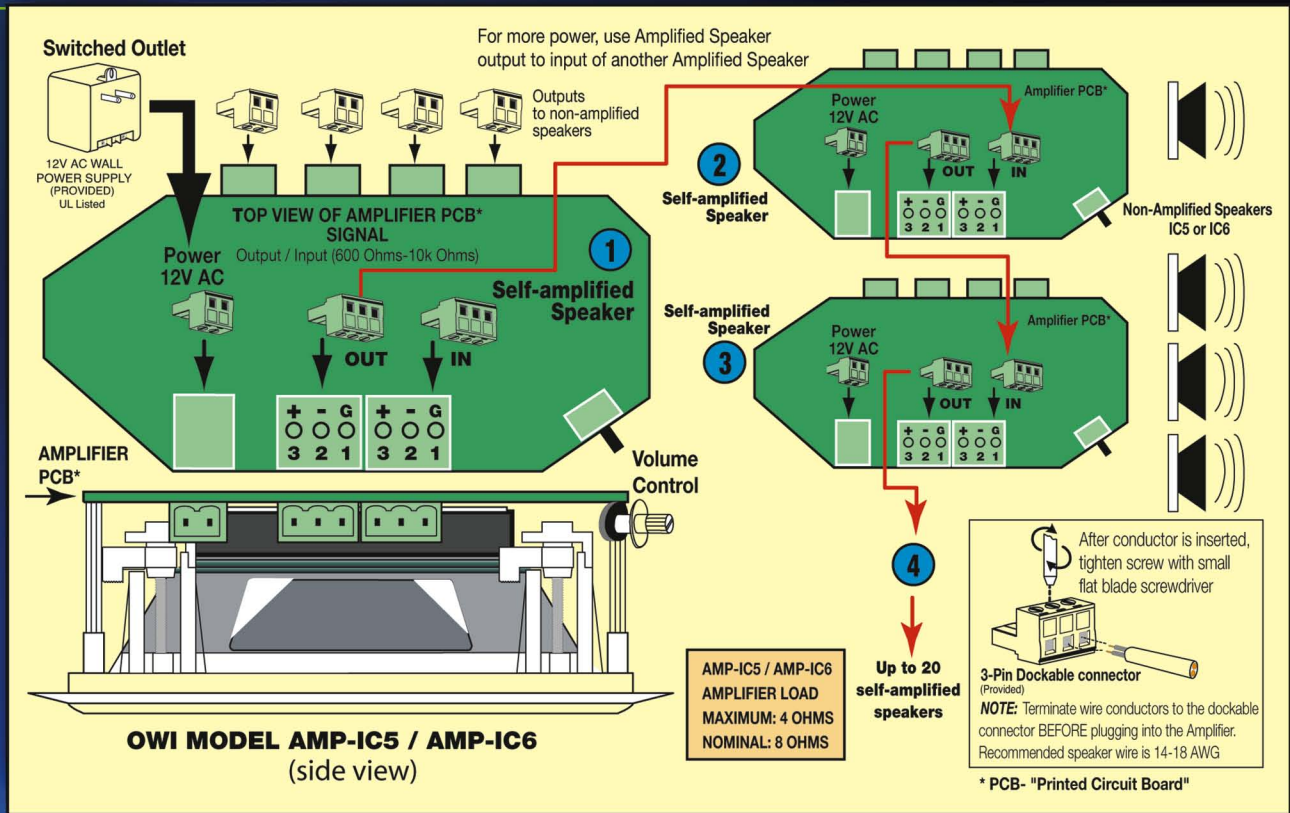
By being within inches of the speaker, the amplifier facilitates maximum damping control of the speaker due to low source impedance resulting in maximum high fidelity reproduction.

Tailor-designed and dedicated specifically to match the speaker, the amplifier effectively delivers optimum response. The power module has critical design features that facilitate fast and easy installation in the field.

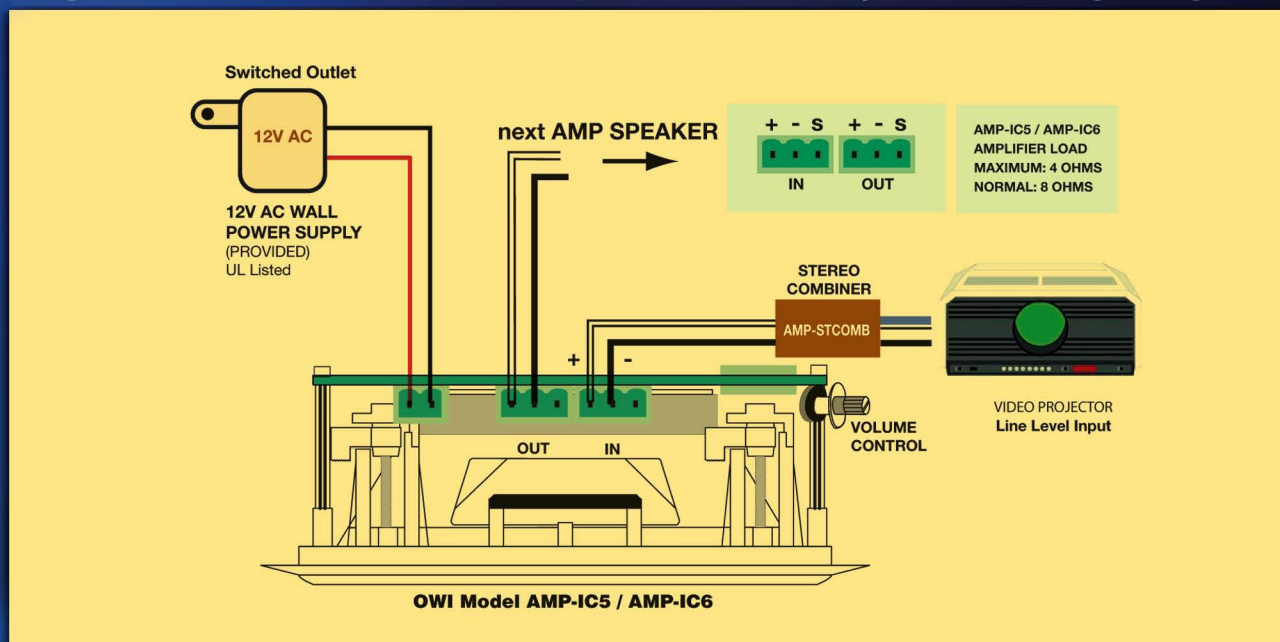
SELF-AMPLIFIED CEILING SPEAKERS



# Single Source Self-amplified 4 Speakers Wiring Diagram



# Single Source Self-amplified Speaker and Projector Wiring Diagram



# Self-amplified CEILING SPEAKERS



## GENERAL SPECIFICATIONS:

Model Number	AMP-IC5 / AMP-IC6	Model Number	IC5	IC6
Frequency Response	50 Hz to 15kHz. HF is Optimized to Enhance Frequency Response of the Speaker.	Description:	5.25" 2-Way Co-Axial	6.5" 2-Way Co-Axial
Total Harmonic Distortion (THD)	<.1%	Covered Outdoor:	Yes	Yes
Signal to Noise Ratio (S/N)	>90dB	Impedance:	8 Ohms	8 Ohms
Input Configuration	Differential (Noise Reducing)	Sensitivity (1W/1M):	85.2 dB	86.5 dB
Min. Common Mode Rejection	40dB	Max Power:	40 Watts	50 Watts
Max. Power Output	25 Watts	Nominal Power:	20 Watts	25 Watts
At load Impedance	4 Ohms (2 speakers in Parallel or 4 Speakers in Series Parallel)	Frequency Response:	70 Hz - 20 kHz	45 Hz - 20 kHz
Min. Power Supply Voltage	8 Volts	Crossover:	4 kHz	4 kHz
Max. Supply Voltage	14 Volts	Woofers Size:	5.25"	6.5"
Max. Current Protected	Yes	Woofers Material:	Paper Coated	Paper Coated
Short Circuit Protected	Yes		Polyurethane Surround	Polyurethane Surround
One Wire to Ground Protected	Yes	Tweeter Size:	0.5"	0.5"
Min. Load Impedance	3.2 Ohms	Tweeter Material:	Hard Dome	Hard Dome
Input Load Impedance	10K Ohms		(Ferofluid Cooled)	(Ferofluid Cooled)
Plastic	Fire Rated V-0	Grill Material:	Aluminum	Aluminum
Max. no. of Amplifiers on one line	20	Dimensions:	8" D x 2 1/2" H	9" D x 2 1/2" H
Available Backcan (Sold Separately)	UL Listed and Plenum Rated	Weight:	2.60 lbs.	2.90 lbs.
Warranty	1 year	Mounting Hardware:	Kwik Klamps	Kwik Klamps
		Cut Out Size:	6 5/8"	7 5/8"
		Paintable:	Yes	Yes

## SELF-AMPLIFIED IN-CEILING SPEAKER COMBINATION PROGRAM (Single Source)



5" MODEL	MODEL NAME	AMP-IC5 (Single Source)	POWER SUPPLY (UL Listed)	IC5 (8 Ohms)	TILE BRIDGE 5TB	BACKCAN (UL Listed) (Plenum Rated)	VOLUME CONTROLS <i>Available in White (W) or Brushed Steel (BS)</i>		STEREO COMBINER AMP-STCOMB
							STEREO AMP-STVC	MONO AMP-MOVC	
<b>A</b>	<b>SINGLE SPEAKER COMBINATION</b>								
	AMP1S51	1 ea	1 ea	-	1 ea	1 ea	-	-	
	AMP1S51MVC	1 ea	1 ea	-	1 ea	1 ea	-	1 ea	Optional (Sold Separately)
	AMP1S51SVC	1 ea	1 ea	-	1 ea	1 ea	1 ea	-	
<b>B</b>	<b>TWO SPEAKER COMBINATION</b>								
	AMP1S52	1 ea	1 ea	1 ea	2 ea	2 ea	-	-	
	AMP1S52MVC	1 ea	1 ea	1 ea	2 ea	2 ea	-	1 ea	Optional (Sold Separately)
	AMP1S52SVC	1 ea	1 ea	1 ea	2 ea	2 ea	1 ea	-	
<b>C</b>	<b>FOUR SPEAKER COMBINATION</b>								
	AMP1S54	1 ea	1 ea	3 ea	4 ea	4 ea	-	-	
	AMP1S54MVC	1 ea	1 ea	3 ea	4 ea	4 ea	-	1 ea	Optional (Sold Separately)
	AMP1S54SVC	1 ea	1 ea	3 ea	4 ea	4 ea	1 ea	-	
6" MODEL	MODEL NAME	AMP-IC6 (Single Source)	POWER SUPPLY (UL Listed)	IC6 (8 Ohms)	TILE BRIDGE 6TB	BACKCAN (UL Listed) (Plenum Rated)	STEREO AMP-STVC	MONO AMP-MOVC	STEREO COMBINER AMP-STCOMB
<b>D</b>	<b>SINGLE SPEAKER COMBINATION</b>								
	AMP1S61	1 ea	1 ea	-	1 ea	1 ea	-	-	
	AMP1S61MVC	1 ea	1 ea	-	1 ea	1 ea	-	1 ea	Optional (Sold Separately)
	AMP1S61SVC	1 ea	1 ea	-	1 ea	1 ea	1 ea	-	
<b>E</b>	<b>TWO SPEAKER COMBINATION</b>								
	AMP1S62	1 ea	1 ea	1 ea	2 ea	2 ea	-	-	
	AMP1S62MVC	1 ea	1 ea	1 ea	2 ea	2 ea	-	1 ea	Optional (Sold Separately)
	AMP1S62SVC	1 ea	1 ea	1 ea	2 ea	2 ea	1 ea	-	
<b>F</b>	<b>FOUR SPEAKER COMBINATION</b>								
	AMP1S64	1 ea	1 ea	3 ea	4 ea	4 ea	-	-	
	AMP1S64MVC	1 ea	1 ea	3 ea	4 ea	4 ea	-	1 ea	Optional (Sold Separately)
	AMP1S64SVC	1 ea	1 ea	3 ea	4 ea	4 ea	1 ea	-	



205 Westwood Ave, Long Branch, NJ 07740  
 Phone: 866-94 BOARDS (26273) / (732)-222-1511  
 Fax: (732)-222-7088 | E-mail: sales@touchboards.com