

REV.	DATE	DESCRIPTION	ECO	BY	C'H'K.
A	2021-07-01 00:00:00 EDT	NEW DRAWING	210614009162	BAU	LNB

SPECIFICATIONS

OUTPUT FORCE: 6 TONS (5.4 METRIC TONS)
 TOOL WEIGHT WITH BATTERY: 12.7 LBS (5.8 kg)
 LENGTH: 15.2 IN (38.6 cm)
 WIDTH: 3.2 IN (8.1 cm)
 HEIGHT: 14.9 IN (37.9 cm)

TOOL FEATURES AND BENEFITS

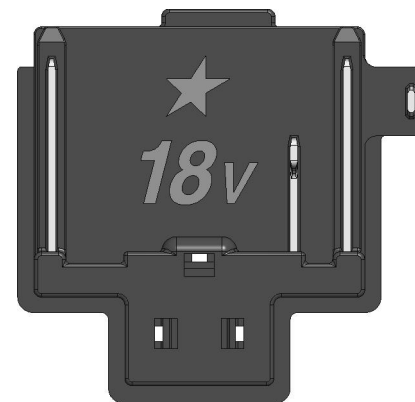
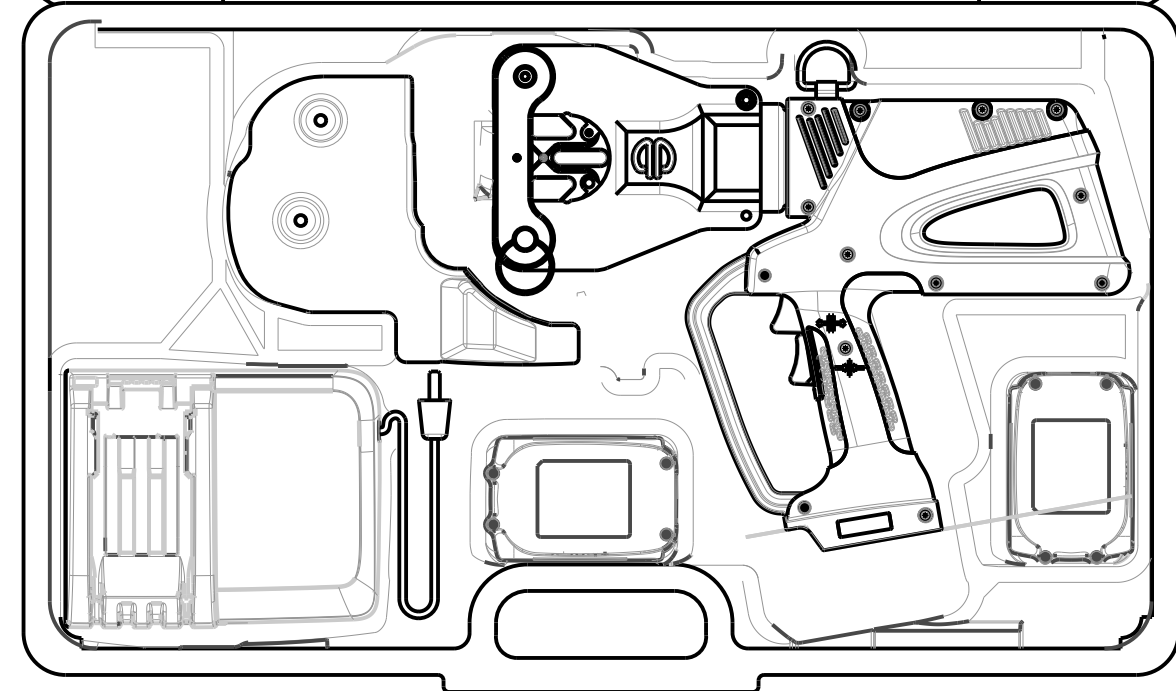
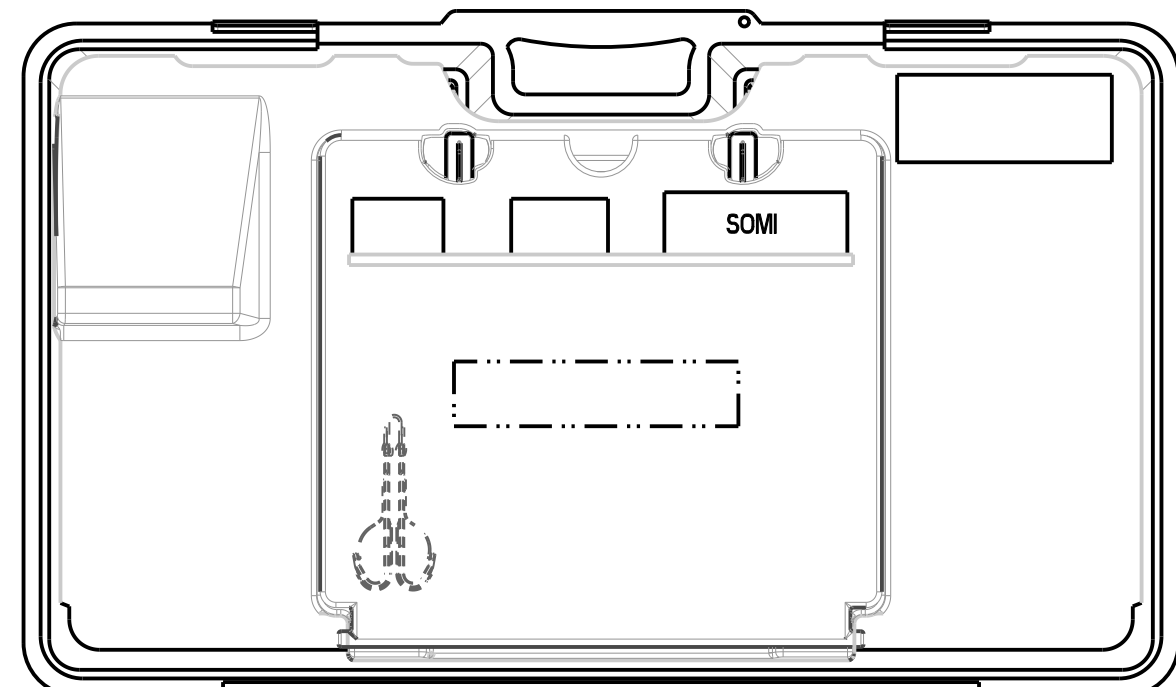
- REFINED HYDRAULIC SYSTEM FOR SUPERIOR PERFORMANCE, SPEED AND RELIABILITY.
- FIELD PROVEN ELECTRONICS FOR ULTIMATE RELIABILITY IN THE HARSHTEST ENVIRONMENTS.
- OVERMOLDED HANDLE FOR COMFORT AND IMPROVED GRIP; ALLOWS FOR ONE-HANDED OPERATION FOR ADVANCE, RETRACT AND HOLD.
- MAKITA 18 VOLT LITHIUM-ION BATTERIES PROVIDE 2.5 TIMES MORE CHARGE / DISCHARGE CYCLES THAN TRADITIONAL Ni-Cd BATTERIES AND PROVIDE 430% MORE LIFETIME WORK.
- MAKITA 30 MINUTE CHARGER CONTROLS CURRENT, VOLTAGE AND TEMPERATURE TO MAXIMIZE BATTERY LIFE. FORCED AIR COOLING FAN COOLS THE BATTERY BY FORCING COOL AIR THROUGH THE BATTERY'S BUILT-IN AIR VENTS.
- STATE OF THE ART CRIMPING HEAD DESIGN, 355° ROTATION LETS THE USER GET INTO TIGHT AREAS EASIER.
- ERGONOMICALLY BALANCED TOOL DESIGN EASES OPERATION AND HELPS LESSEN FATIGUE.
- DURABLE HIGH IMPACT FORMED CARRYING CASE PROVIDES SUPERIOR PROTECTION AND STORES ALL ACCESSORIES.
- 5 YEAR LIMITED WARRANTY ON THE TOOL, 3 YEAR LIMITED WARRANTY ON THE BATTERIES AND CHARGER.
- LIFETIME WARRANTY ON THE INFINITY DRIVE.
- DIELESS SYSTEM ELIMINATES THE NEED TO PURCHASE AND MAINTAIN DIES.
- DIELESS SYSTEM ALLOWS CONNECTORS AND SPLICES TO BECOME RANGE TAKING.

NOTES:

1. READ AND FOLLOW ALL INSTRUCTIONS PROVIDED BY THE OPERATORS MANUAL AND WARNING LABEL BEFORE USING THIS TOOL.
2. TOOL ACCEPTS 18V MAKITA LITHIUM ION BATTERIES, BL SERIES OF SIZE 2.0 AHR AND GREATER. THE "STAR" MOLDED INTO THE BATTERY CLIP IDENTIFIES ACCEPTANCE OF THE BL SERIES BATTERIES.
3. FOR TOOLS WHICH DO NOT HAVE A "STAR" MOLDED INTO THE PLASTIC BATTERY CLIP, USE IS LIMITED TO THE BL1830 (3.0 AHR) BATTERY. FORCING ANY OTHER BATTERY INTO THIS TOOL WILL VOID THE WARRANTY.

FOR USE ON:

COPPER: #8 - 1000 kcmil	TERMINALS: YA, YA-L
COPPER FLEX: #8 - 777.7 kcmil FLEX (750 NOMINAL)	SPLICES: YS, YS-L, YS-T, Y-R
ALUMINUM: #8 - 750 kcmil	TERMINALS: YA-FX, YA-V
ALUMINUM: #8 - 750 kcmil	TERMINALS: YA-L-FX
	SPLICES: YS, YSV-FXB
	TERMINALS: YA-A, YA-A-TN
	SPLICES: YS-A
	HYPLUG AYP, AYPO



SCALE 1:1

TO ORDER BURNDY® PRODUCTS CALL

UNITED STATES:
1-800-346-4175 (LONDONDERRY, NH)

CANADA:
1-800-361-6975 (QUEBEC)
1-800-387-6487 (ALL OTHER PROVINCES)

FOR PRODUCT INFO: <http://www.burndy.com>

PAT81K2 KIT ASSEMBLY

ITEM NO: SEE TABLE SHEET 2
 CAT. NO: SEE TABLE SHEET 2

DRAWN BY: B. AUGER 07/01/2021
 CHECKER: L. BROWN 07/01/2021
 DSN APPVL: L. BROWN 07/01/2021
 MFG APPVL: S. BURNS 07/01/2021
 QA APPVL: G. REDFIELD 07/01/2021
 MKT APPVL: M. GUARRERA 07/01/2021



PROD FAM: TOOLS, BATTERY	SCALE: 7:32	DRAWING NO	REV
PROJECT #: NPD-03146	SIZE	50123580	A
DOCUMENT TYPE: Sales	B	SHEET 1 OF 2	
REL LEVEL: Released			

REV: CREO 05/20/21

EXAMPLE CATALOG NUMBER: PAT81K2U03A2




REV.	DATE	DESCRIPTION	ECO	BY	C'H'K.
A	2021-07-01 00:00:00 EDT	NEW DRAWING	210614009162	BAU	LNB

FIXED VALUE

PAT81K2 U 03 A 2

HEAD TYPE					BATTERY					CHARGER					CASE				
CODE	ITEM NUMBER	CATALOG NO.	QTY	DESCRIPTION	CODE	ITEM NUMBER	CATALOG NO.	QTY	DESCRIPTION	CODE	ITEM NUMBER	CATALOG NO.	QTY	DESCRIPTION	CODE	ITEM NUMBER	CATALOG NO.	QTY	DESCRIPTION
U	50122460	PAT81K2TB	1	4 POINT DIELESS TOOL BODY	00	--	--	0	NONE	0	--	--	0	NONE	0	--	--	0	NONE
					03	30001565	BAT18VLI	2	3 AH MAKITA LI	A	30001520	PATCHGRLI	1	AC	2	30003605	PATCASELI	1	HARD
					05	50056611	BAT18V5AHLI	2	5 AH MAKITA LI	D	30001522	PATCHGRLIDC	1	DC	3	50099346	PATPROBAG	1	NYLON

REV: CREO 05/20/21

TO ORDER BURNDY® PRODUCTS CALL		PAT81K2 KIT ASSEMBLY															
UNITED STATES: 1-800-346-4175 (LONDONDERRY, NH)		ITEM NO: SEE TABLE															
CANADA: 1-800-361-6975 (QUEBEC) 1-800-387-6487 (ALL OTHER PROVINCES)		CAT. NO: SEE TABLE															
FOR PRODUCT INFO: http://www.burndy.com		<table border="1"> <tr> <td>DRAWN BY: B. AUGER</td> <td>07/01/2021</td> <td rowspan="6">  </td> <td rowspan="6">SCALE: 7:32</td> </tr> <tr> <td>CHECKER: L. BROWN</td> <td>07/01/2021</td> </tr> <tr> <td>DSN APPVL: L. BROWN</td> <td>07/01/2021</td> </tr> <tr> <td>MFG APPVL: S. BURNS</td> <td>07/01/2021</td> </tr> <tr> <td>QA APPVL: G. REDFIELD</td> <td>07/01/2021</td> </tr> <tr> <td>MKT APPVL: M. GUARRERA</td> <td>07/01/2021</td> </tr> </table>		DRAWN BY: B. AUGER	07/01/2021		SCALE: 7:32	CHECKER: L. BROWN	07/01/2021	DSN APPVL: L. BROWN	07/01/2021	MFG APPVL: S. BURNS	07/01/2021	QA APPVL: G. REDFIELD	07/01/2021	MKT APPVL: M. GUARRERA	07/01/2021
DRAWN BY: B. AUGER	07/01/2021		SCALE: 7:32														
CHECKER: L. BROWN	07/01/2021																
DSN APPVL: L. BROWN	07/01/2021																
MFG APPVL: S. BURNS	07/01/2021																
QA APPVL: G. REDFIELD	07/01/2021																
MKT APPVL: M. GUARRERA	07/01/2021																
PROD FAM: TOOLS, BATTERY		DRAWING NO	REV														
PROJECT #: NPD-03146	SIZE	50123580	A														
DOCUMENT TYPE: Sales	B	SHEET 2 OF 2															
REL LEVEL: Released																	