

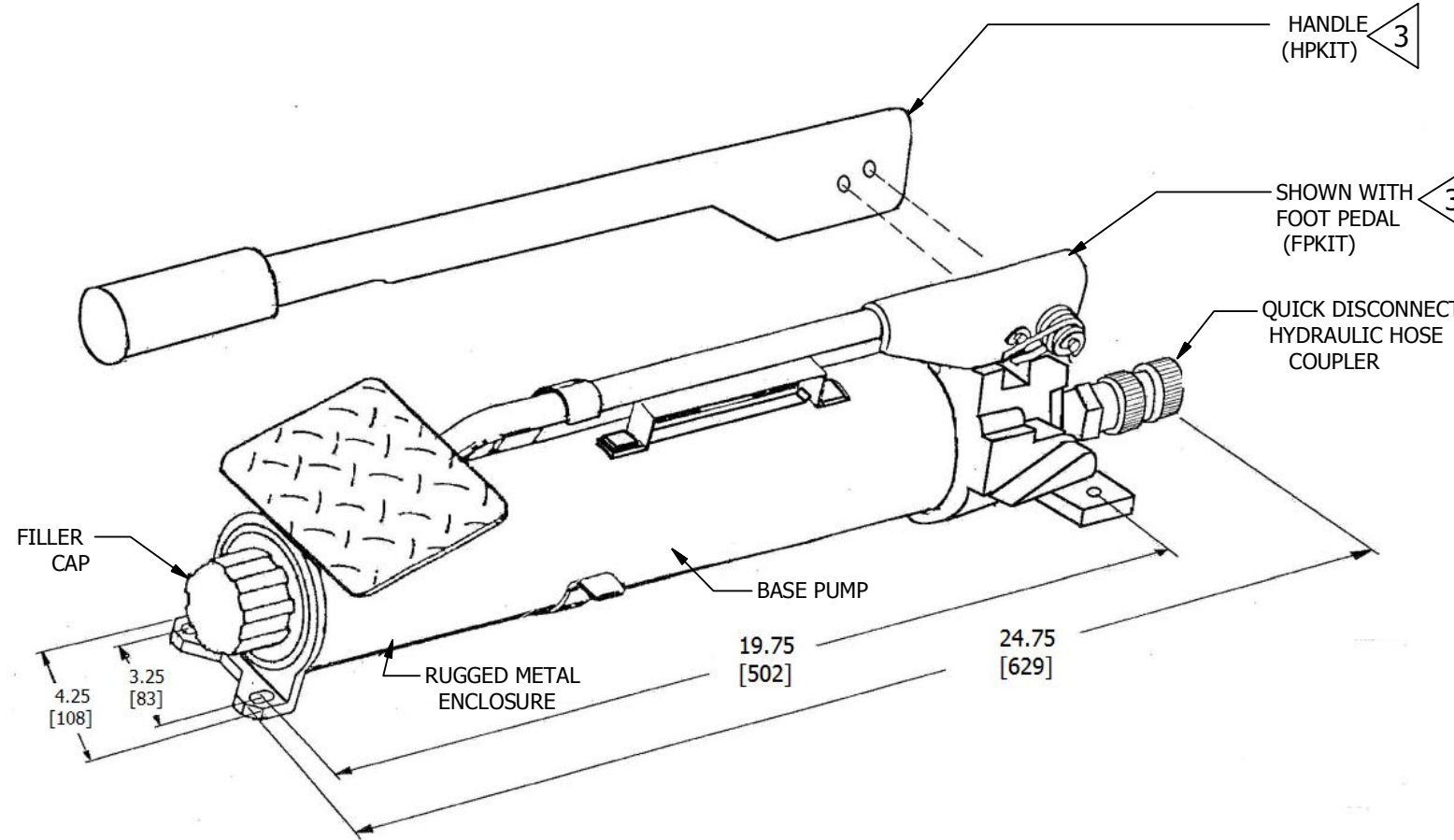
HYDRAULIC FOOT PUMP		
CAT. NO.	UNIT TYPE	OUTPUT PRESSURE (PSI)
FP10	FOOT PUMP	10.000
FP8	FOOT PUMP	8.800
FP6	FOOT PUMP	6.000

HYDRAULIC HAND PUMP		
CAT. NO.	UNIT TYPE	OUTPUT PRESSURE (PSI)
HP10	HAND PUMP	10.000
HP8	HAND PUMP	8.800
HP6	HAND PUMP	6.000

REV	DATE	DESCRIPTION	ECO	BY	C'H'K.
A	11/05/2014	NEW SALES DRAWING CREATED	37924	S.P.R	M.B

FEATURES:

1. TWO STAGE PUMP.
2. DURABLE LONG LIFE EXPECTANCY
3. STURDY, WIDE STANCE MOUNTING PADS
4. LIFTING HANDLES
5. PREFILLED WITH BURNDY ALFLUID™.



NOTES:

1. CATALOG NUMBERS INCLUDE FOOT PEDAL (KIT NUMBER "FPKIT" INCLUDES ALL HARDWARE REQUIRED) INSTALLED.
2. CATALOG NUMBERS INCLUDE HANDLE (KIT NUMBER "HPKIT" INCLUDES ALL HARDWARE REQUIRED) INSTALLED.
3. "FOOT PEDAL" KIT AND "HANDLE" KIT ARE INTERCHANGEABLE ON BASE PUMP.
4. RESERVOIR CAPACITY : 65CU-IN (1.12 QUARTS)
5. LENGTH:"24.75"[629] (INCLUDING COUPLER)
6. WIDTH: 5.0"[127] MAX
7. DRY WEIGHT 18 LBS (HANDLE PUMP) 19 LBS (FOOT PUMP)
8. OUTPUT PRESSURE SEE TABLE
9. DIMENSIONS IN BRACKETS [] ARE IN MILLIMETERS ROUNDED OFF TO THE NEAREST MILLIMETER, UNLESS OTHERWISE SPECIFIED AND ARE FOR REFERENCE ONLY.
10. ACCESSORIES:
 CAT. NO. BP10PADKIT
 TWO ALUMINIUM BASE PAD EXTENSIONS 6.50"[165] LG. X 2.50"[64] WIDE X .38"[10] THICK. USED FOR ADDED STABILITY ON ROUGH OR UN-EVEN TERRAIN APPLICATIONS. STABILIZING PADS SUPPLIED WITH MOUNTING HARDWARE.

TO ORDER BURNDY® PRODUCTS CALL		HYDRAULIC HAND AND FOOT PUMP	
UNITED STATES 1-800-346-4175 (LONDONDERRY, NH)		ITEM NO: --	
CANADA: 1-800-361-6975 (QUEBEC) 1-800-387-6487 (ALL OTHER PROVINCES)		CAT. NO: FP SERIES/HP SERIES	
FOR PRODUCT INFO: http://www.burndy.com		DRAWN BY: J.S.G. 02/21/1992	
		CHECKER: K.HENRY 02/21/1992	
		DSN APRVL: J.L. 02/21/1992	
		MFG APRVL: --	
		QA APRVL: AL 02/21/1992	
		MKT APRVL: MB 02/21/1992	
		PROJ FAM: --	
		DRAWING NO	
		PROJECT #: --	
		SIZE	
		DOCUMENT TYPE: SALES	
		REL LEVEL: Released	
		SE207590	
		SHEET 1 OF 1	
		REV	
		A	