

REV.	DATE	DESCRIPTION	ECO	BY	C'K'D.
A	09/30/10	UPDATE DRAWING PER M/U.	22239	RB	LB

MD7-34 POSI-PRESS HYTOOL™ (SERIES)

- * REINFORCED POLYMER COMPOSITE HANDLES.
- * HANDLES ARE U.V. STABILIZED.
- * COMFORT GRIP DESIGN WITH CHECKERED SURFACE AND ERGONOMIC HANDLE ENDS PROVIDES A POSITIVE, SLIP-FREE GRIP.
- * BLANK INSERT PROVIDED FOR PERSONALIZING TOOL FOR IDENTIFICATION AND INVENTORY PURPOSES.
- * SPRING-ACTION DIE BUTTONS AND PERMANENT MODIFIED D3 GROOVE ACCOMMODATES ALL BURNDY "W" AND "X" DIES FOR A WIDE RANGE OF APPLICATIONS.
- * HIGH STRENGTH, STAINLESS STEEL PINS RESIST CORROSION AND HELP PROVIDE LONG TOOL LIFE.
- * NON-ADJUSTABLE TOOL ENSURES THAT CONNECTORS INSTALLED WITH THE MD7 ARE PROPERLY CRIMPED.
- * THE VISUAL WEAR INDICATOR ALLOWS THE USER TO QUICKLY DETERMINE THE TOOLS' CONDITION AND INDICATES WHEN THE TOOL IS NO LONGER CAPABLE OF MAKING GOOD CRIMPS.
- * PATENTS PENDING.

SPECIFICATIONS

WEIGHT: 7 LBS
 JAWS: FORGED STEEL, BLACK OXIDE FINISH
 HANDLES: REINFORCED POLYMER COMPOSITE
 BEARINGS: OILESS BUSHING INSERTS
 OUTPUT FORCE : 9000 LBS. AT 60 LBS. HANDLE FORCE

MD7-34 TOOL VARIATIONS:

- MD7-34R FULL STROKE RATCHET TOOL ACCOMMODATES #8-500Kcmil Cu HYDENT™(DIES ORDERED SEPARATELY)
- MD7-34RWC FULL STROKE RATCHET TOOL WITH METAL CASE (DIES ORDERED SEPARATELY)
- MD7-34RKIT1 FULL STROKE RATCHET TOOL WITH METAL CASE AND SET OF W-VT DIES FROM #8-500Kcmil Cu HYDENT™
- MD7-34 TOOL WITHOUT RATCHET MECHANISM ACCOMMODATES #8-500Kcmil (DIES ORDERED SEPARATELY)
- MD7-34WC NON RATCHET TOOL WITH METAL CASE (DIES ORDERED SEPARATELY)
- MD7-34KIT1 NON RATCHET TOOL WITH METAL CASE AND SET OF W-VT DIES FROM #8-500Kcmil Cu HYDENT™

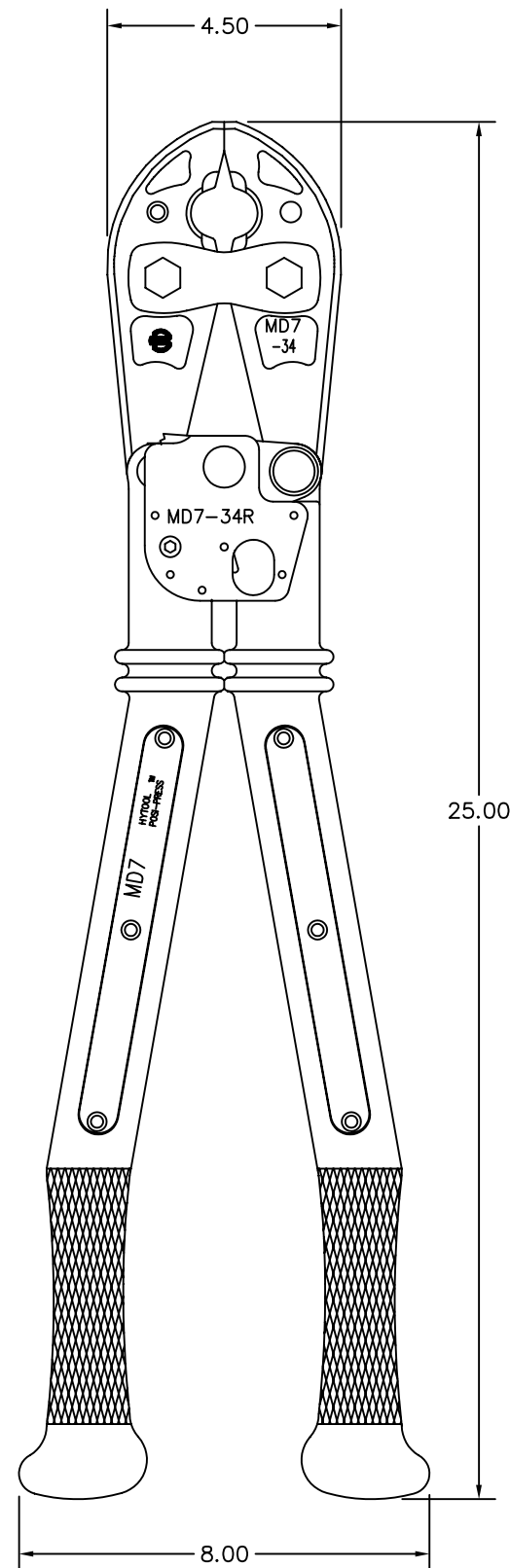
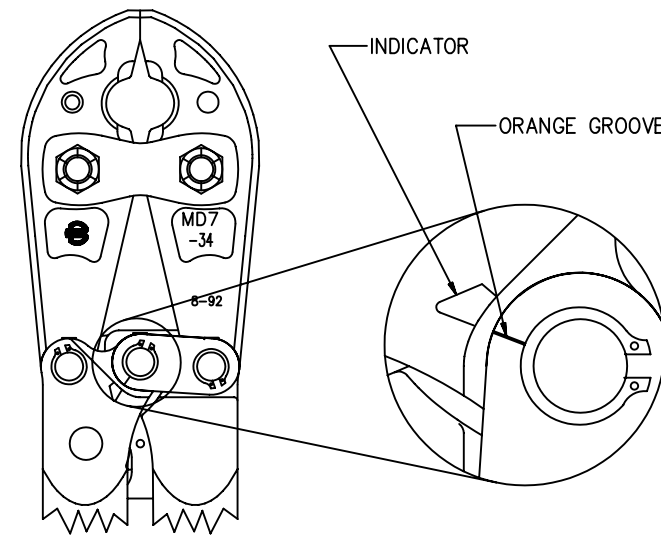


FIGURE 1
MD7-34R POSI-PRESS HYTOOL™



THIS DEVICE IS DESIGNED TO INDICATE TO THE USER THAT THE MD7 SERIES HYTOOL™ IS NO LONGER CRIMPING WITHIN SPECIFICATION. FIRST OPEN THEN CLOSE THE TOOL SO THAT THE TIPS OF THE JAWS JUST TOUCH EACH OTHER. THE TOOL CAN BE CHECKED FOR WEAR BY THE POSITION OF THE ORANGE GROOVE ON THE LINK. IF THE MARK IS WITHIN THE LIMITS OF THE CORRESPONDING ORANGE INDICATOR, THE TOOL IS WITHIN SPECIFICATION. IF THE MARK IS OUTSIDE OF THE INDICATOR AREA, THE HANDLES ARE WORN AND WILL NOT PROVIDE PROPER CRIMPS. THE TOOL SHOULD THEN BE SENT TO THE BURNDY FACTORY FOR HANDLE REPLACEMENT AND CALIBRATION. CALL 1-800-426-8720 FOR DETAILS.

NOTE: ALL DIES SHOULD BE REMOVED FROM THE TOOL FIRST.

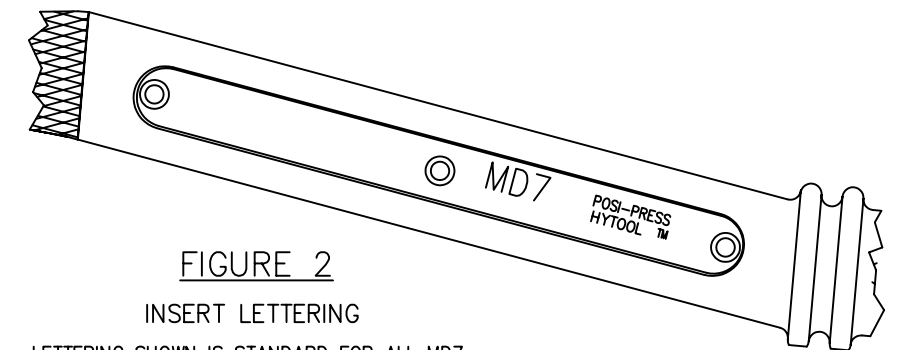


FIGURE 2
INSERT LETTERING
LETTERING SHOWN IS STANDARD FOR ALL MD7 SERIES HYTOOLS.™ FULL CATALOG NUMBER IS IDENTIFIED ON THE JAWS OF THE TOOL. A BLANK INSERT IS PROVIDED AS A LABELING SPACE FOR CUSTOMER INFORMATION.

TO ORDER BURNDY® PRODUCTS CALL		MD734R POSI-PRESS HYTOOL™	
UNITED STATES: 1-800-346-4175 (LONDONDERRY, NH)		ITEM NO: ---	CAT NO: MD7 (SERIES)
CANADA: 1-800-361-6975 (QUEBEC) 1-800-387-6487 (ALL OTHER PROVINCES)		SCALE: N/A	BURNDY
FOR PRODUCT INFO: http://www.burndy.com		DRAWN BY: A. MONTMINY 04/08/94	
		CHECKER: N/A	DRAWING NO: SE209552
		DSN APPVL: G. SCHRADER 04/07/94	REV: A
		MFG APPVL: ---	SHEET 1 OF 1
		QC APPVL: D. VARIO 04/07/95	
		MKT APPVL: T. NELSON 04/07/95	
		PROD FAM: ---	
		PROJECT #: ---	
		DOCUMENT TYPE: Sales	
		REL LEVEL: AutoCAD	