

MD7 POSI - PRESS HYTOOL™ (SERIES)

1. REINFORCED POLYMER COMPOSITE HANDLES.
2. HANDLES ARE U.V. STABILIZED.
3. COMFORT GRIP DESIGN WITH CHECKERED SURFACE AND ERGONOMIC HANDLE ENDS PROVIDES A POSITIVE, SLIP - FREE GRIP.
4. BLANK INSERT PROVIDED FOR PERSONALIZING TOOL FOR IDENTIFICATION AND INVENTORY PURPOSES.
5. SPRING - ACTION DIE BUTTONS AND PERMANENT D3 GROOVE ACCOMODATES ALL BURNDY "W" AND "X" DIES FOR A WIDE RANGE OF APPLICATIONS.
6. ELECTROLESS NICKEL PLATED JAWS AND JAW LINKS PROVIDE ENHANCED CORROSION RESISTANCE.
7. HIGH STRENGTH, STAINLESS STEEL PINS RESIST CORROSION AND HELP PROVIDE LONG TOOL LIFE.
8. NON-ADJUSTABLE TOOL ENSURES THAT CONNECTOR INSTALLED WITH THE MD7 ARE PROPERLY CRIMPED.
9. THE VISUAL WEAR INDICATOR ALLOWS THE USER TO QUICKLY DETERMINE THE TOOLS' CONDITION AND INDICATES WHEN THE TOOL IS NO LONGER CAPABLE OF MAKING GOOD CRIMPS.
10. PATENTS PENDING.

ACCESSORIES

CAT NO.	QTY	DESCRIPTION
MD6CP1	1	PROTECTIVE VINYL JAW COVERS FOR MD7 AND MD78
PT6744	1	MD76 MOLDED, ONE - PIECE COVER
PT4946	1	COMPACT STEEL DIE CASE (HOLDS 12 DIE SETS)
PT4925	1	CANVAS BAG

NOTES:

1. MD7 POSI-PRESS HYTOOL™ SUPPLIED WITH STANDARD 'BG' AND 'D3' DIES.
2. MD76 POSI-PRESS HYTOOL™ (SNUBNOSE) SUPPLIED WITH STANDARD 'D3' DIE.
3. MD78 POSI-PRESS HYTOOL™ SUPPLIED WITH STANDARD 'O' AND 'D3' DIES. THIS VERSION IS SHOWN IN FIGURE 1.

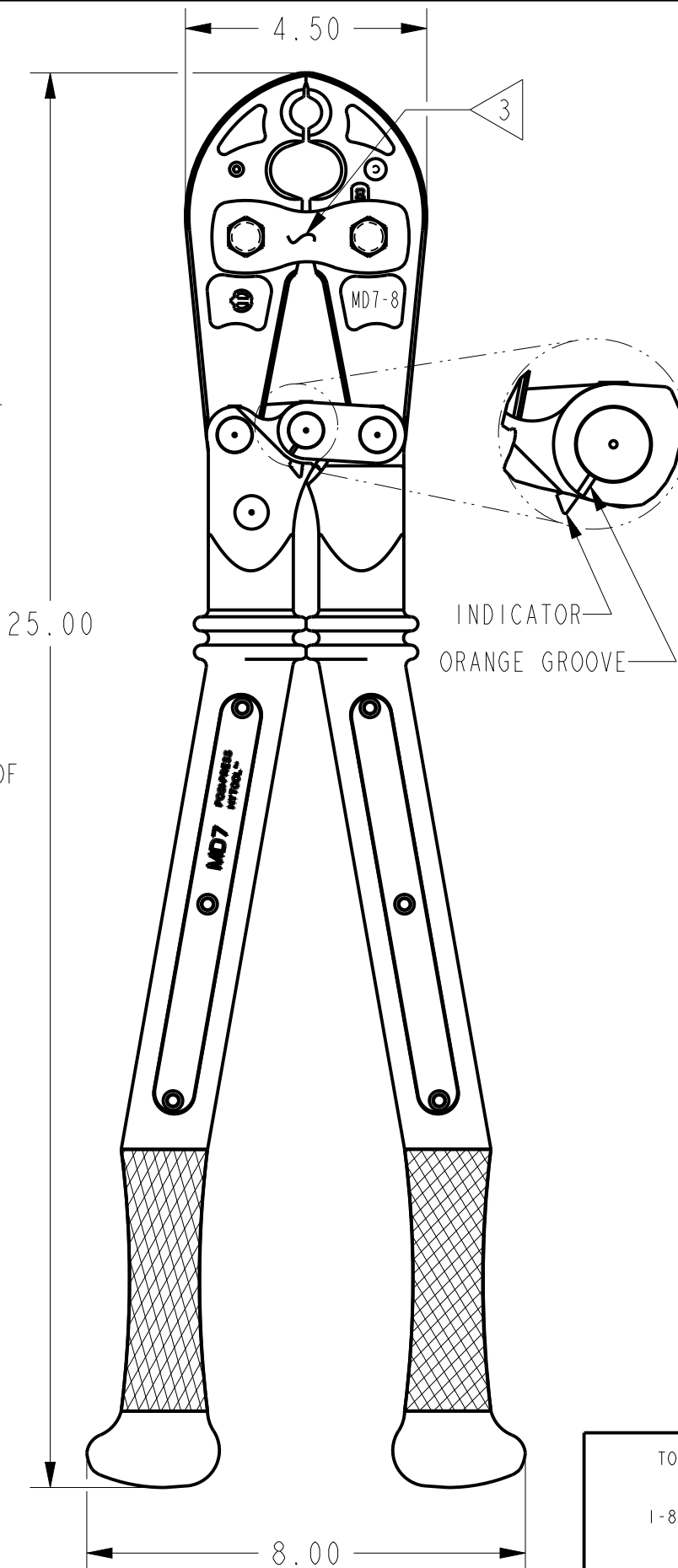


FIGURE 1
MD78 POSI-PRESS HYTOOL™

REV.	DATE	DESCRIPTION	ECO	BY	C'H'K.
B	11/24/2011 00:00:00 AM	REDRAW IN PRO-E	26232	KS	JG

THIS DEVICE IS DESIGNED TO INDICATE TO THE USER THAT THE MD7 SERIES HYTOOL IS NO LONGER CRIMPING WITHIN SPECIFICATION. FIRST OPEN THEN CLOSE THE TOOL SO THAT THE TIPS OF THE JAWS JUST TOUCH EACH OTHER. THE TOOL CAN BE CHECKED FOR WEAR BY THE POSITION OF THE ORANGE GROOVE ON THE LINK. IF THE MARK IS WITHIN THE LIMITS OF THE CORRESPONDING ORANGE INDICATOR, THE TOOL IS WITHIN SPECIFICATION. IF THE MARK IS OUTSIDE OF THE INDICATOR AREA, THE HANDLES ARE WORN AND WILL NOT PROVIDE PROPER CRIMPS. THE TOOL SHOULD THEN BE SENT TO THE BURNDY FACTORY FOR HANDLE REPLACEMENT AND CALIBRATION. CALL 1-800-426-8720 FOR DETAILS.

NOTE:
ALL DIES SHOULD BE REMOVED FROM THE TOOL FIRST.

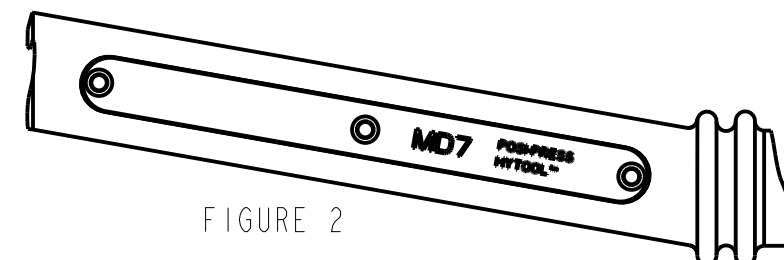


FIGURE 2
INSERT LETTERING

LETTERING SHOWN IS STANDARD FOR ALL MD7 SERIES HYTOOLS™. FULL CATALOG NUMBER IS IDENTIFIED ON THE JAWS OF THE TOOL. A BLANK INSERT IS PROVIDED AS A LABELING SPACE FOR CUSTOMER INFORMATION.

SPECIFICATIONS

- WEIGHT: 7 LBS
- JAWS: FORGED STEEL, NICKEL PLATED
- HANDLES: REINFORCED POLYMER COMPOSITE
- BEARINGS: OILESS BUSHING INSERTS
- OUTPUT FORCE: 9000 LBS. AT 60 LBS. HANDLE FORCE

TO ORDER BURNDY® PRODUCTS CALL
UNITED STATES:
1-800-346-4175 (LONDONDERRY, NH)
CANADA:
1-800-361-6975 (QUEBEC)
1-800-387-6487 (ALL OTHER PROVINCES)
FOR PRODUCT INFO: <http://www.burndy.com>

MD7 POSI - PRESS HYTOOL™	
ITEM NO: --	
CAT. NO: MD7 (SERIES)	
DRAWN BY: C CHADBOURNE 02/14/92	
CHECKER: M LAROCHELLE 10/15/92	
DSN APPVL: C CHADBOURNE 10/15/92	
MFG APPVL: --	
QA APPVL: A LLOYD 10/16/92	
MKT APPVL: M BLAKE 10/15/92	
PROD FAM: Tools_Mechanical/MD6	DRAWING NO
PROJECT #: --	SIZE
DOCUMENT TYPE: Sales	B
REL LEVEL: Released	B