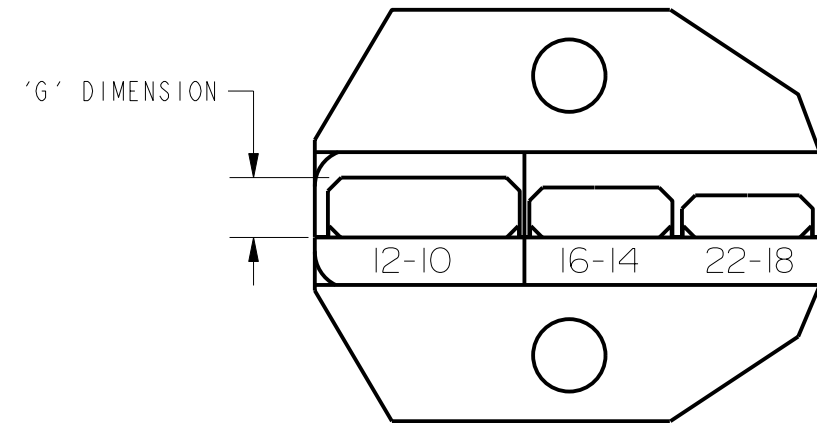
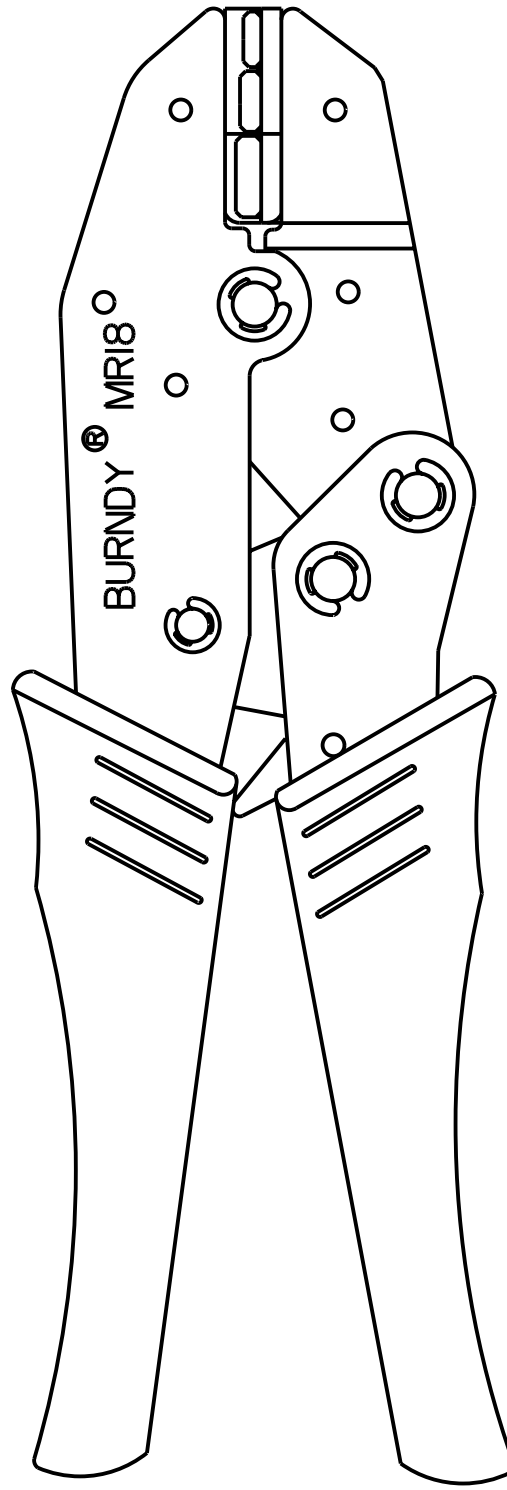


REV.	DATE	DESCRIPTION	ECO	BY	C'H'K.
A	2/26/2010 12:00:00 AM	NEW SALES DRAWING RELEASE FOR MR15, MR18 & MR20 HYTOOLS	20271	JG	MR

FOR USE ON			
MR15 VINYL INSULATED TERMINALS AND SPLICES (WIRE RANGE 22-10 AWG)			
VINYL TERMINALS		VINYL SPLICES	
TP	BA	SP	BS
TP-F	BA-EF		
TP-Z	BA-EZ		
TP-LF	BA-EL		
MR18 NYLON INSULATED TERMINALS AND SPLICES			
NYLON TERMINALS		NYLON SPLICES	
TN		SN	
TN-F		SNM	
YAES		YSE-HN	
YAES-F		YSES	
MR20 UNINSULATED TERMINALS AND SPLICES			
TERMINALS		SPLICES	
T	YAD-F	YSV	
T-F	YAV-H	YSV-H	
YAV	YAV-H-F		
YAD			
YAV-T-F			

" G " DIMENSIONS		
MR15		
GROOVE		
12-10 YELLOW	16-14 BLUE	22-18 RED
.134 .139	.105 .109	.089 .083
MR18		
GROOVE		
12-10 YELLOW	16-14 BLUE	22-18 RED
.160 .164	.107 .111	.090 .095
MR20		
GROOVE		
12-10	22-14	
.101 .109	.056 .072	

GAGE INFORMATION		
CATALOG NUMBER	DIE SET CATALOG NUMBER	GROOVE DESIGNATION
PG-401-1	MR15	RED
PG-401-2	MR15	BLUE
PG-401-3	MR15	YELLOW
PG-402-1	MR18	RED
PG-402-2	MR18	BLUE
PG-402-3	MR18	YELLOW
PG-403-1R	MR20	10-12
PG-403-2R	MR20	14-12



NOTES:

1. THIS DRAWING TO BE INTERPRETED PER ASME Y14.5M - 1994.
2. CONDUCTOR CRIMPS ONLY.

TO ORDER BURNDY® PRODUCTS CALL
 UNITED STATES:
 1-800-346-4175 (LONDONDERRY, NH)
 CANADA:
 1-800-361-6975 (QUEBEC)
 1-800-387-6487 (ALL OTHER PROVINCES)
 FOR PRODUCT INFO: <http://www.burndy.com>

MR TOOLS		ITEM NO: N/A
CAT. NO: MR15, MR18 & MR 20		
DRAWN BY: S JEYAGANESH 02/26/2010		
CHECKER: R ROMAN 03/01/2010		
DSN APPVL: R ROMAN 03/01/2010		
MFG APPVL: --		
QA APPVL: J BRODEUR 03/02/2010		
MKT APPVL: R POIRIER 03/02/2010		
PROJECT #: --	SIZE	DRAWING NO
DOCUMENT TYPE: Sales	B	10113613
REL LEVEL: Released		SHEET 1 OF 1
		SCALE: 7:8
		REV
		A

REV: PE0200