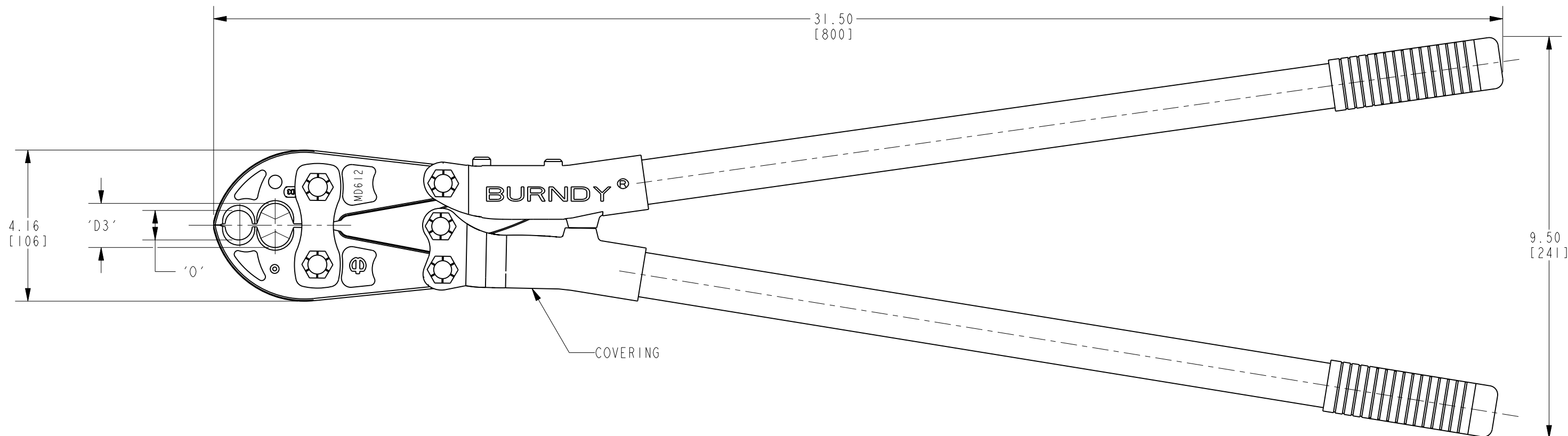
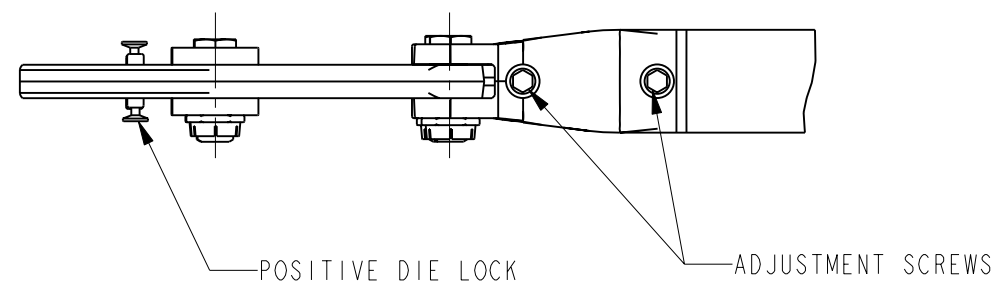


ACCESSORIES

CATALOG NO.	QTY	DESCRIPTION
PT4925	1	CANVAS CARRYING CASE BAG WITH DIE POCKETS
MD6CPI	1	HEAD COVER KIT - PROTECTS EDGES OF JAWS
PT4946	1	DIE CARRYING CASE
PT49521	1	TOOL AND DIES CARRYING CASE

GROOVE DIMENSIONS	
'D3' GROOVE	1.228 / 1.244 [31 / 32]
'O' GROOVE	.818 / .836 [21 / 21]

REV.	DATE	DESCRIPTION	ECO	BY	C'H'K.
A	06/14/2012 00:00:00 AM	CREATE SALES DRAWING FOR MD612	27558	BD	MB



NOTES:

- DIMENSIONS IN BRACKET [] DENOTES METRIC UNITS [SI UNITS] AND ARE ROUNDED TO THE NEAREST WHOLE NUMBER UNLESS OTHERWISE SPECIFIED THESE UNITS SHALL BE USED FOR REFERENCE ONLY.
- SPECIFICATIONS:
 WEIGHT - 8 LBS. 4 OZ.
 JAWS - FORGED STEEL
 FRAMES - HEAT TREATED ALUMINUM
 HANDLES - FIBERGLASS WITH CUSHIONED GRIPS
 COVERING - PVC HEATSHRINK
 BEARINGS - OILLESS BUSHING INSERT, PTFE
 5 YEAR WARRANTY

TO ORDER BURNDY® PRODUCTS CALL
 UNITED STATES:
 1-800-346-4175 (LONDONDERRY, NH)
 CANADA:
 1-800-361-6975 (QUEBEC)
 1-800-387-6487 (ALL OTHER PROVINCES)
 FOR PRODUCT INFO: <http://www.burndy.com>

HYTOOL™	
ITEM NO: 464123	
CAT. NO: MD612	
DRAWN BY: R. PERREAU 09/17/93	
CHECKER: R. ROBICHEAU 09/22/93	
DSN APPVL: C. CHADBOURNE 09/24/93	
MFG APPVL: --	
QA APPVL: A. LLOYD 02/03/94	
MKT APPVL: M. BLAKE 09/27/93	
PROD FAM: --	SCALE: 1:1
PROJECT #: --	DRAWING NO
DOCUMENT TYPE: Sales	SD208717-01
REL LEVEL: Released	SHEET 1 OF 1



REV: PE0200