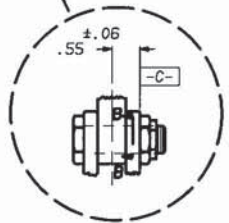
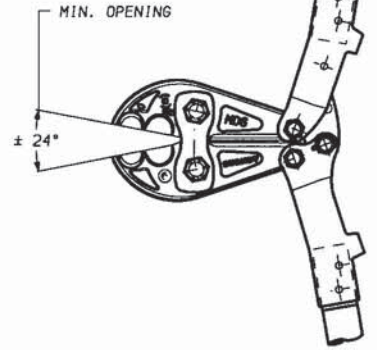
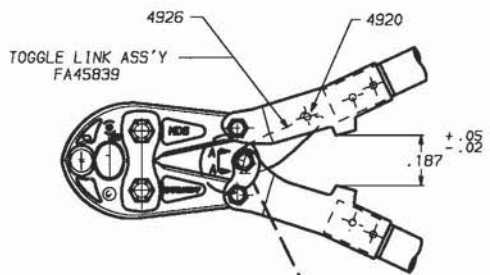
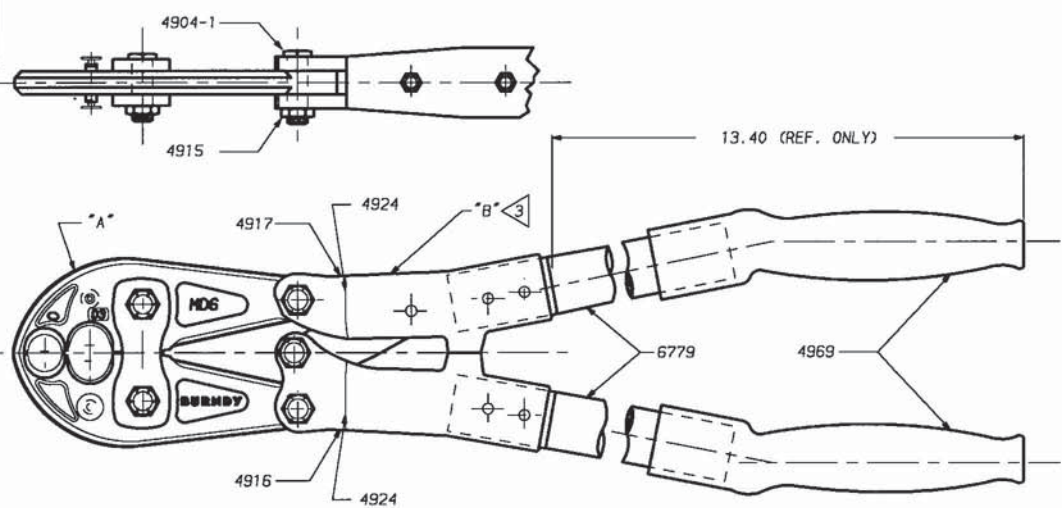


SE78008			REV.	DATE	DESCRIPTION	BY	C.K'D.
CATALOG NO.	JAW ASSEMBLY "A"	COMPLETE HANDLE ASS'Y "B"	4	3/2/98	REVISION TO CAD PER ECO (3877)	KRB	DB

MD6-14	PT4911 (MD6)	#6792
MD6-28	PT6760-28 (MD6-B)	
MD6-15	PT4911 (MD6)	
MD6-36	PT6752-1 (MD6-B)	



NOTES:

1. THESE TOOLS ACCOMMODATE DIES WITH PREFIX LETTER "W".
2. TO ORDER HANDLE ASS'Y. SPECIFY INDIVIDUAL PART NO.'S. WITH NOTE "ASSEMBLED".

▶ COMPLETE HANDLE ASS'Y. INCLUDES BENT GRIPS, FIBERGLASS TUBES, ADJUSTABLE FRAME, AND NON-ADJUSTABLE FRAME.

HYTOOL™			
CAT NO. MD6- (SEE TABLE)	SCALE	R/S	
DRWN. S. ZANDO 10/7/75	CHECKED. S. ZANDO	10/7/75	
DSGN APPL. BAUER 10/7/75	MFG APPL.		
Q.A. APPL.	MKTG APPL. N/A		
CAD FILE: SE78008-01_4	PM REF. N/A		
	MOL REF. N/A		
	PROJECT		
DRAWING NO. SE78008		REV	4
SHEET 1 of 1			

REV. 0611995