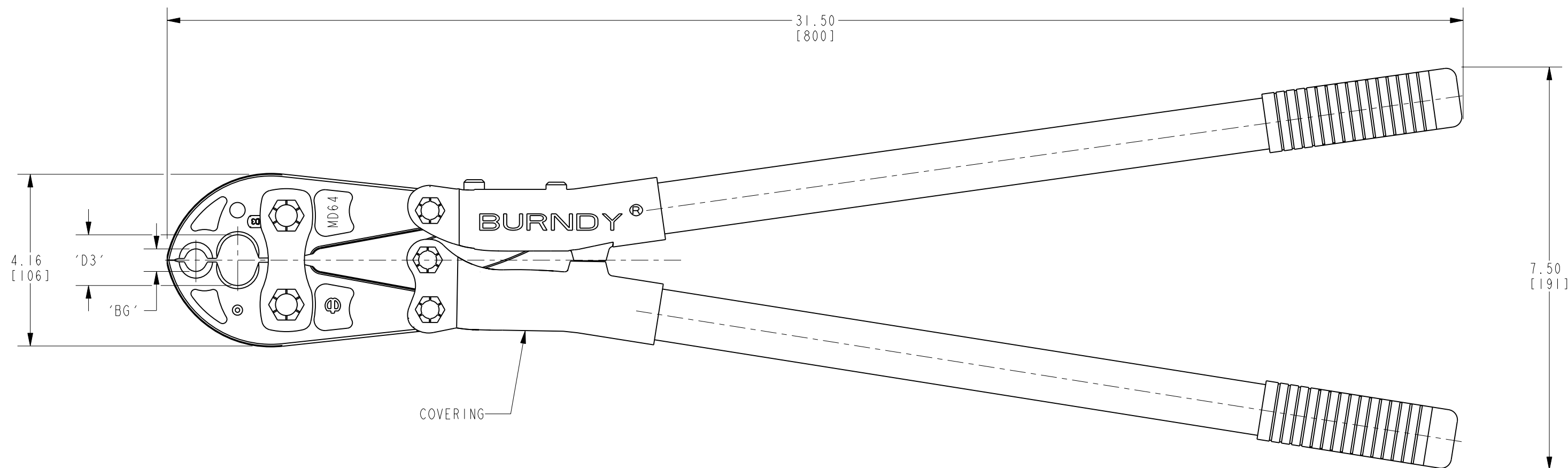
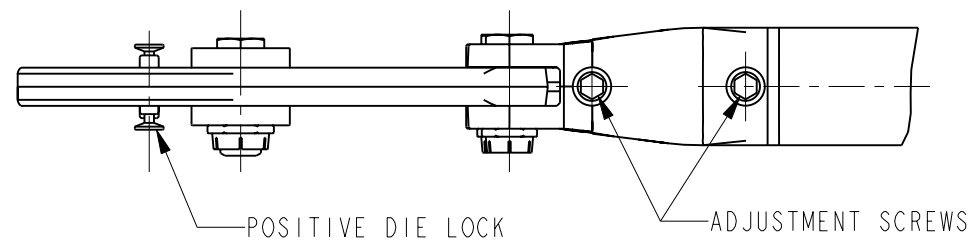


ACCESSORIES		
CATALOG NO.	QTY	DESCRIPTION
PT4925	1	CANVAS CARRYING CASE BAG WITH DIE POCKETS
MD6CPI	1	HEAD COVER KIT - PROTECTS EDGES OF JAWS
PT4946	1	DIE CARRYING CASE. HOLDS 12 DIE SETS
PT49521	1	TOOL AND DIE STEEL CARRYING CASE

GROOVE DIMENSIONS	
'D3' GROOVE	1.228 / 1.244 [31 / 32]
'BG' GROOVE	.554 / .542 [14 / 14]

REV.	DATE	DESCRIPTION	ECO	BY	C'H'K.
A	06/15/2012 00:00:00 AM	CREATE SALES DRAWING FOR MD64	27558	BD	MB



NOTES:

1 DIMENSIONS IN BRACKET [] DENOTES METRIC UNITS [SI UNITS] AND ARE ROUNDED TO THE NEAREST WHOLE NUMBER UNLESS OTHERWISE SPECIFIED THESE UNITS SHALL BE USED FOR REFERENCE ONLY.

SPECIFICATIONS:

WEIGHT - 8LBS. 4 OZ.
 JAWS - FORGED STEEL
 FRAMES - HEAT TREATED ALUMINUM
 HANDLES - FIBERGLASS WITH CUSHIONED GRIPS.
 COVERING - PVC HEATSHRINK
 BEARINGS - OILLESS BUSHING INSERT, PTFE
 5 YEAR WARRANTY

TO ORDER BURNDY® PRODUCTS CALL
 UNITED STATES:
 1-800-346-4175 (LONDONDERRY, NH)
 CANADA:
 1-800-361-6975 (QUEBEC)
 1-800-387-6487 (ALL OTHER PROVINCES)
 FOR PRODUCT INFO: <http://www.burndy.com>

HYTOOL™	
ITEM NO: 464640	
CAT. NO: MD64	
DRAWN BY: R. PERREAU 01/24/94	
CHECKER: J. MICHAUD 01/27/94	
DSN APPVL: C. CHADBOURNE 02/04/94	
MFG APPVL: --	
QA APPVL: A. LLOYD 02/03/94	
MKT APPVL: M. BLAKE 02/02/94	
PROD FAM: --	
PROJECT #: --	
DOCUMENT TYPE: Sales	
REL LEVEL: Released	
SCALE: 1:1	
DRAWING NO	REV
SD208984-01	A
SIZE B	SHEET 1 OF 1

REV: PE0200