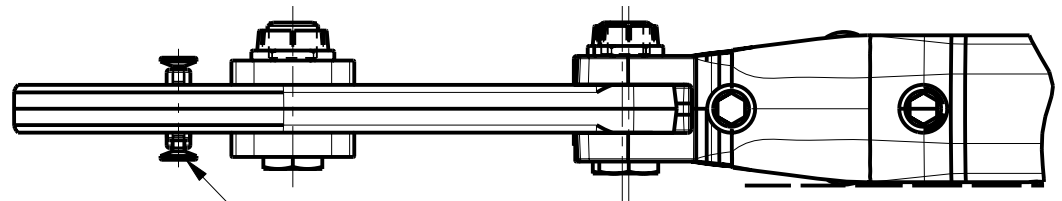
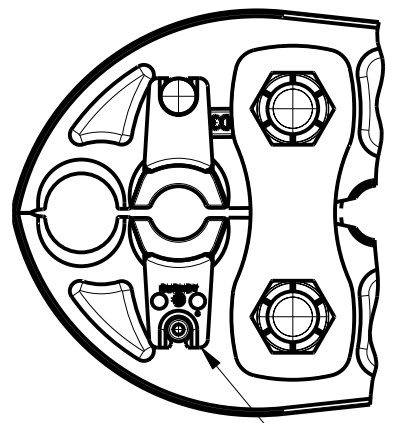
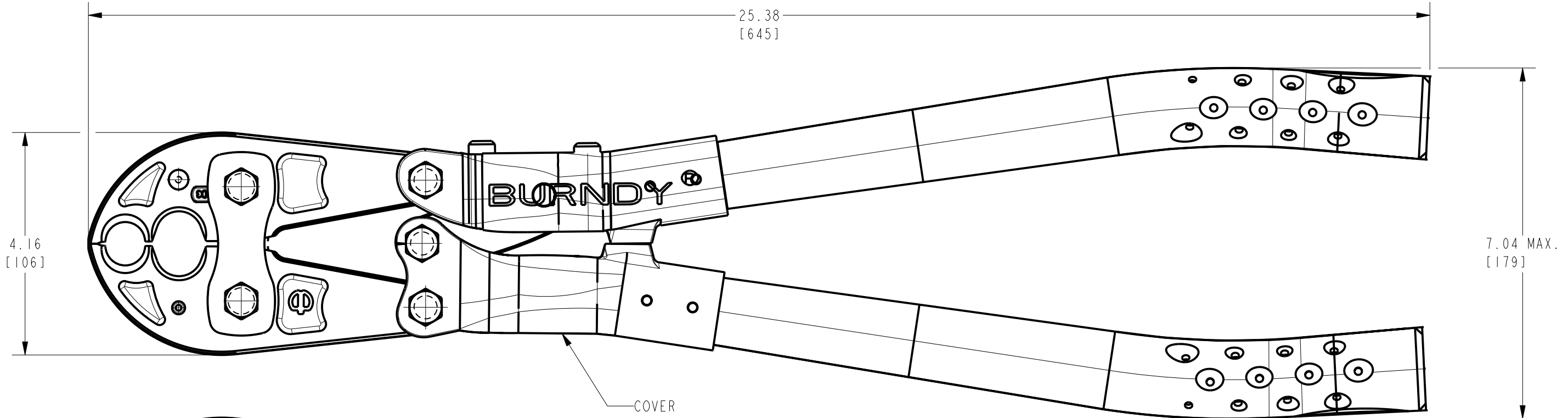


REV.	DATE	DESCRIPTION	ECO	BY	C'H'K.
A	02/20/2013 00:00:00 AM	DRAWING REDRAW PROCESS	30565	DD	MB



POSITIVE DIE LOCK



TYPICAL DIE INSERT  
(NOT INCLUDED IN CAT. NO.)

SPECIFICATIONS:

- WEIGHT: 6 LBS
- JAWS: FORGED STEEL
- FRAMES: HIGH STRENGTH CAST ALUMINUM
- HANDLES: WOOD
- COVER: HEAT SHRINK POLYVINYL CHLORIDE
- BEARINGS: OILESS BUSHING INSERT
- FORCE DEVELOPED: 9000 LBS

REV: PE0200

NOTE:  
1. DIMENSIONS IN BRACKETS [ ] ARE IN MILLIMETERS, ROUNDED OFF TO THE NEAREST MILLIMETER. UNLESS OTHERWISE NOTED. METRIC DIMENSIONS ARE FOR REFERENCE ONLY

TO ORDER BURNDY® PRODUCTS CALL  
 UNITED STATES:  
 1-800-346-4175 (LONDONDERRY, NH)  
 CANADA:  
 1-800-361-6975 (QUEBEC)  
 1-800-387-6487 (ALL OTHER PROVINCES)  
 FOR PRODUCT INFO: <http://www.burndy.com>

HYTOOL™	
ITEM NO: 464655	
CAT. NO: MD68	
DRAWN BY: J.R.H	08/19/67
CHECKER: CAR	08/19/67
DSN APPVL: --	--
MFG APPVL: --	--
QA APPVL: --	--
MKT APPVL: --	--
PROD FAM: --	--
PROJECT #: --	--
DOCUMENT TYPE: Sales	
REL LEVEL: Released	

SCALE: 1:2	DRAWING NO	REV
SIZE	SE068728	A
B	SHEET 1 OF 2	



DIE INDEX	CAT. NO.	DESCRIPTION	REFERENCE
0 (FIXED GROOVE)	YP-U	CABELOK CRIMPIT™	SD045569-01
C (DIE W-C)	YC-A	CRIMPIT™	SD027166-01, SD028962-01
	YC-C	CRIMPIT™	SE090670-01, SD029759-01
	YCB	STIRRUP™CONNECTOR	SD029790
	YDS-L	UNISPLICE™-TENSION	SD034930-01
	YDS-LY	UNISPLICE™-TENSION	SD053576-01
	YTU	T-TAP	SD031286
	YTUA-R-N	T-TAP	SD033697-01
	YLU-R	ELTAP	SD021071
D3 (FIXED GROOVE)	YP-U	CABELOK CRIMPIT™	SD045569-01
BG (DIE W-BG)	ES	INSULINK™	SD040874
	YCB	STIRRUP™CONNECTOR	SD029790
	YDS-L	UNISPLICE™-TENSION	SD034930-01
	YDS-LY	UNISPLICE™-TENSION	SD053576-01
	YDS-T	SERVICE HYSPLICE™	SC031169-01
	YEP	BYTAP	SC028493-01
	YLU	ELTAP	SD021071
	YSS	SERVICE HYSPLICE™	SC031169-01
	YSU	LINKITS™	SD052025
	YTU-R-R	T-TAP	SD031286, SD031528
	YC-A	CRIMPIT™	SD027166-01, SD028962-01
	YC-C	CRIMPIT™	SD090670-01, SD029759-01

ACCESSORIES		
CAT. NO.	QTY	DESCRIPTION
PT4925	1	HYTOOL™ CANVAS BAG MD6
MD6CPI	1	PROTECTIVE JAW COVERS
CASEWDIES	1	CASE, FOR W-DIES
PT49521	1	CARRYING CASE

REV.	DATE	DESCRIPTION	ECO	BY	C'H'K.
A	02/20/2013 00:00:00 AM	DRAWING REDRAW PROCESS	30565	DD	MB

REV: PE0200

TO ORDER BURNDY® PRODUCTS CALL		HYTOOL™	
UNITED STATES: 1-800-346-4175 (LONDONDERRY, NH)		ITEM NO: 464655	
CANADA: 1-800-361-6975 (QUEBEC) 1-800-387-6487 (ALL OTHER PROVINCES)		CAT. NO: MD68	
FOR PRODUCT INFO: <a href="http://www.burndy.com">http://www.burndy.com</a>		DRAWN BY: J.R.H. 08/19/67	
		CHECKER: CAR 08/19/67	
		DSN APPVL: --	
		MFG APPVL: --	
		QA APPVL: --	
		MKT APPVL: --	
		PROD FAM: --	
		PROJECT #: --	
		DOCUMENT TYPE: Sales	
		REL LEVEL: Released	
		SCALE: NTS	
		DRAWING NO	REV
		PROJECT #:	SIZE
		SE068728	B
		SHEET 2 OF 2	A

**BURNDY**