

MRC840 TOOL INSTALLATION CHART

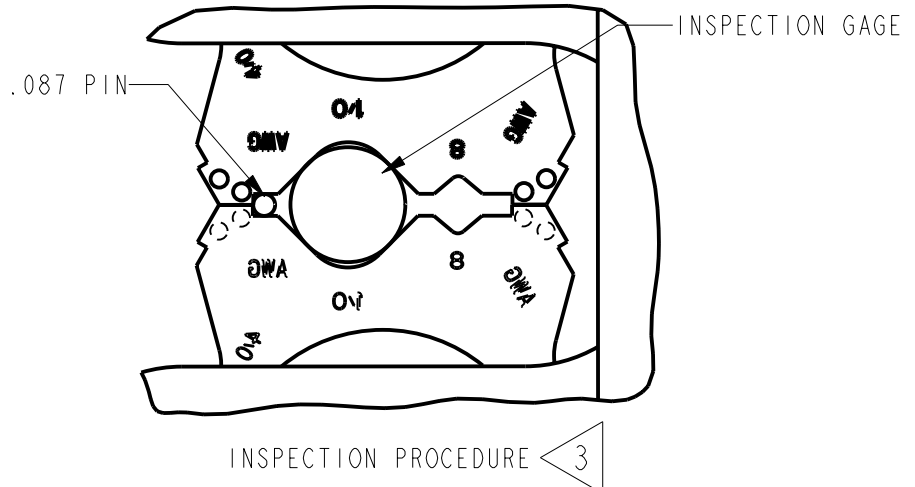
CONDUCTOR (COPPER)	CONNECTOR (COPPER)		COLOR CODE	DIE INDEX	NO. OF CRIMPS	NO. OF CRIMPS	G DIM.	
	HYLUG TERM.	HYLINK SPLICE						
#8 AWG STR.	YA8C-	YS8C-	RED	49	1	STANDARD BARREL (-L) LONG BARREL	0.162/0.178	
#6 AWG STR.	YA6C-	YS6C-	BLUE	7	1		2	0.187/0.205
#5 AWG STR.	YA5C-	YS5C-	BLUE	7	1		2	0.187/0.205
#4 AWG STR.	YA4C-	YS4C-	GRAY	6	1		2	0.230/0.248
#2 AWG STR.	YA2C-	YS2C-	BROWN	10	1		2	0.325/0.348
#1 AWG STR.	YA1C-	YS1C-	GREEN	11	1		2	0.325/0.348
1/0 AWG STR.	YA25-	YS25-	PINK	12	2		4	0.389/0.414
2/0 AWG STR.	YA26-	YS26-	BLACK	13	2		4	0.409/0.434
3/0 AWG STR.	YA27-	YS27-	ORANGE	14	2		4	0.484/0.512
4/0 AWG STR.	YA28-	YS28-	PURPLE	15	2		4	0.534/0.564

REV.	DATE	DESCRIPTION	ECO	BY	C'H'K.
D	2018-05-10 13:00:00 EDT	UPDATED AS PER MARKUP	49070	RS	RM

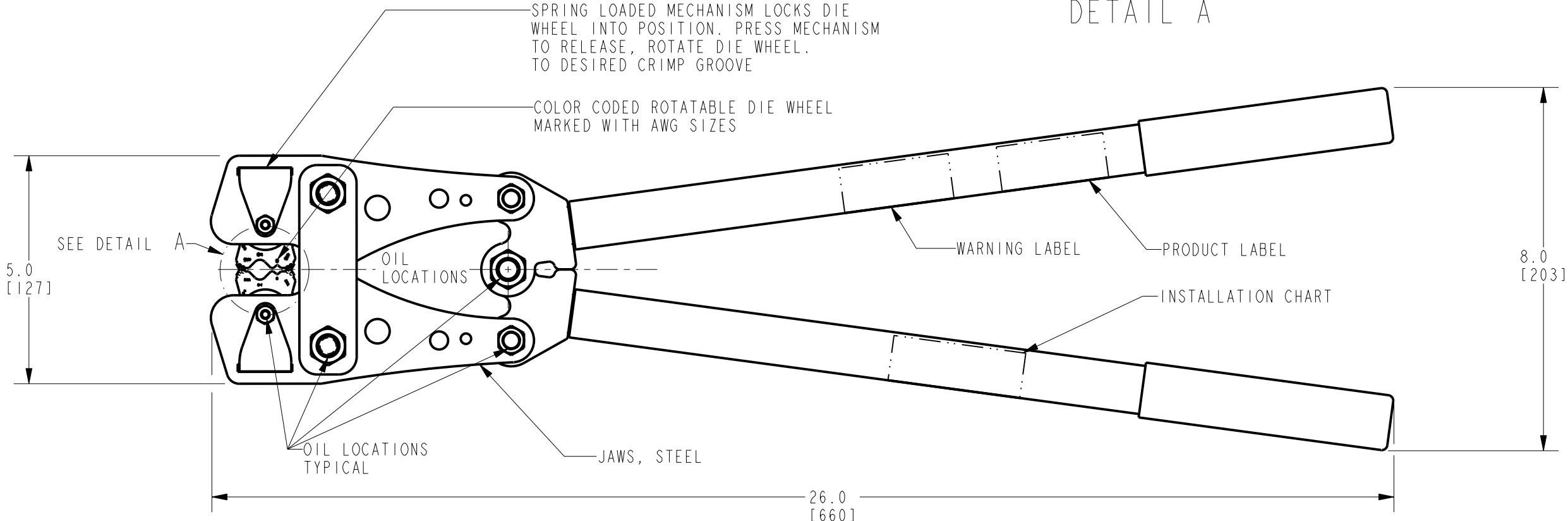
4

UL THE ABOVE CONNECTOR/CONDUCTOR COMBINATION ARE UL LISTED WHEN INSTALLED WITH THIS TOOL.

OIL ALL PIVOTING POINTS EVERY THREE MONTHS



DETAIL A



BENEFITS:

- BUTTING STEEL JAWS AND OVER CENTER CAM ACTION ASSURE FULL CRIMP FORCE.
- BURNDY LOGO AND CRIMP DIE INDEX EMBOSSEMENT ALLOWS EASY AND PERMANENT INSPECTABILITY OF INSTALLED CONNECTOR.
- LIGHT WEIGHT; 8 1/4 LBS. [3.7KG].
- ROTATABLE DIE WHEELS CONTAIN (9) CRIMP GROOVES FOR YA, YA-L, YS, AND YS-L CONNECTORS. CONNECTOR RANGE #8 AWG STR. TO 4/0 AWG STR. PER CHART.

NOTES:

- READ AND FOLLOW ALL INSTRUCTION PROVIDED BY THE OPERATOR'S MANUAL AND WARNING LABELS BEFORE USING THIS TOOL.
- DIMENSIONS IN BRACKETS [] ARE IN MILLIMETERS ROUNDED OFF TO THE NEAREST MILLIMETER, UNLESS OTHERWISE SPECIFIED. METRIC DIMENSIONS ARE FOR REFERENCE ONLY.
- USE A .087 DIA. PIN (INSIDE FLASH POCKET) IN CONJUNCTION WITH INSPECTION GAGE, AS SHOWN, TO ENSURE CORRECT MEASUREMENT OF G DIM.

! WARNING THIS TOOL IS NOT INSULATED FOR USE ON OR NEAR ENERGIZED CONDUCTORS.

TO ORDER BURNDY® PRODUCTS CALL		MECHANICAL, ROTATABLE, CRIMP TOOL	
UNITED STATES:		ITEM NO: 25015423	
1-800-346-4175 (LONDONDERRY, NH)		CAT. NO: MRC840	
CANADA:		DRAWN BY: D. DOBRINSKI 01/23/98	
1-800-361-6975 (QUEBEC)		CHECKER: J. LEFAVOUR 12/16/98	
1-800-387-6487 (ALL OTHER PROVINCES)		DSN APPVL: J. LEFAVOUR 12/16/98	
FOR PRODUCT INFO: http://www.burndy.com		MFG APPVL: S. GONYAW 12/16/98	
		QA APPVL: J. BRODEUR 12/21/98	
		MKT APPVL: N/A	
		SCALE: 3:8	
		PROD FAM: Tools_Mechanical/MRC840	
		TOOL DRAWING NO	
		PROJECT #: --	
		SIZE	
		DOCUMENT TYPE: Sales	
		REL LEVEL: Released	
		SE211280-01	
		SHEET 1 OF 1	
		D	

REV: PE0200