

CATALOG NUMBER	DESCRIPTION	CHARGER CATALOG NO.
PATCUT4CUALLI	PATRIOT PATCUT4CUAL WITH 120V CHARGER	PATCHGRLI
PATCUT4CUALLIDC	PATRIOT PATCUT4CUAL WITH 12V CHARGER	PATCHGRLDC
PATCUT4CUALLILCB	PATRIOT PATCUT4CUAL LESS CHARGER AND BATTERY	--

*** BILL OF MATERIAL ***

PT NO.	CATALOG NO.	QTY	DESCRIPTION
1	CASEPATCUT4CUAL	1	CASE, PATRIOT CUTTER 4" CUAL
2	BAT18VLI	2	BATTERY, LITHIUM ION 18V
3	PATCHGRLI	1	CHARGER, BATTERY LITHIUM ION
4	BATCHGRLIOMI	1	BATTERY CHARGER SAFETY OPERATING MAINTENANCE & INSTRUCTIONS
5	PT208620	1	LANYARD
6	PATCUT4CUALOMI	1	SOMI, PATCUT4CUAL
7	PT20443801	1	FIVE YEAR WARRANTY CARD
8	LIMSDS	1	MSDS, LITIUM ION BATTERY

PATRIOT®

BATTERY ACTUATED TOOL - HYDRAULIC SELF CONTAINED - 11 TON OUTPUT FORCE

SPECIFICATIONS

- CRIMP FORCE: 11 TONS (9.9 METRIC TONS)
- TOOL WEIGHT: 20.3 LBS (8.6 kg)
- LENGTH: 24.31 IN (61.75 cm)
- WIDTH: 3.26 IN (8.28 cm)
- HEIGHT: 15.33 IN (38.94 cm)
- OPERATING VOLTAGE: 18V-DC
- RECHARGE TIME: 30 MINUTES

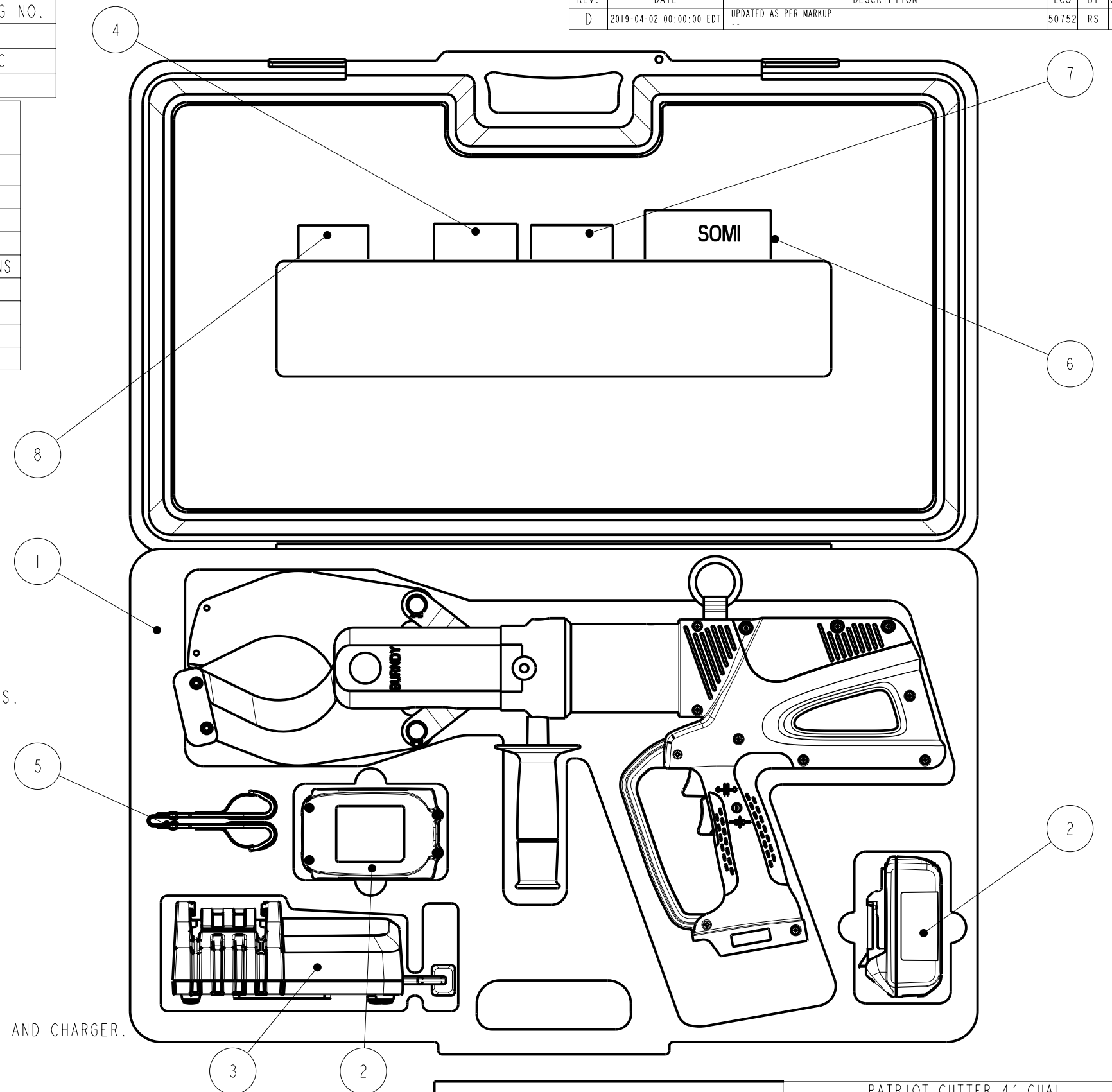
FEATURES AND BENEFITS

- REFINED HYDRAULIC SYSTEM FOR SUPERIOR PERFORMANCE, SPEED AND RELIABILITY.
- FIELD PROVEN ELECTRONICS FOR ULTIMATE RELIABILITY IN THE HARSHTEST ENVIRONMENTS.
- OVERMOLDED HANDLE FOR COMFORT AND IMPROVED GRIP; ALLOWS FOR ONE-HANDED OPERATION FOR ADVANCE, RETRACT AND HOLD.
- 18 VOLT LITIUM-ION BATTERIES PROVIDE 2.5 TIMES MORE CHARGE / DISCHARGE CYCLES THAN TRADITIONAL Ni-Cd BATTERIES AND PROVIDE 430% MORE LIFETIME WORK.
- 30 MINUTE CHARGER CONTROLS CURRENT, VOLTAGE AND TEMPERATURE TO MAXIMIZE BATTERY LIFE. FORCED AIR COOLING FAN COOLS THE BATTERY BY FORCING COOL AIR THROUGH THE BATTERY'S BUILT-IN AIR VENTS.
- STATE OF THE ART SCISSOR STYLE BLADE DESIGN, 355° ROTATION LETS THE USER GET INTO TIGHT AREAS EASIER.
- DURABLE HIGH IMPACT FORMED CARRYING CASE PROVIDES SUPERIOR PROTECTION AND STORES ALL ACCESSORIES.
- 5 YEAR LIMITED WARRANTY ON THE TOOL, 3 YEAR LIMITED WARRANTY ON THE BATTERIES AND CHARGER.
- LIFETIME WARRANTY ON INFINITY DRIVE®.

NOTES:

1. TOOL ACCEPTS 18V MAKITA LITHIUM ION BATTERIES, BL SERIES OF SIZE 2.0 Ahr AND GREATER IF THE PLASTIC BATTERY CLIP IN THE TOOL HAS A "STAR" MOLDED INTO IT. THE "STAR" IDENTIFIES ACCEPTANCE OF THE BL SERIES BATTERIES.
2. FOR TOOLS WHICH DO NOT HAVE A "STAR" MOLDED INTO THE PLASTIC BATTERY CLIP, USE IS LIMITED TO THE BL 1830 (3.0 Ahr) BATTERY. FORCING ANY OTHER BATTERY INTO THIS TOOL WILL VOID THE WARRANTY.

REV.	DATE	DESCRIPTION	ECO	BY	C'H'K.
D	2019-04-02 00:00:00 EDT	UPDATED AS PER MARKUP	50752	RS	RM



TO ORDER BURNDY® PRODUCTS CALL

UNITED STATES:
1-800-346-4175 (LONDONDERRY, NH)

CANADA:
1-800-361-6975 (QUEBEC)
1-800-387-6487 (ALL OTHER PROVINCES)

FOR PRODUCT INFO: <http://www.burndy.com>

PATRIOT CUTTER 4' CUAL

ITEM NO: N/A	SCALE: 1:4
CAT. NO: SEE TABLE	DRAWING NO
DRAWN BY: T. FAUCHER 06/03/2014	REV
CHECKER: L. BROWN 06/05/2014	50044134
DSN APPVL: L. BROWN 01/22/2015	D
MFG APPVL: S. GONYAW 01/23/2015	SHEET 1 OF 1
QA APPVL: C. LINDQUIST 01/26/2015	
MKT APPVL: P. SILVA 01/22/2015	
PROD FAM: TOOLS, BATTERY	
PROJECT #: --	
DOCUMENT TYPE: Sales	
REL LEVEL: Released	