

REV.	DATE	DESCRIPTION	ECO	BY	C.H.K.
B	05/03/2017 09:05:00 AM	LOGO UPDATION	46659	BK	MB

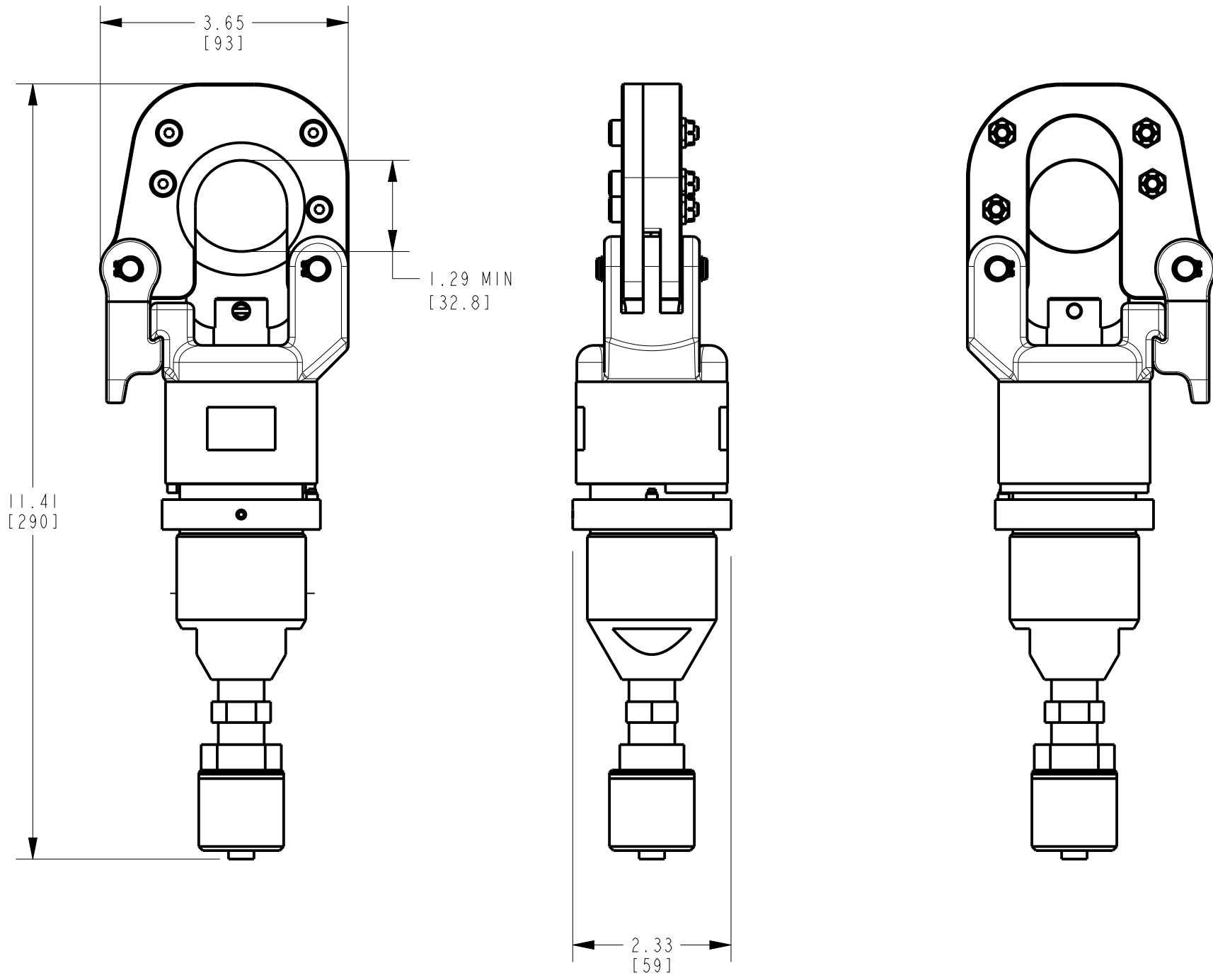
CATALOG NO.	QTY	DESCRIPTION
BUBBLEPAK32424	1	BUBBLE PACK
PT10043890	1	CARRYING BAG
CTN601	1	12.63 X 6.38 X 4.63
PT20443801	1	WARRANTY CARD
RHCC129ACSR0M1	1	SOMI 1.29" REMOTE CUTTER
USALABELNH	1	LABEL, USA (NH)

SPECIFICATION:

INPUT PRESSURE: 10,000 PSI  
 OUTPUT FORCE: 7 TONS (6.35 METRIC TONS)  
 TOOL WEIGHT: 6.21 LBS (2.8 kg)

FOR USE ON

COPPER & ALUMINUM	1.29" O.D.	(33 MM)
ACSR	1113 kcmil	
GROUND ROD	5/8"	(16 MM)
REBAR	1/2"	(13 MM)
SOFT STEEL BOLTS	5/8"	(16 MM)
STANDARD GUY WIRE	1/2"	(13 MM)
EHS GUY WIRE	3/8"	(10 MM)



FEATURES AND BENEFITS

- TRUE ONE HANDED OPERATION: USER HAS ONE HAND FREE TO MANIPULATE MATERIAL TO BE CUT
- SPECIAL LATCH HEAD DESIGN: PROVIDES INTERFERENCE FREE CLOSURE FOR MID-SPAN CUTS
- 180-DEGREE HEAD ROTATION: LETS USERS GET INTO TIGHT AREAS EASILY
- 5 YEAR LIMITED WARRANTY ON THE TOOL.

1 READ AND FOLLOW ALL INSTRUCTIONS PROVIDED BY THE OPERATORS MANUAL, AND WARNING LABELS BEFORE USING THIS TOOL.

TO ORDER BURNDY® PRODUCTS CALL  
 UNITED STATES:  
 1-800-346-4175 (LONDONDERRY, NH)  
 CANADA:  
 1-800-361-6975 (QUEBEC)  
 1-800-387-6487 (ALL OTHER PROVINCES)  
 FOR PRODUCT INFO: <http://www.burndy.com>

RHCC129ACSR	
ITEM NO:	10038983
CAT. NO:	RHCC129ACSR
DRAWN BY:	A MONTMINY 12/06/2004
CHECKER:	J LEFAVOUR 12/31/2004
DSN APPVL:	J PETERSON 12/31/2004
MFG APPVL:	-- 01/01/2001
QA APPVL:	J BRODEUR 01/04/2005
MKT APPVL:	R POIRIER 01/04/2005
PROD FAM:	--
PROJECT #:	13195
DOCUMENT TYPE:	Sales
REL LEVEL:	Released
SCALE:	1:2
DRAWING NO	10046861
REV	B
SHEET 1 OF 1	



REV: PE0200