

REV.	DATE	DESCRIPTION	ECO	BY	C.H.K.
B	08/21/2015 00:00:00 AM	UPDATED AS PER MARKUP	41331	MG	RM

RHCC2156ACSR BILL OF MATERIAL		
CATALOG NO.	QTY	DESCRIPTION
PT10054094	1	CARRYING BAG
RHCC2156ACSR0M1	1	SOM1, RHCC2156ACSR
CUT200BLSTA	1	BLADE, STATIONARY
CUT200BLMVBL	1	BLADE, MOVABLE
LBLWRNGENL	1	LABEL, WARNING GENERAL
RHCC2156LBLID	1	ID LABEL RHCC2156

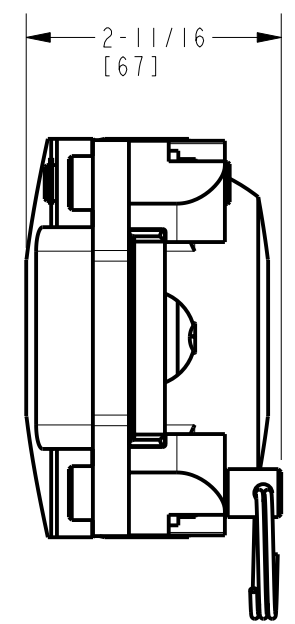


**SPECIFICATIONS:**

INPUT PRESSURE: 10,000 PSI  
 OUTPUT FORCE: 11 TONS  
 TOOLS WEIGHT: 10 LBS (4.5 kg)

**FOR USE ON**

MATERIAL	MAX O.D.	
ACSR	2156 KCMIL	
Cu & Al	2.0"	(51 MM)
GROUND ROD	3/4"	(19 MM)
REBAR	5/8"	(16 MM)
SOFT STEEL BOLTS	3/4"	(19 MM)
STD. GUY WIRE	9/16"	(14 MM)
EHS GUY WIRE	9/16"	(14 MM)



**FEATURES AND BENEFITS**

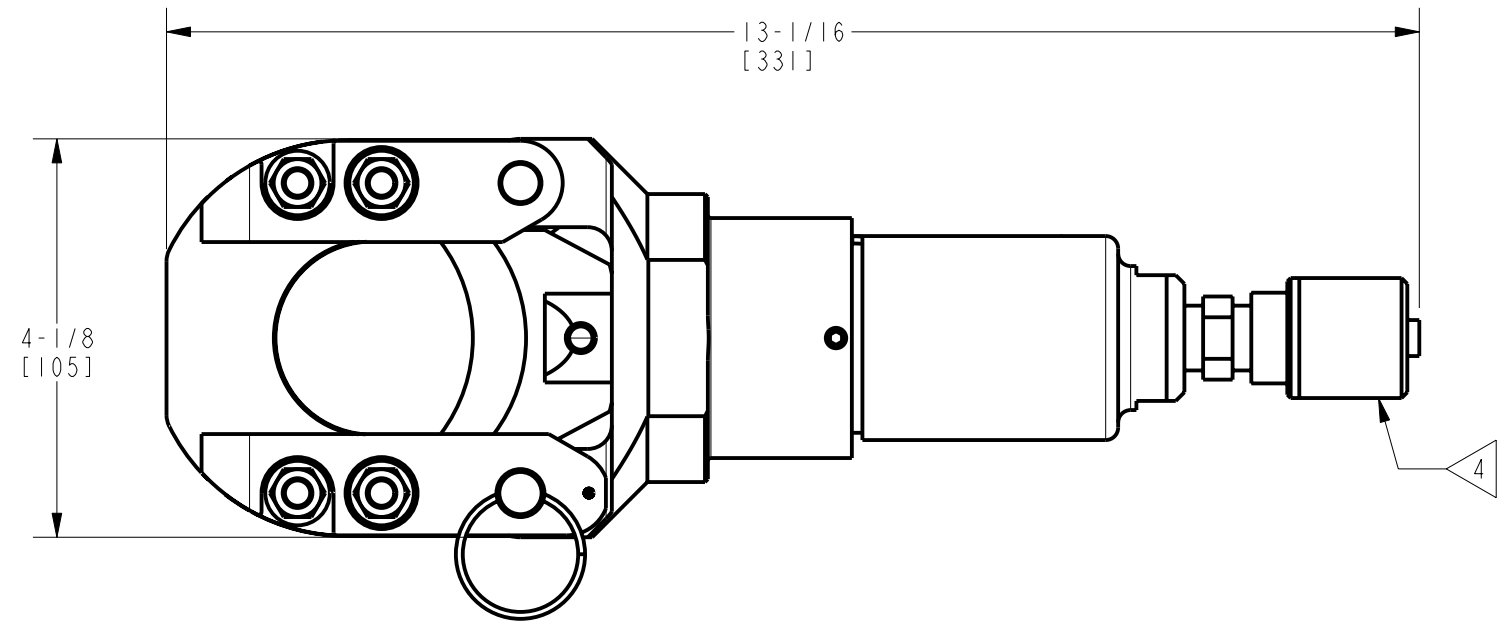
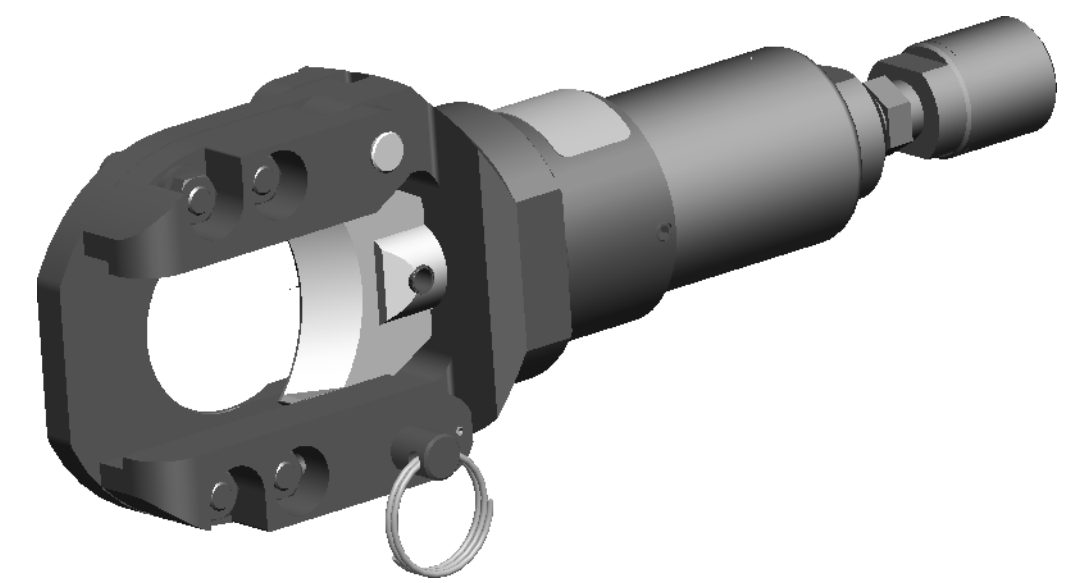
- TRUE ONE HANDED OPERATION: USER HAS ONE HAND FREE TO MANIPULATE MATERIAL TO BE CUT.
- SPECIAL LATCH HEAD DESIGN: PROVIDES INTERFERENCE FREE CLOSURE FOR MID SPAN CUTS.
- 180° HEAD ROTATION: LETS USERS GET INTO TIGHT AREAS EASILY.
- 5 YEAR LIMITED WARRANTY ON THE TOOL.

**NOTES:**

1. READ AND FOLLOW ALL INSTRUCTIONS PROVIDED BY THE OPERATORS MANUAL AND WARNING LABELS BEFORE USING THIS TOOL.
2. DIMENSIONS IN BRACKETS [ ] ARE IN MILLIMETERS ROUNDED OFF TO THE NEAREST MILLIMETER UNLESS OTHERWISE NOTED AND ARE FOR REFERENCE ONLY.

3. REFERENCE SOM1 FOR BLADE REPLACEMENT INSTRUCTIONS.

4. RHCC2156ACSRF HAS FEMALE (PT93) COUPLER



REV: PE0200

TO ORDER BURNDY® PRODUCTS CALL  
 UNITED STATES:  
 1-800-346-4175 (LONDONDERRY, NH)  
 CANADA:  
 1-800-361-6975 (QUEBEC)  
 1-800-387-6487 (ALL OTHER PROVINCES)  
 FOR PRODUCT INFO: <http://www.burndy.com>

RHCC2156ACSR		SCALE: 1:1	
ITEM NO: 50024999, 50025006		DRAWING NO	
CAT. NO: RHCC2156ACSR, RHCC2156ACSRF		REV	
DRAWN BY: T. FAUCHER 05/23/2014	CHECKER: L. BROWN 05/23/2014	PROJECT #: --	SIZE B
DSN APPVL: L. BROWN 09/26/2014	MFG APPVL: S. HOPPS 09/29/2014	DOCUMENT TYPE: Sales	50025001
QA APPVL: C. LINDQUIST 09/30/2014	MKT APPVL: M. RZASA 09/25/2014	REL LEVEL: Released	B
PROD FAM: TOOLS, HYDRAULIC		SHEET 1 OF 1	

