

DRAWING NO.
30025742

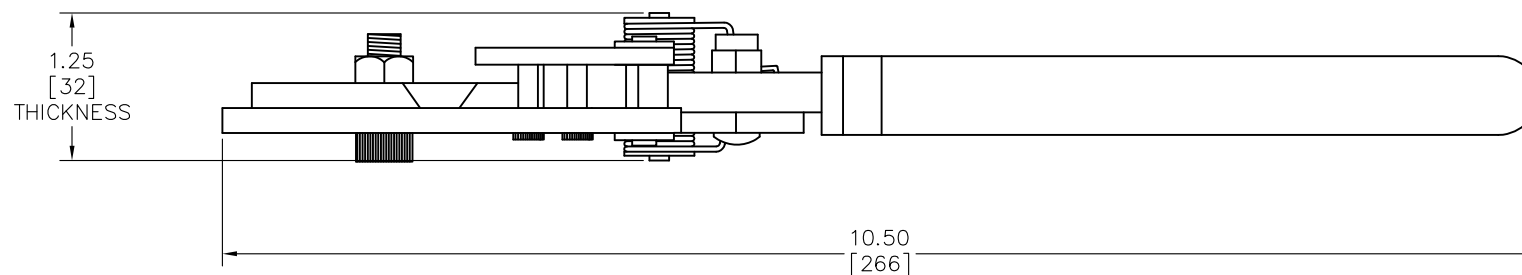
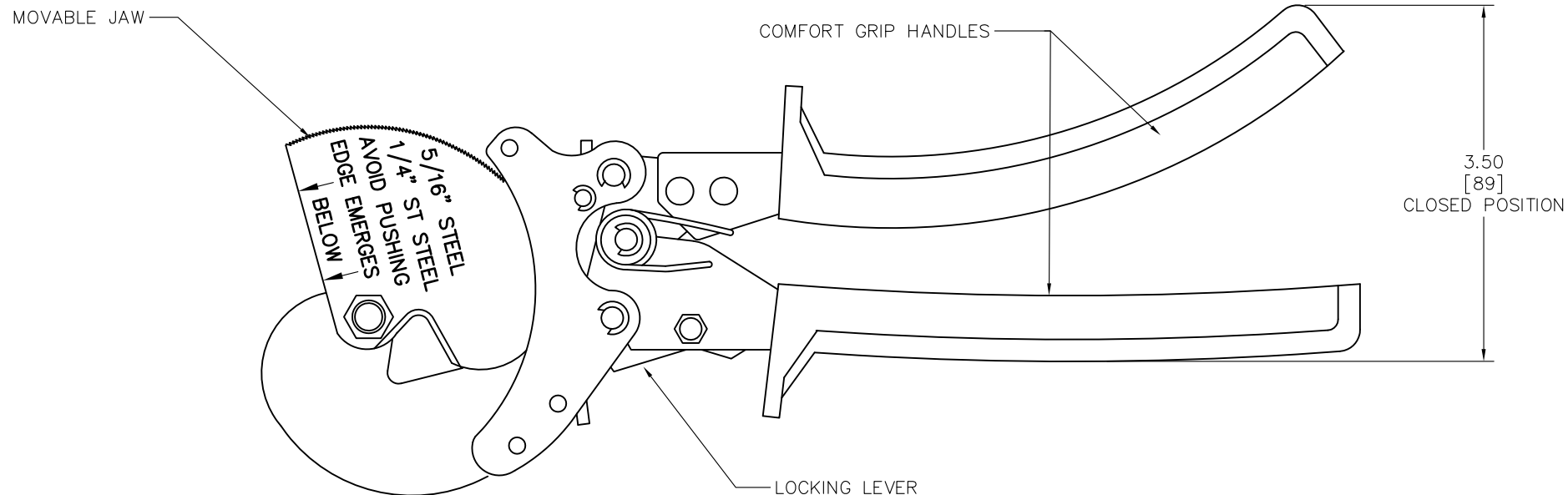
4

3

2

1

REV.	DATE	DESCRIPTION	ECO	BY	C'K'D.
A	03/21/12	DRAWING RELEASED	27047	RB	PW



CUTTING CAPACITY
5/16" DIA. STEEL
1/4" DIA. STAINLESS STEEL

NOTES:

- MATERIAL: BLADES: HIGH STRENGTH STEEL.
FRAME: HIGH STRENGTH STEEL.
HANDLES: ANTI-SLIP RUBBER OVER HIGH STRENGTH STEEL.
- WEIGHT: 1.2 LB [0.5 KG]
- RATCHET MECHANISM INCLUDES EMERGENCY RELEASE FEATURE.
- READ AND FOLLOW ALL INSTRUCTIONS AND WARNINGS IN THE OPERATOR'S MANUAL BEFORE USING TOOL.
- DIMENSIONS IN BRACKETS [] ARE IN MILLIMETERS, ROUNDED TO THE NEAREST MILLIMETER, AND ARE FOR REFERENCE ONLY.

TO ORDER BURNDY® PRODUCTS CALL
UNITED STATES:
1-800-346-4175 (LONDONDERRY, NH)
CANADA:
1-800-361-6975 (QUEBEC)
1-800-387-6487 (ALL OTHER PROVINCES)
FOR PRODUCT INFO: <http://www.burndy.com>

RATCHET WIRE ROPE CUTTER

ITEM NO: 30026110	
CAT NO: RWRC516	
SCALE: 1:1	
DRAWN BY: R. BOISVERT	03/21/12
CHECKER: P. WASON	03/21/12
DSN APPVL: P. WASON	03/20/12
MFG APPVL: ---	---
QC APPVL: C. KOWALCZYK	03/21/12
MKT APPVL: D. OWENS	03/16/12
PROD FAM: ---	DRAWING NO
PROJECT #: ---	30025742
DOCUMENT TYPE: ---	REV
REL LEVEL: ---	A

BURNDY

SHEET 1 OF 1

4

3

2

1