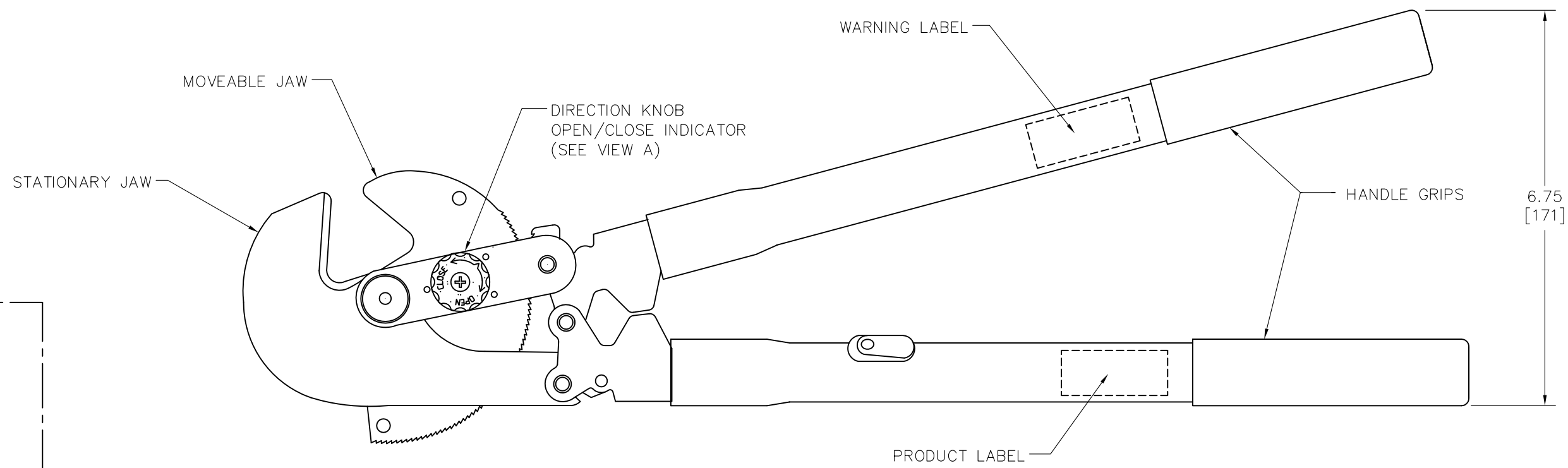
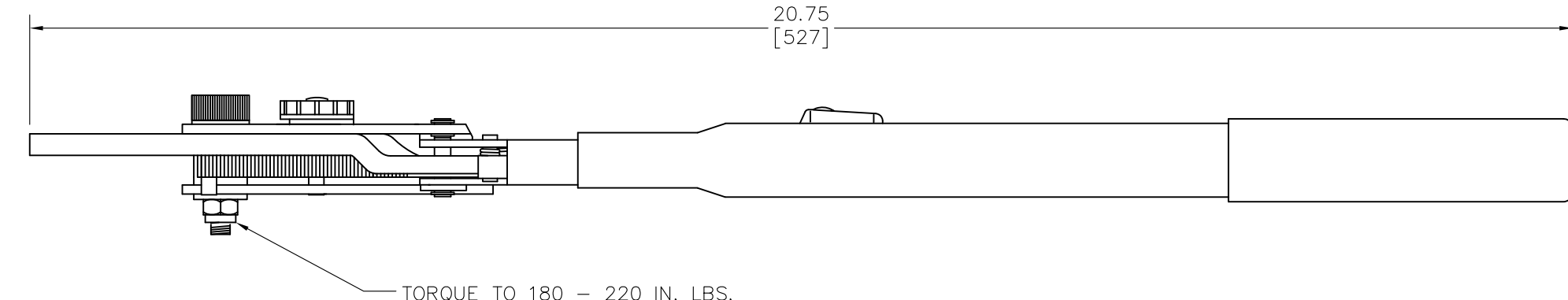


REV.	DATE	DESCRIPTION	ECO	BY	C'K'D.
A	08/15/12	DRAWING RELEASED	27001	RB	MC



VIEW A



NOTES:
 READ AND FOLLOW ALL INSTRUCTIONS PROVIDED BY THE OPERATOR'S MANUAL AND WARNING LABELS BEFORE USING THIS TOOL.
 DIMENSIONS IN [] ARE IN MILLIMETERS ROUNDED OFF TO THE NEAREST MILLIMETER, UNLESS OTHERWISE SPECIFIED. DIMENSIONS ARE FOR REFERENCE ONLY.

SPECIFICATIONS

WEIGHT: 4.0 LBS. [1.8 KG].

JAWS:
 PATENTED HIGH STRENGTH STEEL, AND REPLACEABLE. YIELDING MINIMUM CONDUCTOR DISTORTION.

TYPE OF MECHANISM:
 HAND DRIVEN RATCHET WITH RAPID ADVANCE

* TOOL WILL CUT THE FOLLOWING ACSR CABLE: 18 STRDS AL / 1 STRD ST AND 24 STRDS AL / 7 STRDS ST. OTHER CONFIGURATIONS ARE NOT RECOMMENDED AS TOOL DAMAGE MAY OCCUR.

TO ORDER BURNDY® PRODUCTS CALL
 UNITED STATES:
 1-800-346-4175 (LONDONDERRY, NH)
 CANADA:
 1-800-361-6975 (QUEBEC)
 1-800-387-6487 (ALL OTHER PROVINCES)
 FOR PRODUCT INFO: <http://www.burndy.com>

RATCHET WIRE ROPE CUTTER - 9/16"	
ITEM NO: 30026111	
CAT NO: RWRC916	
SCALE: N/A	BURNDY
DRAWN BY: R. BOISVERT 08/15/12	
CHECKER: M. CHIASSON 08/16/12	
DSN APPVL: M. CHIASSON 08/15/12	
MFG APPVL: . 3/4/98	
QC APPVL: C. KOWALCZYK 03/22/12	DRAWING NO
MKT APPVL: D. OWENS 07/31/12	30026692
PROD FAM: --	REV
PROJECT #: --	A
DOCUMENT TYPE: Sales	SIZE
REL LEVEL: AutoCAD	D
SHEET 1 OF 1	