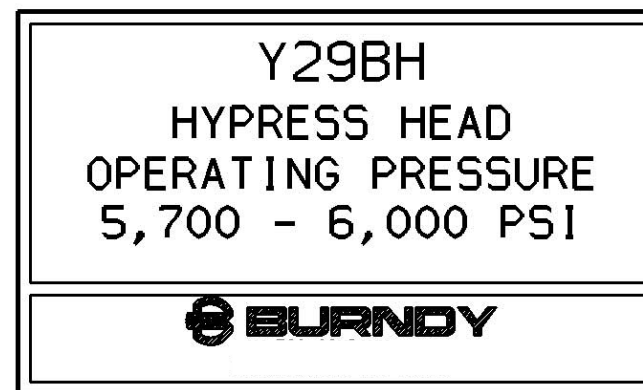
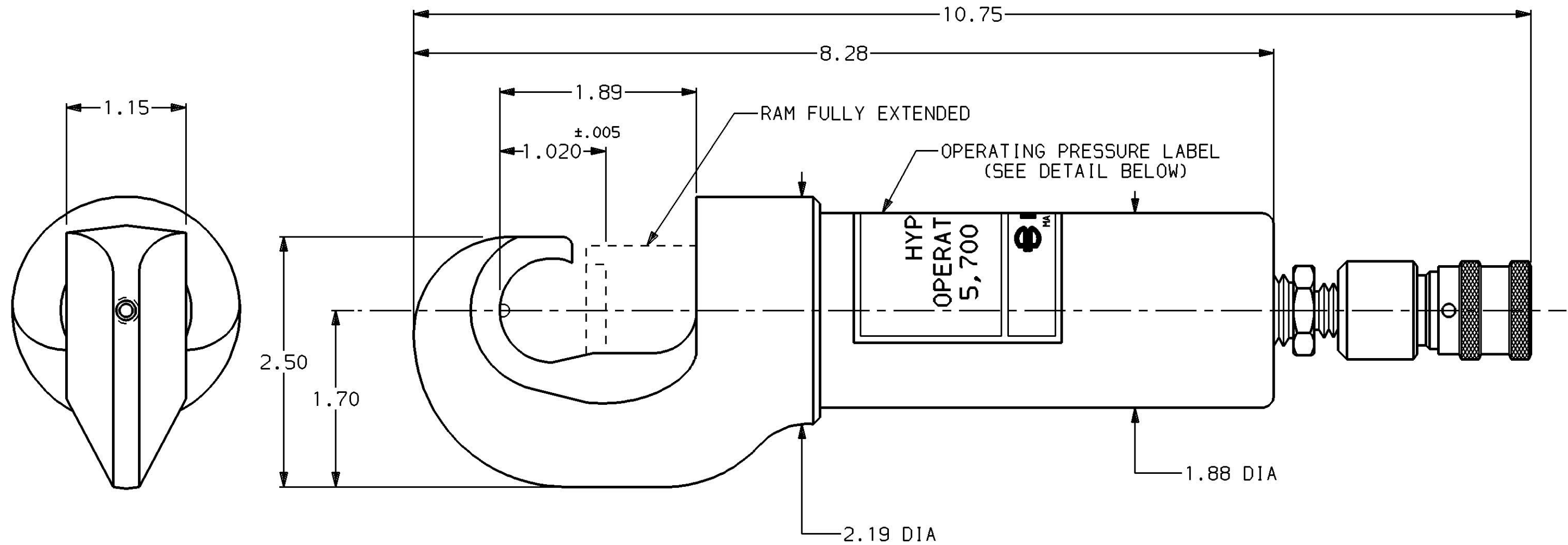


REV.	DATE	DESCRIPTION	BY	C'K'D.
1	5/5/93	ADDED "AN FCI COMPANY" TO LABEL. OPERATING PRESSURE WAS 5,700-5,000 PSI. ADD PROPER ZIP CODE. (PCN 1112)	JLM	DGF
2	1/25/95	ADDED ±.005 TOLERANCE TO 1.02 DIMENSION PER PCN (2186).	RDP	DGF



OPERATING PRESSURE LABEL

Y29BH			
CAT NO. Y29BH		SCALE FULL SIZE	
DRAWN MAL 03-20-90	CHECKED JBH 07-17-90		
DES APPROV. GSG 07-16-90	MFG APPROV MB 07-17-90		
		Q.C. APPROV. FRR 07-17-90	
		DRAWING NO.	REV
		SC205962	2
STP11026		SHT 1 OF 1	

CAD FILE: SC205962-SHT01