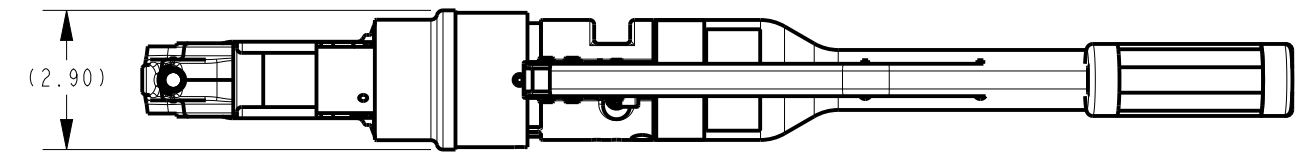


REV.	DATE	DESCRIPTION	ECO	BY	C'H'K.
D	02/05/2013 00:00:00 AM	CHANGE RAM OPENING TO 1.653 MINIMUM	30317	TRF	MAC

**SPECIFICATIONS Y750HSXT**

Force developed : 12 tons  
 Weight : 14.5 lbs. (6.6 kg)  
 Length : 23.96" (608 mm)  
 Height : 2.86" (73 mm)  
 Width : 8.71" (222 mm)  
 Jaw opening : 1.653" (42 mm) Minimum



**SPECIFICATIONS Y750CHSXT**

Force developed : 12 tons  
 Weight : 17.2 lbs. (7.8 kg)  
 Length : 24.1" (612 mm)  
 Height : 3.06" (78 mm)  
 Width : 8.9" (226 mm)  
 Jaw opening : 1.70" (43 mm)

**BENEFITS**

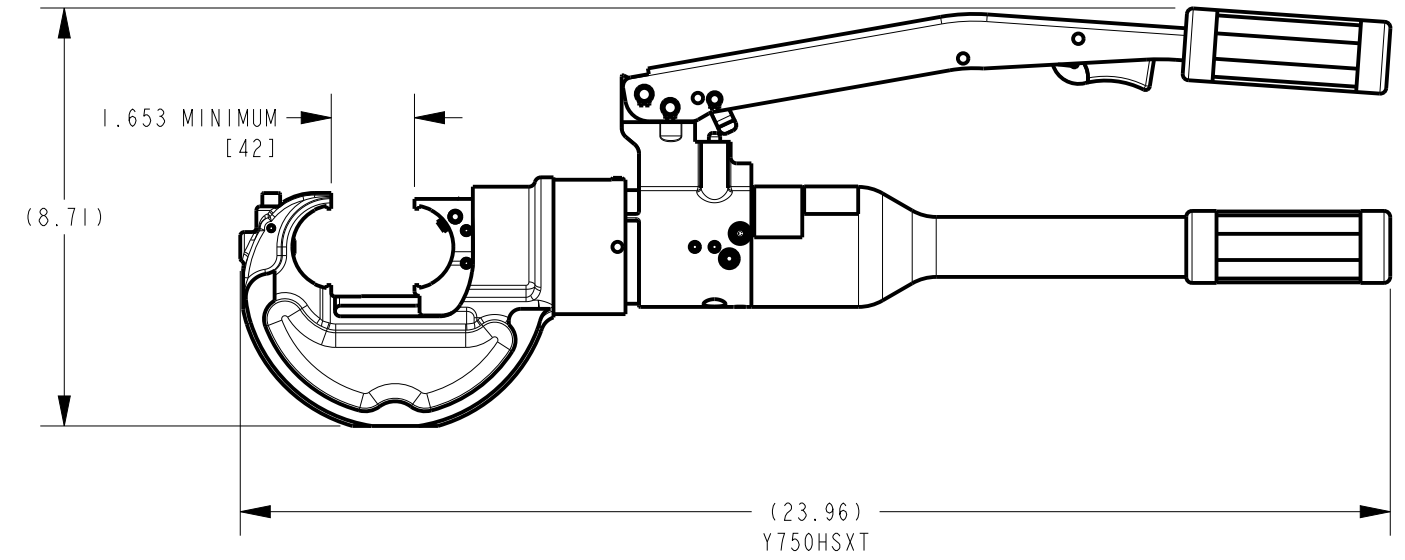
- Covers a wide range of applications with a lightweight, self-contained system and provides easy tool removal from continuous conductors with its C-shaped head.
- Easy tool positioning with its 355° head rotation.
- Patented rapid advance pump for faster crimps.
- Exposed positive die lock buttons for easy die change out and die retention.
- Handle trigger drain for convenient ram retraction.
- Quality assurance is provided with an audible "Pop-Off" pressure relief valve.
- Comfort grip handles help ease operator fatigue with continuous use.
- Long life expectancy from the company that provided the industry with the first self-contained hydraulic tool in 1934.
- Rubber covered head and handles on Y750CHSXT for tool impact protection.
- Supplied with high impact plastic carrying case.
- Five year limited warranty and two years on all tools repaired by an Authorized BURNDY® Tool Repair Center.

**FOR USE ON**

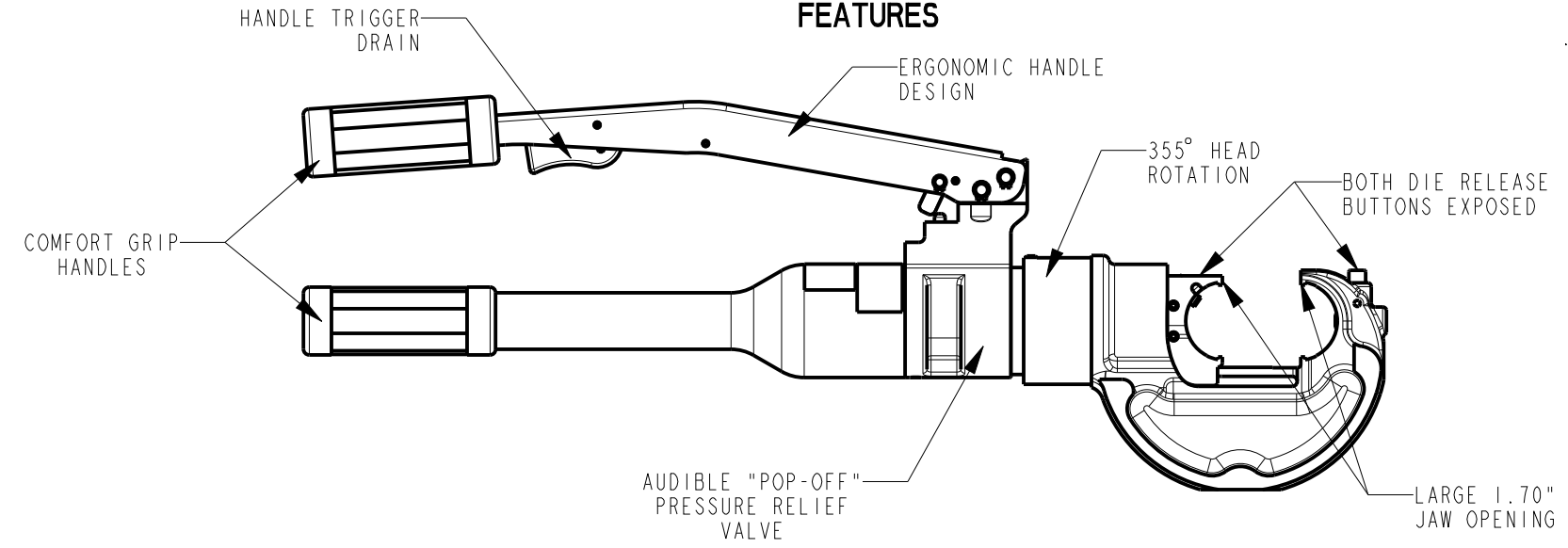
- Tension Sleeves  
 Copper # 8 sol.-500kcmil  
 Aluminum # 8sol.-587-2kcmil  
 ACSR # 4-556.5kcmil
- Taps  
 Copper # 14 sol.-500kcmil  
 Aluminum # 8-500kcmil
- Aerial Cable  
 Copper # 6-500kcmil
- Terminals & Splices  
 Aluminum # 8 -750kcmil  
 Copper # 8-750kcmil  
 ACSR # 4-556 kcmil
- HYGROUND (Compression Ground)  
 Copper # 8-500 kcmil (cable/ground rod)  
 Ground Rods 1/2"-1" Diameter

**ACCESSORIES**

Cat. No. Description  
 PT10024162 Plastic Carrying Case for Y750HSXT and Y750CHSXT



**FEATURES**



TO ORDER BURNDY® PRODUCTS CALL		Y750HSXT, Y750CHSXT SELF CONTAINED TOOL																		
UNITED STATES: 1-800-346-4175 (LONDONDERRY, NH)		ITEM NO: 10074286, 10075515																		
CANADA: 1-800-361-6975 (QUEBEC) 1-800-387-6487 (ALL OTHER PROVINCES)		CAT. NO: Y750HSXT, Y750CHSXT																		
FOR PRODUCT INFO: <a href="http://www.burndy.com">http://www.burndy.com</a>		<table border="1"> <tr> <td>DRAWN BY: T. FAUCHER 04/13/2007</td> <td rowspan="4"><b>BURNDY</b></td> </tr> <tr> <td>CHECKER: M. CHIASSON 04/13/2007</td> </tr> <tr> <td>DSN APPVL: J. LEFAVOUR 04/19/2007</td> </tr> <tr> <td>MFG APPVL: -- --</td> </tr> <tr> <td>QA APPVL: J. BRODEUR 04/19/2007</td> <td>SCALE: 1:1</td> </tr> <tr> <td>MKT APPVL: B. POIRIER 05/17/2007</td> <td>DRAWING NO</td> </tr> <tr> <td>PROJECT #: --</td> <td>SIZE</td> </tr> <tr> <td>DOCUMENT TYPE: Sales</td> <td>10076340</td> </tr> <tr> <td>REL LEVEL: Released</td> <td>B</td> </tr> <tr> <td></td> <td>SHEET 1 OF 1</td> </tr> </table>		DRAWN BY: T. FAUCHER 04/13/2007	<b>BURNDY</b>	CHECKER: M. CHIASSON 04/13/2007	DSN APPVL: J. LEFAVOUR 04/19/2007	MFG APPVL: -- --	QA APPVL: J. BRODEUR 04/19/2007	SCALE: 1:1	MKT APPVL: B. POIRIER 05/17/2007	DRAWING NO	PROJECT #: --	SIZE	DOCUMENT TYPE: Sales	10076340	REL LEVEL: Released	B		SHEET 1 OF 1
DRAWN BY: T. FAUCHER 04/13/2007	<b>BURNDY</b>																			
CHECKER: M. CHIASSON 04/13/2007																				
DSN APPVL: J. LEFAVOUR 04/19/2007																				
MFG APPVL: -- --																				
QA APPVL: J. BRODEUR 04/19/2007	SCALE: 1:1																			
MKT APPVL: B. POIRIER 05/17/2007	DRAWING NO																			
PROJECT #: --	SIZE																			
DOCUMENT TYPE: Sales	10076340																			
REL LEVEL: Released	B																			
	SHEET 1 OF 1																			

REV: PE0200