

REV.	DATE	DESCRIPTION	ECO	BY	CHK.
B	09/05/2013 09:25:00 AM	UPDATE WITH NEW FORMAT PER MUJ.	33182	RLB	MC

CATALOG NO.	QTY	DESCRIPTION
PT10024162	1	CARRY CASE Y750HS
BUBBLEPAK32424	1	BUBBLE PACK
CTNY750HS	1	CARTON
YCUT129ACSR	1	SOMI, YCUT129ACSR
PT20443801	1	FIVE YEAR WARRANTY CARD

1

SPECIFICATION:

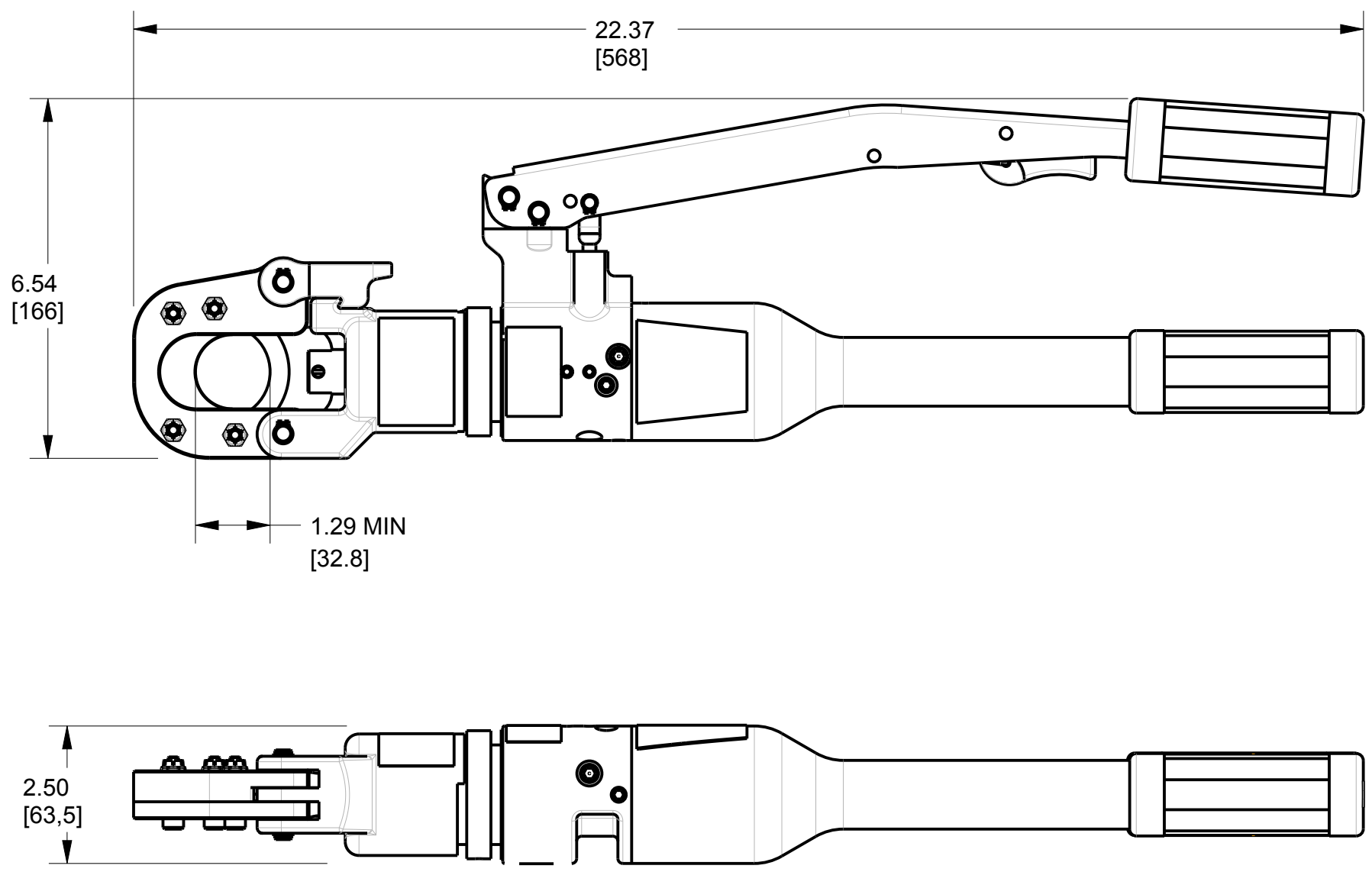
- □ OUTPUT FORCE: 7 TONS (6.35 METRIC TONS)
- TOOL WEIGHT: 11.41 LBS (5.13 kg)

FOR USE ON

- COPPER & ALUMINUM 1.29" O.D. (33 MM)
- ACSR 1113 kcmil
- GROUND ROD 5/8" (16 MM)
- REBAR 1/2" (13 MM)
- SOFT STEEL BOLTS 5/8" (16 MM)
- STANDARD GUY WIRE 1/2" (13 MM)
- EHS GUY WIRE 3/8" (10 MM)

FEATURES AND BENEFITS

- ERGONOMIC HANDLE DESIGN WITH COMFORT GRIP HANDLES
- PATENTED RAPID ADVANCE PUMP FOR FEWER STROKES PER CUT
- HANDLE MOUNTED TRIGGER DRAIN FOR EASY RAM RETRACTION
- SPECIAL LATCH HEAD DESIGN: PROVIDES INTERFERENCE FREE CLOSURE FOR MID-SPAN CUTS
- 180-DEGREE HEAD ROTATION: LETS USERS GET INTO TIGHT AREAS EASILY
- 5 YEAR LIMITED WARRANTY ON THE TOOL.



1 READ AND FOLLOW ALL INSTRUCTIONS PROVIDED BY THE OPERATORS MANUAL, AND WARNING LABELS BEFORE USING THIS TOOL.

TO ORDER BURNDY® PRODUCTS CALL
 UNITED STATES:
 1-800-346-4175 (LONDONDERRY, NH)
 CANADA:
 1-800-361-6975 (QUEBEC)
 1-800-387-6487 (ALL OTHER PROVINCES)
 FOR PRODUCT INFO: <http://www.burndy.com>

YCUT129ACSR	
ITEM NO:	10042987
CAT. NO:	YCUT129ACSR
DRAWN BY:	A MONTMINY 12/23/2004
CHECKER:	J LEFAVOUR 12/31/2004
DSN APPVL:	J PETERSON 12/31/2004
MFG APPVL:	-
QA APPVL:	J BRODEUR 01/04/2005
MKT APPVL:	R POIRIER 01/04/2005
PROD FAM:	-
PROJECT #:	13026
DOCUMENT TYPE:	Sales
REL LEVEL:	Released

SCALE: 3:8	DRAWING NO	REV
	10046862	B
	SHEET 1 OF 1	



REV: PE0200