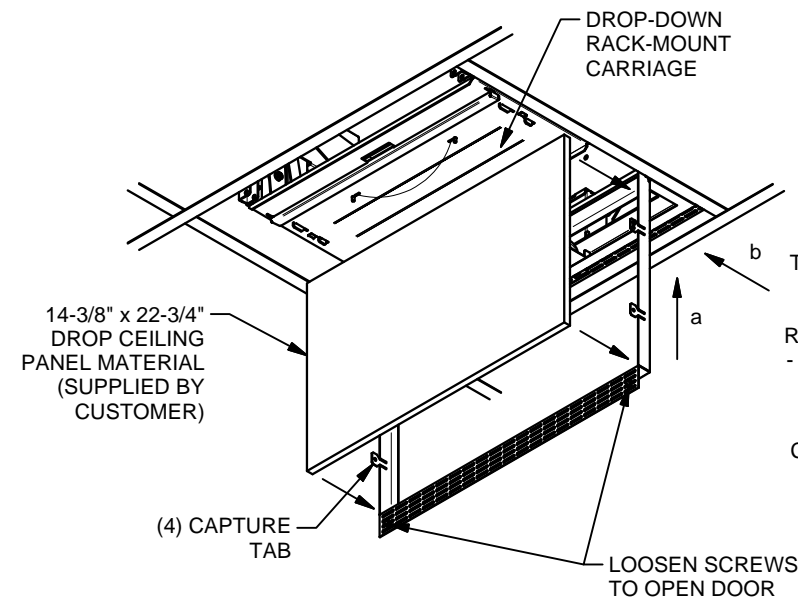


CEILING TILE INSTRUCTIONS

10. INSTALL 14-3/8" x 22-3/4" DROP CEILING MATERIAL (SUPPLIED BY CUSTOMER) INTO DOOR. BEND CAPTURE TABS OVER CEILING PANEL TO HOLD IN PLACE.

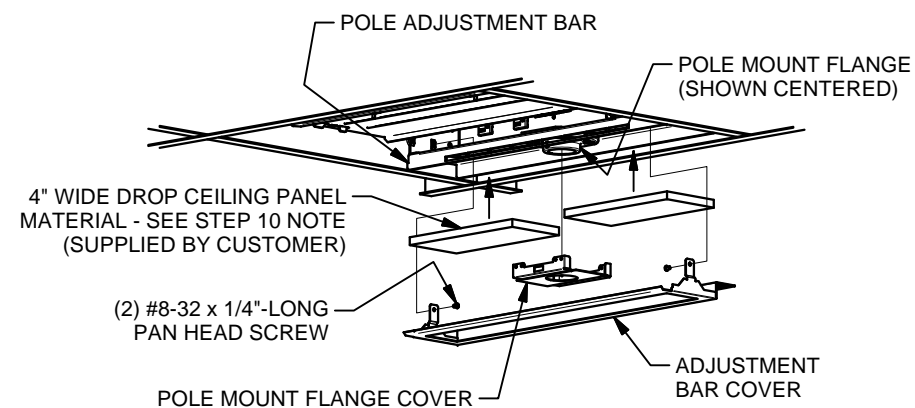


DOOR IS REMOVABLE.
 (a) PUSH DOOR UP TOWARDS CEILING AND
 (b) PUSH TOWARDS DROP-DOWN
 RACK-MOUNT CARRIAGE - REVERSE PROCEDURE
 TO INSTALL.

DISCONNECT SAFETY
 CABLE TO COMPLETELY
 REMOVE DOOR.

11. REMOVE CEILING BOX DOOR (SEE STEP 9), REMOVE (2) #8-32 SCREWS AND ADJUSTMENT BAR COVER. SUPPORT ADJUSTMENT BAR COVER WHILE REMOVING SCREWS. POLE MOUNT FLANGE COVER IS NOT FASTENED AND JUST SLIPS OUT. INSTALL (2) 4" WIDE (SEE NOTE) DROP CEILING PANELS MATERIAL (SUPPLIED BY CUSTOMER) INTO POLE ADJUSTMENT BAR. CUT LENGTH AS NEEDED BASED ON POLE MOUNT POSITION.

NOTE: 4" x 9" PANEL SIZE IS ONLY VALID WHEN POLE MOUNT FLANGE IS CENTERED ON THE POLE ADJUSTMENT BAR (DEFAULT FACTORY INSTALLED LOCATION). IF POLE MOUNT IS RELOCATED PANELS WILL NEED TO BE CUT-TO-FIT.



205 Westwood Ave, Long Branch, NJ 07740
 Phone: 866-94 BOARDS (26273) / (732)-222-1511
 Fax: (732)-222-7088 | E-mail: sales@touchboards.com

FSR Inc.

244 Bergen Boulevard, Woodland Park, NJ 07424
 Phone: 973.785.4347 - Fax: 973.785.4207
 Web: www.fsrinc.com - E-mail: sales@fsrinc.com

FSR

CB-224P/SP INSTALLATION INSTRUCTIONS

244 Bergen Boulevard, Woodland Park, NJ 07424, Phone: 973.785.4347 - Fax: 973.785.4207

1. INSTALL CB-224P/SP TO A STRUCTURAL CEILING ABLE TO SUPPORT FIVE TIMES THE NOTED GROSS WEIGHT. USE APPROPRIATE MOUNTING METHODS BASED ON LOCAL BUILDING CODES. INSTALL SAFETY CABLE AS REQUIRED BY LOCAL BUILDING CODES. ROUTE CONDUITS TO BOX AS REQUIRED.

NOTE: MAXIMUM GROSS WEIGHT - 125 LBS

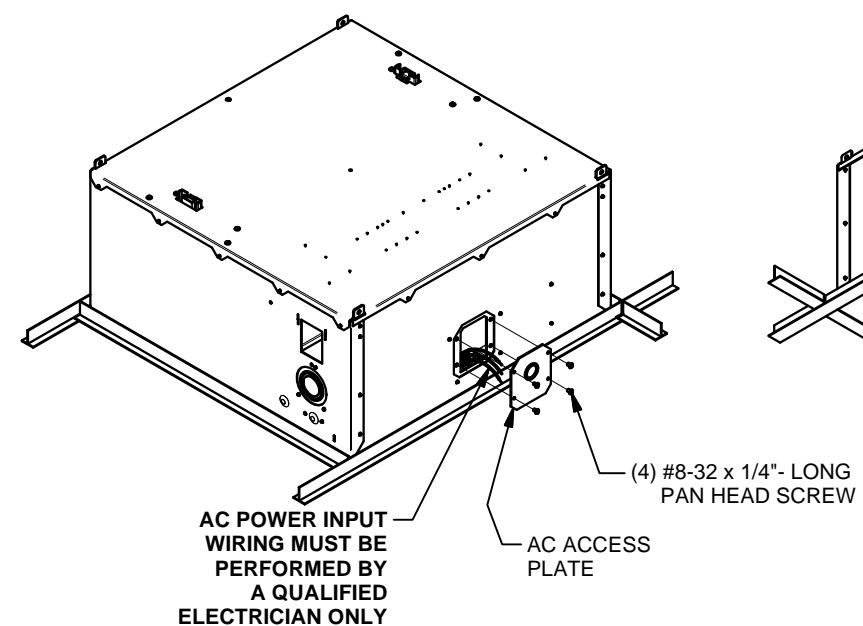
NOTE: THREADED ROD IS THE RECOMMENDED CEILING BOX MOUNTING SUSPENSION (SHOWN), TO MINIMIZE FIXTURE TILTING DUE TO THE WEIGHT OF ANY SUSPENDED EQUIPMENT.

14 GA. STEEL TIE WIRE MAY BE USED (SUPPLIED BY CUSTOMER OR USE FSR KIT) AT 70,000 PSI TENSILE STRENGTH OR BETTER AS REQUIRED BY BUILDING CODES. NOTE: WIRES SUPPORT CEILING BOX, AND ARE **NOT** SAFETY CABLES

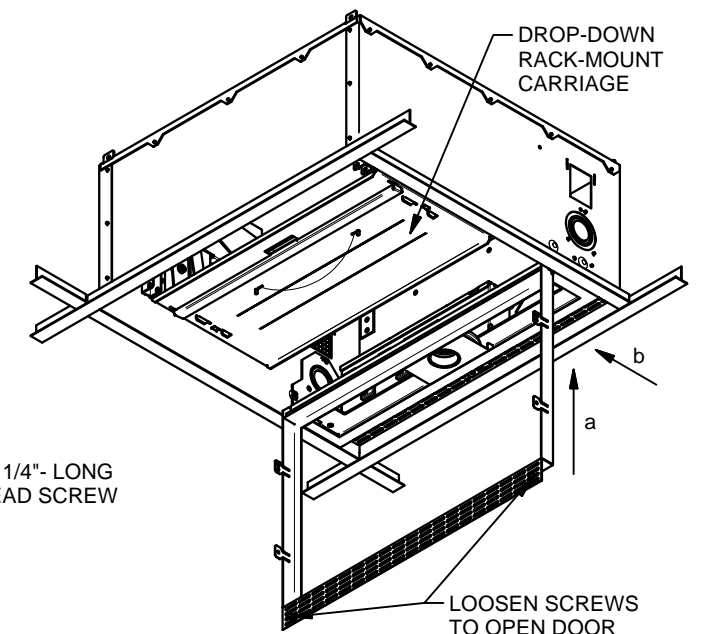
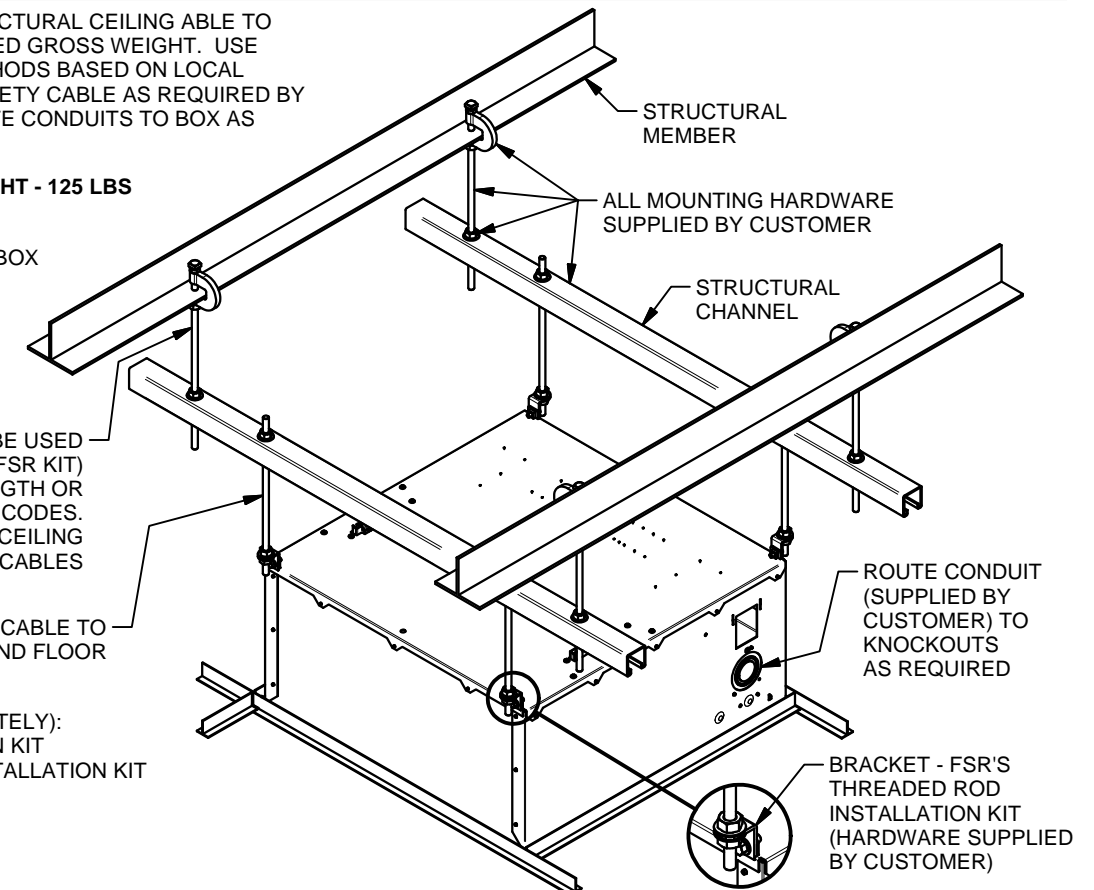
THREADED ROD OR CABLE TO BE PLUMB WITH CEILING AND FLOOR

AVAILABLE KITS (SOLD SEPARATELY):
 CB-MNT1 - CABLE INSTALLATION KIT
 CB-THRD - THREADED ROD INSTALLATION KIT

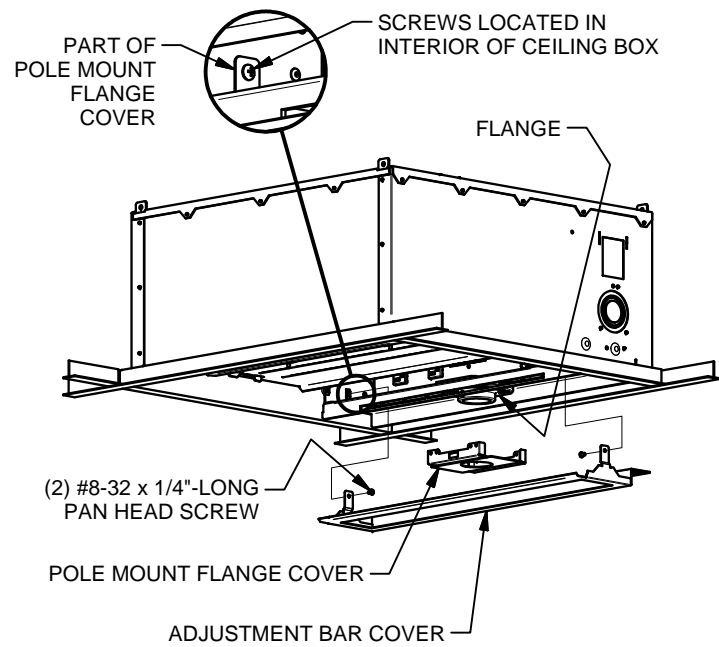
2. TO INSTALL AC MAIN POWER INTO THE UNIT, REMOVE THE AC ACCESS PLATE BY REMOVING (4) #8-32 SCREWS, AS SHOWN. WIRING MUST BE PERFORMED BY A QUALIFIED ELECTRICIAN ONLY. WIRING MUST BE DONE IN ACCORDANCE WITH ALL NEC AND OTHER APPLICABLE CODES. RE-INSTALL AC ACCESS PLATE AFTER AC WIRING IS COMPLETE.



3. IF POLE MOUNT FLANGE IS TO BE LEFT AT FACTORY POSITION, PROCEED TO STEP 7. IF FLANGE IS TO BE RE-POSITIONED, OR IF INSTALLING FAN KIT, REMOVE CEILING BOX DOOR. LOOSEN SCREWS TO OPEN DOOR. (a) PUSH DOOR UP TOWARDS CEILING AND (b) PUSH TOWARDS DROP-DOWN RACK-MOUNT CARRIAGE - REVERSE PROCEDURE TO INSTALL. DISCONNECT SAFETY CABLE TO COMPLETELY REMOVE DOOR.

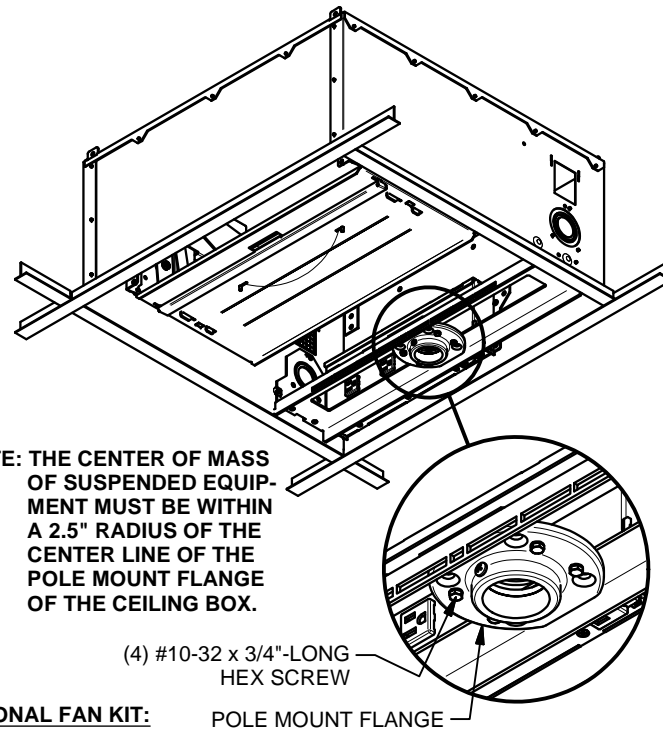


4. REMOVE (2) #8-32 SCREWS AS SHOWN, AND REMOVE ADJUSTMENT BAR COVER. SUPPORT ADJUSTMENT BAR COVER WHILE REMOVING SCREWS. POLE MOUNT FLANGE COVER IS NOT FASTENED AND JUST SLIPS OUT.



5. DETERMINE LOCATION OF POLE MOUNT FLANGE. LOOSEN (4) #10-32 HEX SCREWS AND SLIDE POLE MOUNT FLANGE TO NEW POSITION AND TIGHTEN HEX SCREWS. IF INSTALLING FAN KIT PROCEED TO STEP 6. RE-INSTALL POLE MOUNT FLANGE COVER, ADJUSTMENT BAR COVER AND CEILING BOX DOOR BACK INTO CEILING BOX BY REVERSING THEIR REMOVAL STEPS. PROCEED TO STEP 7.

NOTE: MAXIMUM PROJECTOR LOAD INCLUDING MOUNTED ACCESSORIES - 50LBS

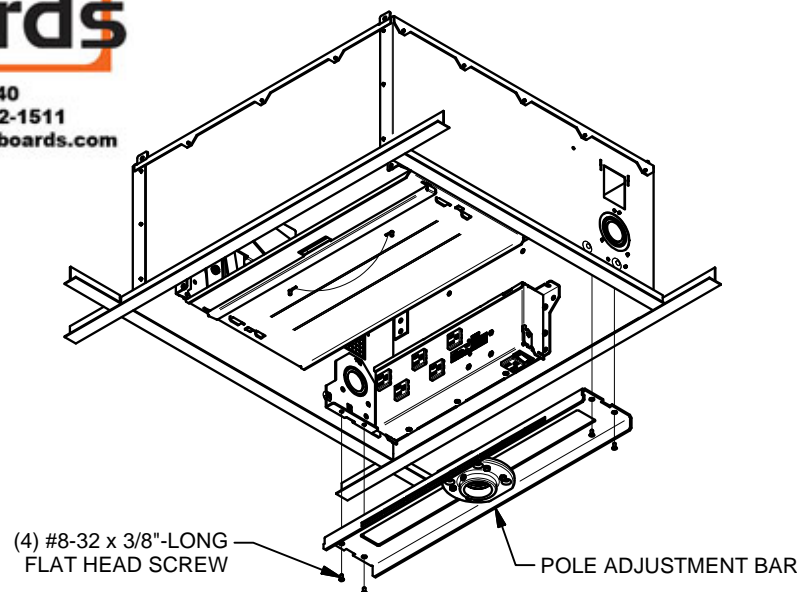


NOTE: THE CENTER OF MASS OF SUSPENDED EQUIPMENT MUST BE WITHIN A 2.5\"/>

INSTALLING OPTIONAL FAN KIT:

6. REMOVE (4) #8-32 SCREWS AS SHOWN, AND EXTRACT POLE ADJUSTMENT BAR. INSTALL FAN KIT PER INSTRUCTIONS. RE-INSTALL POLE ADJUSTMENT BAR, POLE MOUNT FLANGE COVER, ADJUSTMENT BAR COVER AND CEILING BOX DOOR BACK INTO CEILING BOX BY REVERSING THEIR REMOVAL STEPS. PROCEED TO STEP 7.

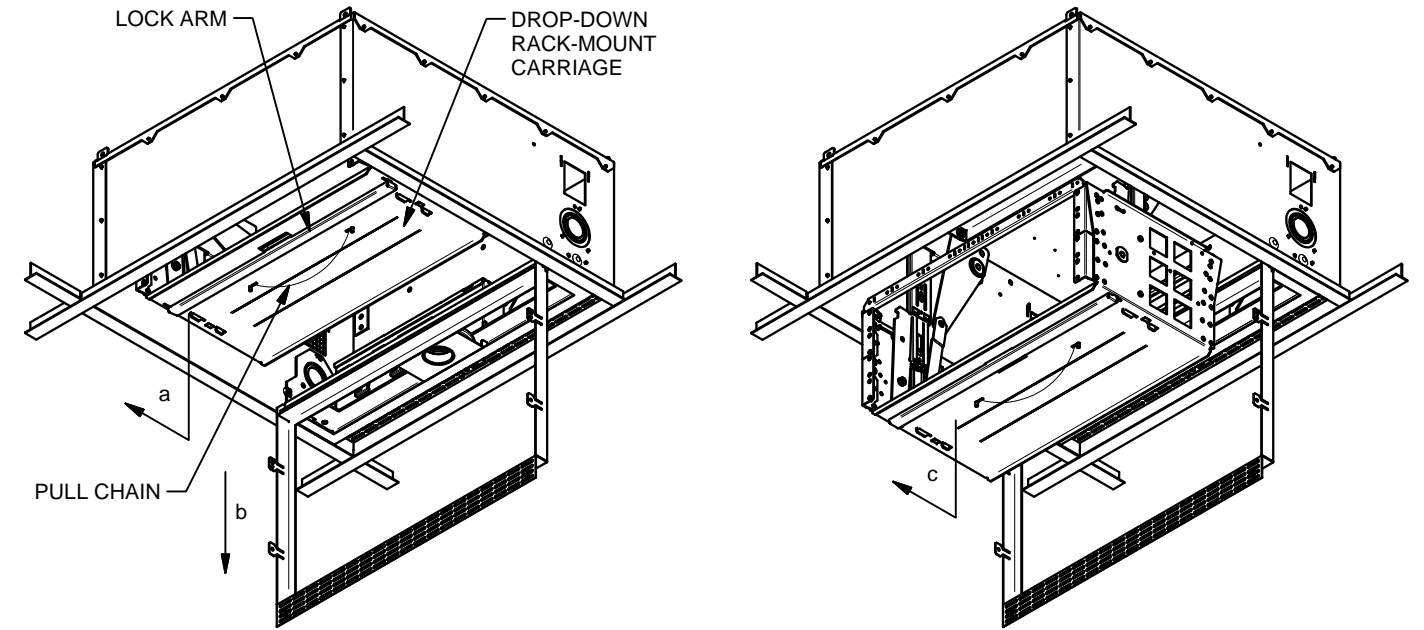
CAUTION: ONCE THE LAST SCREW IS REMOVED FROM THE POLE ADJUSTMENT BAR, IT CAN FALL OUT. HOLD POLE ADJUSTMENT BAR IN PLACE WHILE REMOVING SCREWS.



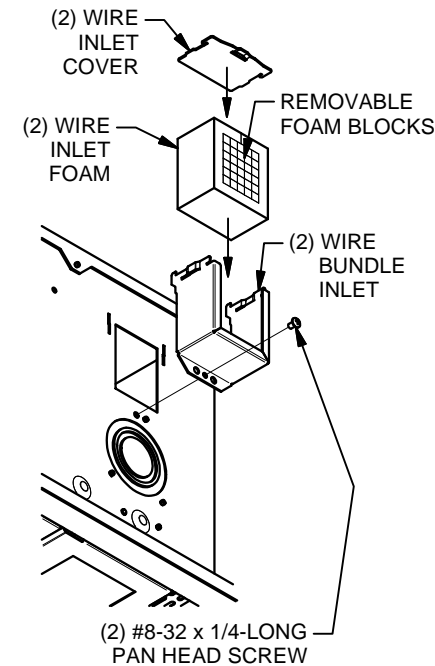
MOUNTING ELECTRONICS INSTRUCTIONS

7. PULL DOWN DROP-DOWN RACK-MOUNT CARRIAGE TO MOUNT ELECTRONICS. (a) PUSH LOCK ARM AWAY FROM POLE MOUNT AND (b) AND PULL DOWN ON CHAIN. ONCE THE DROP-DOWN CARRIAGE IS PULLED FULLY DOWN (c) AGAIN PUSH THE LOCK ARM AWAY FROM POLE MOUNT TO LOCK CARRIAGE IN THE 'DOWN' POSITION. REVERSE PROCEDURE TO RETRACT CARRIAGE BACK INTO CEILING BOX.

NOTE: MAXIMUM LOAD INSIDE CARRIAGE - 25 LBS

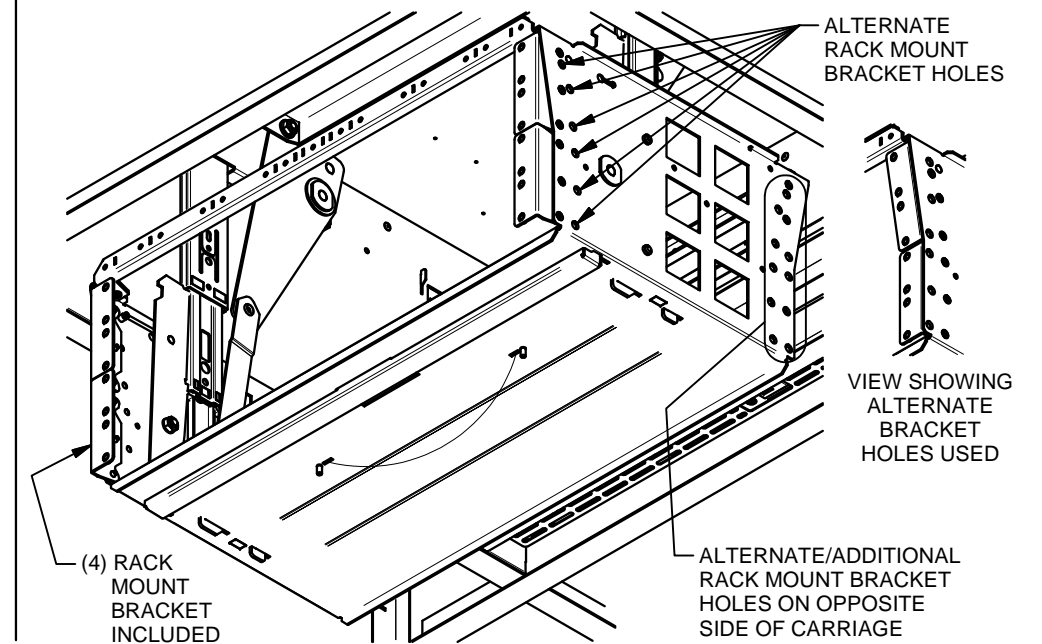


8. INSTALL WIRE BUNDLE INLET, WIRE INLET FOAM, AND WIRE INLET COVER TO SIDES OF BOX. REMOVE THE FOAM BLOCKS NECESSARY FOR THE WIRE BUNDLE EXITING THE BOX. PULL WIRES TO CEILING BOX THRU WIRE INLET OR CONDUIT AS REQUIRED.



9. INSTALL 1RU TO 4RU x 19\"/>

NOTE: MAXIMUM LOAD INSIDE CARRIAGE - 25 LBS



205 Westwood Ave, Long Branch, NJ 07740
 Phone: 866-94 BOARDS (26273) / (732)-222-1511
 Fax: (732)-222-7088 | E-mail: sales@touchboards.com