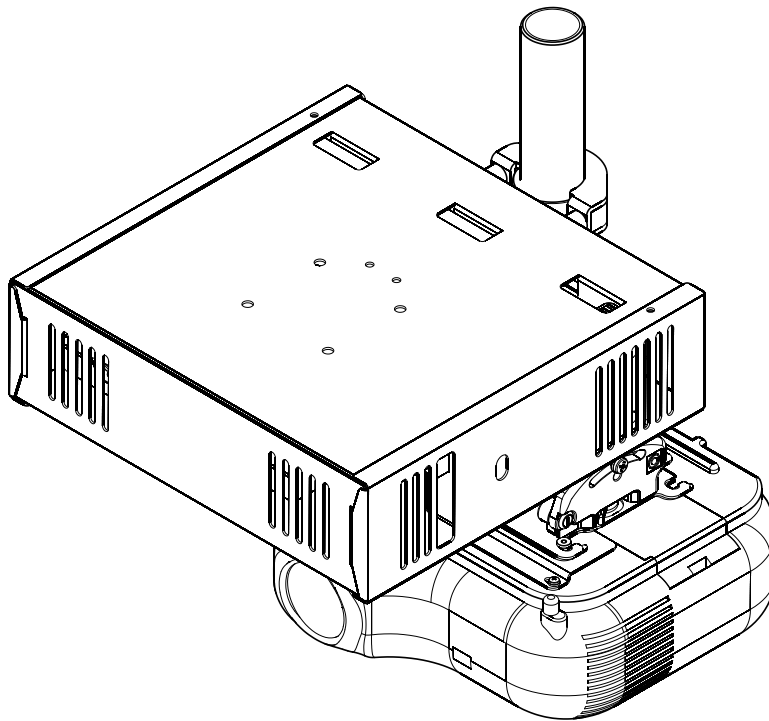

INSTALLATION INSTRUCTIONS



CPU Enclosure - Pipe Mount Accessory

DISCLAIMER

CSAV, Inc., and its affiliated corporations and subsidiaries (collectively, "CSAV"), intend to make this manual accurate and complete. However, CSAV makes no claim that the information contained herein covers all details, conditions or variations, nor does it provide for every possible contingency in connection with the installation or use of this product. The information contained in this document is subject to change without notice or obligation of any kind. CSAV makes no representation of warranty, expressed or implied, regarding the information contained herein. CSAV assumes no responsibility for accuracy, completeness or sufficiency of the information contained in this document.



WARNING: Failure to read, thoroughly understand, and follow all instructions can result in serious personal injury, damage to equipment, or voiding of factory warranty! It is the installer's responsibility to make sure all components are properly assembled and installed using the instructions provided.



WARNING: Failure to provide adequate structural strength for this component can result in serious personal injury or damage to equipment! It is the installer's responsibility to make sure the structure to which this component is attached can support five times the combined weight of all equipment. Reinforce the structure as required before installing the component.



WARNING: Exceeding the weight capacity can result in serious personal injury or damage to equipment! It is the installer's responsibility to make sure the combined weight of all components does not exceed the weight capacity of the mount.

- The weight capacity of the CMA-170 is 25 lbs (11.34 kg).

IMPORTANT WARNINGS AND CAUTIONS!

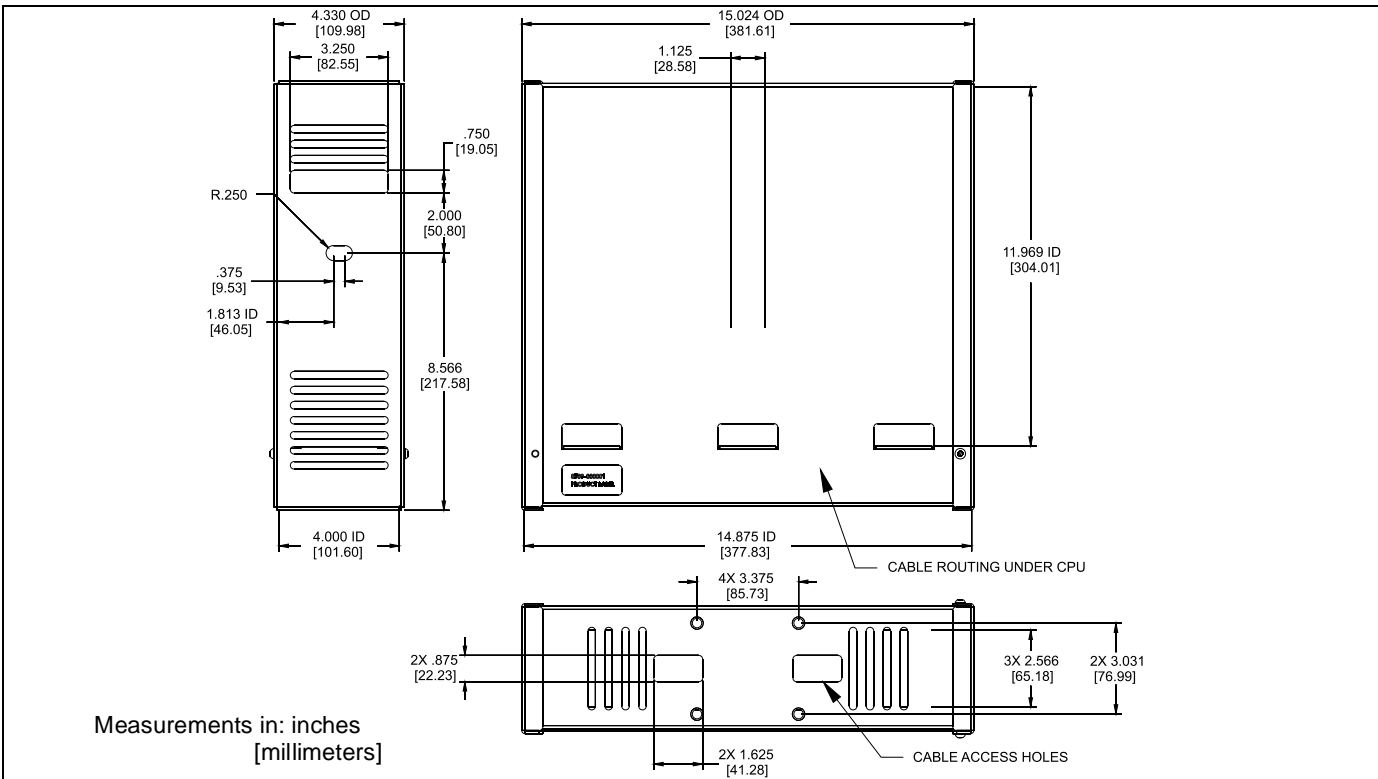


WARNING: A WARNING alerts you to the possibility of serious injury or death if you do not follow the instructions.



CAUTION: A CAUTION alerts you to the possibility of damage or destruction of equipment if you do not follow the corresponding instructions.

DIMENSIONS



LEGEND

	Tighten Fastener
	Apretar elemento de fijación
	Befestigungsteil festziehen
	Apertar fixador
	Serrare il fissaggio
	Bevestiging vastdraaien
Serrez les fixations	

	Pencil Mark
	Marcar con lápiz
	Stiftmarkierung
	Marcar com lápis
	Segno a matita
	Potloodmerkten
Marquage au crayon	

	Loosen Fastener
	Aflojar elemento de fijación
	Befestigungsteil lösen
	Desapertar fixador
	Allentare il fissaggio
	Bevestiging losdraaien
Desserrez les fixations	

	Drill Hole
	Perforar
	Bohrloch
	Fazer furo
	Praticare un foro
	Gat boren
Percez un trou	

	Phillips Screwdriver
	Destornillador Phillips
	Kreuzschlitzschraubendreher
	Chave de fendas Phillips
	Cacciavite a stella
	Kruiskopschroevendraaier
Tournevis à pointe cruciforme	

	Adjust
	Ajustar
	Einstellen
	Ajustar
	Regolare
	Afstellen
Ajuster	

	Open-Ended Wrench
	Llave de boca
	Gabelschlüssel
	Chave de bocas
	Chiave a punte aperte
	Steeksleutel
Clé à fourche	

	Remove
	Quitar
	Entfernen
	Remover
	Rimuovere
	Verwijderen
Retirez	

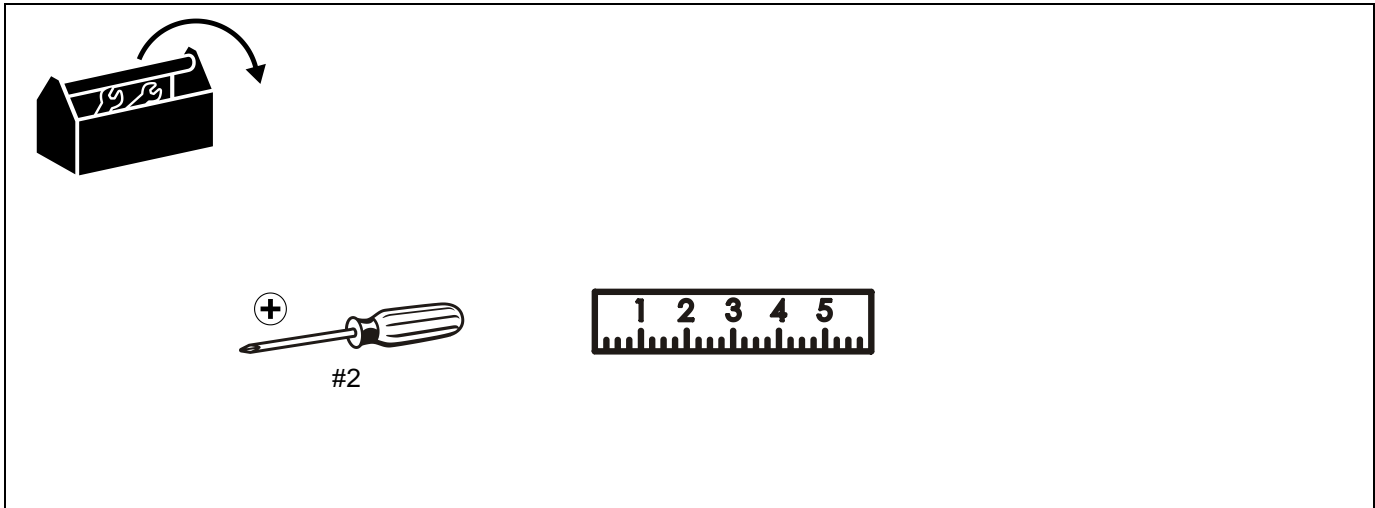
	By Hand
	A mano
	Von Hand
	Com a mão
	A mano
	Met de hand
À la main	

	Optional
	Opcional
	Optional
	Opcional
	Opzionale
	Optie
En option	

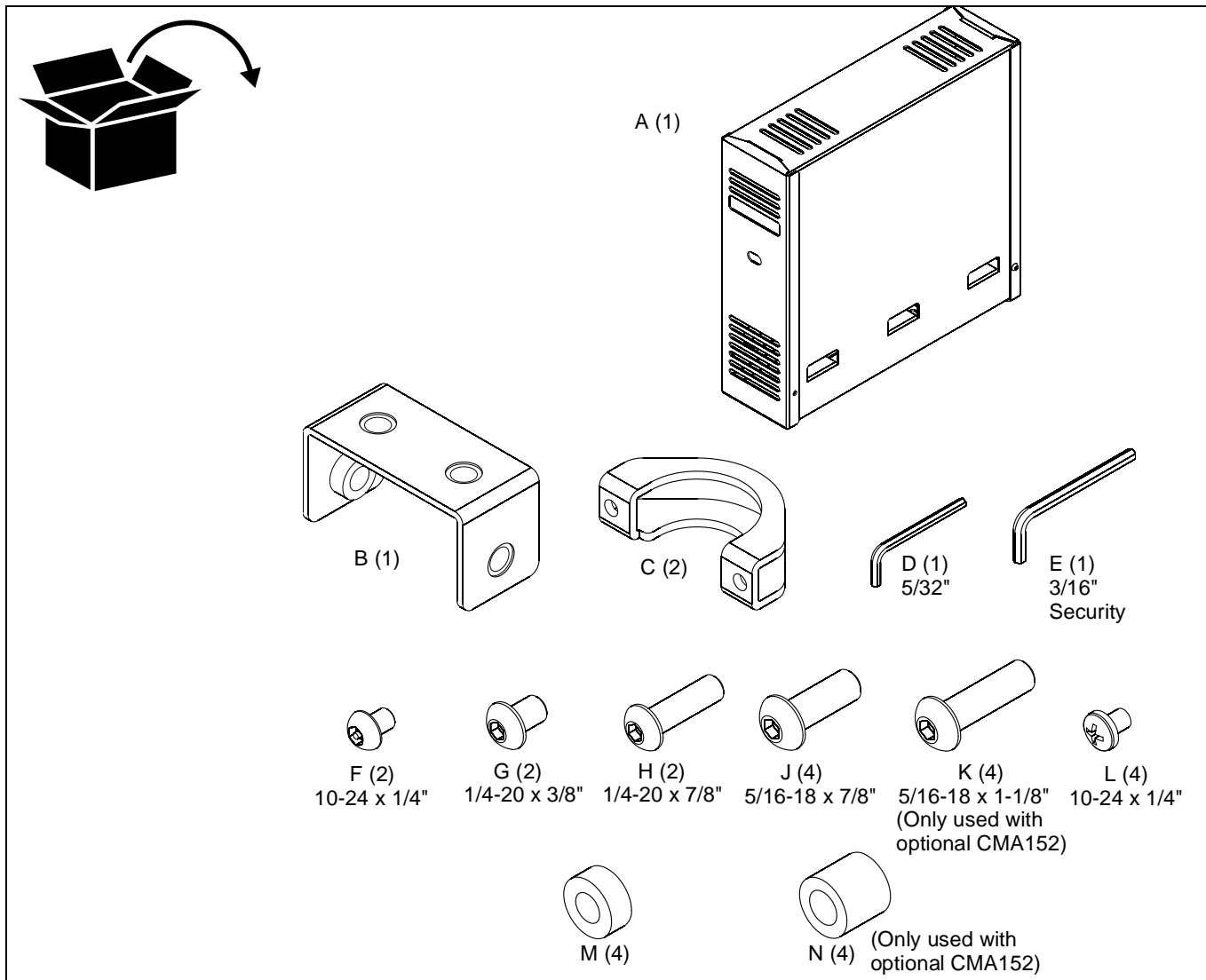
	Hex-Head Wrench
	Llave de cabeza hexagonal
	Sechskantschlüssel
	Chave de cabeça sextavada
	Chiave esagonale
	Zeskantsleutel
Clé à tête hexagonale	

	Security Wrench
	Llave de seguridad
	Sicherheitsschlüssel
	Chave de segurança
	Chiave di sicurezza
	Veiligheidssleutel
Clé de sécurité	

TOOLS REQUIRED FOR INSTALLATION



PARTS



Assembling CMA-170

1. Swing open the CMA-170 end door. (See Figure 1)
2. Lift end door up and out of top tab. (See Figure 1)

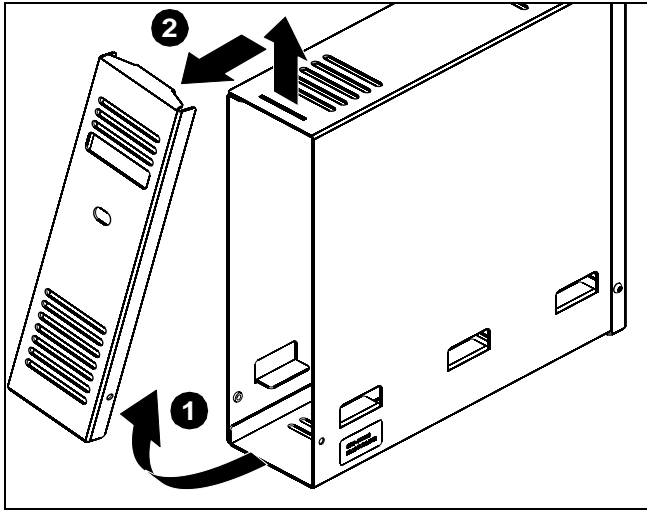


Figure 1

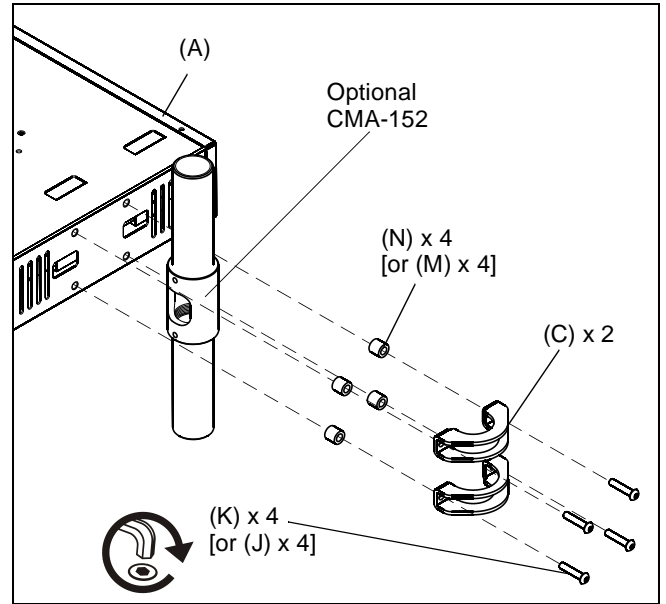


Figure 2

3. Remove hardware bag from inside CMA-170.

Installing CMA-170



WARNING: Failure to provide adequate structural strength for this component can result in serious personal injury or damage to equipment! It is the installer's responsibility to make sure the structure to which this component is attached can support five times the combined weight of all equipment. Reinforce the structure as required before installing the component.

NOTE: The projector/display must be removed from the mount before installing this accessory.

Installing CMA-170 Horizontally to Projector Mount

1. Attach CMA-170 to projector pipe mount using two pipe brackets (C), four 5/16-18 x 1-1/8" button head cap screws (K) and nylon spacers (N). (See Figure 2)

NOTE: If NOT using the optional CMA-152, instead use four 5/16-18 x 7/8" button head cap screws (J) and nylon spacers (M). (See Figure 2)

Installing CMA-170 Vertically to Projector Mount

1. Attach CMA-170 to projector pipe mount using two pipe brackets (C), four 5/16-18 x 1-1/8" button head cap screws (K) and nylon spacers (N). (See Figure 3)

NOTE: If NOT using the optional CMA-152, instead use four 5/16-18 x 7/8" button head cap screws (J) and nylon spacers (M). (See Figure 3)

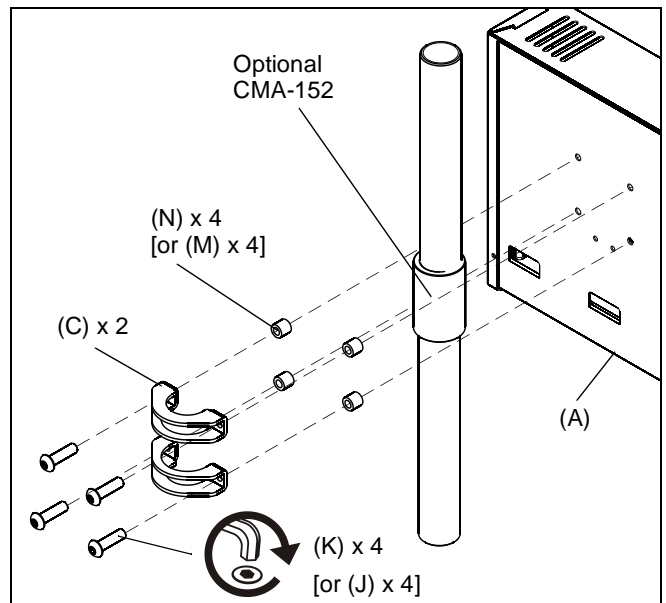


Figure 3

Installing CMA-170 to Display

NOTE: A PCS/MCS bracket must be used to attach a display to the CMA-170.

1. Attach bracket (B) to CMA-170 using two 1/4-20 x 7/8" button head cap screws (H) from INSIDE CMA-170. (See Figure 4)

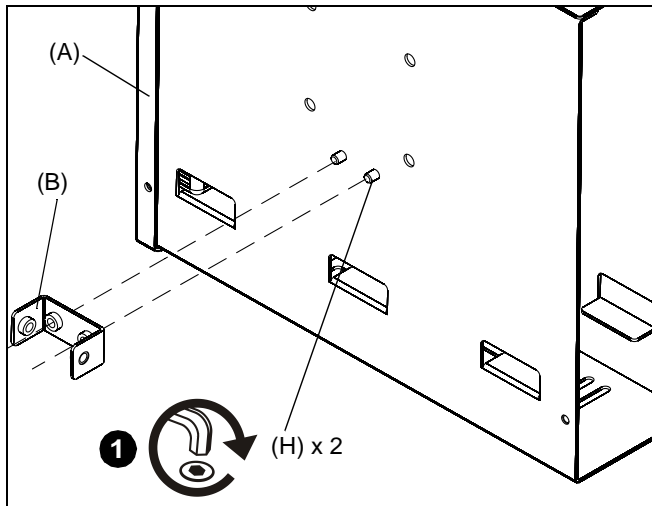


Figure 4

2. Attach CMA-170 to PCS/MCS bracket using two 1/4-20 x 3/8" button head cap screws (G). (See Figure 5)

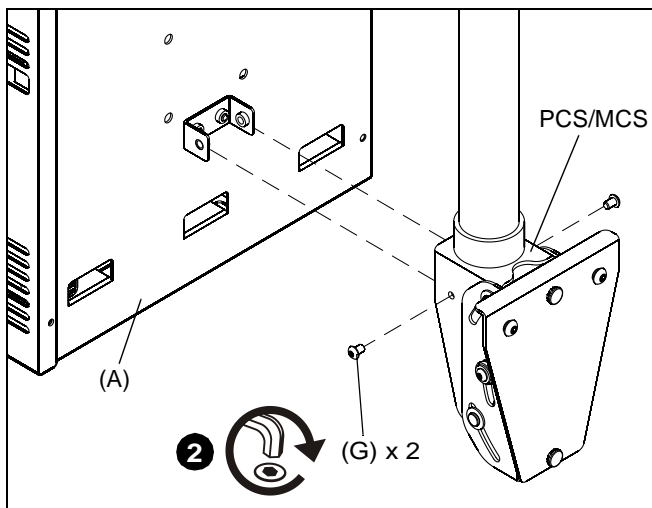


Figure 5

3. Attach CMA-170 to display pipe mount using one pipe bracket (C), two 5/16-18 x 7/8" button head cap screws (J) and nylon spacers (M). (See Figure 6)

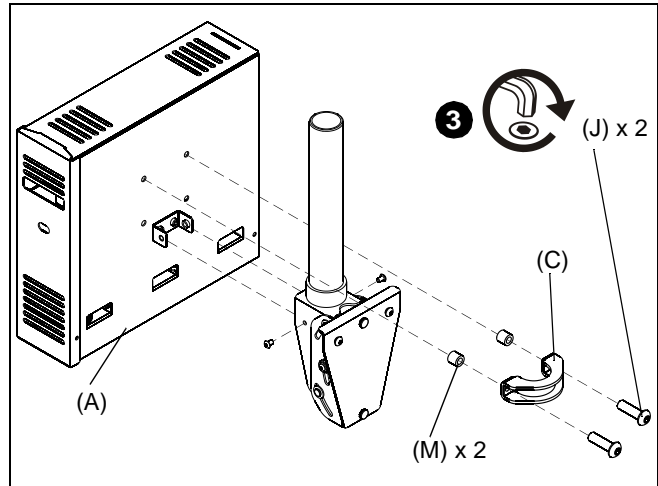


Figure 6

Reattaching Projector/Display

1. Reattach the pipe to the ceiling mount following instructions included with the mount.
2. Reattach the projector/display to the mount following instructions included with the mount.

Installing CPU

1. Install the CPU into the CMA-170 and place it on the six shelves located in the CMA-170. (See Figure 7)

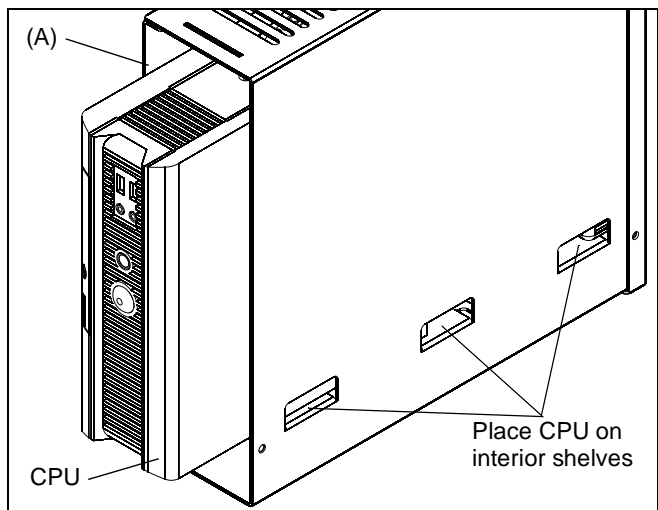


Figure 7

NOTE: In a sample installation, install components into the CMA-170 in the following order (See Figure 8):

1. CPU;
2. Remote control;
3. Cables should be installed and run through the cable access holes;
4. Power supply.

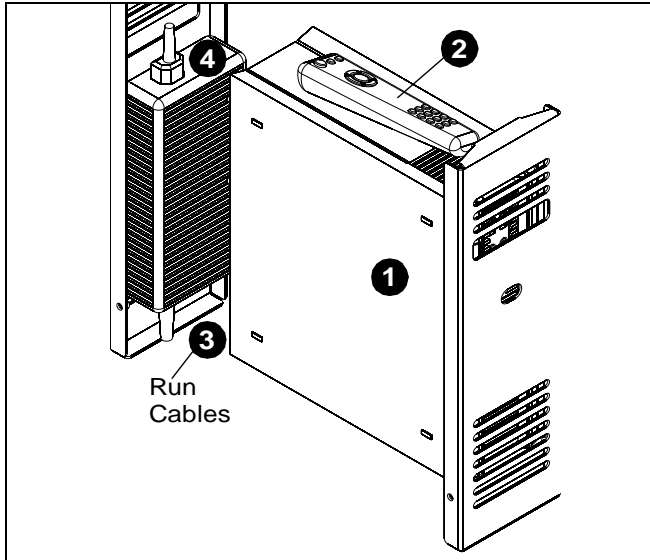


Figure 8

NOTE: Phillips head screws (L) are provided if security screws are not required. Security screws can also be removed from the other CMA-170 door and replaced with the Phillips head screws (L).

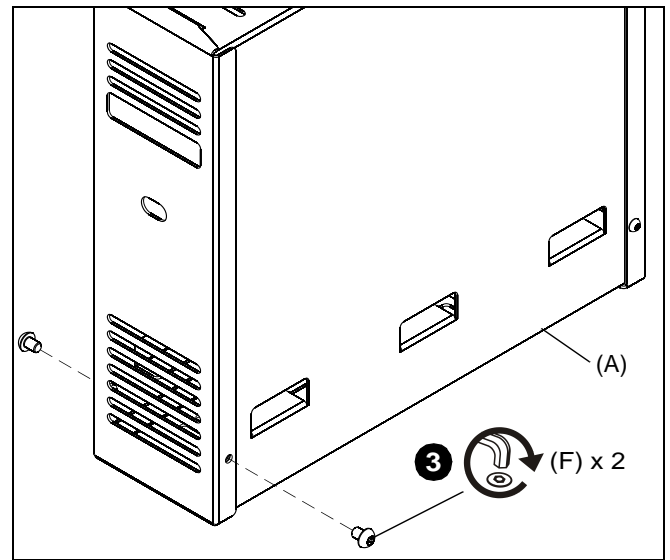


Figure 10

Securing CMA-170

1. Add the door to CMA-170 by placing the top tab into the slot on top of CMA-170. (See Figure 9)
2. Swing the door bottom into place. (See Figure 9)

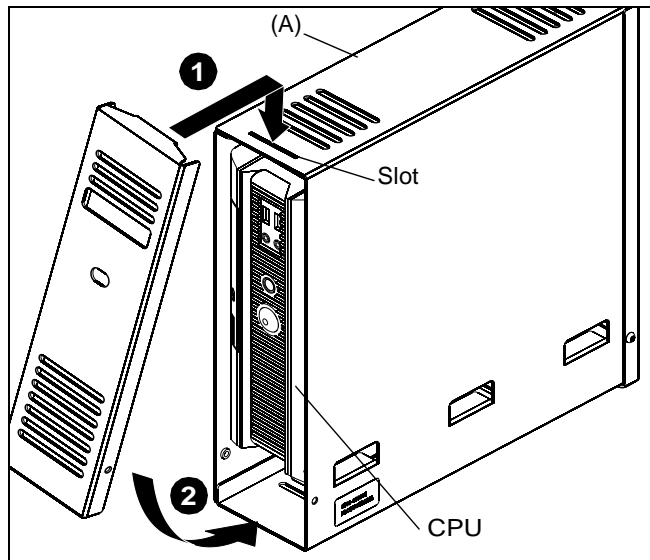


Figure 9

3. Fasten CMA-170 door closed with two 10-24 x 1/4" button head cap security screws (F). (See Figure 10)



8803-000081
©2007 Chief Manufacturing
www.chiefmfg.com
03/07

USA/International	A 8401 Eagle Creek Parkway, Savage, MN 55378 P 800.582.6480 / 952.894.6280 F 877.894.6918 / 952.894.6918
Europe	A Fellenoord 130 5611 ZB EINDHOVEN, The Netherlands P +31 (0)40 2668620 F +31 (0)40 2668615
Asia Pacific	A Room 30I, Block D, Lily YinDu International Building LuoGang, BuJi Town, Shenzhen, CHINA. Post Code: 518112 深圳市布吉罗岗百合银都国际大厦D栋30I P +86-755-8996 9226 ; 8996 9236 ; 8996 9220 F +86-755-8996 9217